

US00D387744S

# United States Patent [19]

Kirchhoff et al.

[11] Patent Number: **Des. 387,744**

[45] Date of Patent: **\*\*Dec. 16, 1997**

[54] **KEYBOARD SUPPORT ASSEMBLY**

5,190,387 3/1993 Auth ..... 400/717  
5,413,294 5/1995 Greenquist ..... 400/717 X

[75] Inventors: **Kenneth J. Kirchhoff**, Gem Lake;  
**Robert J. Wolf**, Woodbury, both of  
Minn.; **Lawrence J. Fenske**; **Manfred**  
**W. Suhr**, both of Oregon, Wis.

**OTHER PUBLICATIONS**

Brochure by Waterloo Furniture Components, "Introducing  
Swinglift™ A New Ergonomic Design For Height Adjust-  
able Work Surfaces".

[73] Assignee: **Minnesota Mining and**  
**Manufacturing Company**, St. Paul,  
Minn.

*Primary Examiner*—Freda Nunn  
*Attorney, Agent, or Firm*—Gary L. Griswold; Walter N.  
Kirn; William L. Huebsch

[\*\*] Term: **14 Years**

[57] **CLAIM**

[21] Appl. No.: **50,543**

The ornamental design for a keyboard support assembly, as  
shown and described.

[22] Filed: **Jan. 16, 1996**

**DESCRIPTION**

[51] LOC (6) Cl. .... **14-02**

[52] U.S. Cl. .... **D14/114; D14/115**

[58] **Field of Search** ..... D14/100, 114,  
D14/113; 248/918-924, 442.2, 441, 1, 174,  
121, 447.2, 118.1; D6/510, 511, 491; D7/550;  
D19/75, 83, 92; 211/1, 60.1, 86, 88, 90,  
97, 98, 104; 312/208.1, 208.2, 208.4, 281,  
282; 400/717; 108/93

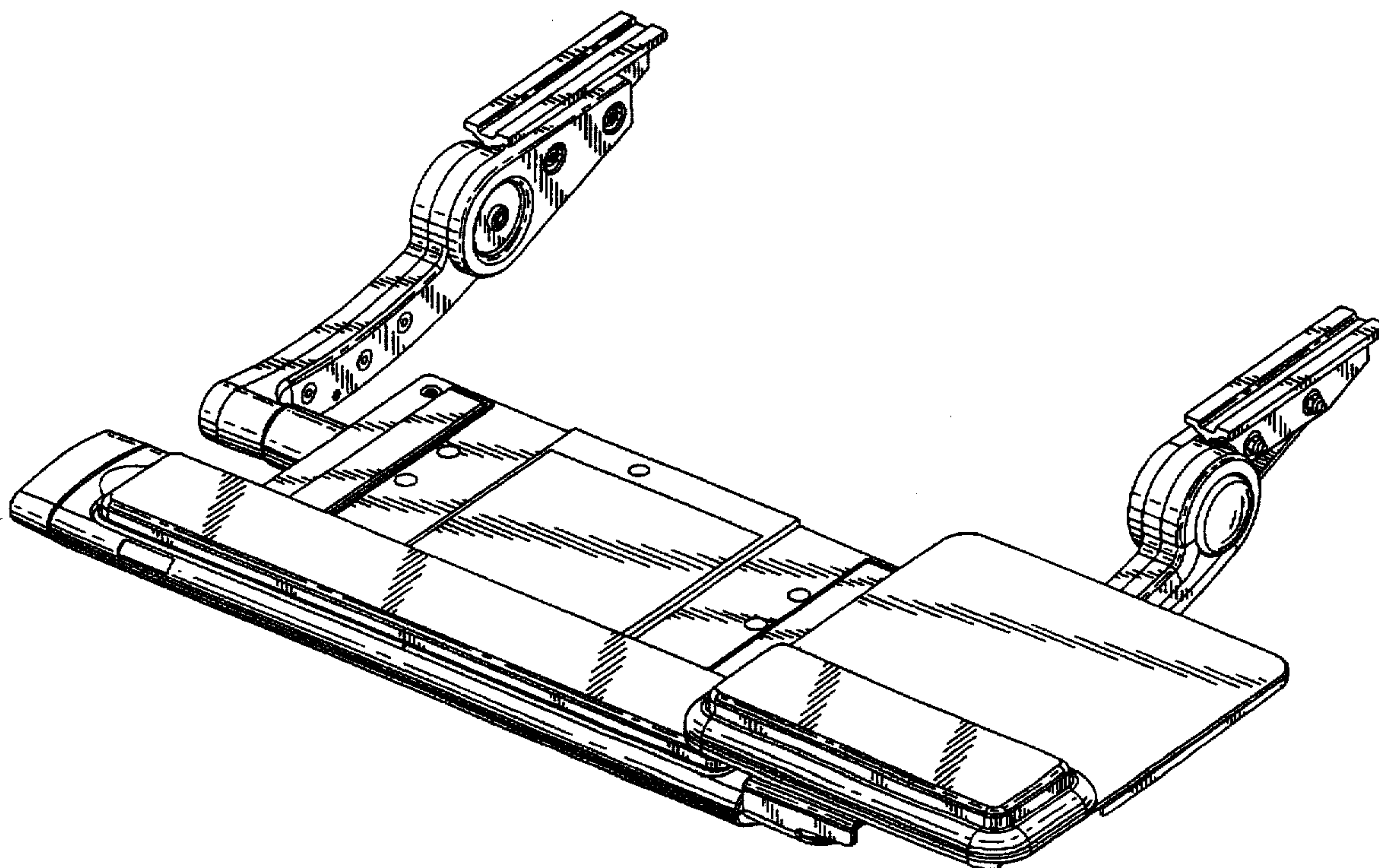
FIG. 1 is a top front and right side isometric view of the  
keyboard support assembly showing our new design;  
FIG. 2 is a top view of the keyboard support assembly  
illustrated in FIG. 1;  
FIG. 3 is a bottom view of the keyboard support assembly  
illustrated in FIG. 1;  
FIG. 4 is a front elevational view of the keyboard support  
assembly illustrated in FIG. 1;  
FIG. 5 is a rear elevational view of the keyboard support  
assembly illustrated in FIG. 1;  
FIG. 6 is a right side elevational view of the keyboard  
support assembly illustrated in FIG. 1; and,  
FIG. 7 is a left side elevational view of the keyboard support  
assembly illustrated in FIG. 1.

[56] **References Cited**

**U.S. PATENT DOCUMENTS**

|            |         |                |       |           |
|------------|---------|----------------|-------|-----------|
| D. 344,652 | 3/1994  | Hatcher        | ..... | D14/114 X |
| D. 357,910 | 5/1995  | Newhouse       | ..... | D14/114   |
| 3,830,352  | 8/1974  | Kolpek         | ..... | 197/186   |
| 4,616,798  | 10/1986 | Smeenge et al. | ..... | 248/281   |
| 4,625,657  | 12/1986 | Little et al.  | ..... | 108/93    |
| 4,644,875  | 2/1987  | Watt           | ..... | 108/93    |

**1 Claim, 5 Drawing Sheets**



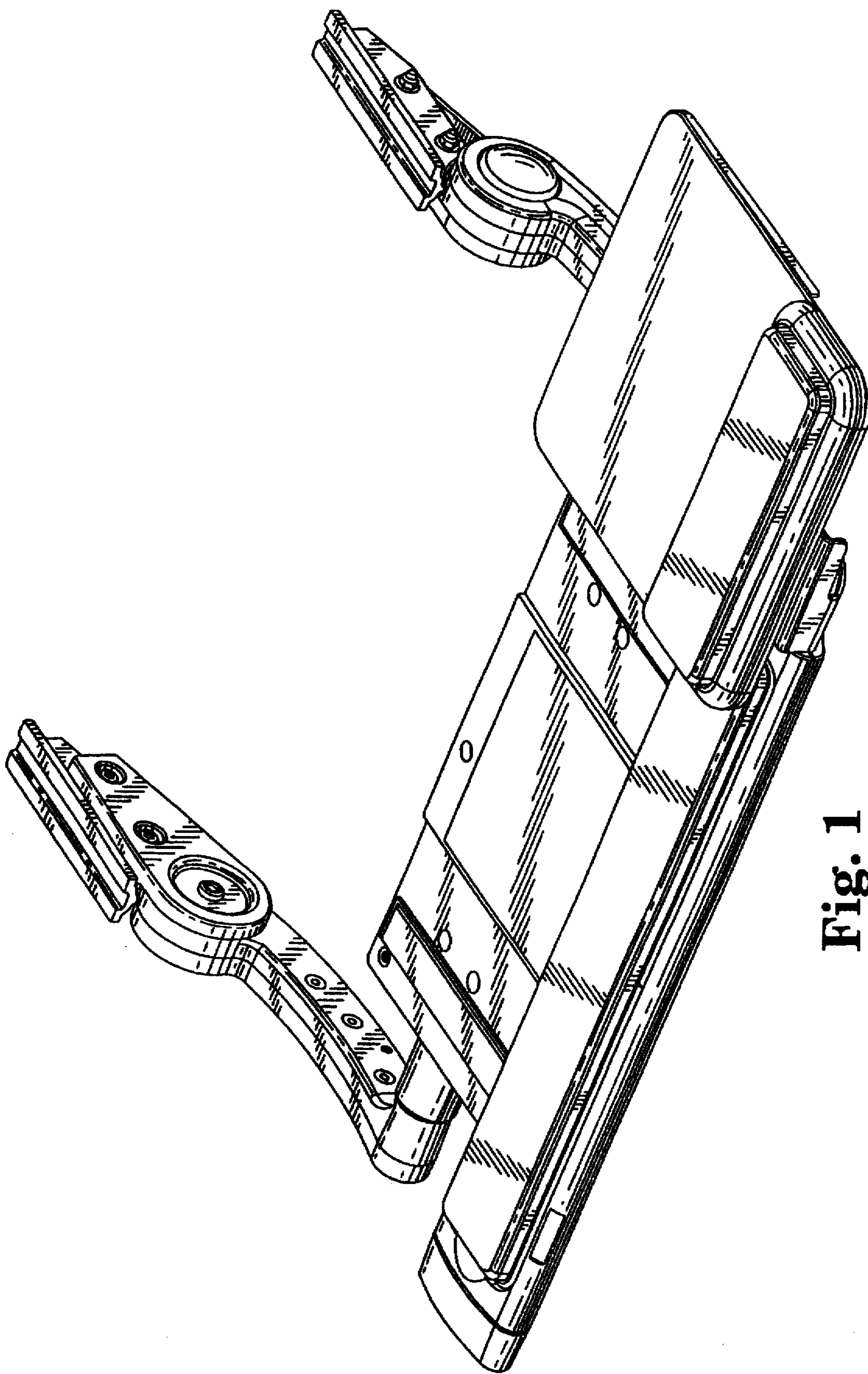


Fig. 1



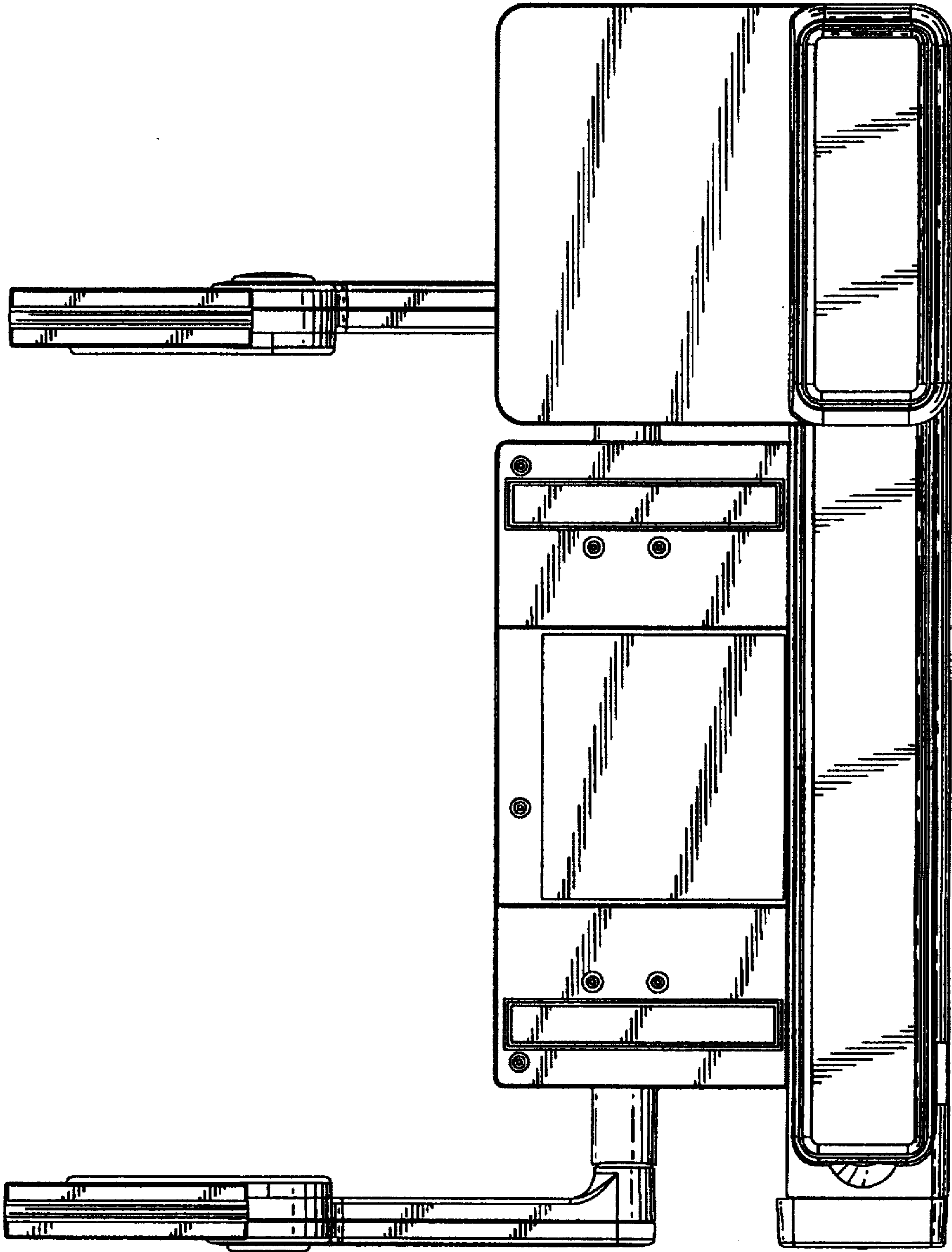


Fig. 2

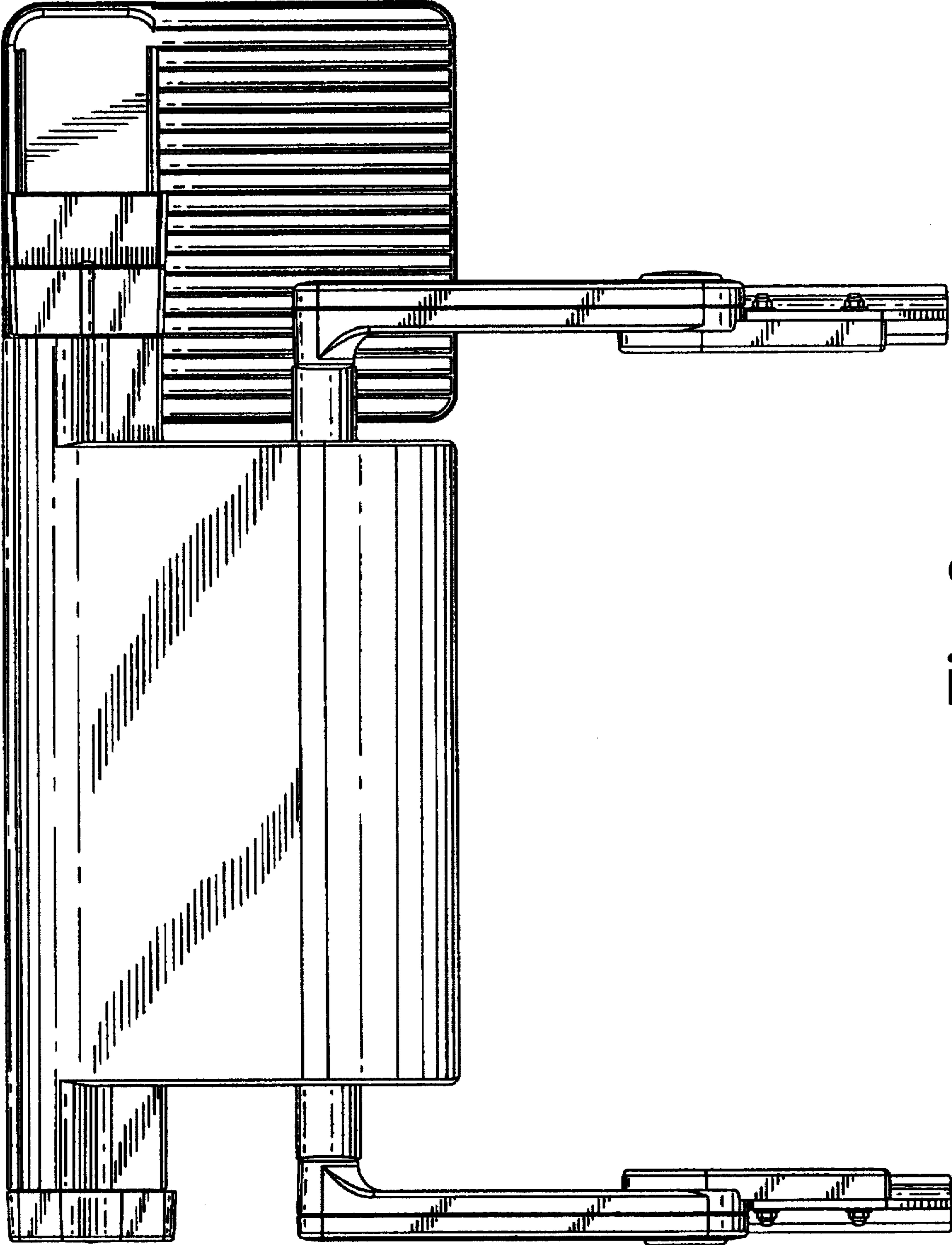


Fig. 3

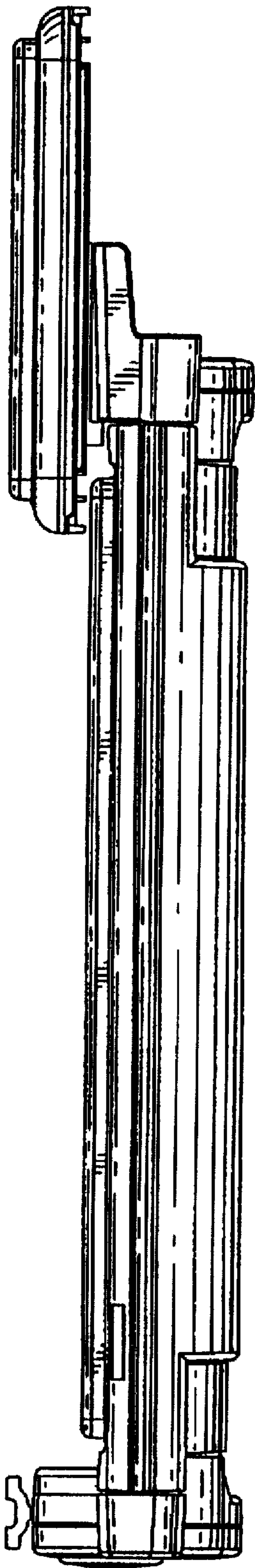


Fig. 4

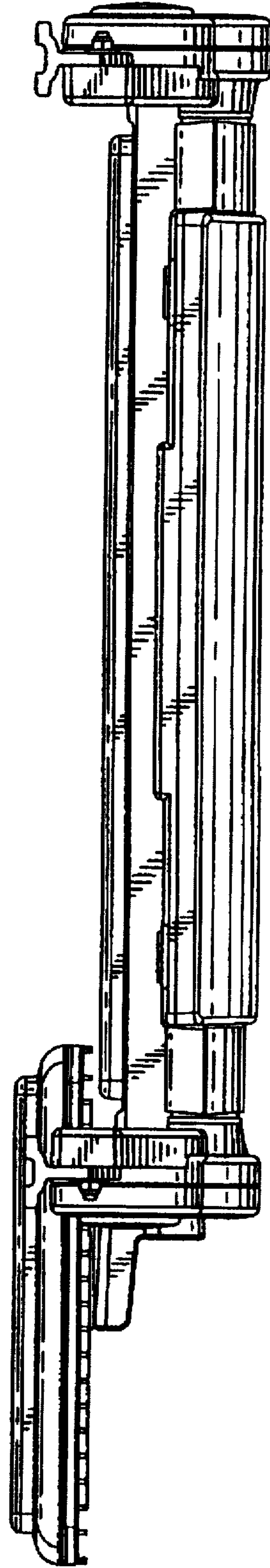
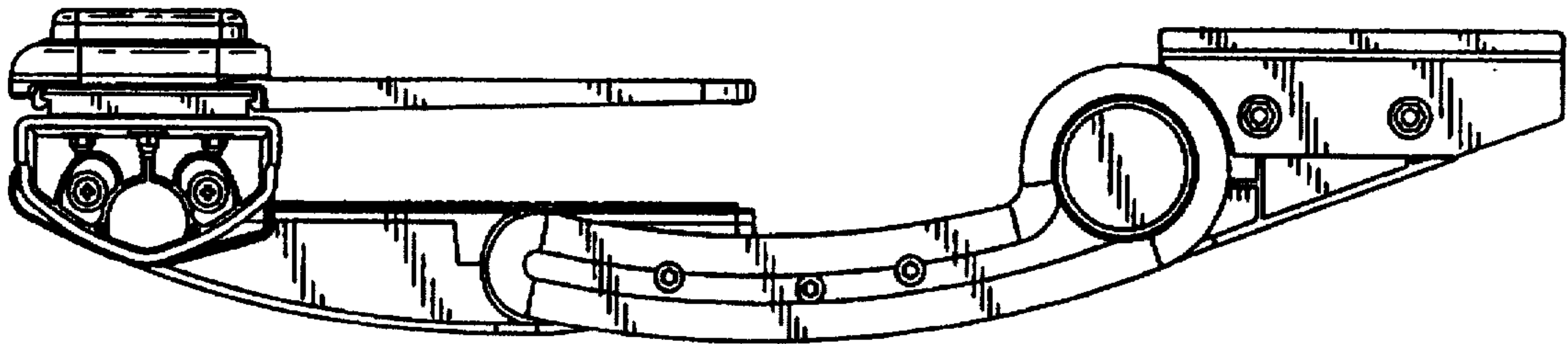
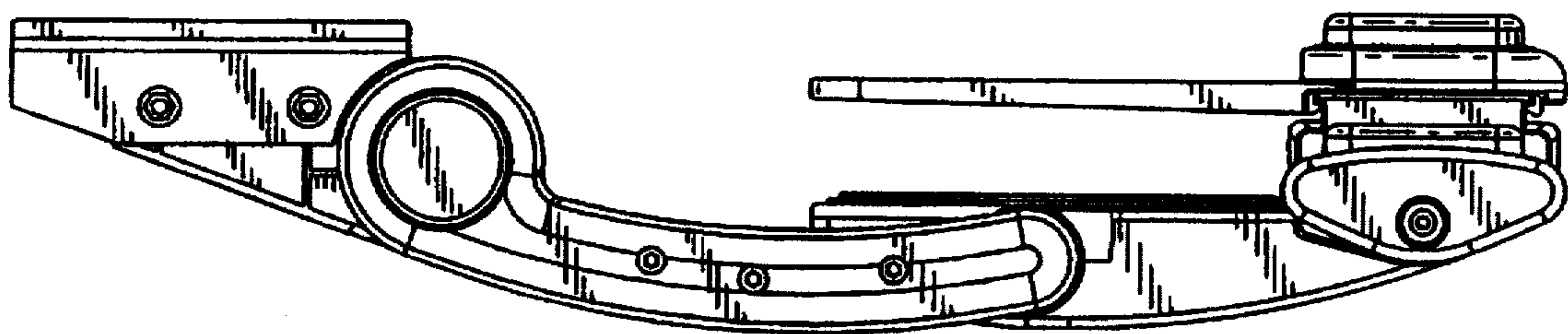


Fig. 5



**Fig. 6**



**Fig. 7**