



US00D387741S

# United States Patent [19] Lain

[11] Patent Number: Des. 387,741

[45] Date of Patent: \*\*Dec. 16, 1997

[54] EXTERNAL DRIVE BOX

[76] Inventor: Kou-tong Lain, No. 68-2, Pei Tou Tzu, Tanshui Chen, Taipei Hsien, Taiwan

[\*\*] Term: 14 Years

[21] Appl. No.: 61,394

[22] Filed: Oct. 23, 1996

[51] LOC (6) Cl. .... 14-02

[52] U.S. Cl. .... D14/109

[58] Field of Search ..... D14/100, 102, D14/107-109; D13/162, 184, 199; D6/432, 436, 445, 448; 312/208.1, 254, 292; 360/99.12; 361/690-696

[56] **References Cited**

**U.S. PATENT DOCUMENTS**

- D. 308,047 5/1990 Aderman et al. .... D14/100
- D. 343,388 1/1994 Mousa ..... D14/100

Primary Examiner—Freda Nunn  
Attorney, Agent, or Firm—Morton J. Rosenberg; David I. Klein

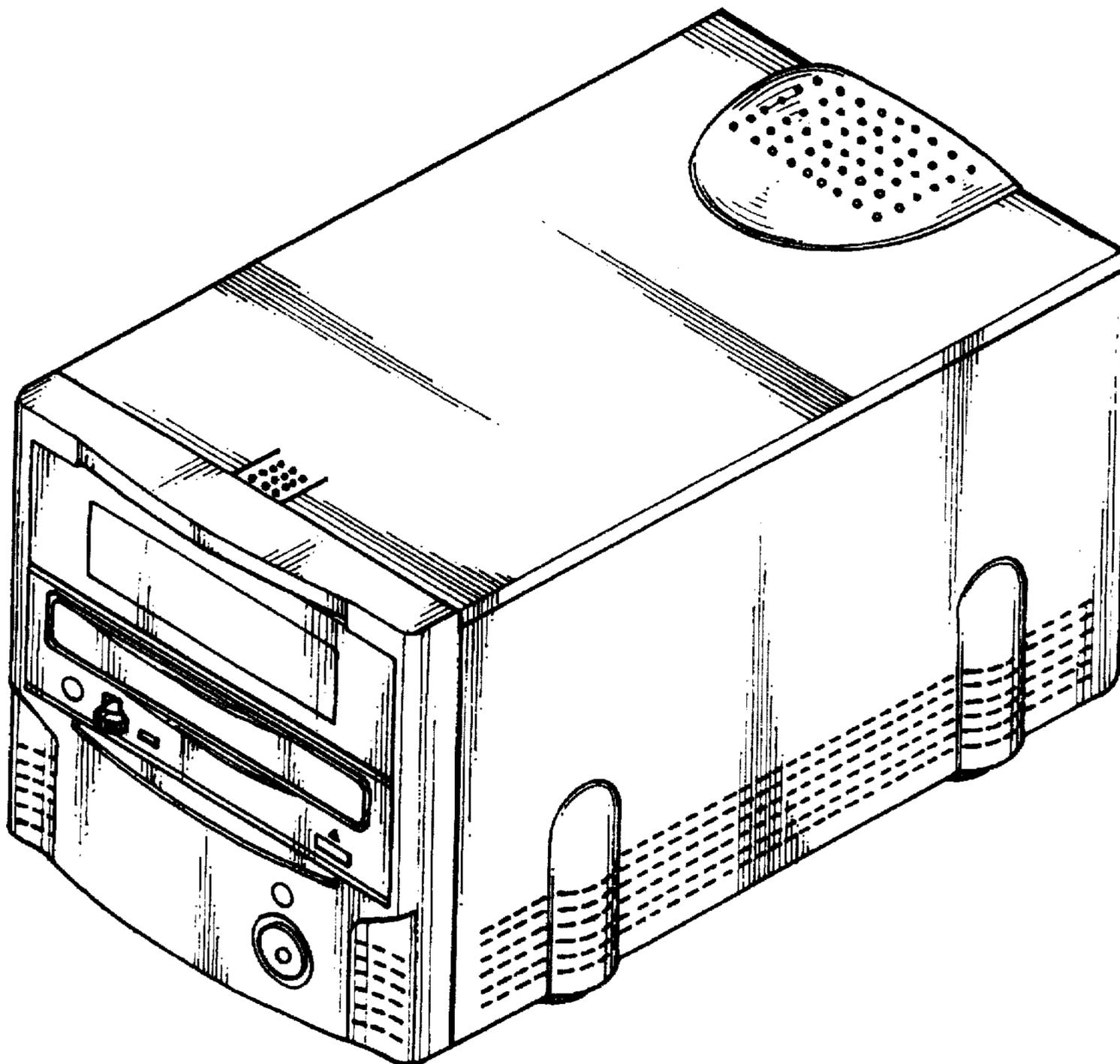
[57] **CLAIM**

The ornamental design for an external drive box, as shown and described.

**DESCRIPTION**

FIG. 1 is a front, right and top perspective view of an external drive box showing my new design;  
FIG. 2 is a front view thereof;  
FIG. 3 is a rear view thereof;  
FIG. 4 is a right side elevational view thereof;  
FIG. 5 is a left side elevational view thereof;  
FIG. 6 is a top plan view thereof; and,  
FIG. 7 is a bottom plan view thereof.  
The broken lines showing a rear wall and a bottom wall in FIGS. 3 and 7, respectively, are environmental only and form no part of the claimed design.

1 Claim, 4 Drawing Sheets



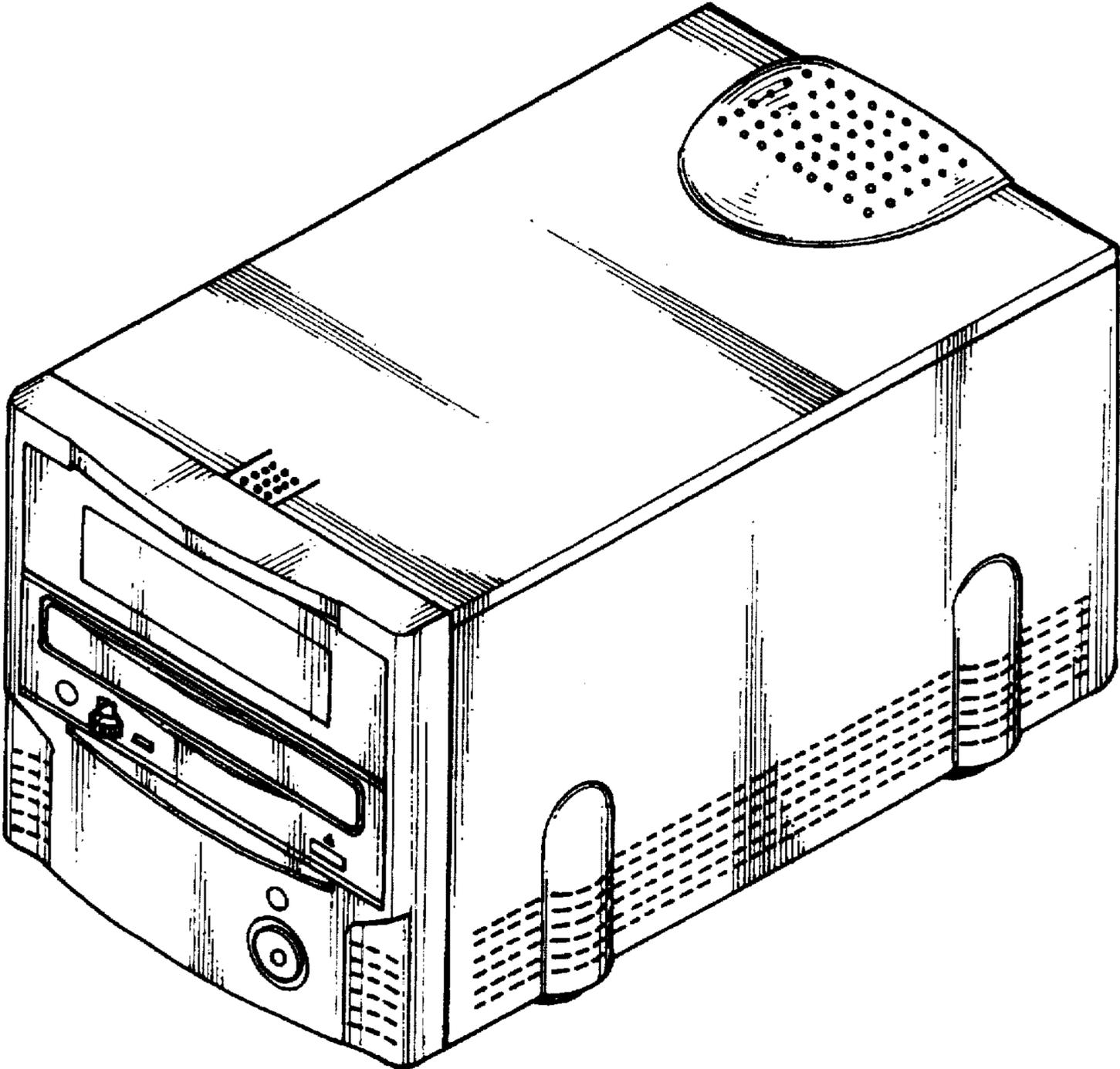


FIG. 1

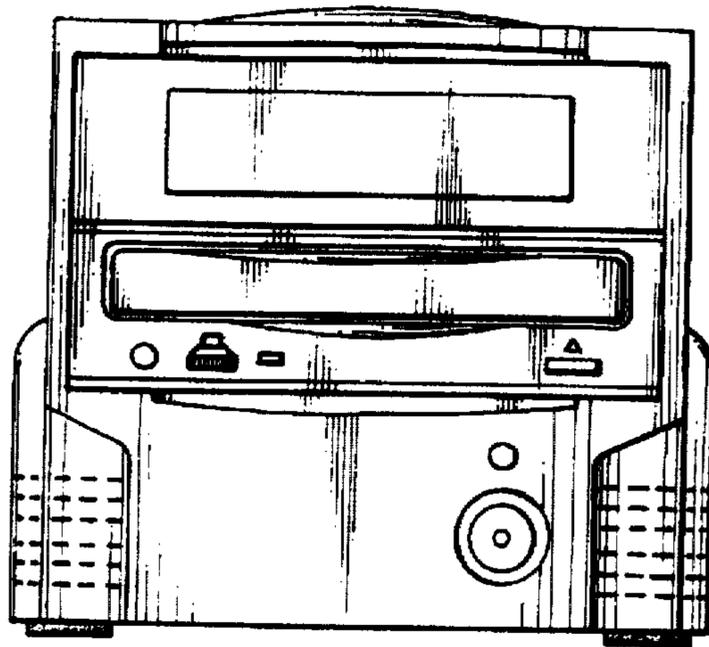


FIG. 2

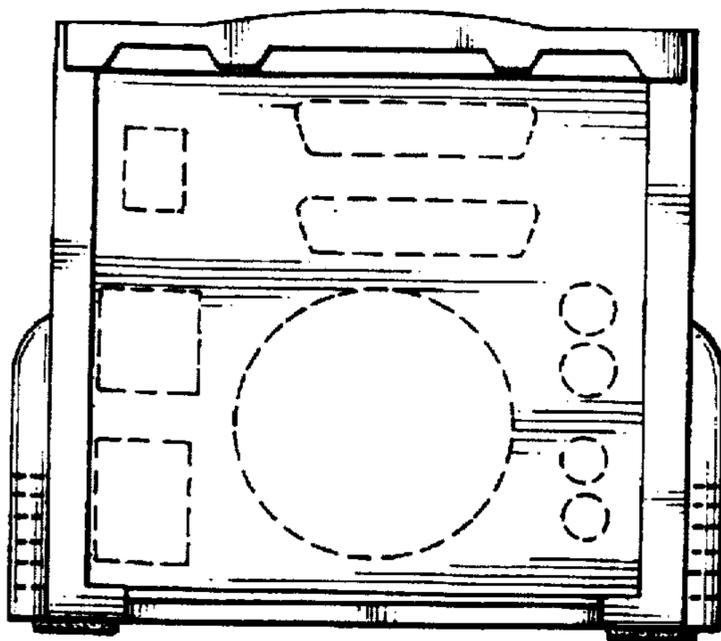


FIG. 3

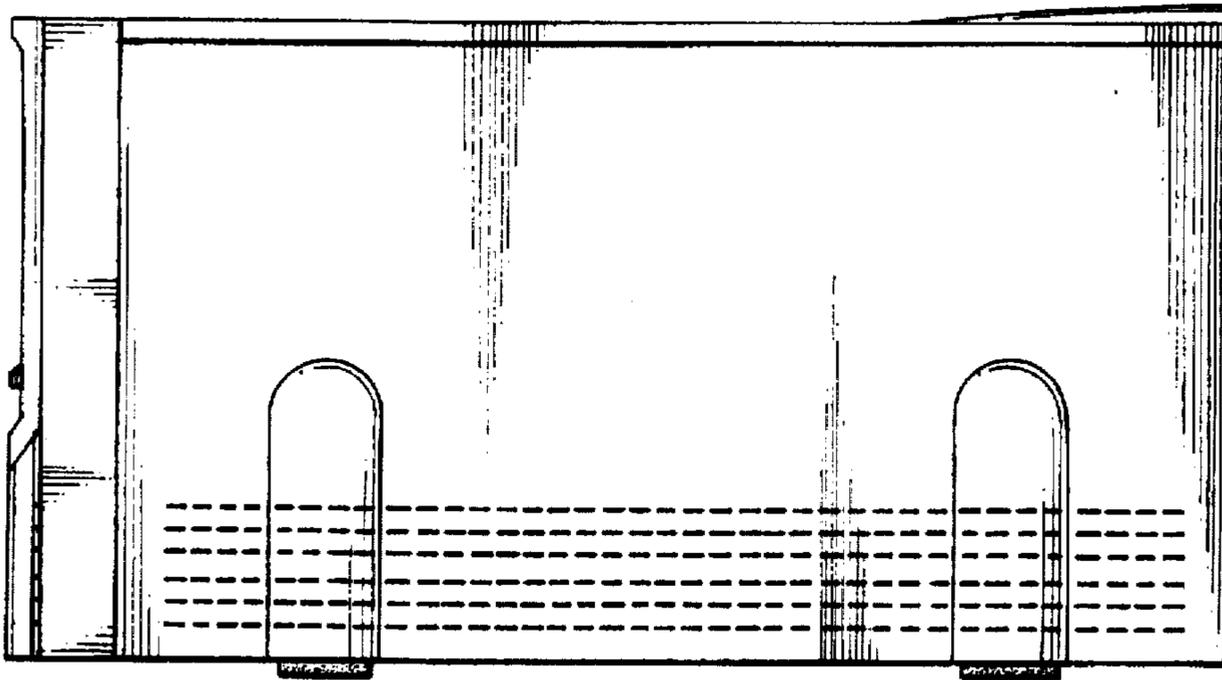


FIG. 4

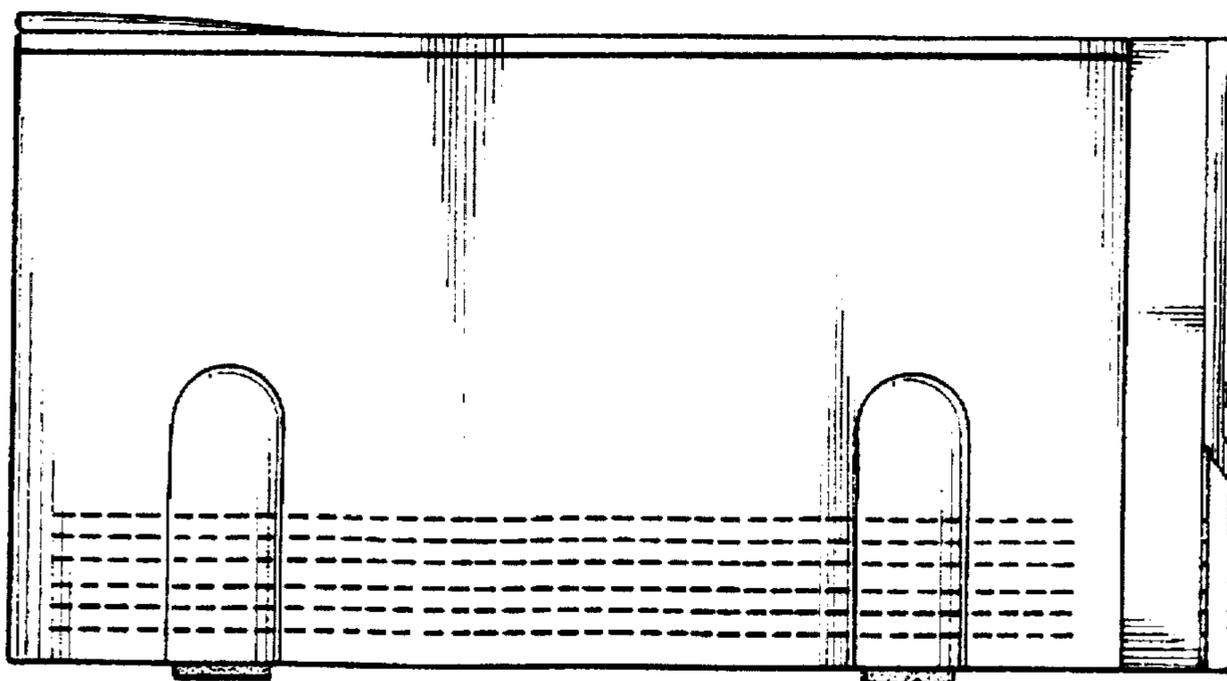


FIG. 5

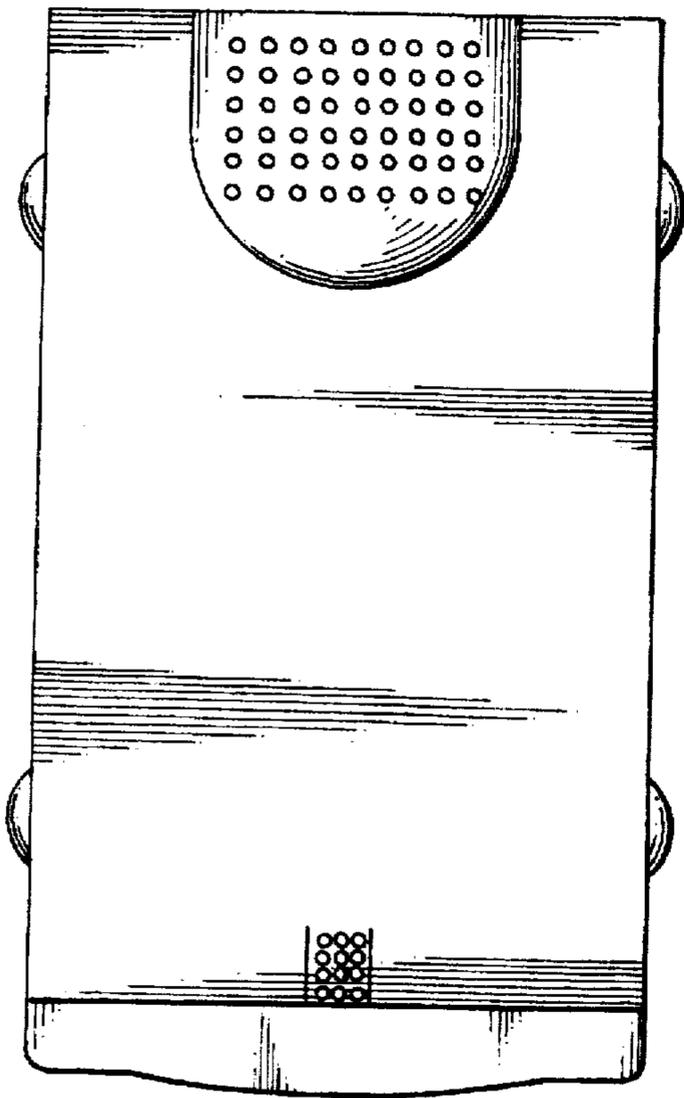


FIG. 6

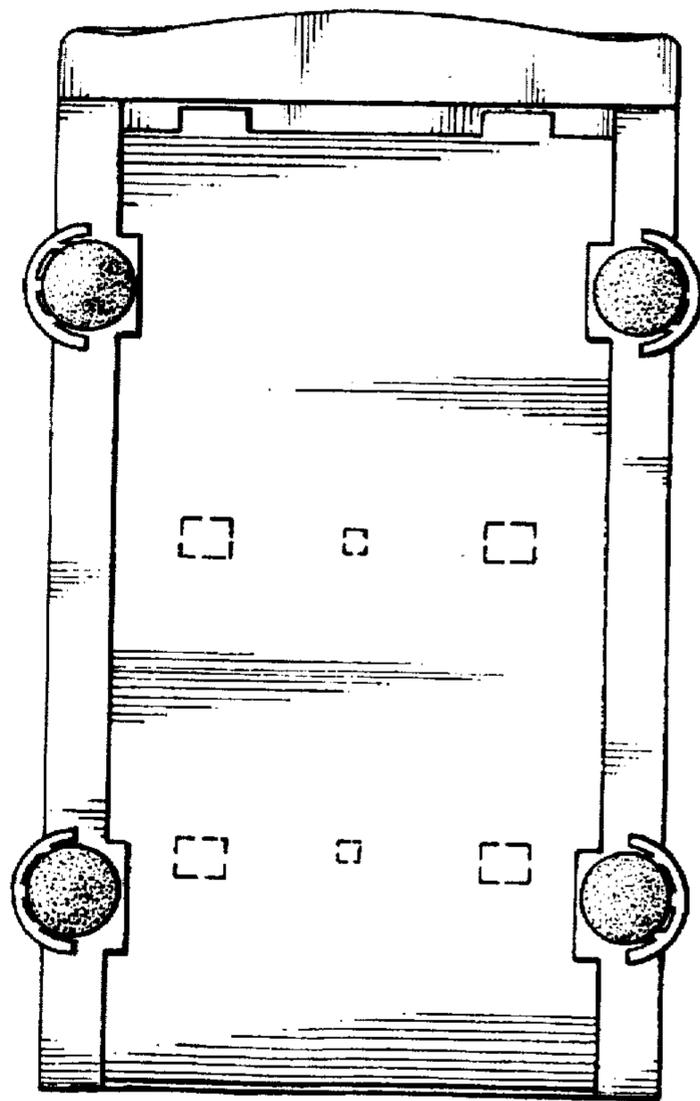


FIG. 7