



US00D387739S

United States Patent [19]

Shibata

[11] Patent Number: Des. 387,739

[45] Date of Patent: **Dec. 16, 1997

[54] ARITHMETIC OPERATION CONTROL MACHINE FOR AN ELECTRONIC COMPUTER EQUIPPED WITH AN INFORMATION WRITE/READ UNIT

[75] Inventor: Mikio Shibata, Iwatsuki, Japan

[73] Assignee: Kabushiki Kaisha Toshiba, Kawasaki, Japan

[**] Term: 14 Years

[21] Appl. No.: 60,663

[22] Filed: Oct. 3, 1996

[30] Foreign Application Priority Data

Apr. 4, 1996 [JP] Japan 8-9330

[51] LOC (6) Cl. 14-02

[52] U.S. Cl. D14/107

[58] Field of Search D14/100, 105, D14/107, 114; D13/162, 184, 199; 361/680-686; 439/95, 248; 360/97.01, 97.04, 98.01, 99.01, 99.12

[56] References Cited

U.S. PATENT DOCUMENTS

D. 334,177 3/1993 Kim D14/100
D. 367,852 3/1996 Iino et al. D14/107
D. 370,895 6/1996 Ito et al. D14/109

FOREIGN PATENT DOCUMENTS

891877 2/1994 Japan .
892640 3/1994 Japan .
897041 4/1994 Japan .
897041-1 5/1994 Japan .

Primary Examiner—Freda Nunn

Attorney, Agent, or Firm—Oblon, Spivak, McClelland, Maier & Neustadt, P.C.

[57] CLAIM

The ornamental design for an arithmetic operation control machine for an electronic computer equipped with an information write/read unit, as shown and described.

DESCRIPTION

FIG. 1 is a front, top and right side perspective view of an arithmetic operation control machine for an electronic computer equipped with an information write/read unit, showing my new design;

FIG. 2 is a front elevational view thereof;

FIG. 3 is a top plan view thereof;

FIG. 4 is a right side elevational view thereof; the opposite side being a mirror image;

FIG. 5 is a bottom plan view thereof;

FIG. 6 is a rear elevational view thereof;

FIG. 7 is a top plan view thereof with a cover in an opened position; and,

FIG. 8 is a right side elevational view thereof with a cover in an opened position.

1 Claim, 3 Drawing Sheets

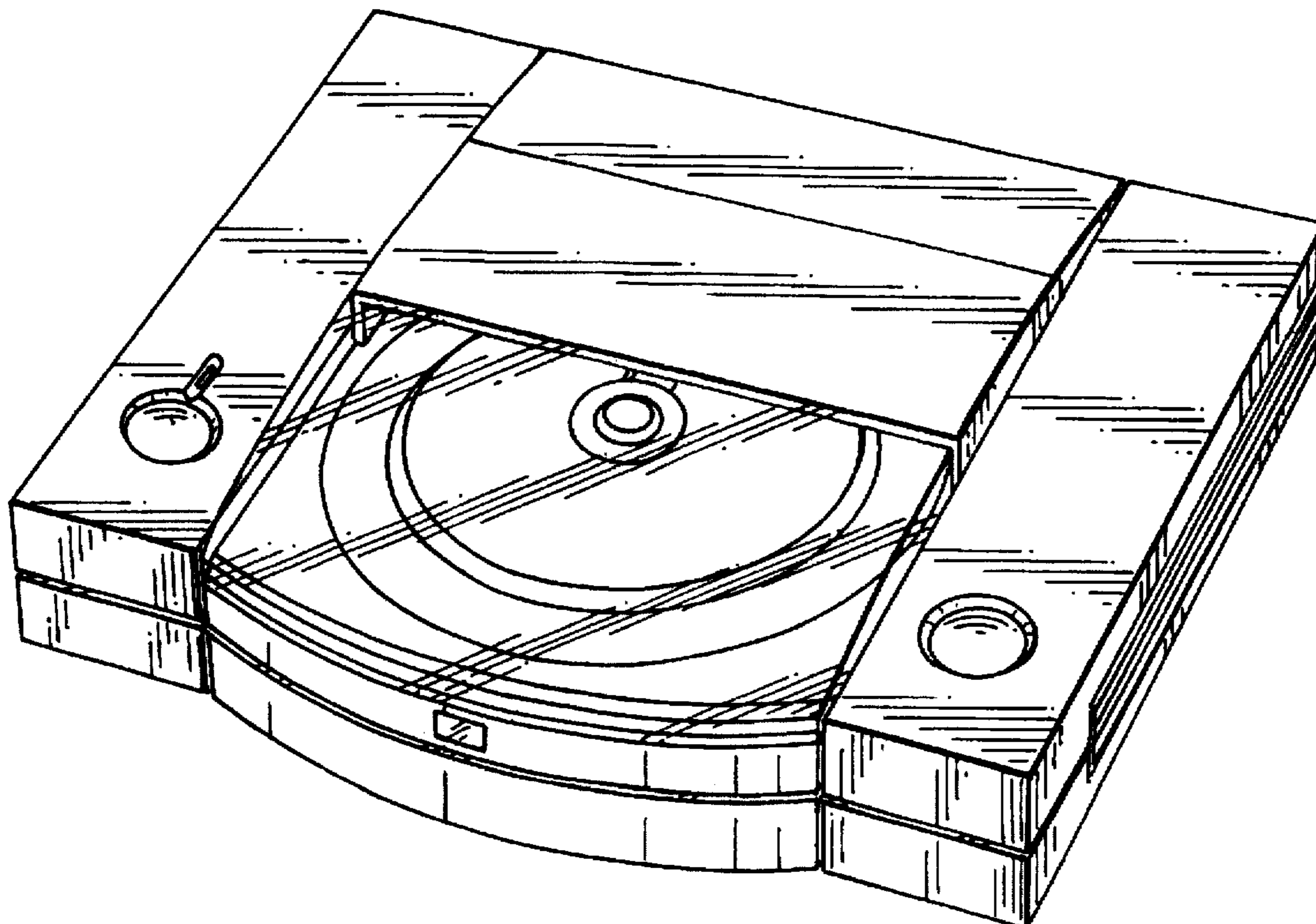


FIG. 1

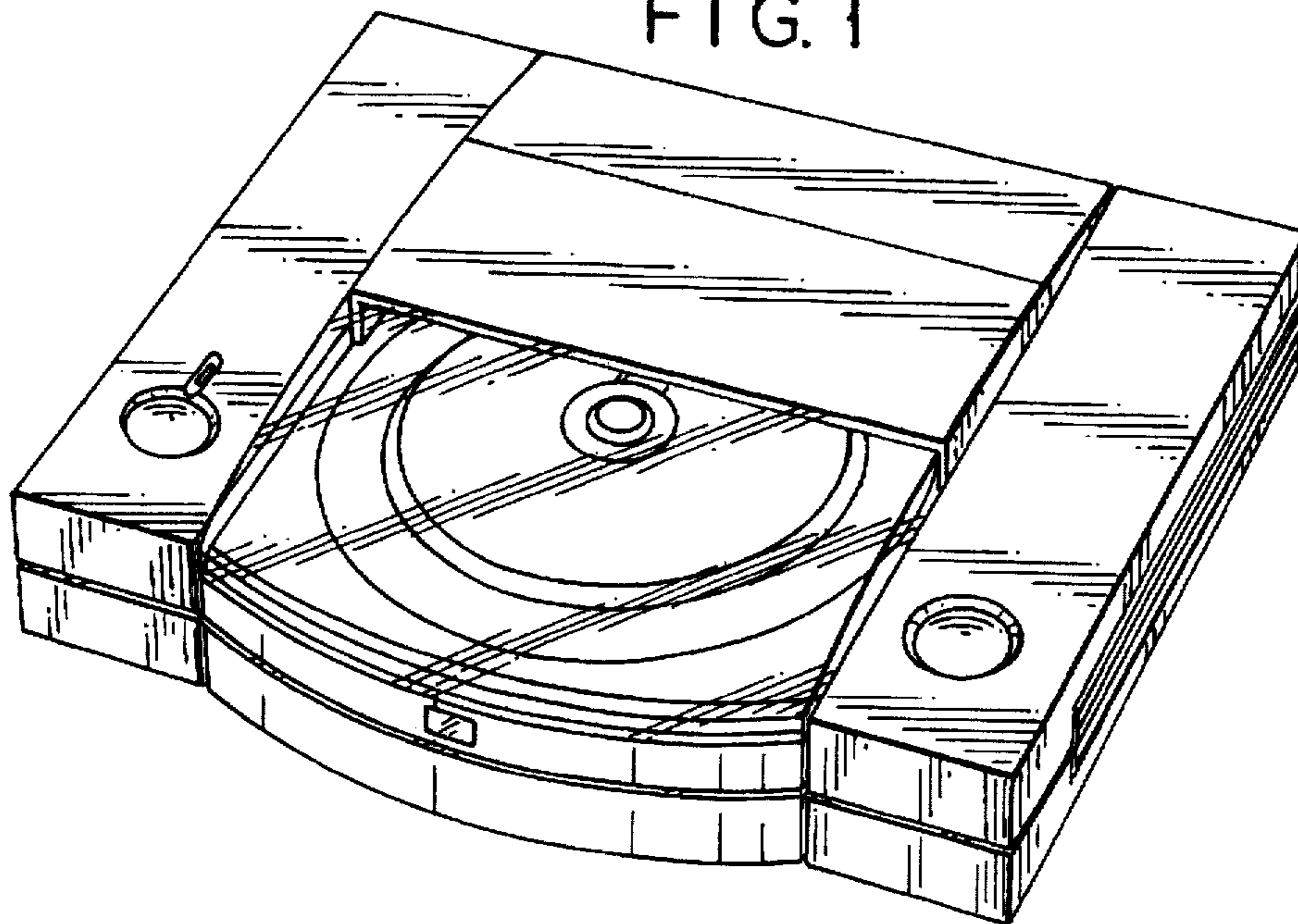


FIG. 2

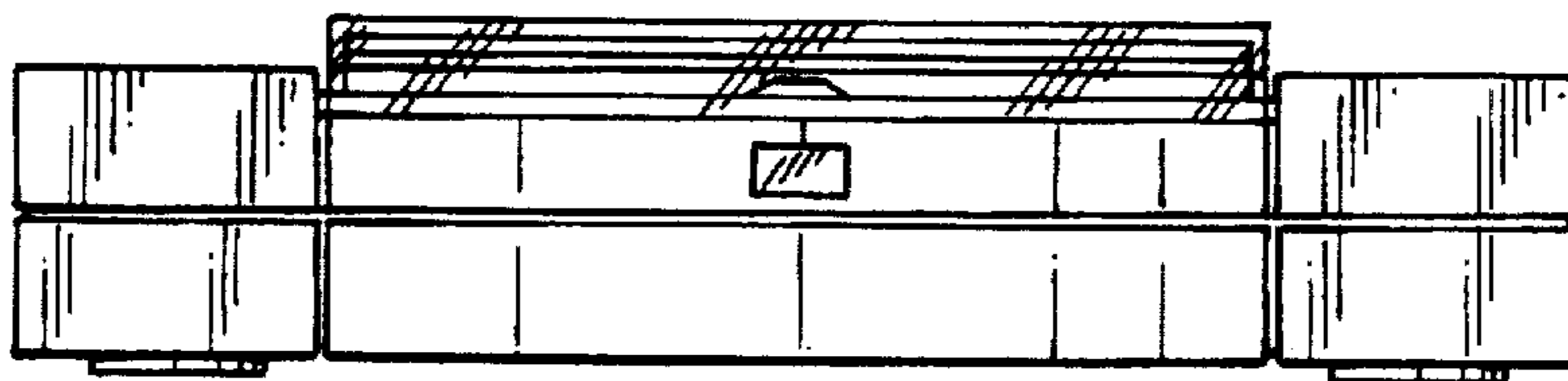


FIG. 3

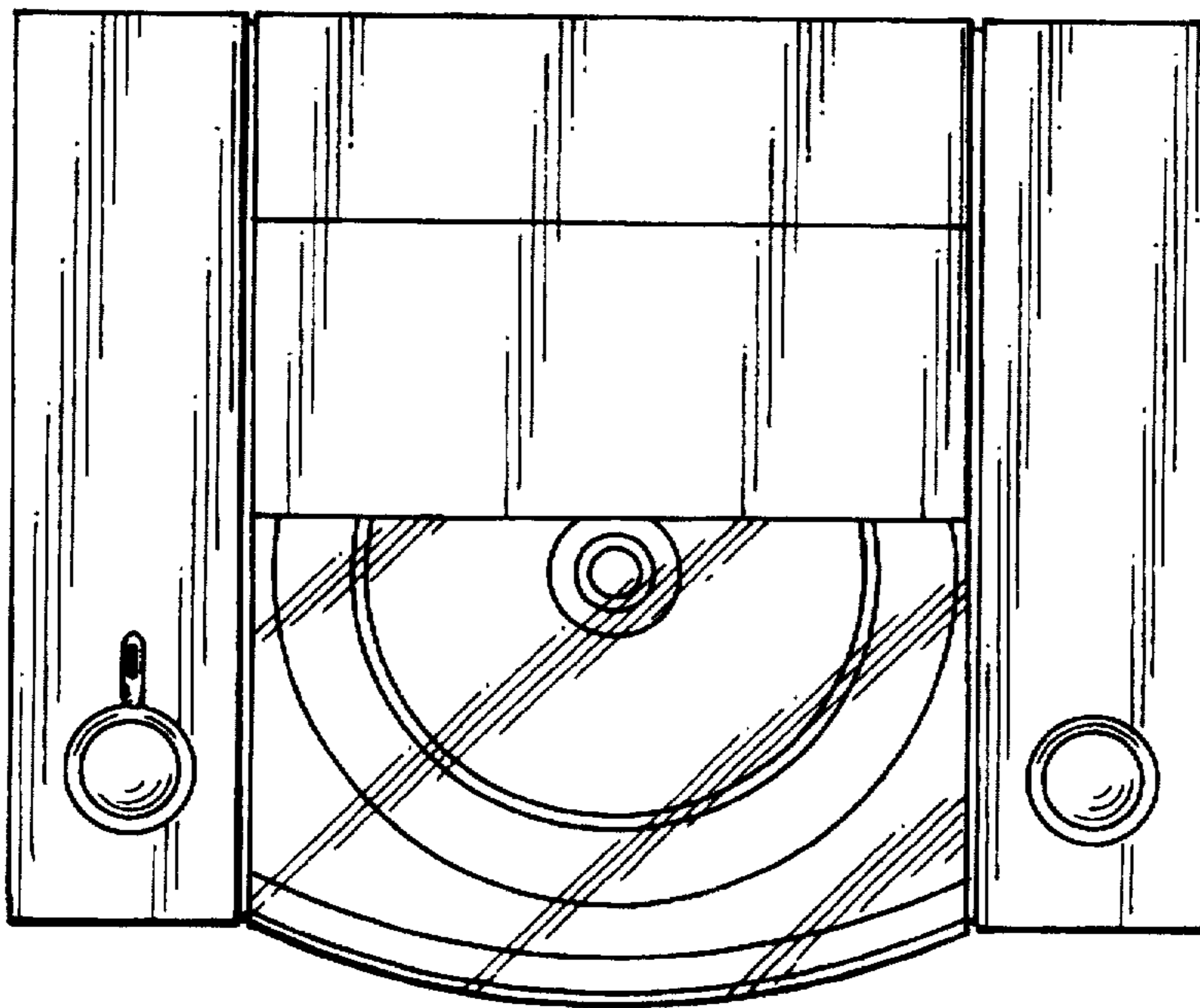


FIG. 4

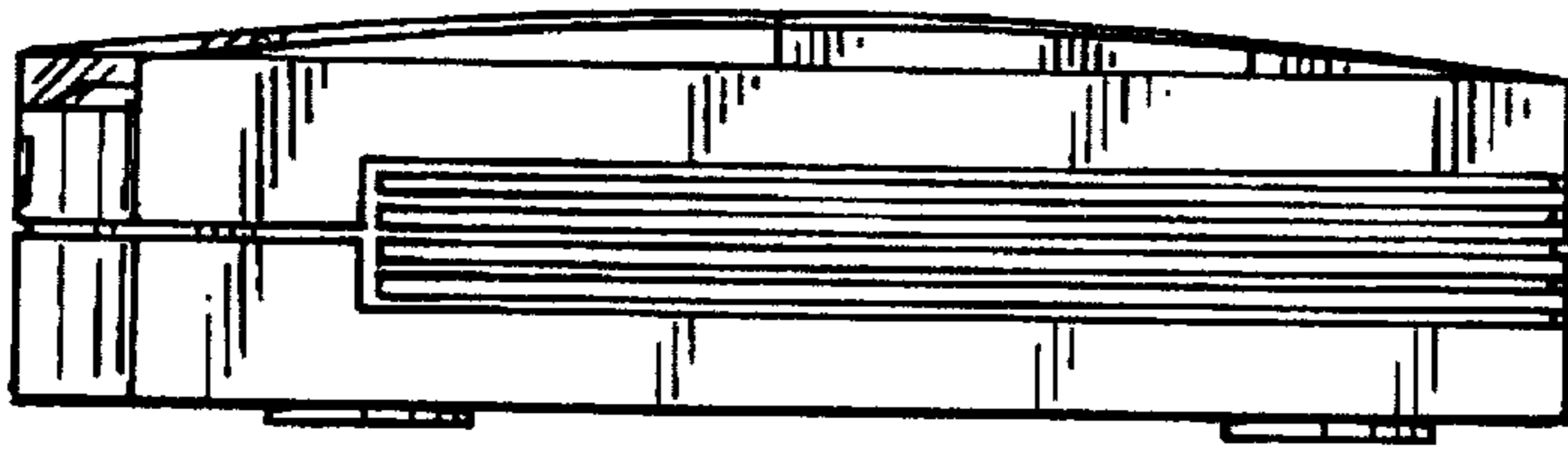


FIG. 5

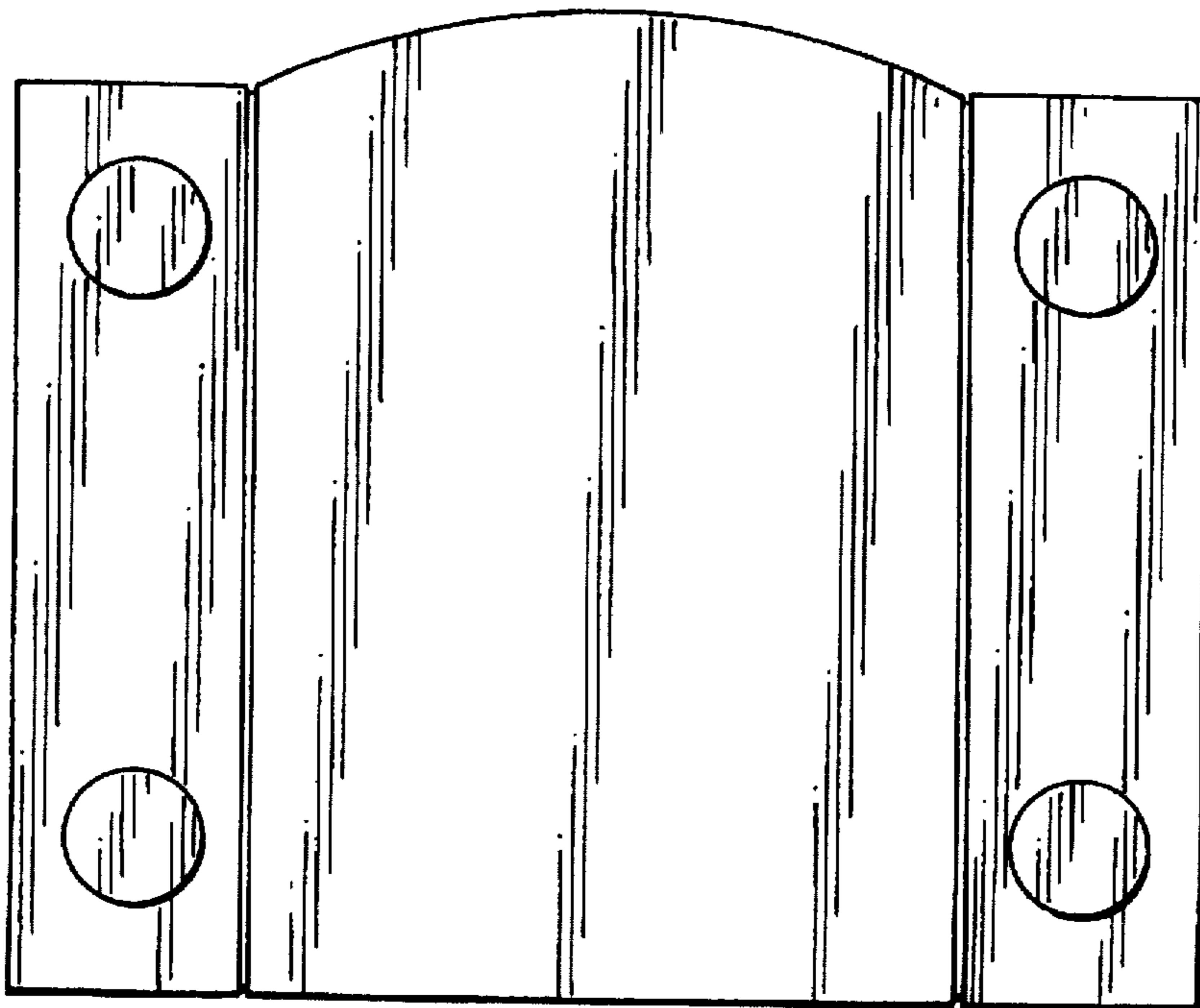


FIG. 6

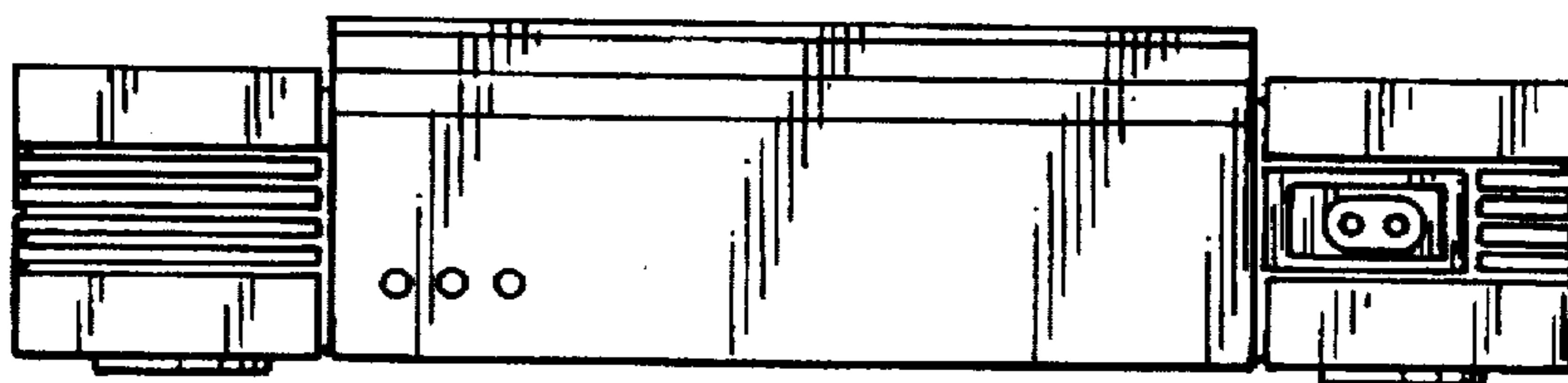


FIG. 7

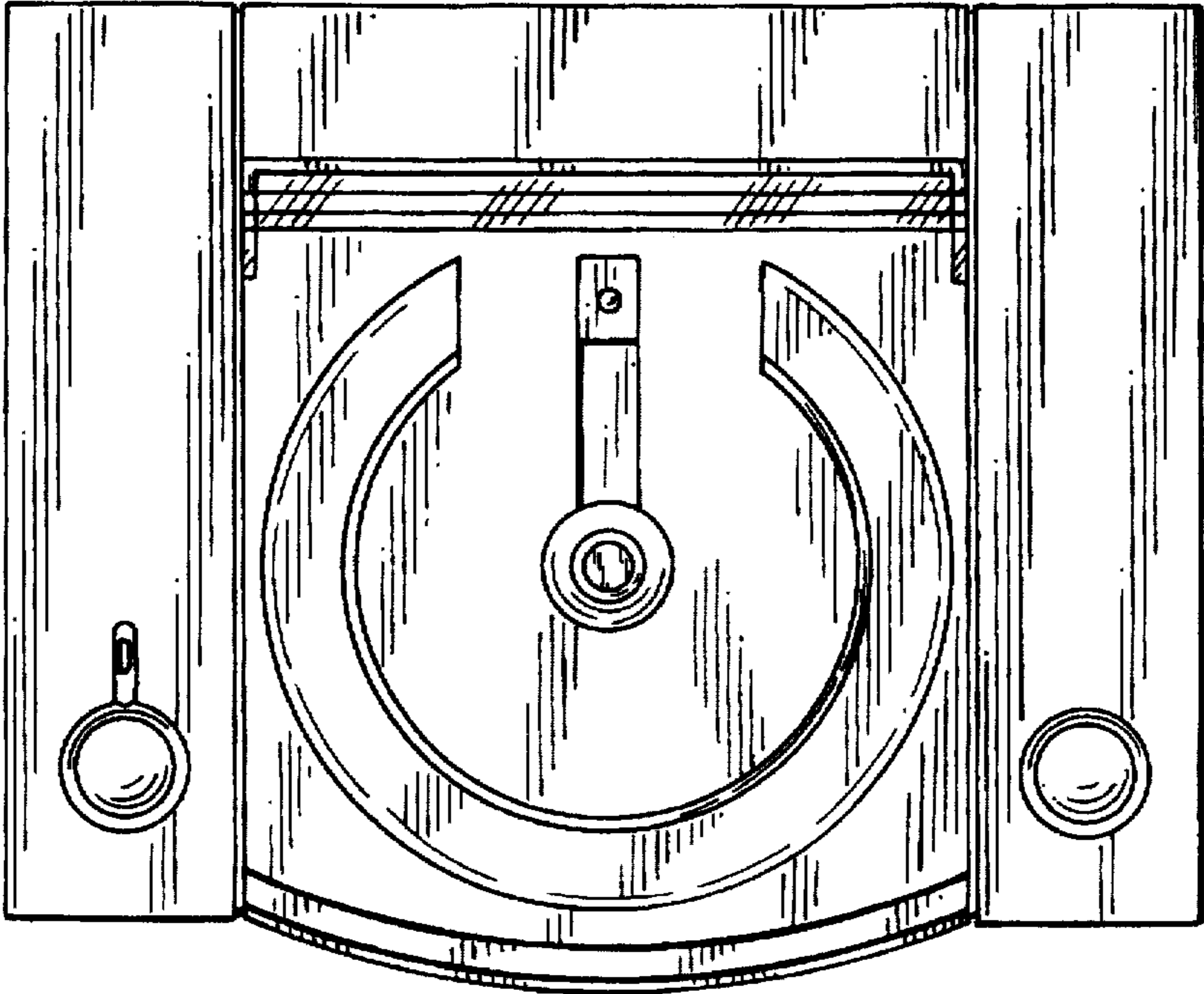


FIG. 8

