



US00D387738S

**United States Patent** [19]  
**Lee**

[11] **Patent Number: Des. 387,738**

[45] **Date of Patent: \*\*Dec. 16, 1997**

[54] **COMPUTER CASE**

[76] **Inventor: Chi Hsiu Lee, P.O. Box 82-144, Taipei, Taiwan**

[\*\*] **Term: 14 Years**

[21] **Appl. No.: 62,712**

[22] **Filed: Nov. 22, 1996**

[51] **LOC (6) Cl. .... 14-02**

[52] **U.S. Cl. .... D14/102**

[58] **Field of Search** ..... D14/100, 102, D14/107-109; D13/162, 184, 199; D6/432, 436, 445, 448; 312/208.1, 223.2, 223.3, 254, 292; 360/99.12; 361/694, 696

[56] **References Cited**

**U.S. PATENT DOCUMENTS**

- D. 348,051 6/1994 Noble ..... D14/102
- D. 370,211 5/1996 Lee ..... D14/102

*Primary Examiner—Freda Nunn  
Attorney, Agent, or Firm—Alfred Lei*

[57] **CLAIM**

The ornamental design for a computer case, as shown and described.

**DESCRIPTION**

FIG. 1 is a perspective view of a computer case showing my new design;

FIG. 2 is a front view thereof;

FIG. 3 is a left side elevational view thereof;

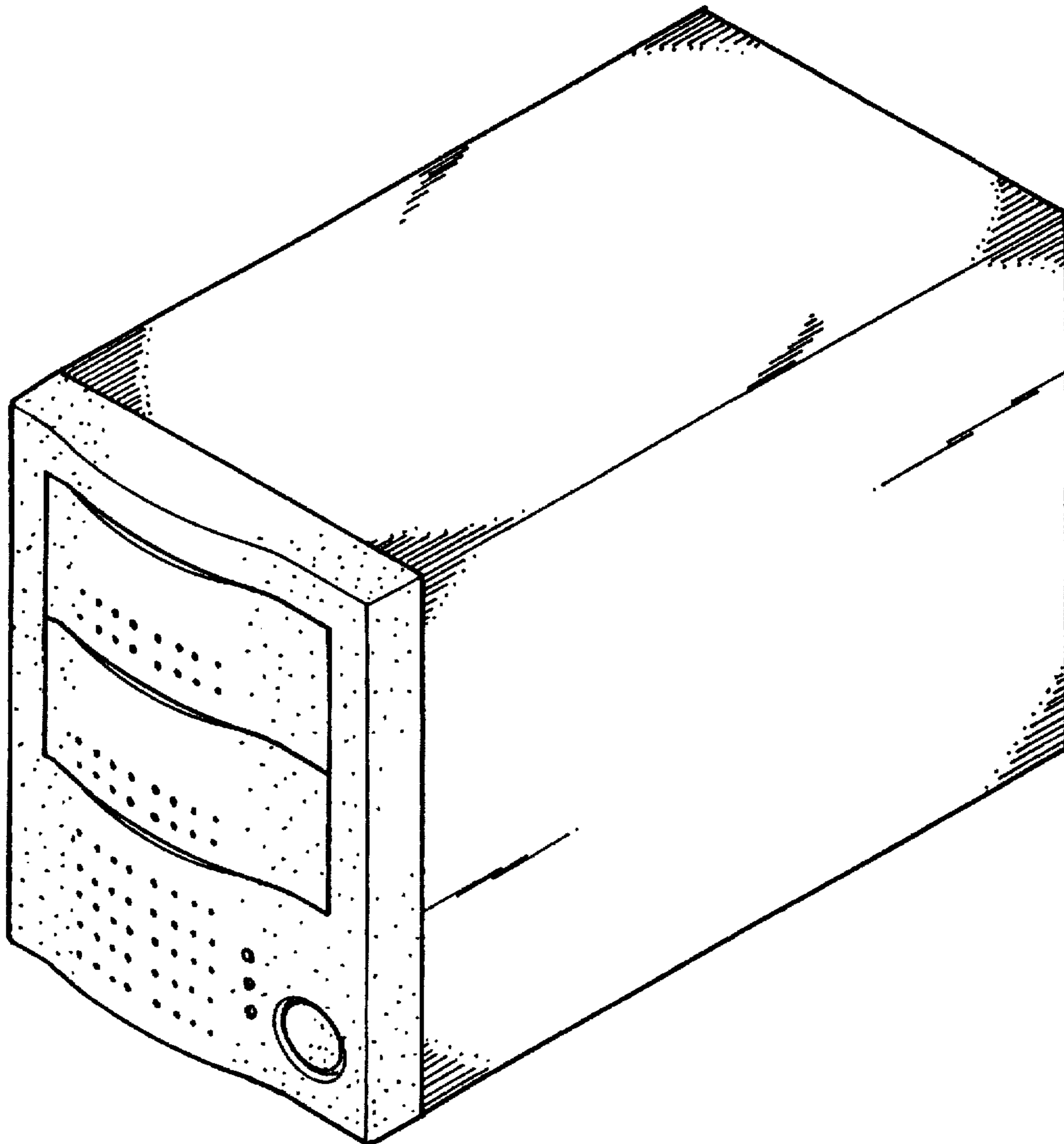
FIG. 4 is a right side elevational view thereof;

FIG. 5 is a top plan view thereof;

FIG. 6 is a bottom plan view thereof; and,

FIG. 7 is a rear view thereof.

**1 Claim, 4 Drawing Sheets**



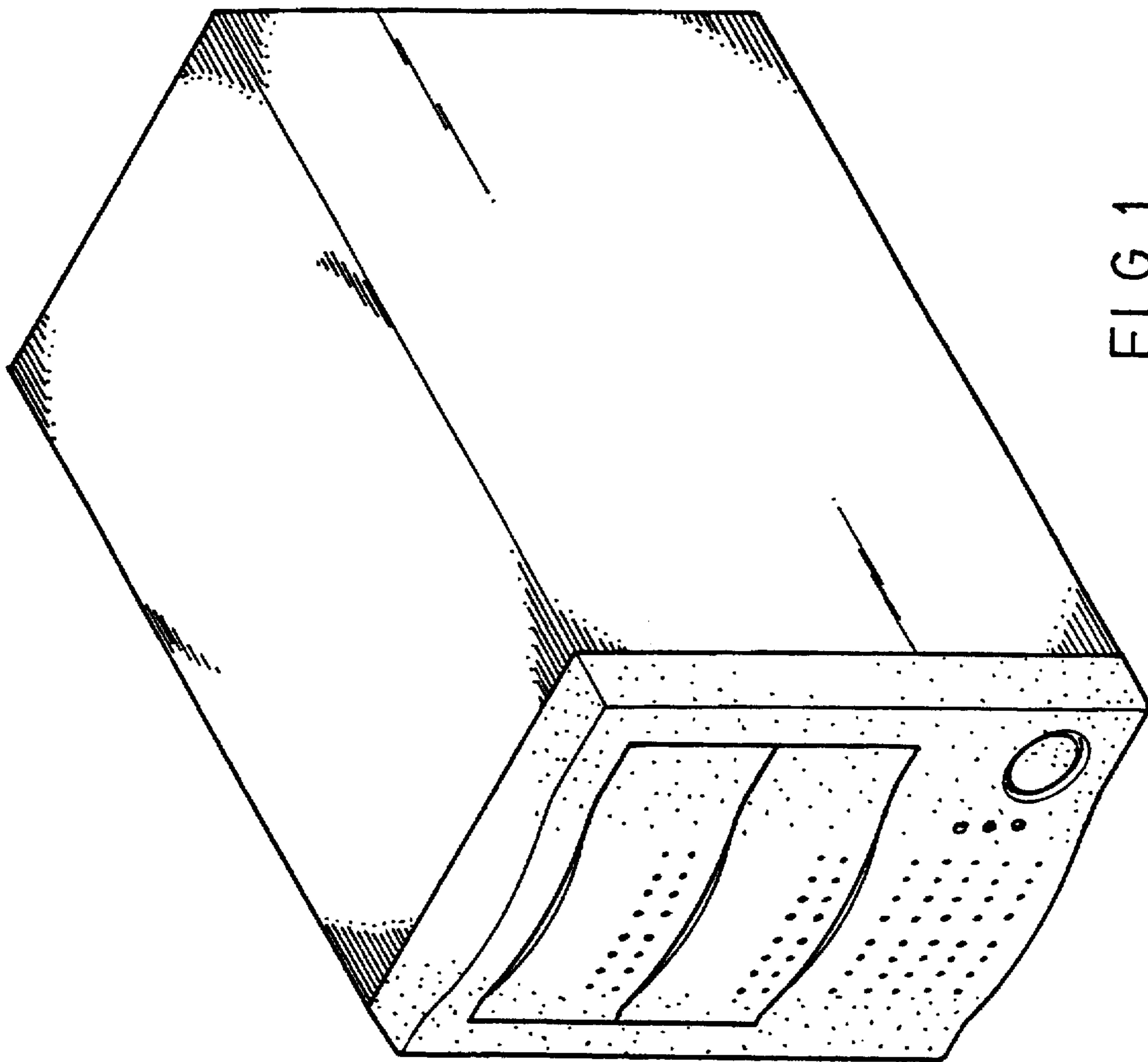


FIG. 1

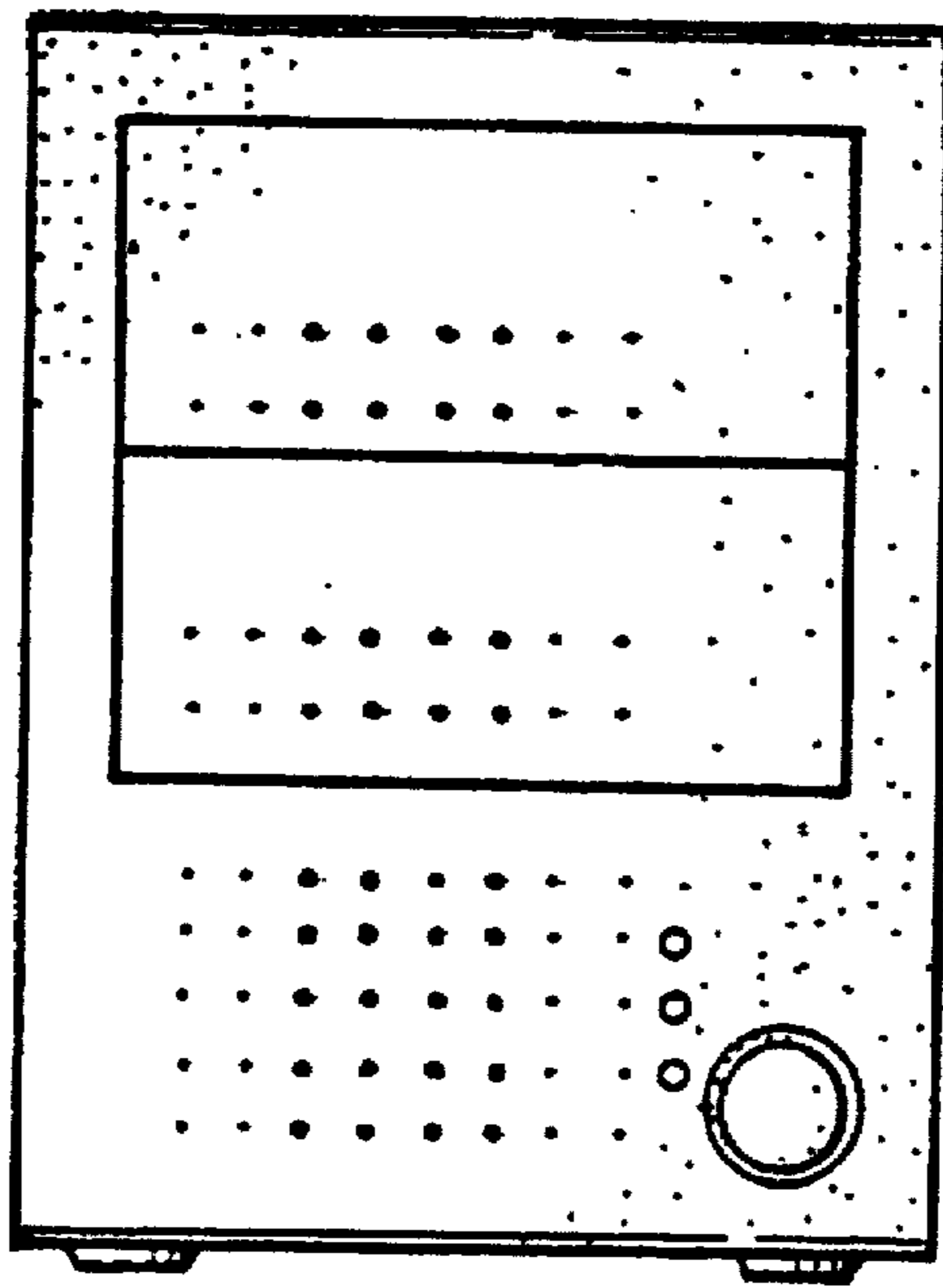


FIG. 2

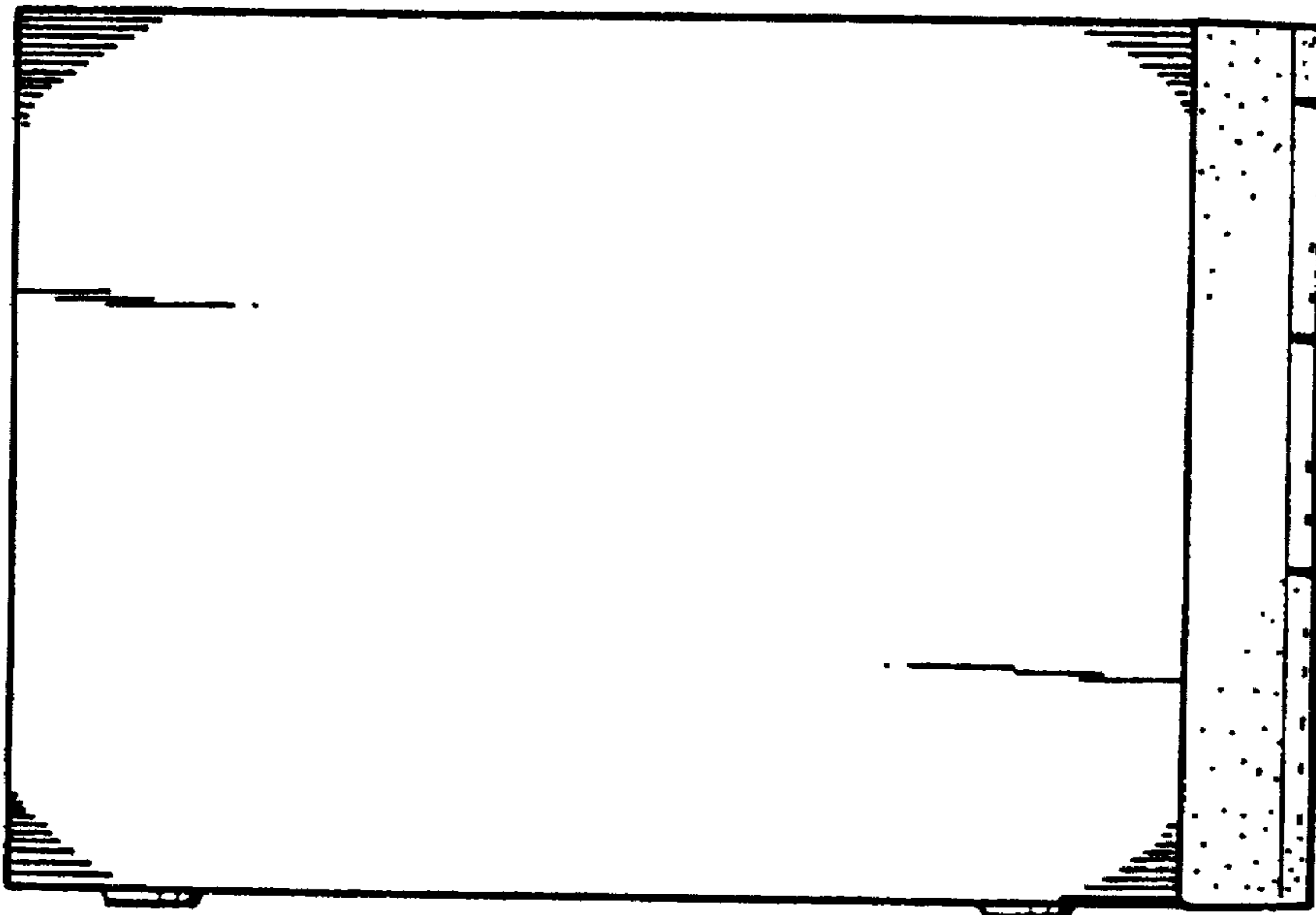


FIG. 3

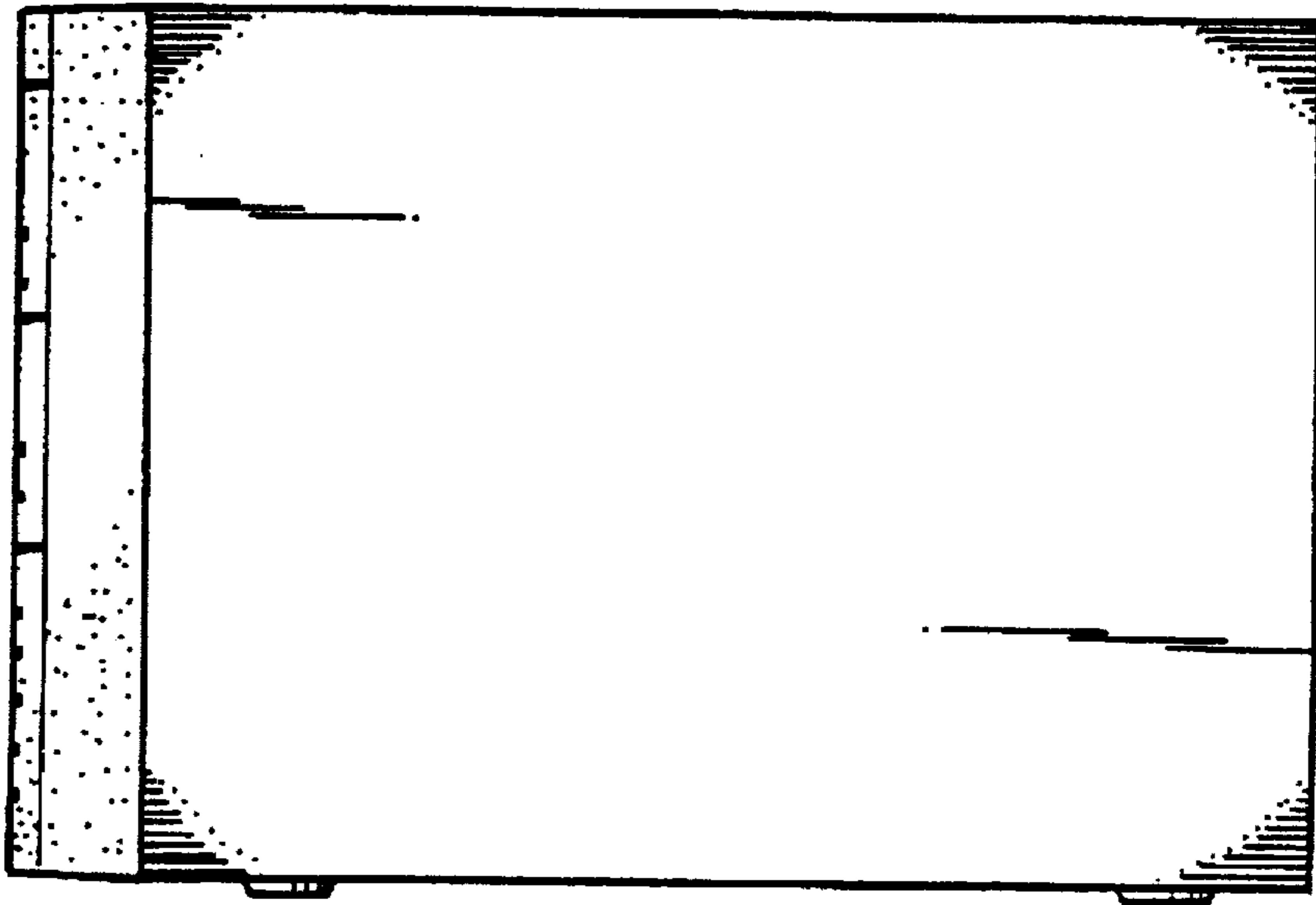


FIG. 4

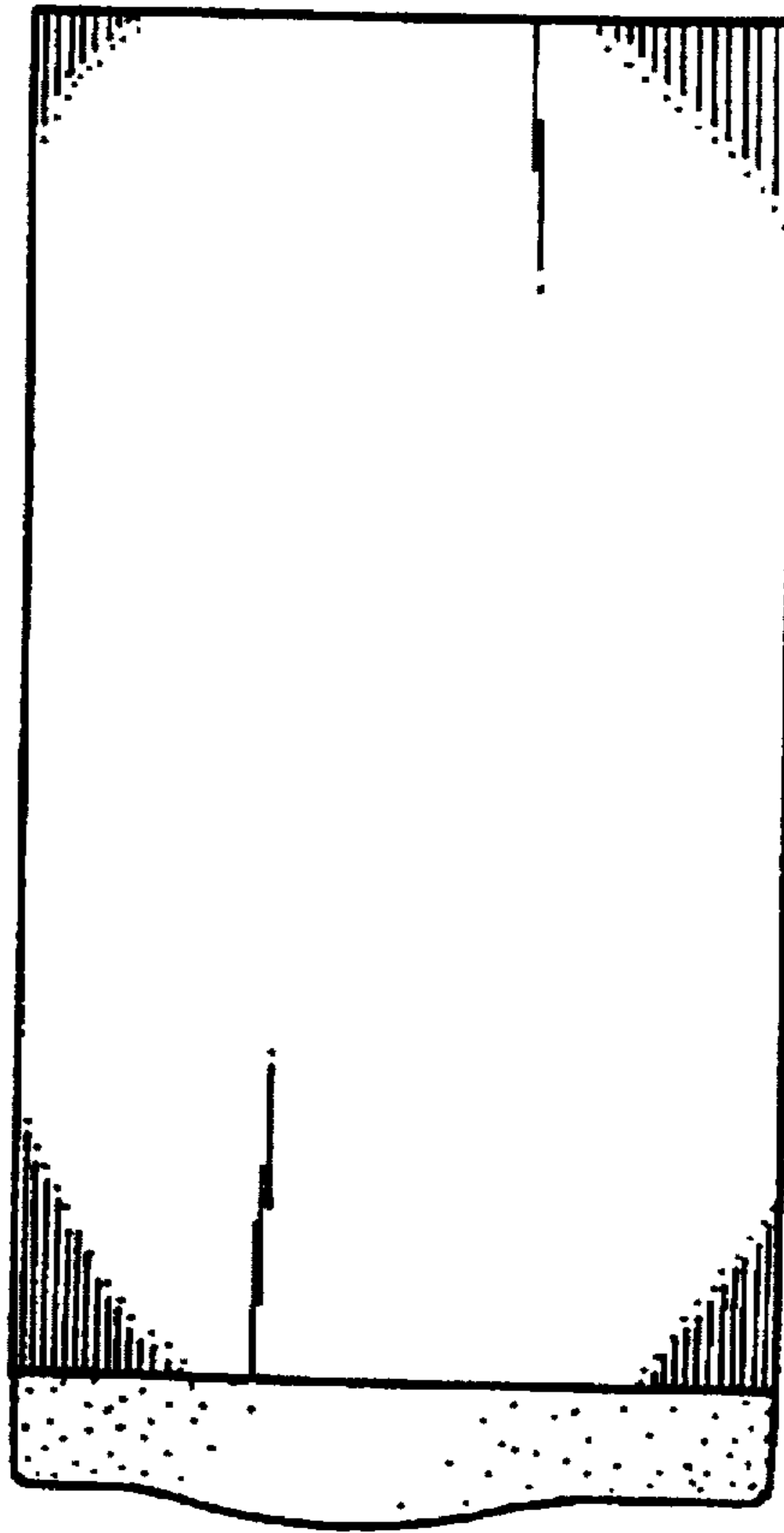


FIG. 5

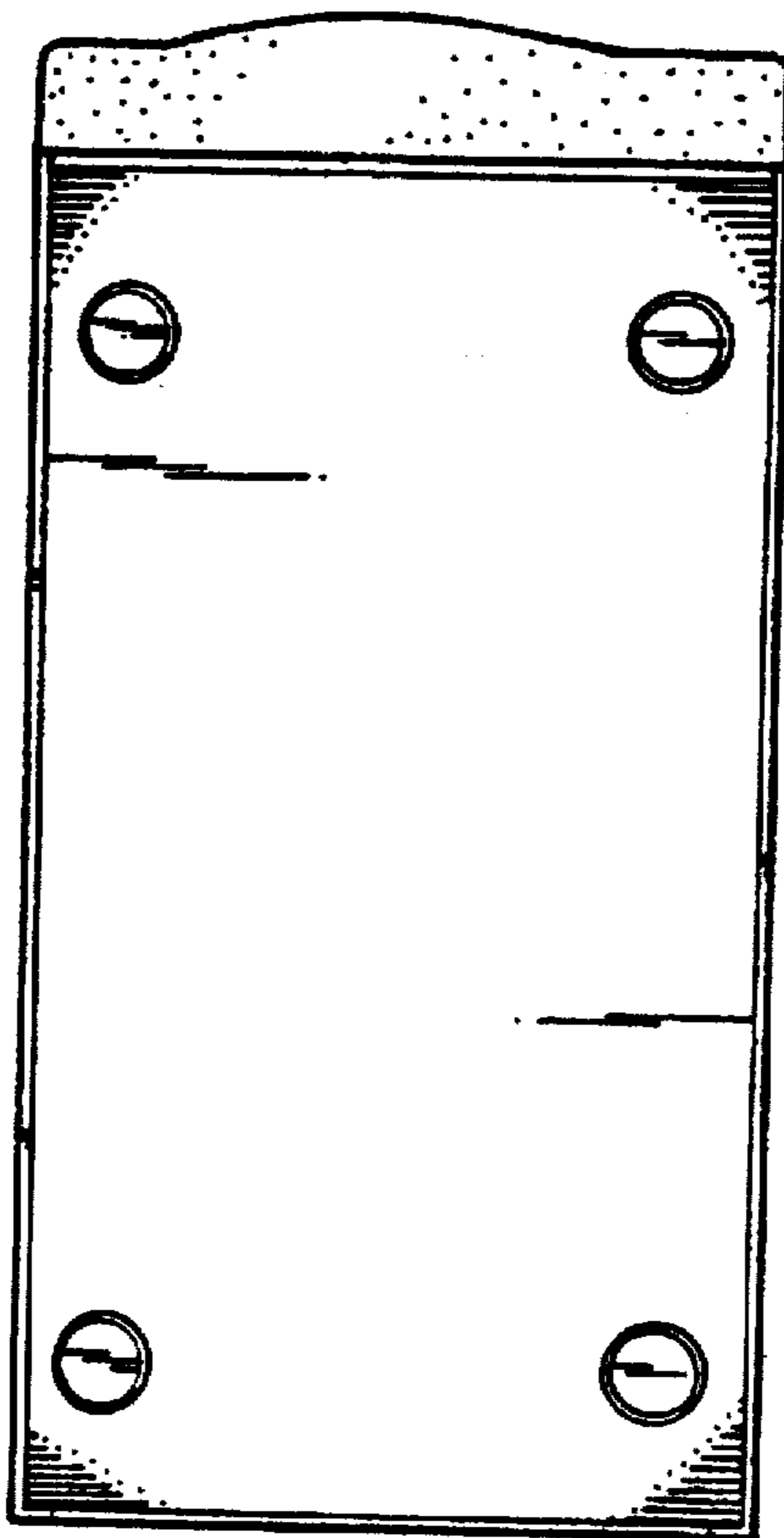


FIG. 6

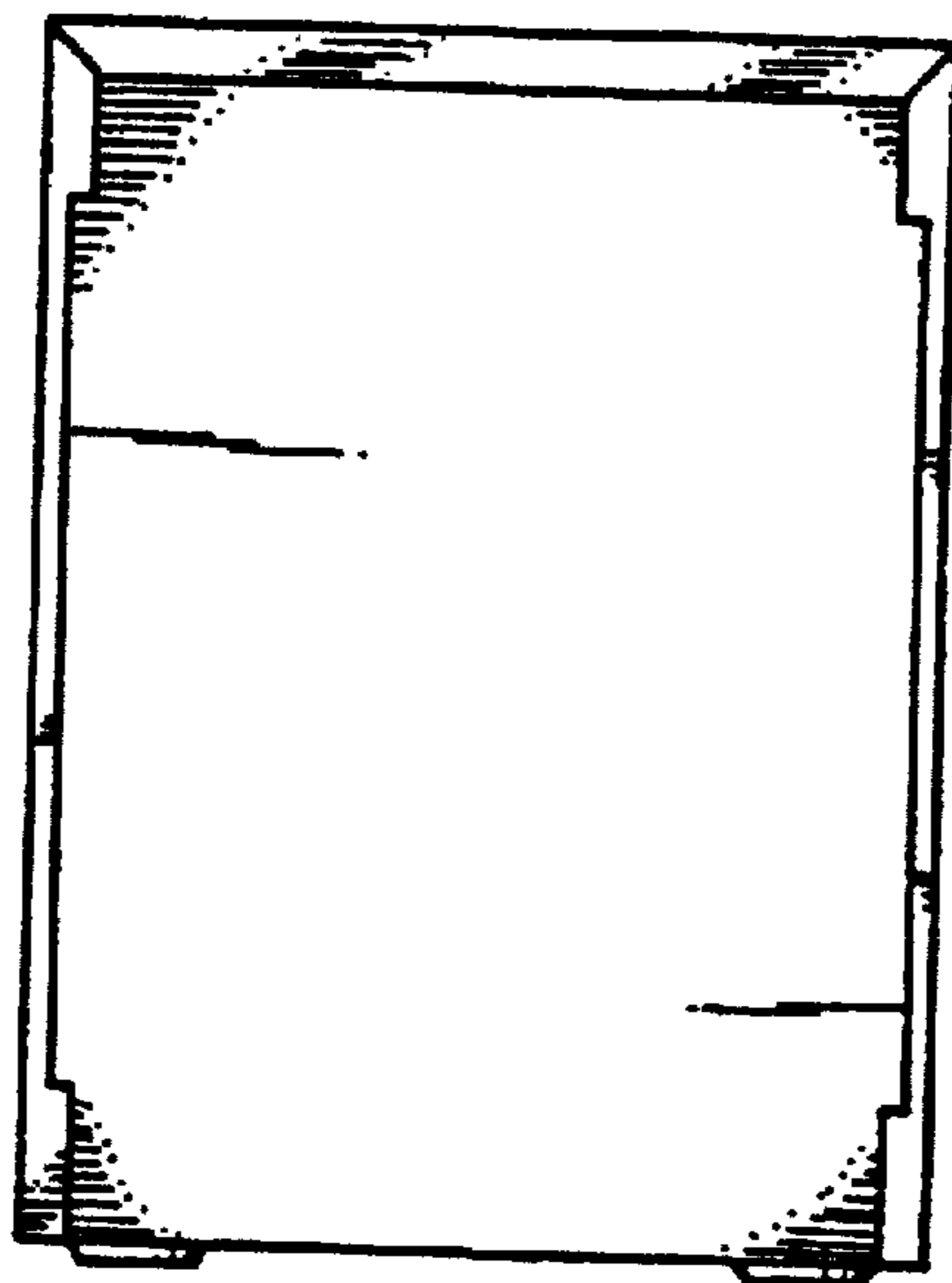


FIG. 7