



US00D387733S

# United States Patent [19] Lee

[11] Patent Number: **Des. 387,733**

[45] Date of Patent: **\*\*Dec. 16, 1997**

[54] **CABLE ASSEMBLY**

[75] Inventor: **Noel Lee, Daly City, Calif.**

[73] Assignee: **Monster Cable International, Ltd.,  
Bermuda**

[\*\*] Term: **14 Years**

[21] Appl. No.: **57,613**

[22] Filed: **Jul. 29, 1996**

[51] LOC (6) Cl. .... **13-03**

[52] U.S. Cl. .... **D13/147**

[58] Field of Search ..... **D13/133, 146,  
D13/147, 132; 439/402, 499, 606, 623,  
626; 174/71 R, 71 C, 72 R, DIG. 8**

[56] **References Cited**

**U.S. PATENT DOCUMENTS**

D. 55,071	5/1920	Moffat	.....	D13/132
D. 191,399	9/1961	Leach	.....	D13/146
D. 301,457	6/1989	Friederichs	.....	D13/147
D. 347,208	5/1994	Martin et al.	.....	D13/133

5,322,972	6/1994	Fitch et al.	.....	174/DIG. 8 X
5,347,089	9/1994	Barrat et al.	.....	174/DIG. 8 X

**FOREIGN PATENT DOCUMENTS**

473497	7/1969	Switzerland	.....	174/DIG. 8
--------	--------	-------------	-------	------------

*Primary Examiner*—Alan P. Douglas  
*Assistant Examiner*—Lavone D. Tabor  
*Attorney, Agent, or Firm*—Haynes and Boone, L.L.P.

[57] **CLAIM**

The ornamental design for a cable assembly, as shown and described.

**DESCRIPTION**

FIG. 1 is a front perspective view of the cable assembly showing my new design;  
FIG. 2 is a top plan view thereof;  
FIG. 3 is a side elevational view thereof, the opposite side being a mirror image;  
FIG. 4 is a bottom plan view thereof; and  
FIG. 5 is a front elevational view thereof; and,  
FIG. 6 is a rear elevational view thereof.

**1 Claim, 1 Drawing Sheet**

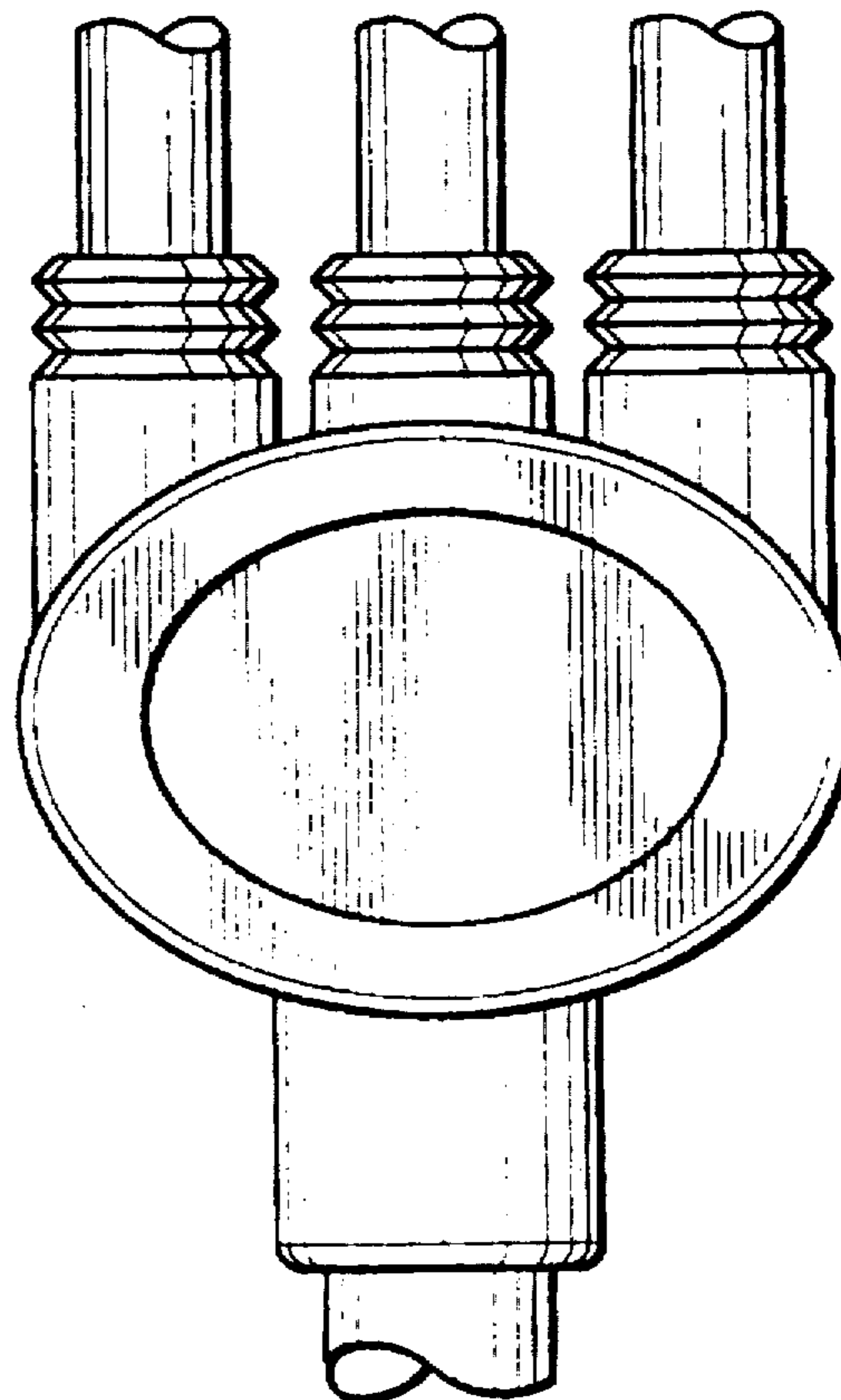
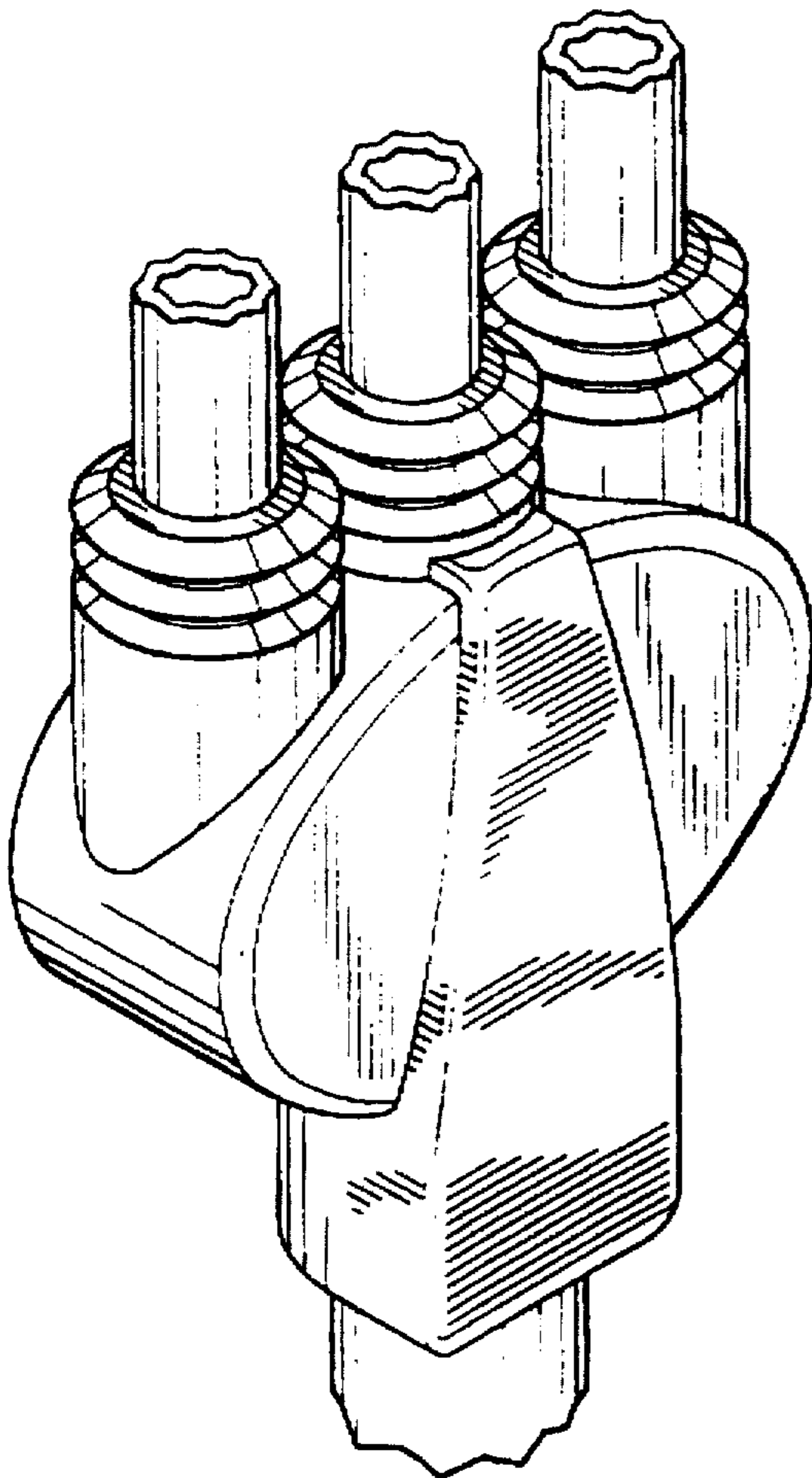


FIG. 1

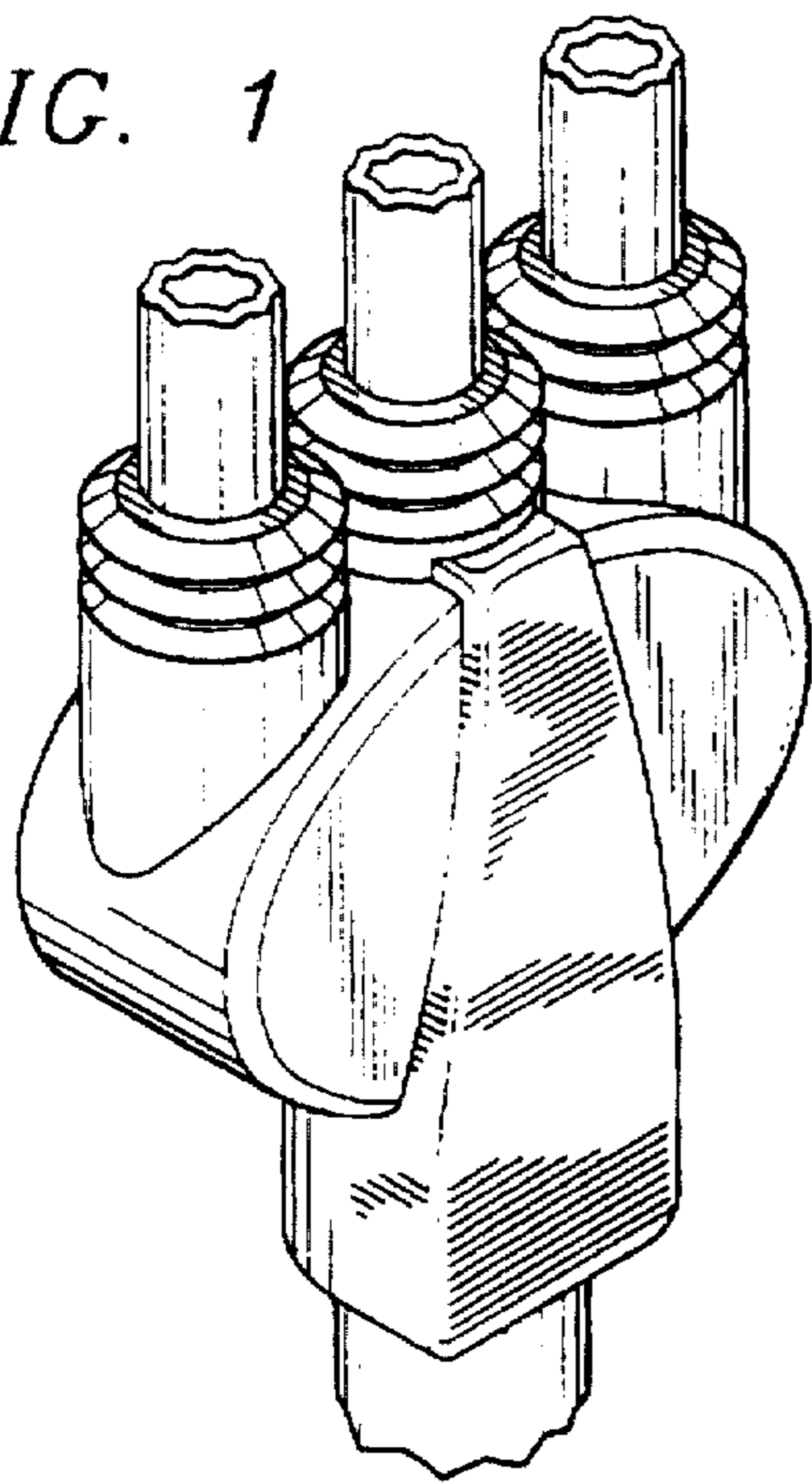


FIG. 2

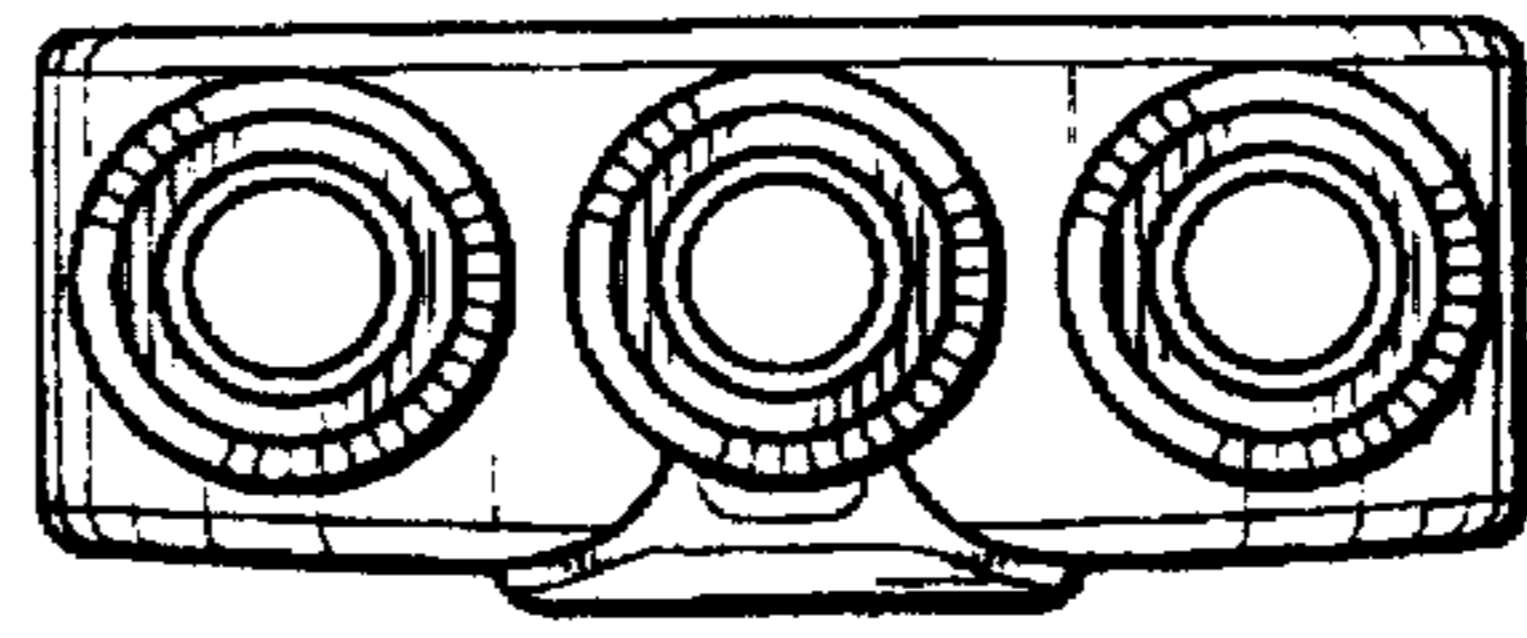


FIG. 4

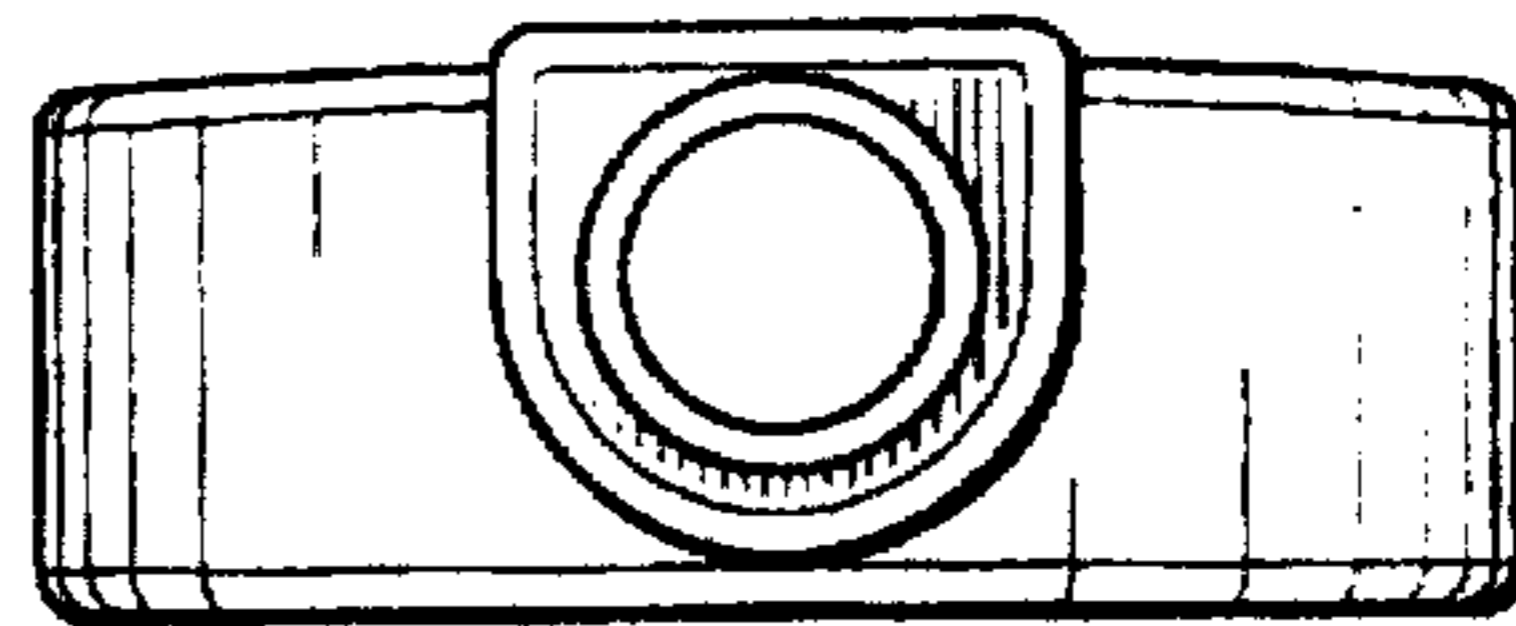


FIG. 3

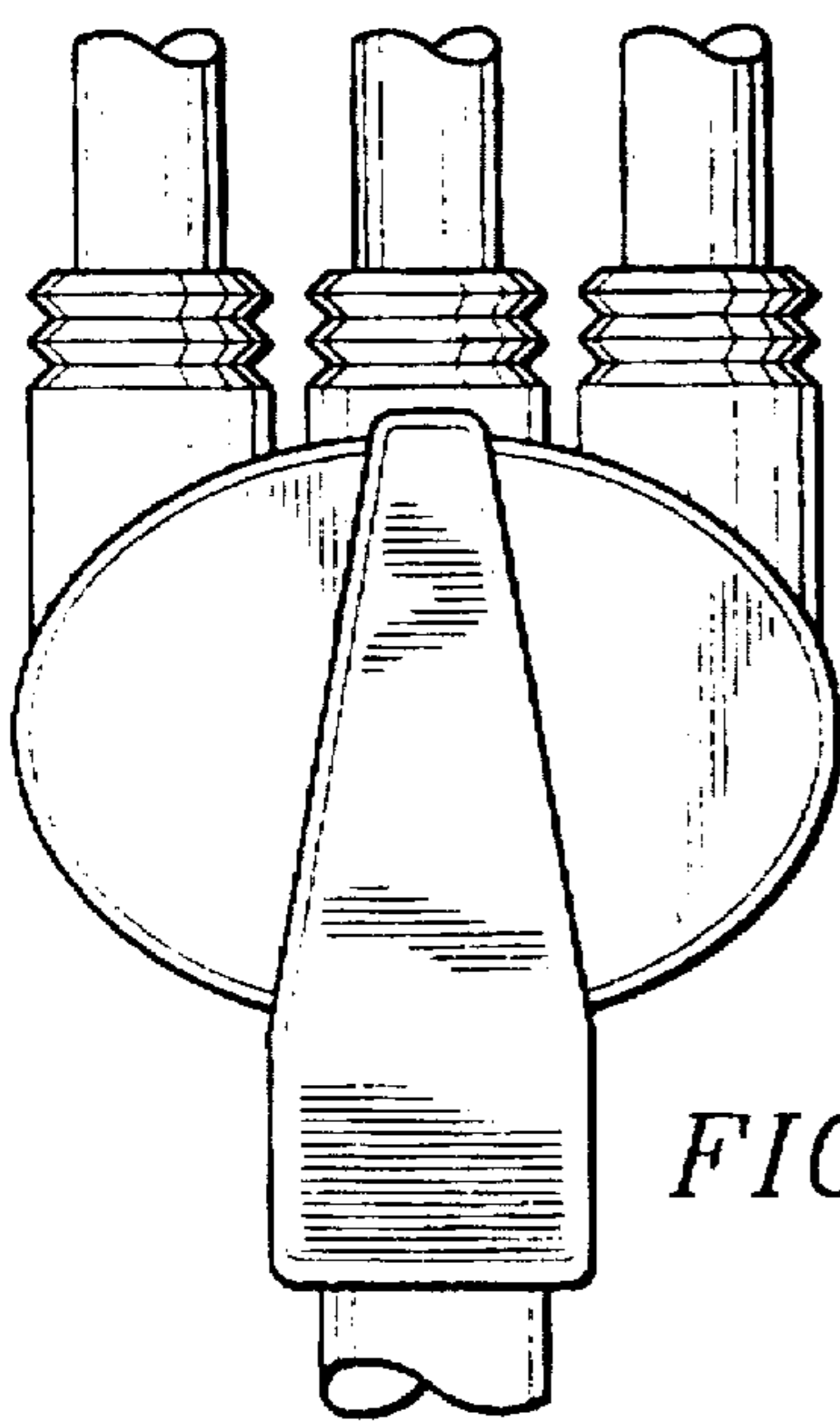
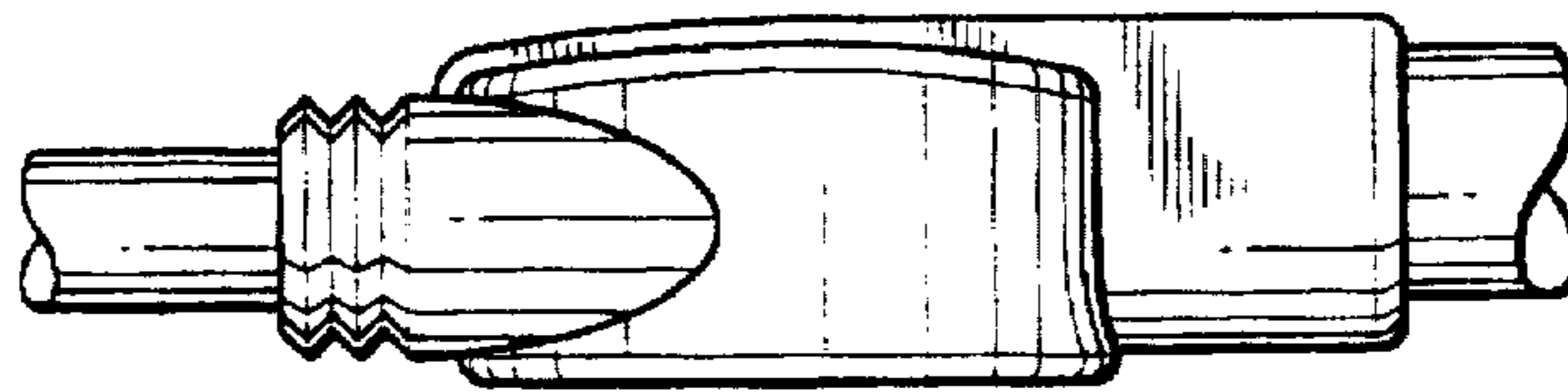


FIG. 5

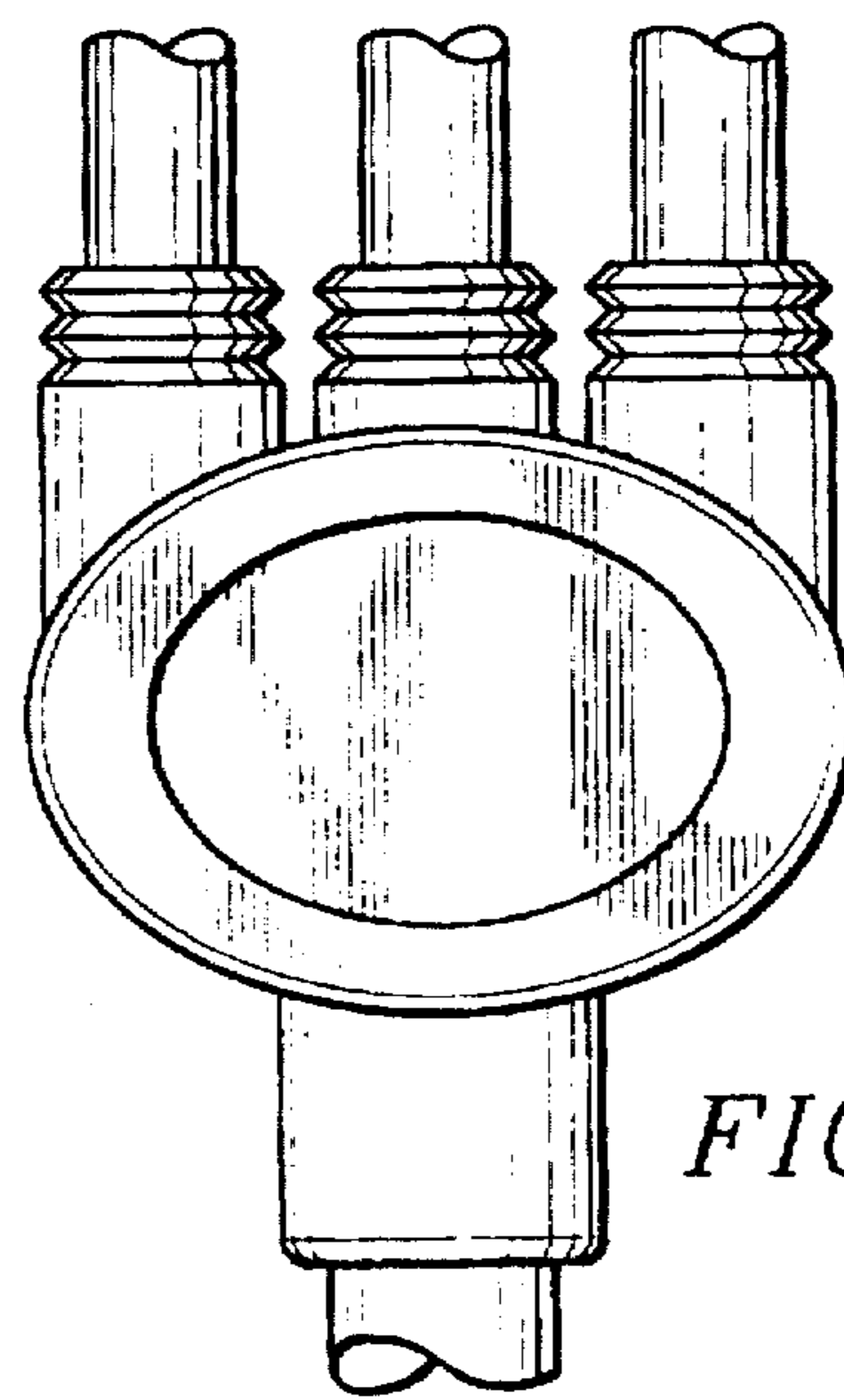


FIG. 6