



US00D387731S

United States Patent [19]
Mitani

[11] **Patent Number: Des. 387,731**

[45] **Date of Patent: **Dec. 16, 1997**

[54] **ELECTRICAL CONNECTOR**

[75] **Inventor: Ikujiro Mitani, Tokyo, Japan**

[73] **Assignee: Hirose Electric Co., Ltd., Tokyo, Japan**

[**] **Term: 14 Years**

[21] **Appl. No.: 60,906**

[22] **Filed: Oct. 10, 1996**

[30] **Foreign Application Priority Data**

Jun. 18, 1996 [JP] Japan 8-17892

[51] **LOC (6) CL 13-03**

[52] **U.S. Cl. D13/133**

[58] **Field of Search D13/133, 146,
D13/147; 439/378, 569, 571, 572, 578,
581, 620, 668, 669, 675**

[56] **References Cited**

U.S. PATENT DOCUMENTS

- D. 316,702 5/1991 Gartwhaite D13/133
- D. 360,617 7/1995 Grande D13/133
- 5,089,670 2/1992 Chen D13/133 X

OTHER PUBLICATIONS

Hosiden Electronics Co. Ltd. DC Power Jacks, center of p. 15, 1986.

Primary Examiner—Alan P. Douglas

Assistant Examiner—Lavone D. Tabor
Attorney, Agent, or Firm—Kanesaka & Takeuchi

[57] **CLAIM**

The ornamental design for an electrical connector, as shown and described.

DESCRIPTION

FIG. 1 is a top plan view of an electrical connector showing an embodiment of my new design;

FIG. 2 is a side elevational view thereof, the opposite side being a mirror image;

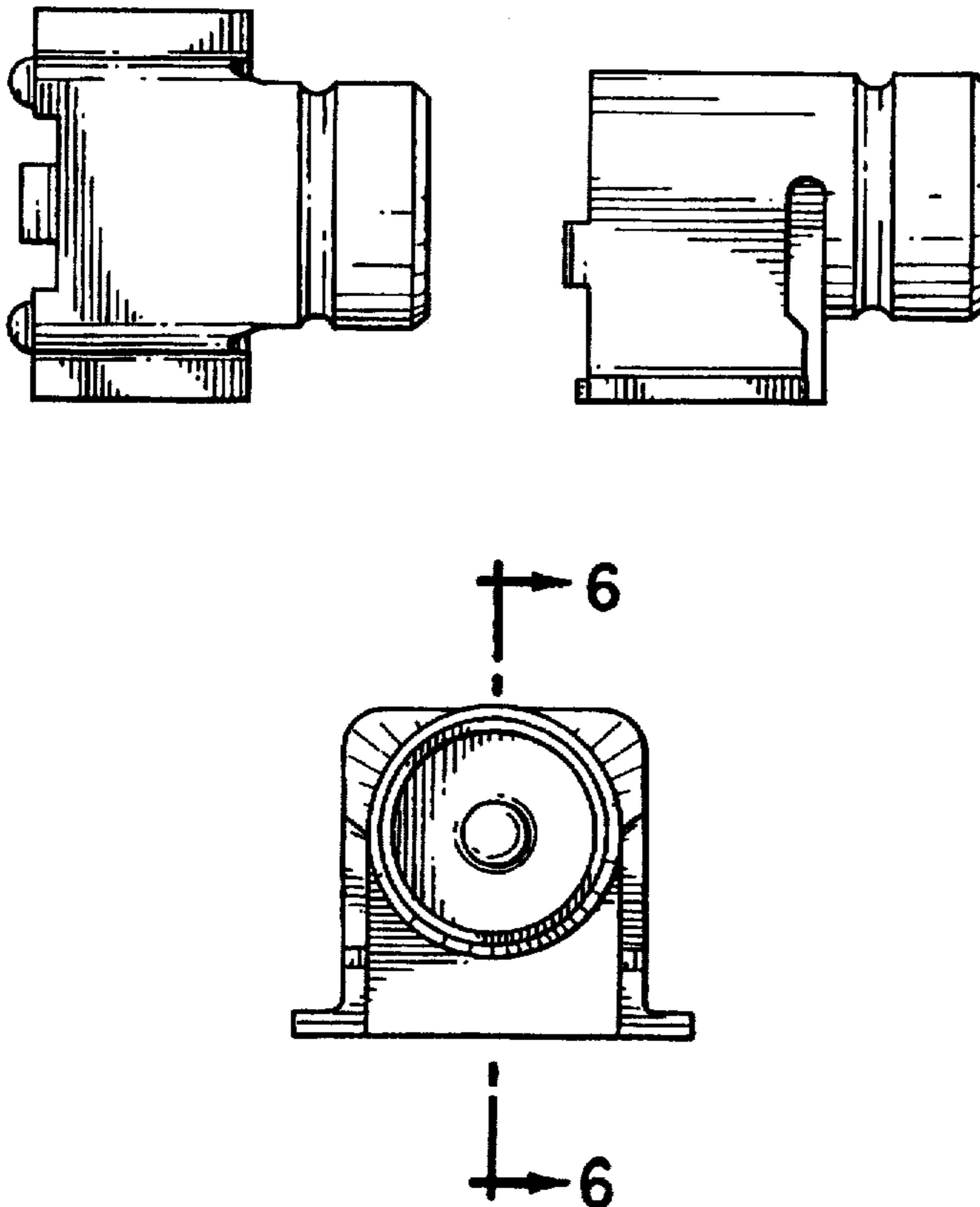
FIG. 3 is a bottom plan view thereof;

FIG. 4 is a rear elevational view thereof;

FIG. 5 is a front elevational view thereof; and,

FIG. 6 is a sectional view taken along line 6—6 of FIG. 5. The cross sectional view is included for the purpose of showing external surface contours which may not be clear from the remaining illustrations. Any features of internal construction which are incidentally shown form no part of the claimed design.

1 Claim, 1 Drawing Sheet



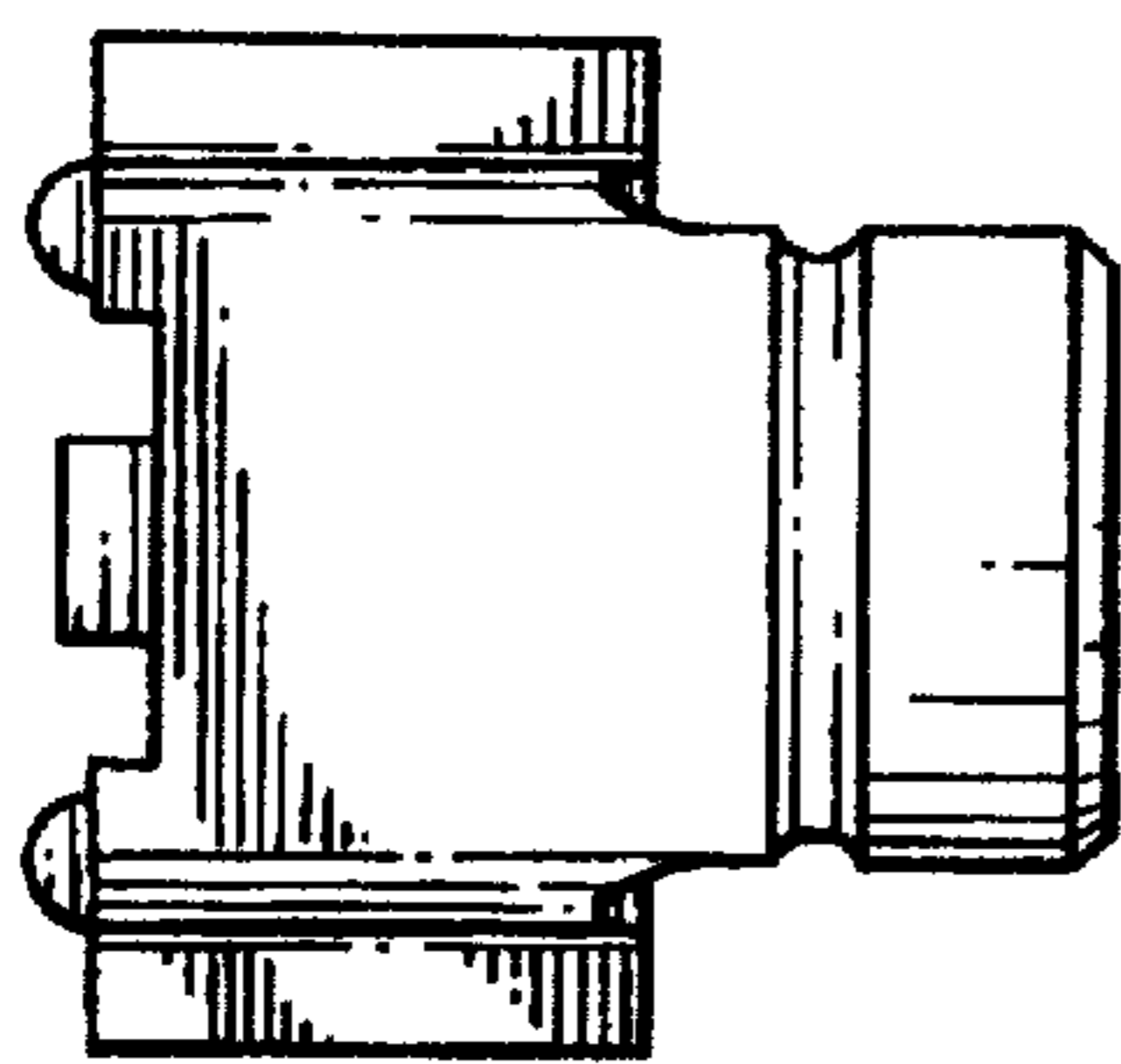


FIG. 1

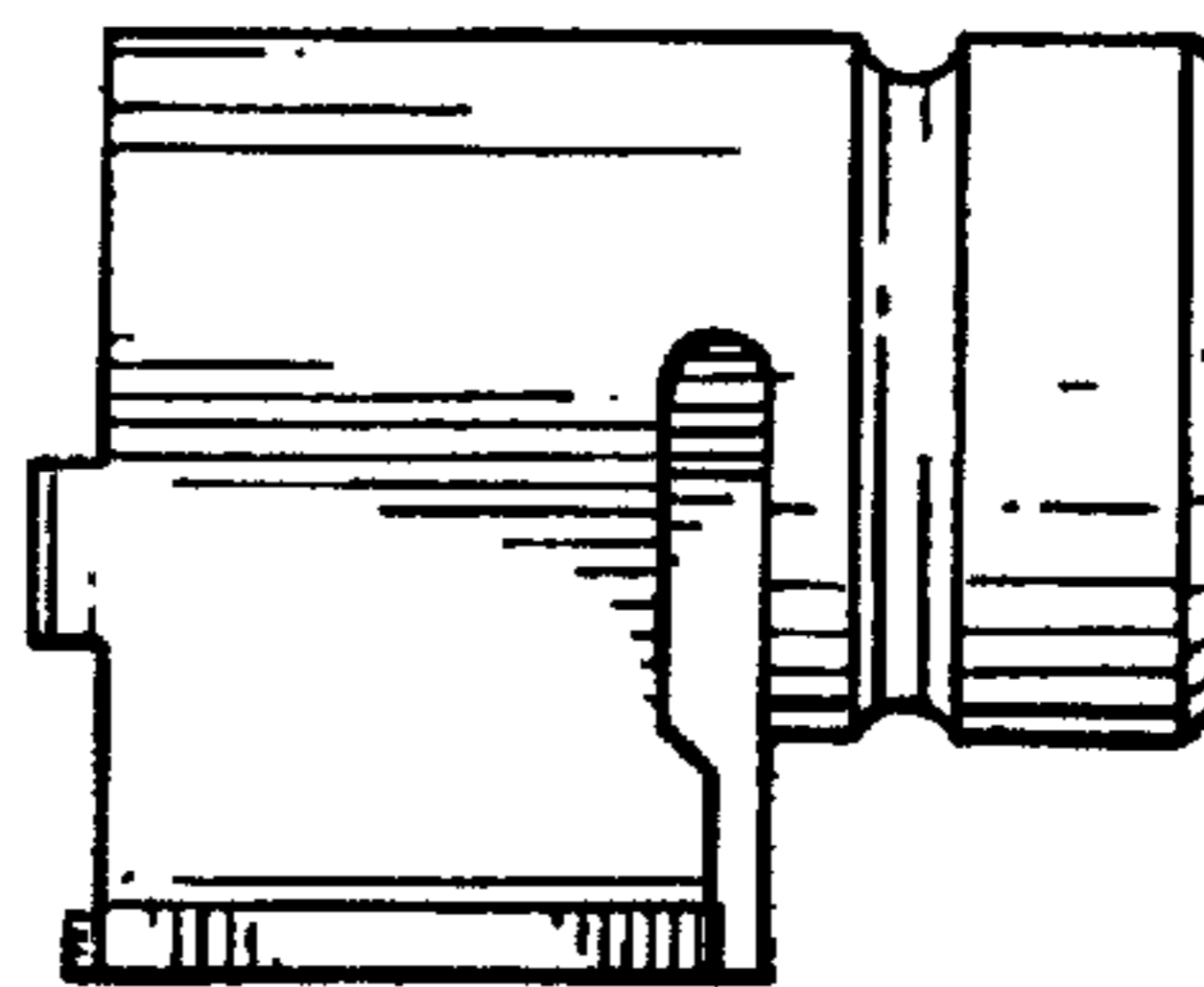


FIG. 2

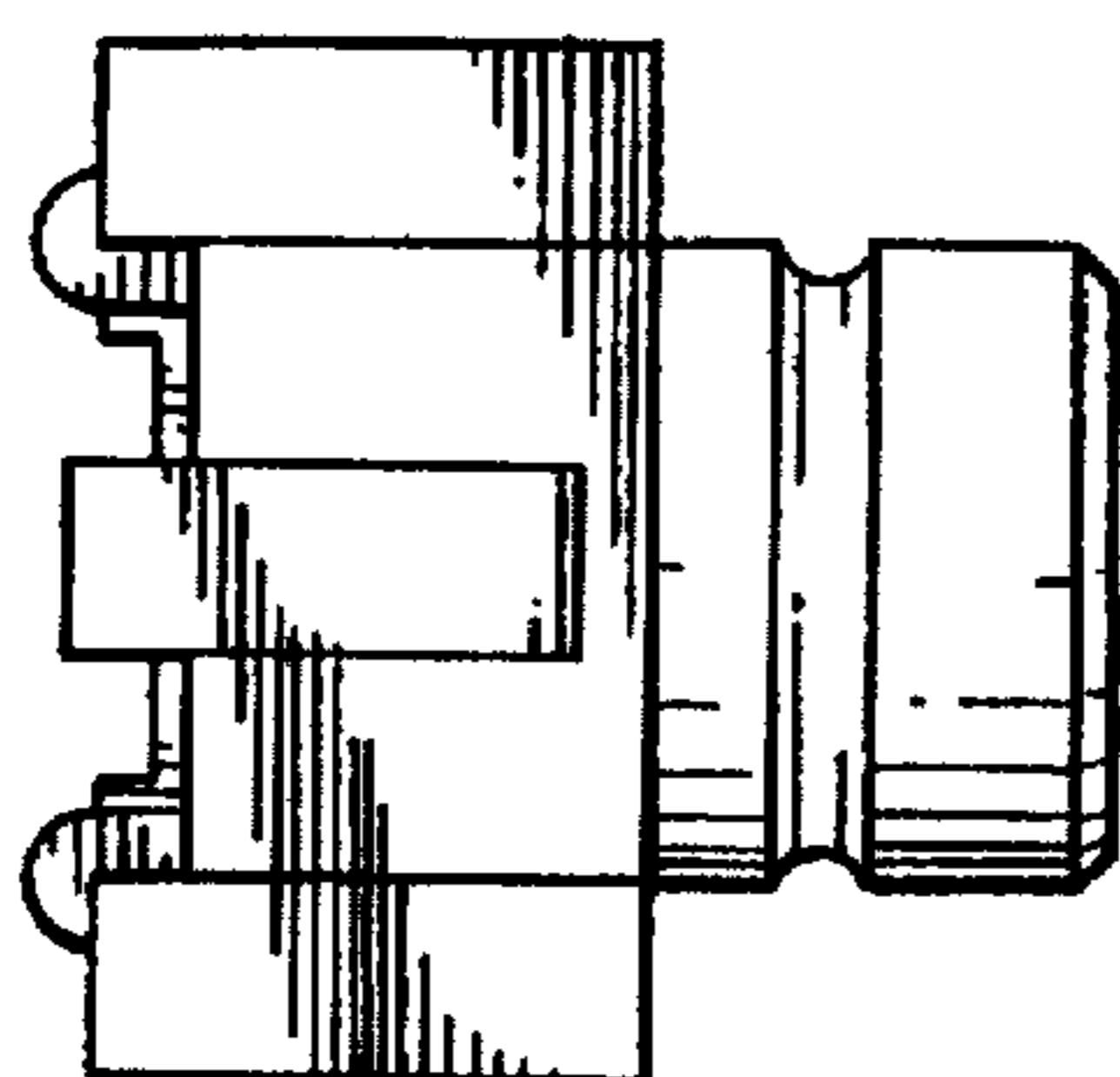


FIG. 3

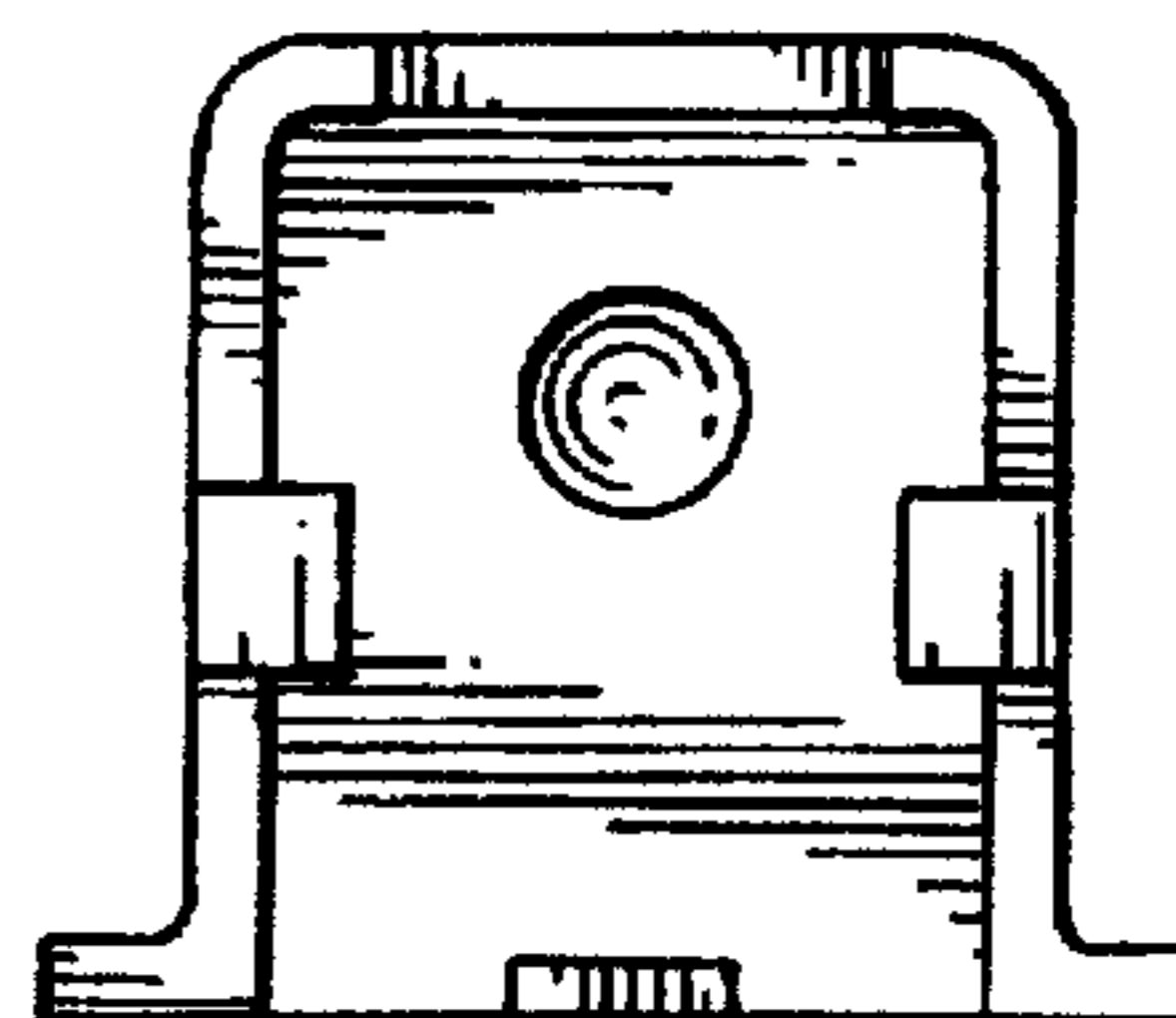


FIG. 4

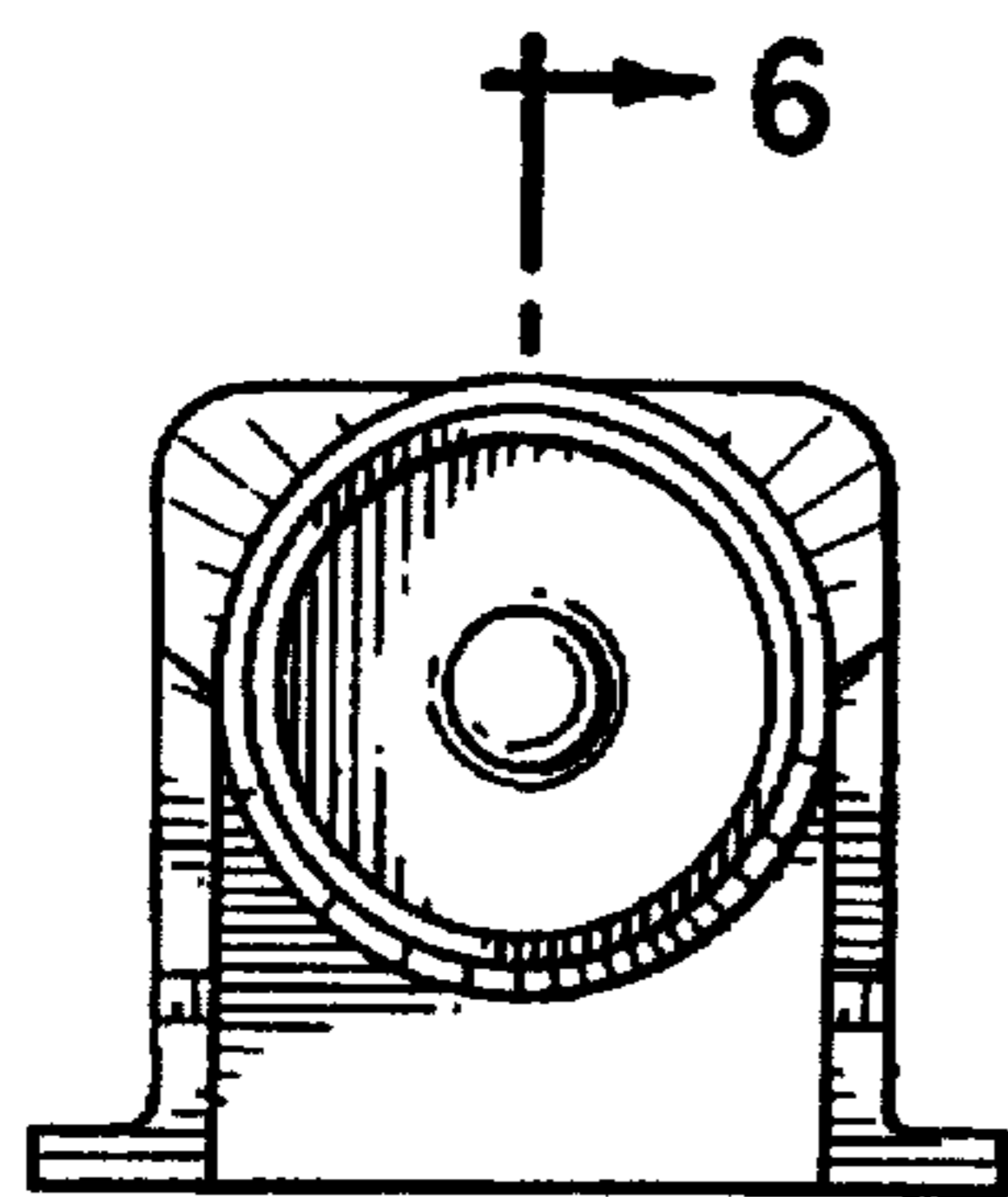


FIG. 5

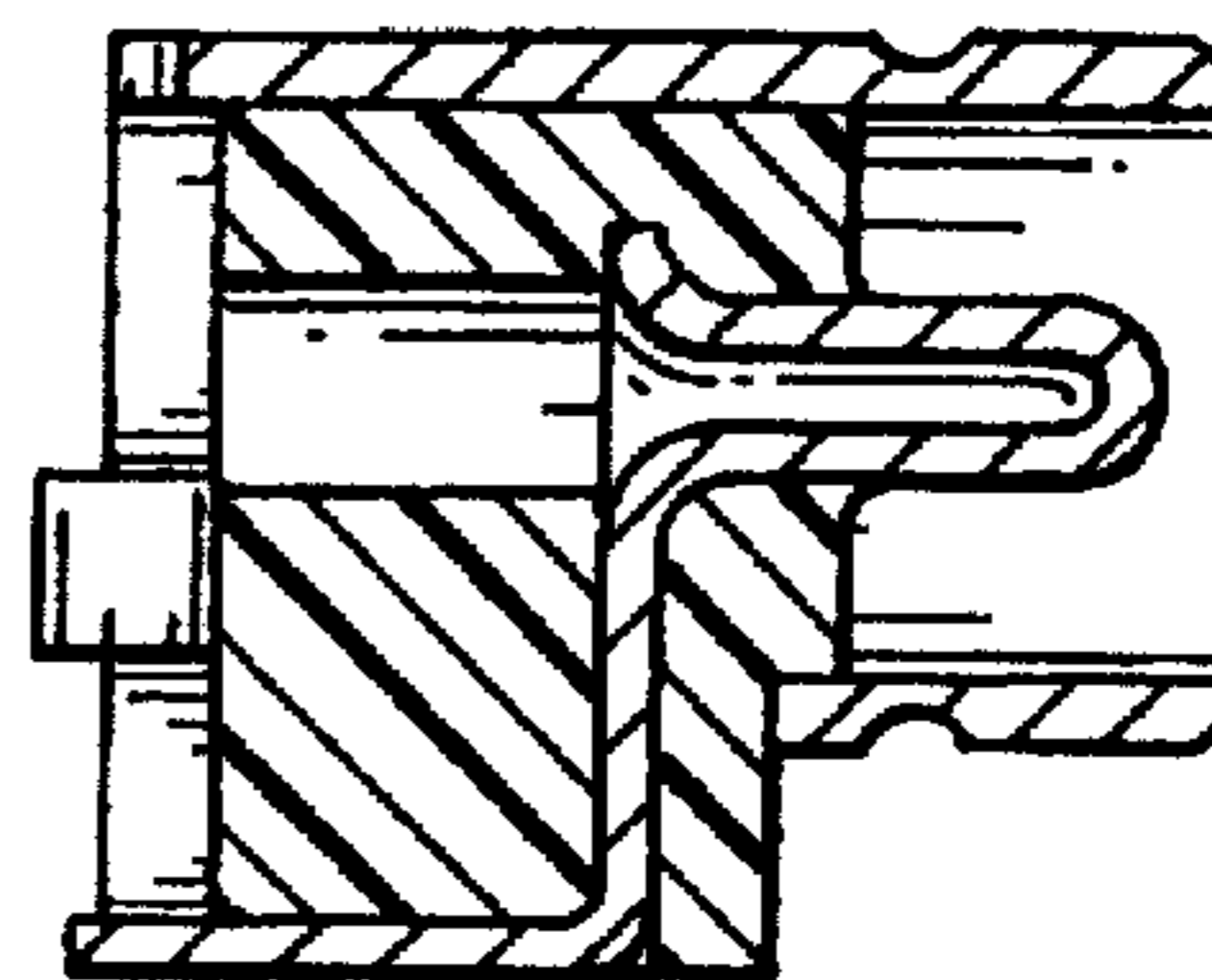


FIG. 6