



US00D387728S

# United States Patent [19]

Kawakami et al.

[11] Patent Number: **Des. 387,728**

[45] Date of Patent: **\*\*Dec. 16, 1997**

[54] **BATTERY PACK**

[75] Inventors: **Takahide Kawakami; Norio Isogai; Youichi Kato**, all of Anjo, Japan

[73] Assignee: **Makita Corporation**, Anjo, Japan

[\*\*] Term: **14 Years**

[21] Appl. No.: **61,852**

[22] Filed: **Nov. 1, 1996**

[30] **Foreign Application Priority Data**

May 9, 1996 [JP] Japan ..... 8-13319

[51] LOC (6) Cl. .... **13-02**

[52] U.S. Cl. .... **D13/103**

[58] Field of Search ..... D13/103; 429/96-100, 429/176, 187

[56] **References Cited**

**U.S. PATENT DOCUMENTS**

D. 304,822 11/1989 Fushiya et al. .... D13/8

D. 321,338	11/1991	Sakamoto et al. ....	D13/103
D. 342,479	12/1993	Kimata .....	D13/103
D. 350,111	8/1994	Okumura .....	D13/103
D. 352,698	11/1994	Okumura .....	D13/103
D. 368,067	3/1996	Okumura .....	D13/103
4,880,713	11/1989	Levine .....	429/100

*Primary Examiner*—Joel Sincavage  
*Attorney, Agent, or Firm*—Lahive & Cockfield, LLP

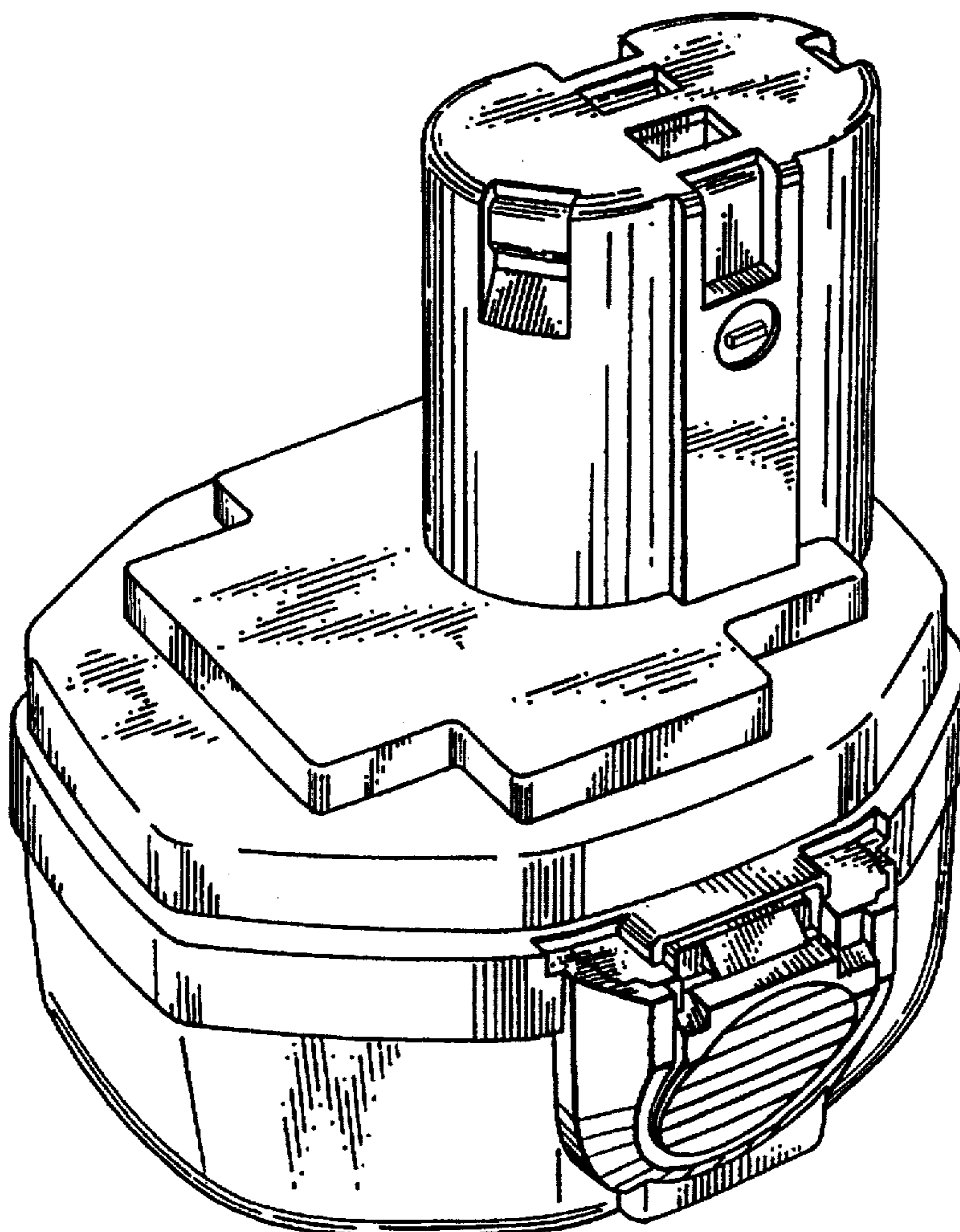
[57] **CLAIM**

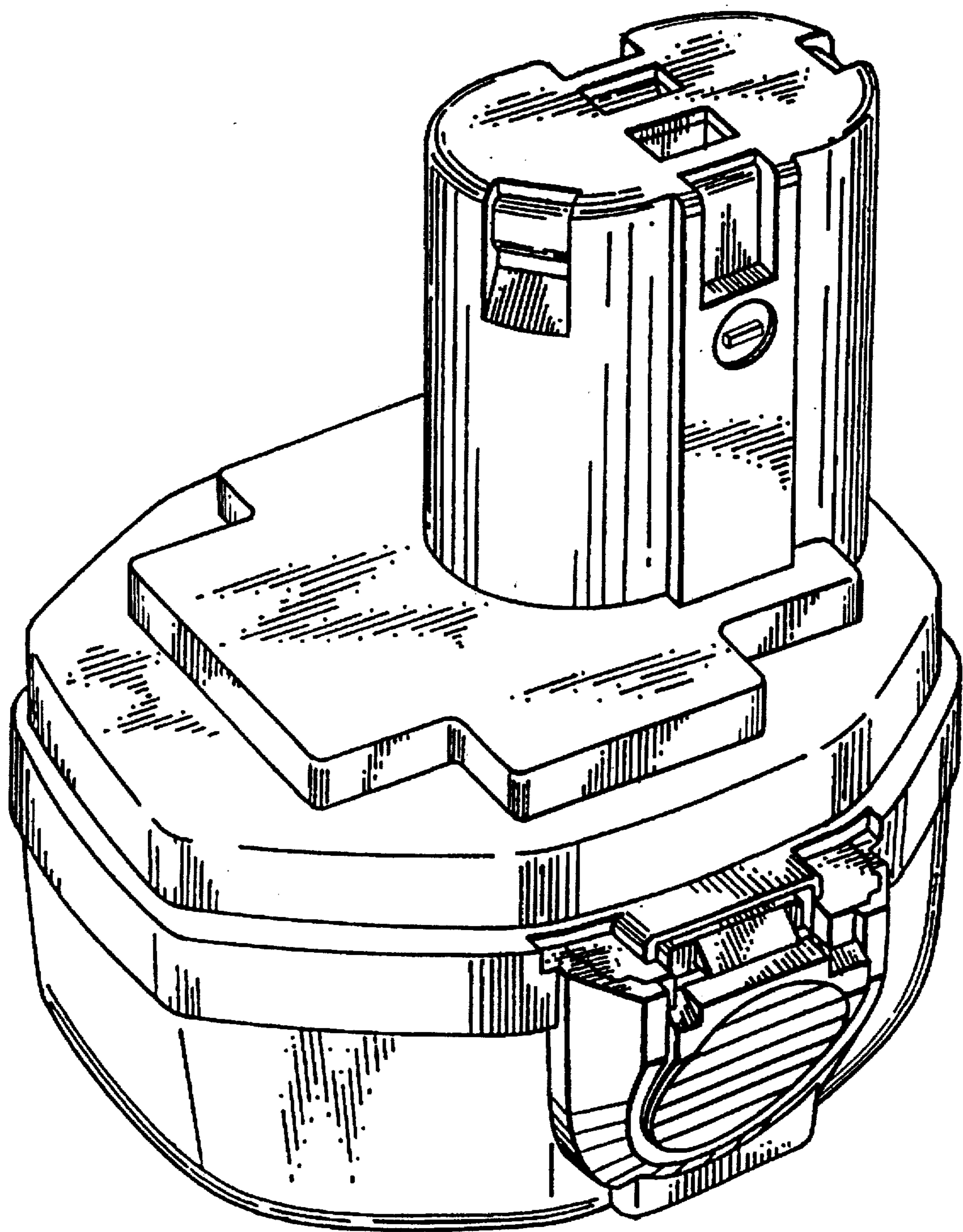
The ornamental design for a battery pack, as shown and described.

**DESCRIPTION**

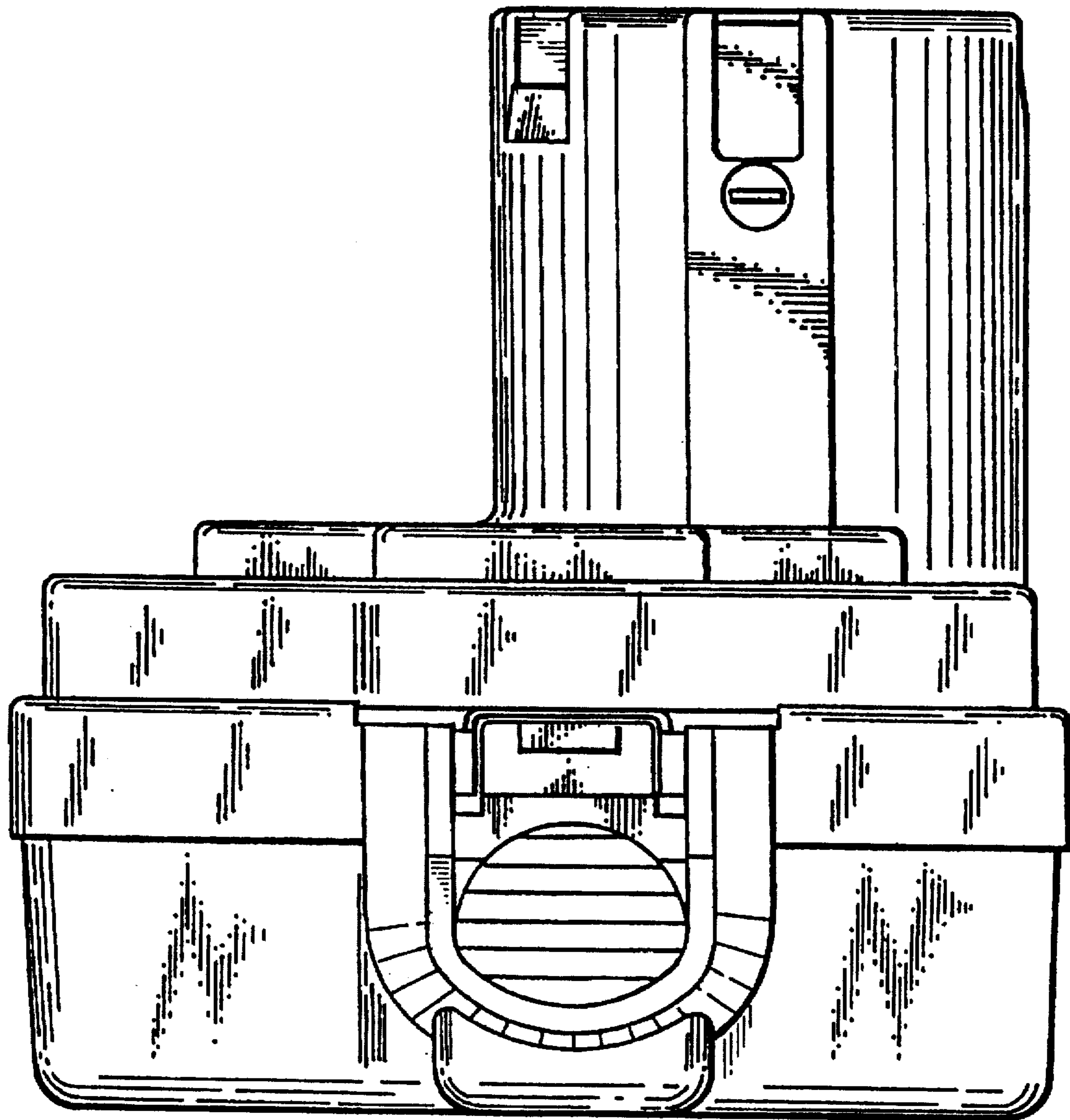
FIG. 1 is a perspective view of a battery pack showing my new design;  
FIG. 2 is a left side elevational view thereof;  
FIG. 3 is a right side elevational view thereof;  
FIG. 4 is a front elevational view thereof;  
FIG. 5 is a rear side elevational view thereof;  
FIG. 6 is a top plan view thereof; and,  
FIG. 7 is a bottom plan view thereof.

**1 Claim, 7 Drawing Sheets**

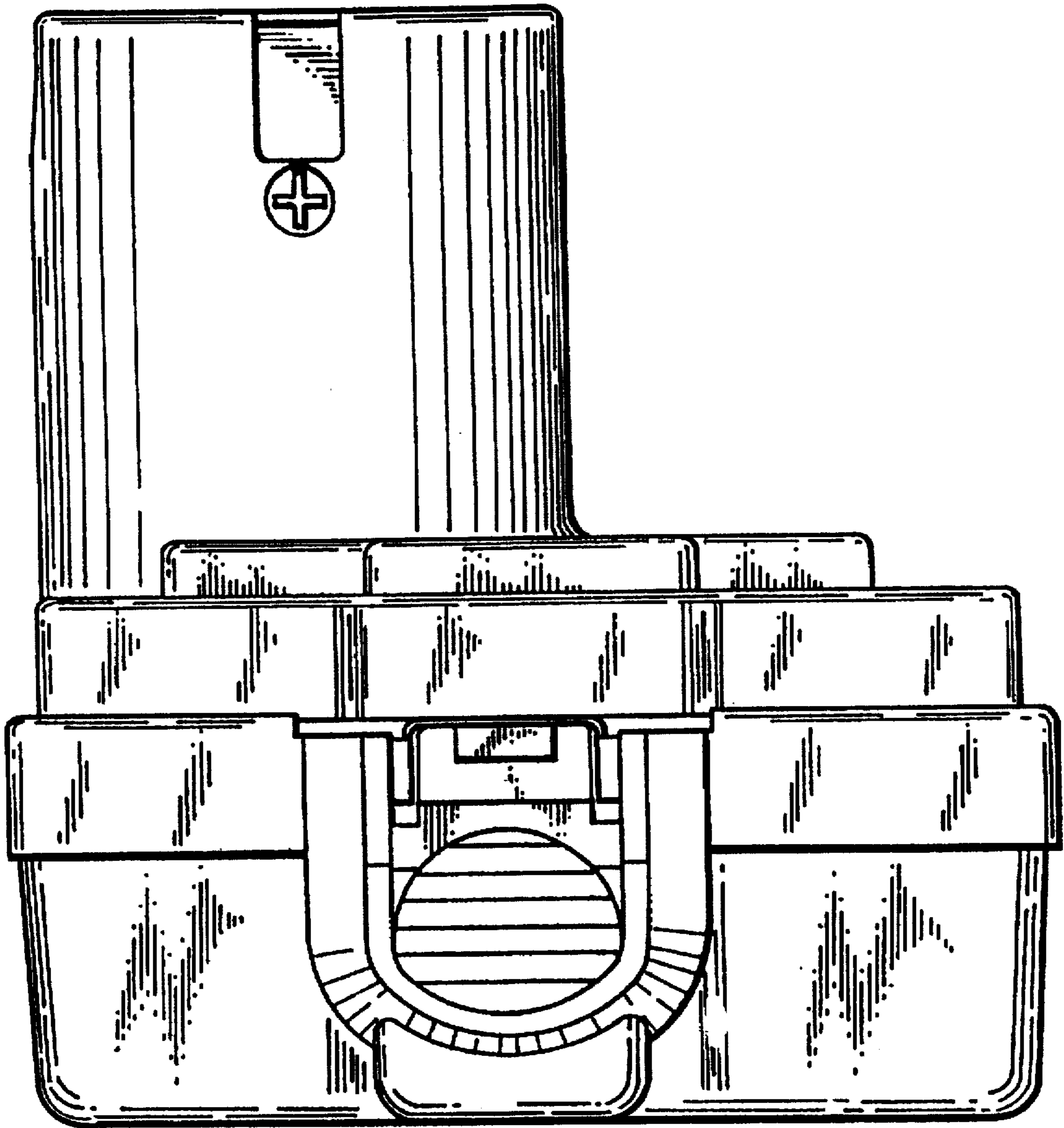




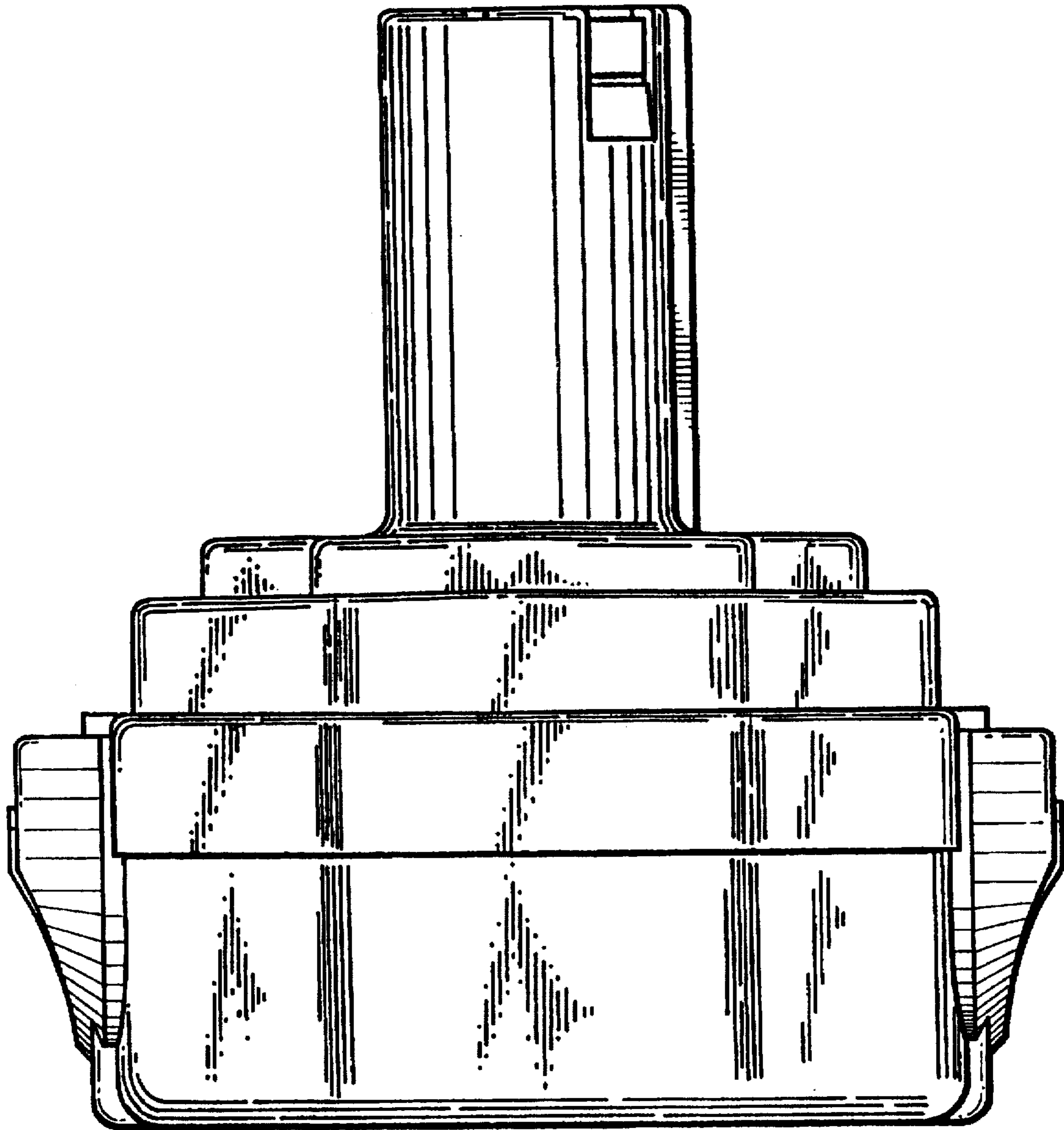
*FIG. 1*



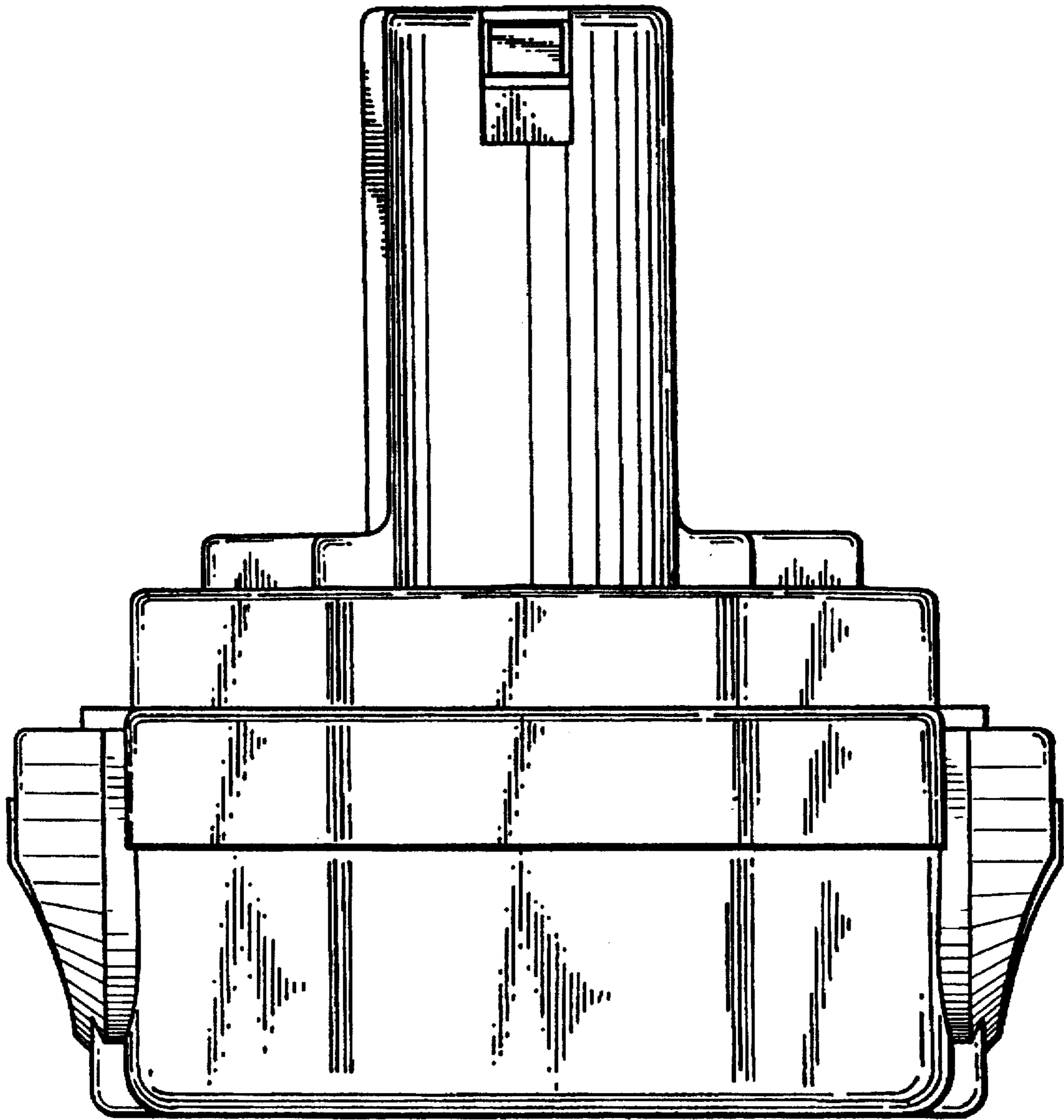
*FIG. 2*



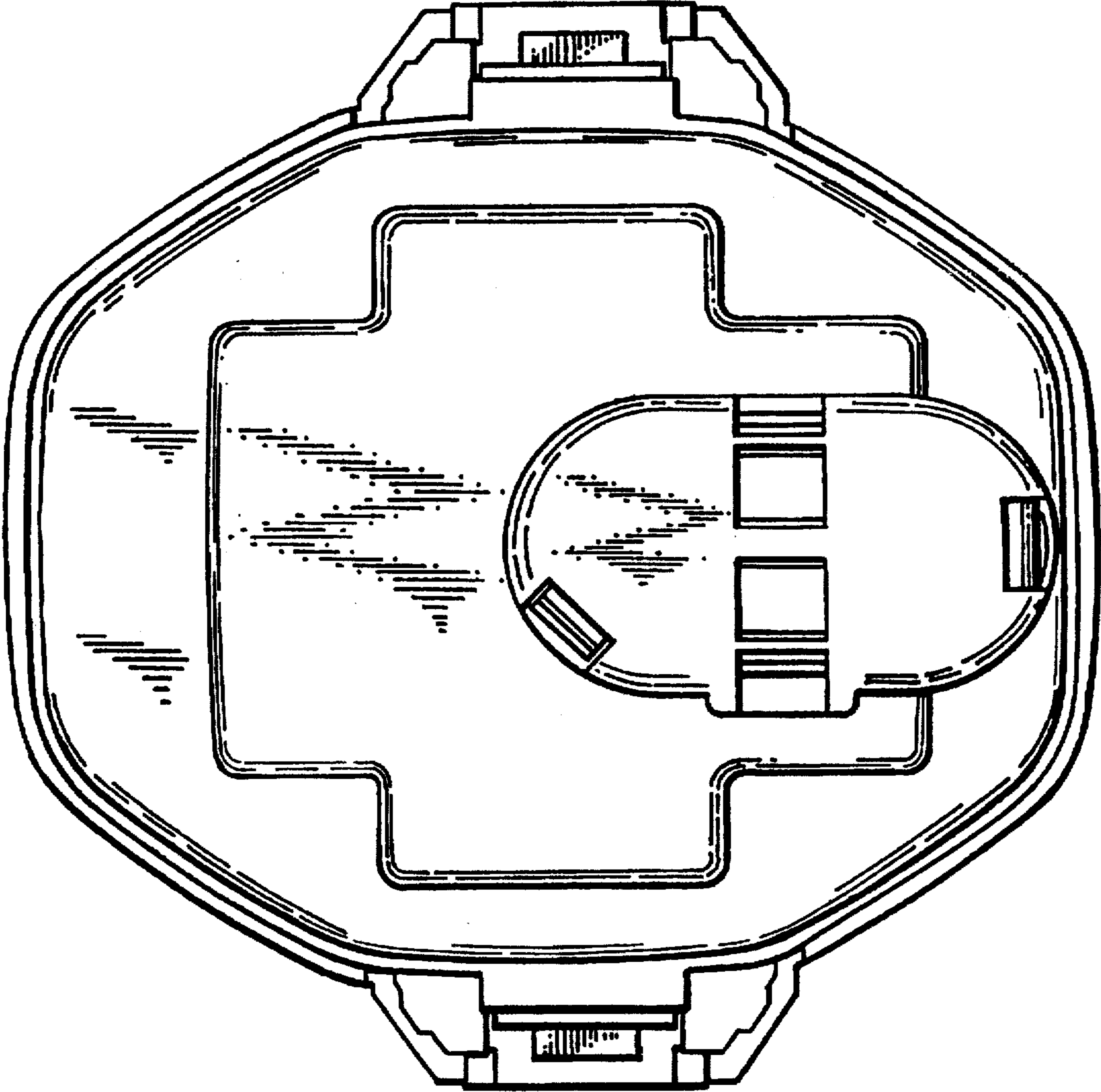
*FIG. 3*



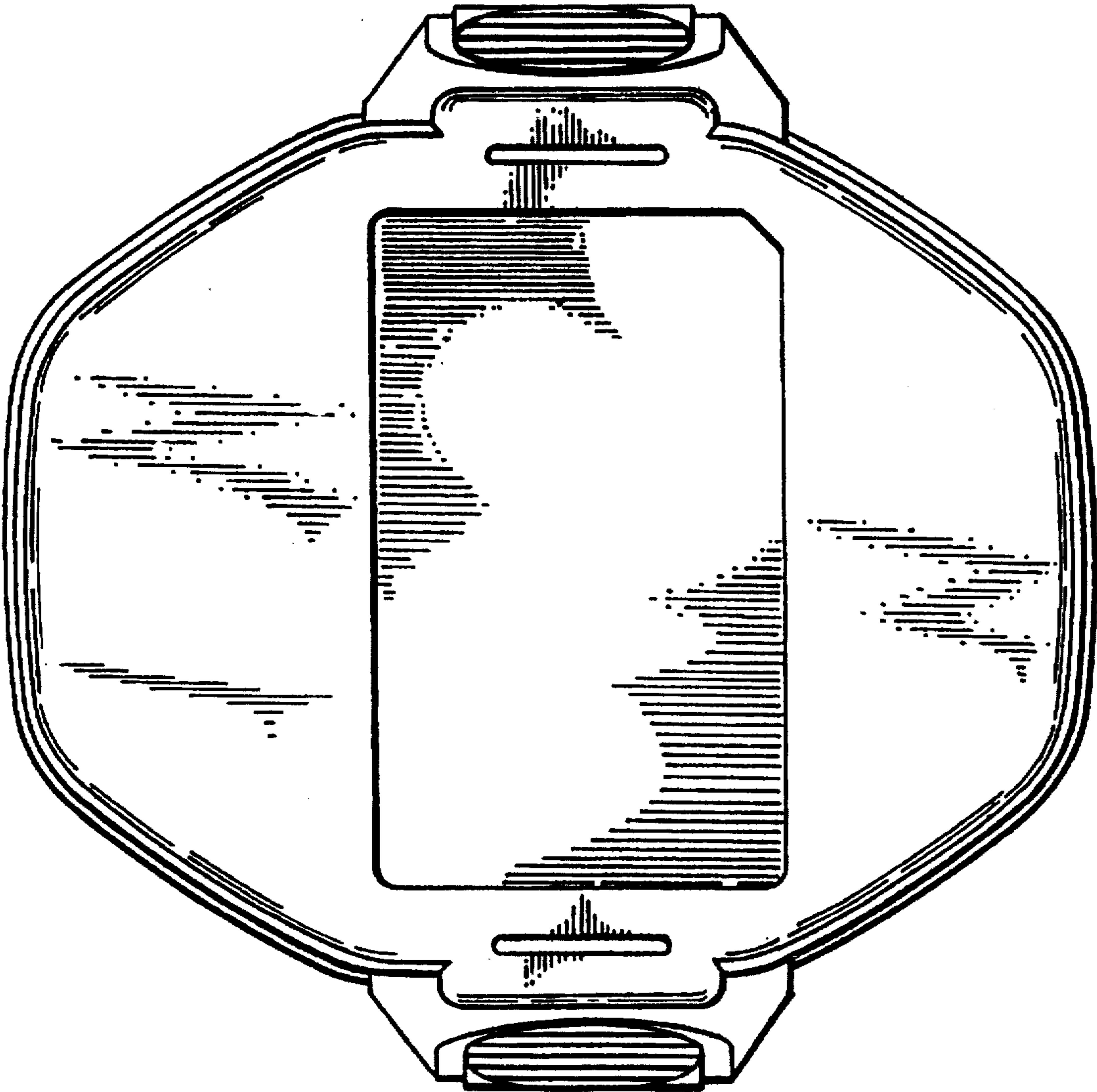
*FIG. 4*



*FIG. 5*



*FIG. 6*



*FIG. 7*