

US00D387724S

United States Patent [19] Chung

[11] Patent Number: Des. 387,724
[45] Date of Patent: **Dec. 16, 1997

[54] VEHICLE WHEEL FRONT FACE
[75] Inventor: Suny Chung, Placentia, Calif.
[73] Assignee: American Racing Equipment, Inc.,
Rancho Dominguez, Calif.
[**] Term: 14 Years
[21] Appl. No.: 52,354
[22] Filed: Mar. 28, 1996
[51] LOC (6) Cl. 12-16
[52] U.S. Cl. D12/209
[58] Field of Search D12/204-213;
301/64.1, 65

D. 363,911 11/1995 Chung D12/209
D. 363,912 11/1995 Chung D12/209
D. 363,913 11/1995 Chung D12/209
D. 367,460 2/1996 Chung D12/209
D. 367,461 2/1996 Chung D12/209

OTHER PUBLICATIONS

Wheel Information Guide (Summer 1991) American Eagle Wheel Corp.
Amtech, Amtech Wheel Inc. (no date).
Jobber Price Sheet (1992) Custom Wheels.
Craggar, "The Wheel People" (no date).
Catalogue, "Choice of the Motorsport Generation" (1992).
Enkei, "One Step Ahead", Golden Wheel Corp. (no date).
Epic Wheels, "Extending Beyond the Ordinary" (1992).
Formula (no date).
Warehouse Distributor Price List (Mar. 8, 1991) Keystone.
Optima (no date).
Primax Wheel Corp. (no date).
Prime (no date).

(List continued on next page.)

Primary Examiner—James Gandy
Assistant Examiner—Stacia Sinuik
Attorney, Agent, or Firm—Thompson Hine & Flory LLP

[56] References Cited

U.S. PATENT DOCUMENTS

D. 85,591 11/1931 Munson D12/209
D. 176,544 1/1956 Lyon D14/30
D. 232,432 8/1974 Clary D12/209
D. 248,295 6/1978 Day et al. D12/206
D. 272,431 1/1984 Hedlund D12/211
D. 292,568 11/1987 Cafaro et al. D12/209
D. 292,691 11/1987 Envall D12/206
D. 292,693 11/1987 Cattaneo D12/211
D. 300,422 3/1989 Schinella D12/209
D. 318,449 7/1991 Lipper D12/211
D. 329,416 9/1992 Braungart et al. D12/209
D. 334,730 4/1993 Chung D12/209
D. 339,316 9/1993 Chung D12/209
D. 339,317 9/1993 Chung D12/209
D. 339,561 9/1993 Maiworm et al. D12/211
D. 351,581 10/1994 Chung D12/209
D. 351,582 10/1994 Echazabel et al. D12/209
D. 351,821 10/1994 Oka D12/209
D. 360,179 7/1995 Fuller D12/211
D. 360,866 8/1995 Echazabal et al. D12/209
D. 363,457 10/1995 Coddington D12/701
D. 363,910 11/1995 Chung D12/209

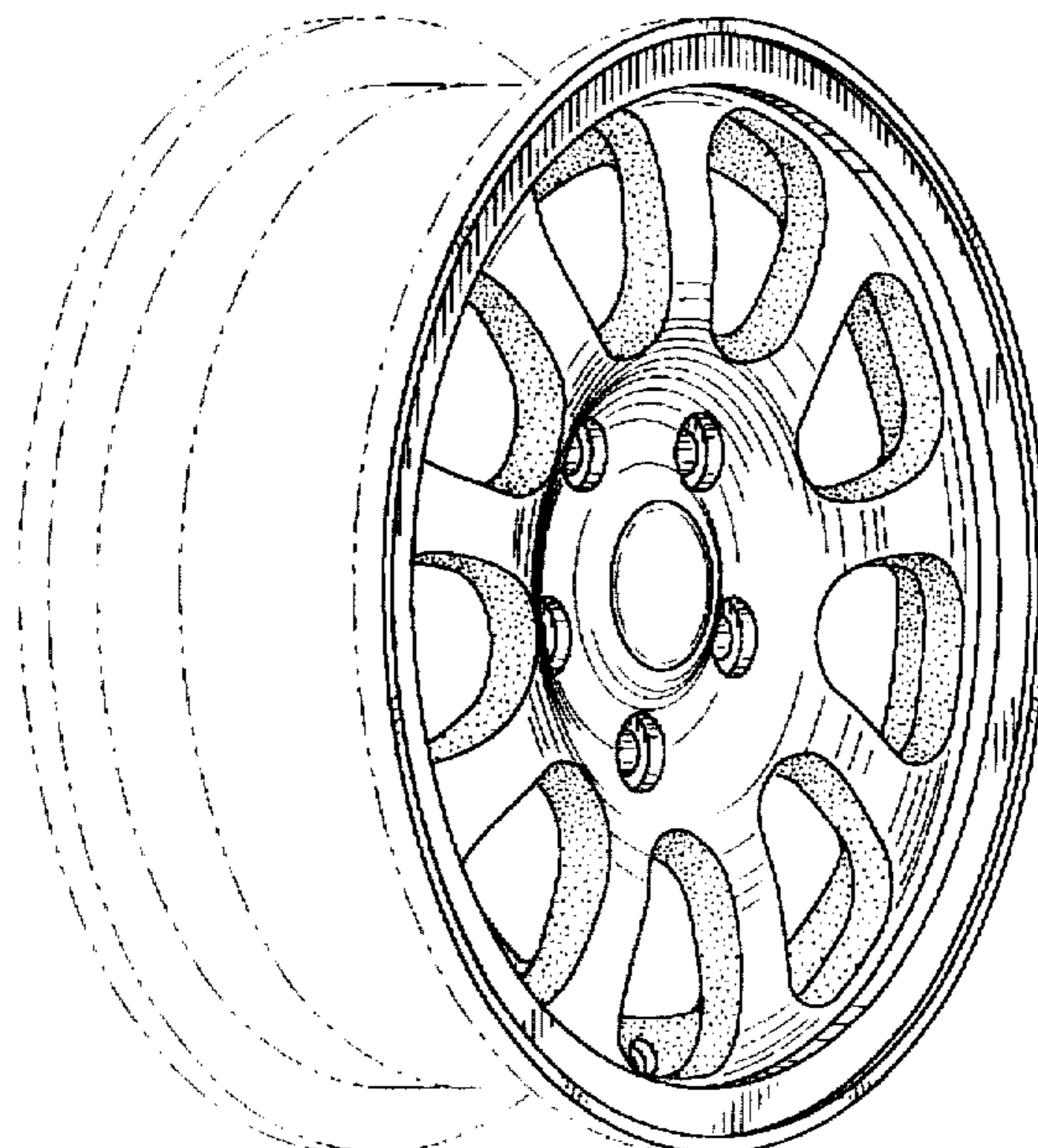
[57] CLAIM

The ornamental design for a vehicle wheel front face, as shown and described.

DESCRIPTION

FIG. 1 is a front perspective view of my new vehicle wheel front face; and,
FIG. 2 is a front elevational view thereof.
The broken lines shown in FIG. 1 of the drawings are for illustrative purposes only and the subject matter depicted thereby constitutes no part of the claimed design.

1 Claim, 1 Drawing Sheet



OTHER PUBLICATIONS

- Catalog Progressive, "Make the Move to Progressive" (1991).
Catalogue, Pure Custom Wheels, (1992).
"Express Yourself", Autotrend (no date).
"Driven to be the Best", Sendel Performance Alloy Wheels (no date).
Sec (no date).
Spectrum Custom Wheels, DNA Specialty Inc. (no date).
Wheels, Billet Specialties Inc. (no date).
American Racing Equipment, Custom Wheels, (Spring '94).
Enkei, Golden Wheel Corp. (no date).
Billet Wheels, Billet Specialties Inc. (no date).
Ultra Custom Wheels (no date).
Funsa, Custom Wheel and Tire Style Guide, p. 31 (Type V3 HIRO-V3) (1993).
1989 Tread Design Guide, p. 86, Enkei 84 Series (top left of page).
1989 Tread Design Guide, p. 87, Et. Airflow Dular (far right, second down).
Tire Review, Jun. 1991, Custom Wheel & Tire Style Guide Supplement p. 15.
Tire Review, May 1992, Custom Wheel & Style Guide Supplement p. 17.
Tire Review, May 1992, Custom Wheel & Tire Style Guide Supplement p. 19.
- Amtech Wheel Inc., Fall 1995 Pricing.
Ultra, "The Ultimate Experience" (no date).
Ultra Custom Wheels, 2nd Edition (1991).
Keystone Maglite (no date).
Tire Review, May 1993, CWTSG pp. 30 & 33.
American Racing Equipment Custom Wheels (Feb. 1, 1991).
Epic (1995) Wheel Components Inc.
Prime Wheels, "Get Primed" (no date).
Progressive, Catalog Supplement, (1991).
KMC Custom Wheels (no date).
Ronald (no date).
Pure USA (no date) Pure Custom Wheels.
Progressive Custom Wheels, "On The Edge" (no date).
Ultra Custom Wheels (1995).
CTA (no date).
Prime Wheels, Catalog (1994).
PLW, "The Image of Success" (1995-1996).
SEC Alloy Wheels, Application Guide (Oct. 1995).
Dayton Wheel Products (no date).
The New SEC Alloy Wheels (1996).
Niche "You Saw Niche First" (no date).
Ultra Custom Wheels "Art in Motion" (1996).
The American Flyer, Amer. Racing Eqv. (Oct. 1995).
Progressive Custom Wheels (1996).
Niche Road Wheels "Corillian Truck?" (no date).

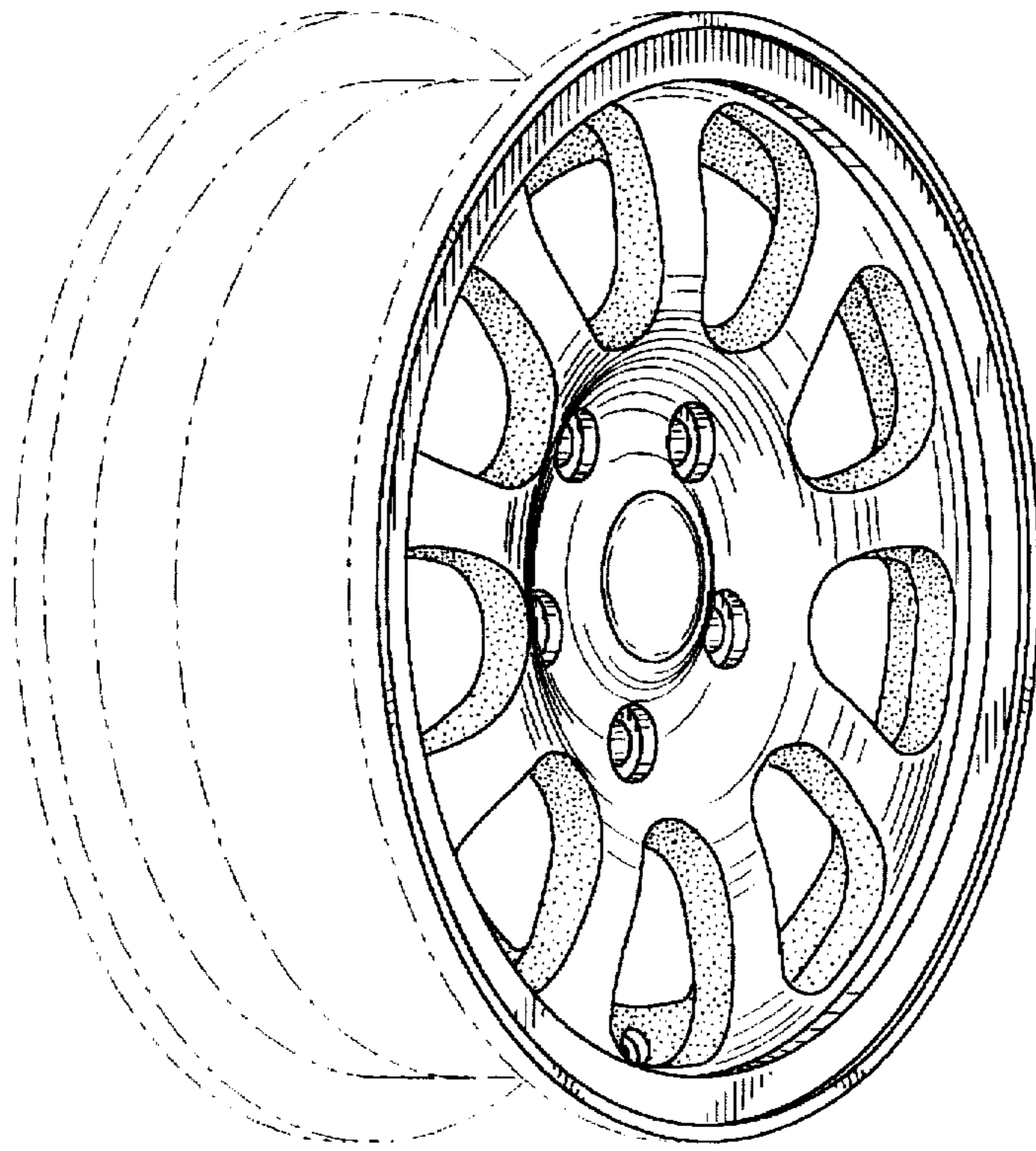


FIG. 1

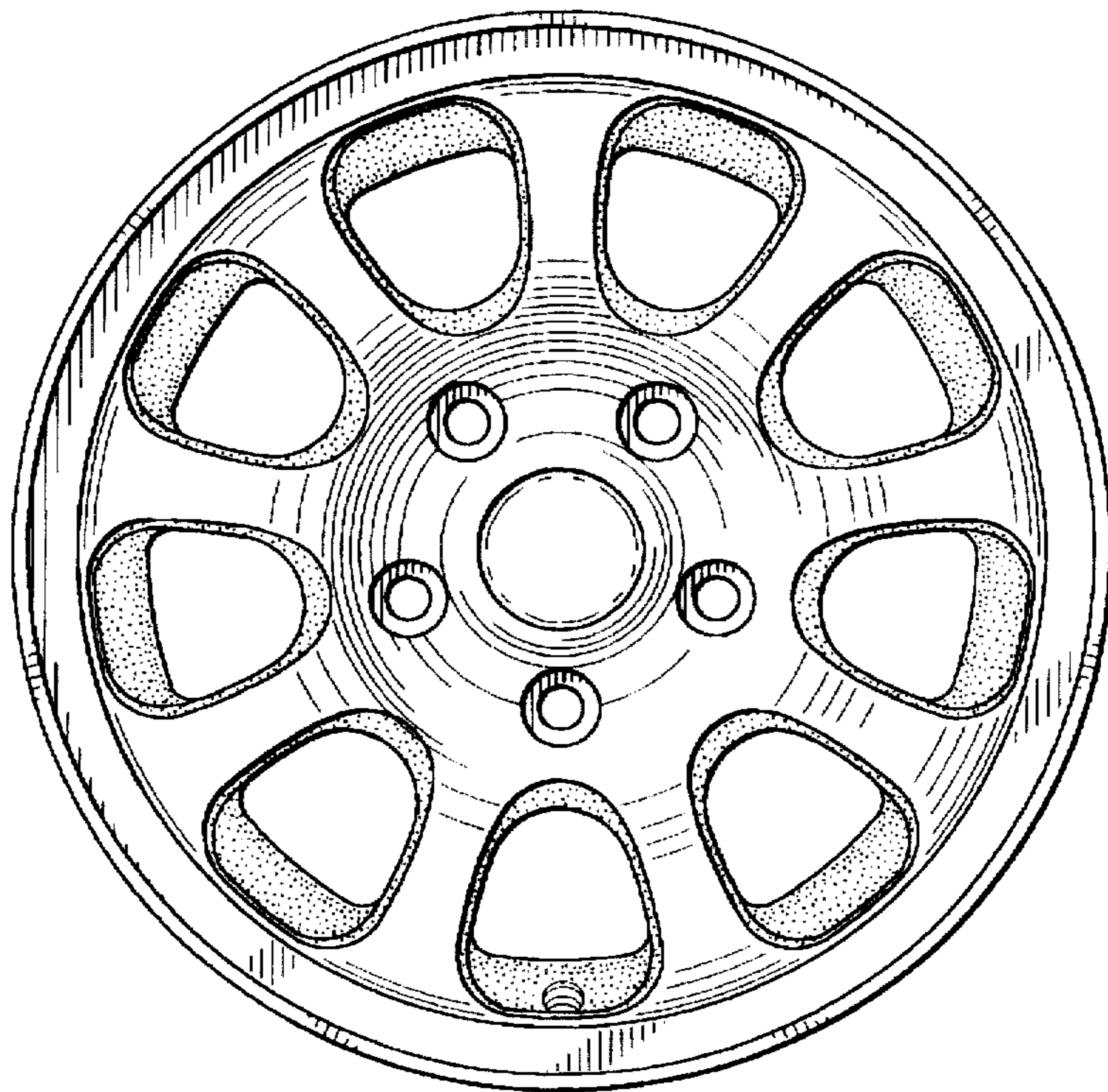


FIG. 2