



US00D387722S

**United States Patent** [19]  
**Fujinaka**

[11] **Patent Number:** **Des. 387,722**  
[45] **Date of Patent:** **\*\*Dec. 16, 1997**

[54] **TRUCK TAILGATE PROTECTOR**  
[76] **Inventor:** **Marvin M. Fujinaka**, 1735 Poloke St.,  
Kappa, Hi. 96746  
[\*\*] **Term:** **14 Years**  
[21] **Appl. No.:** **44,714**  
[22] **Filed:** **Sep. 29, 1995**  
[51] **LOC (6) Cl.** ..... **12-16**  
[52] **U.S. Cl.** ..... **D12/167**  
[58] **Field of Search** ..... **D12/167, 98, 190;**  
**D25/75, 79; 296/50, 57.1; 293/102-142**

5,067,644 11/1991 Coleman ..... 224/309  
5,076,636 12/1991 Buck et al. .... 296/180.1  
5,117,532 6/1992 Holland ..... 296/50

*Primary Examiner*—Louis S. Zarfes  
*Assistant Examiner*—Frank Martinez

[57] **CLAIM**

The ornamental design for a truck tailgate protector, as shown and described.

**DESCRIPTION**

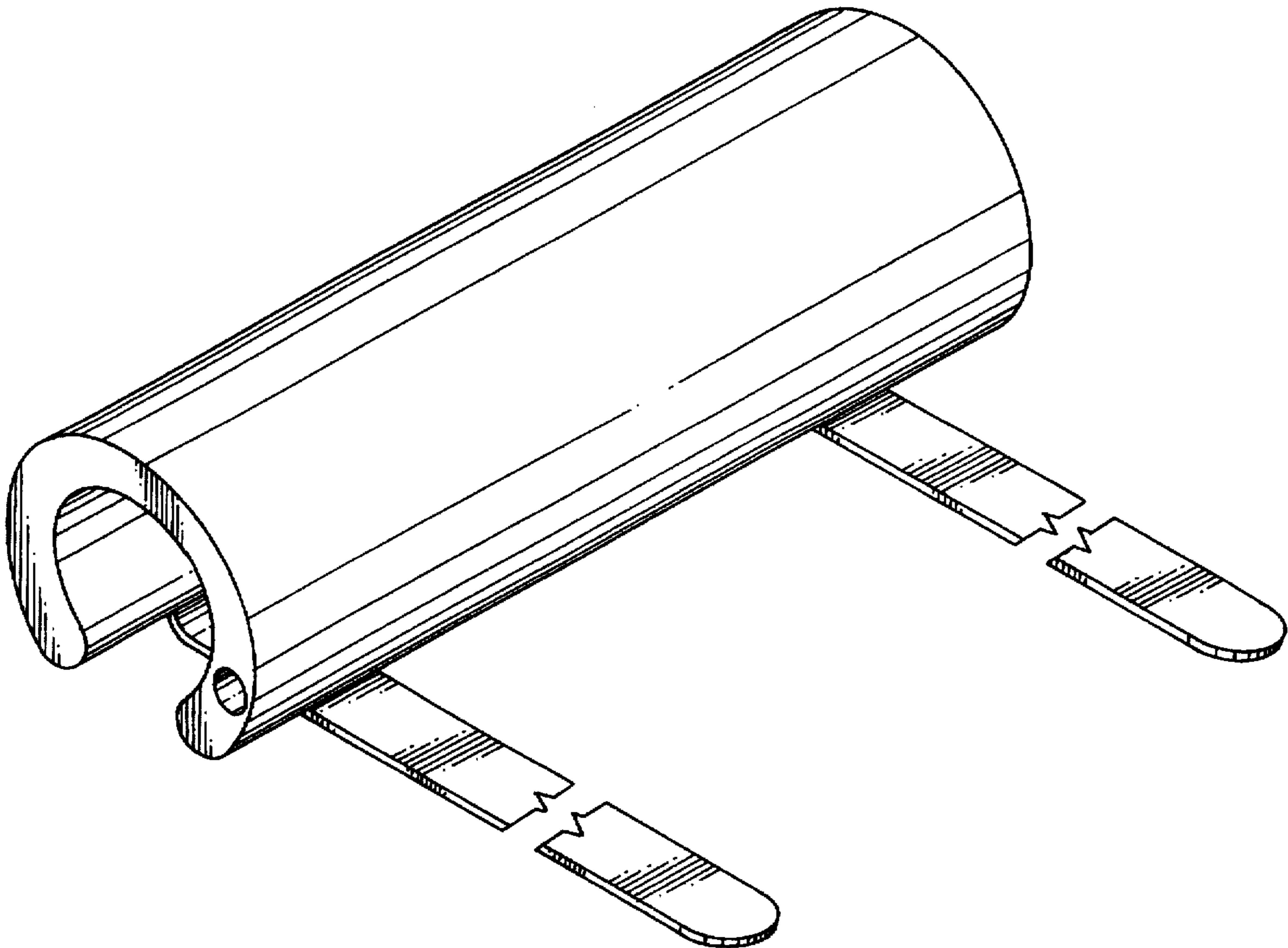
FIG. 1 is a perspective view of the truck tailgate protector showing my new design;  
FIG. 2 is a left end view thereof;  
FIG. 3 is a right end view thereof;  
FIG. 4 is a front elevational view thereof;  
FIG. 5 is a rear elevational view thereof;  
FIG. 6 is a top plan view thereof; and,  
FIG. 7 is a bottom plan view thereof.  
The straps are shown broken to indicate indeterminate length.

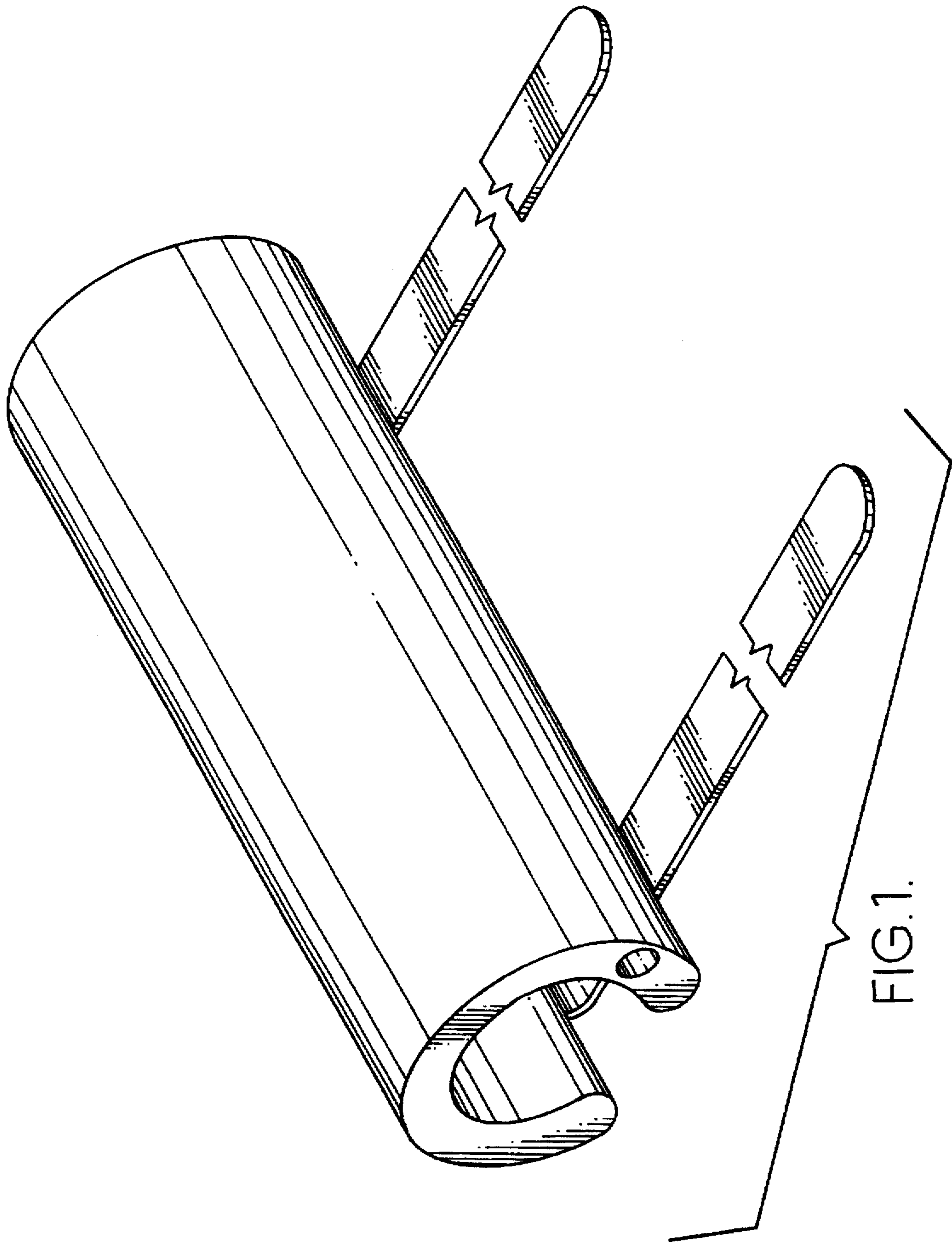
[56] **References Cited**

**U.S. PATENT DOCUMENTS**

D. 281,061	10/1985	Tortolani	.....	D12/167
D. 299,819	2/1989	Katz et al.	.....	D12/167
D. 309,593	7/1990	Bailey	.....	D12/167
D. 312,439	11/1990	Adell	.....	D12/167
4,159,843	7/1979	Crossman	.....	296/1 S
4,818,006	4/1989	Arndt	.....	410/110
4,957,400	9/1990	Karp	.....	410/110

**1 Claim, 3 Drawing Sheets**





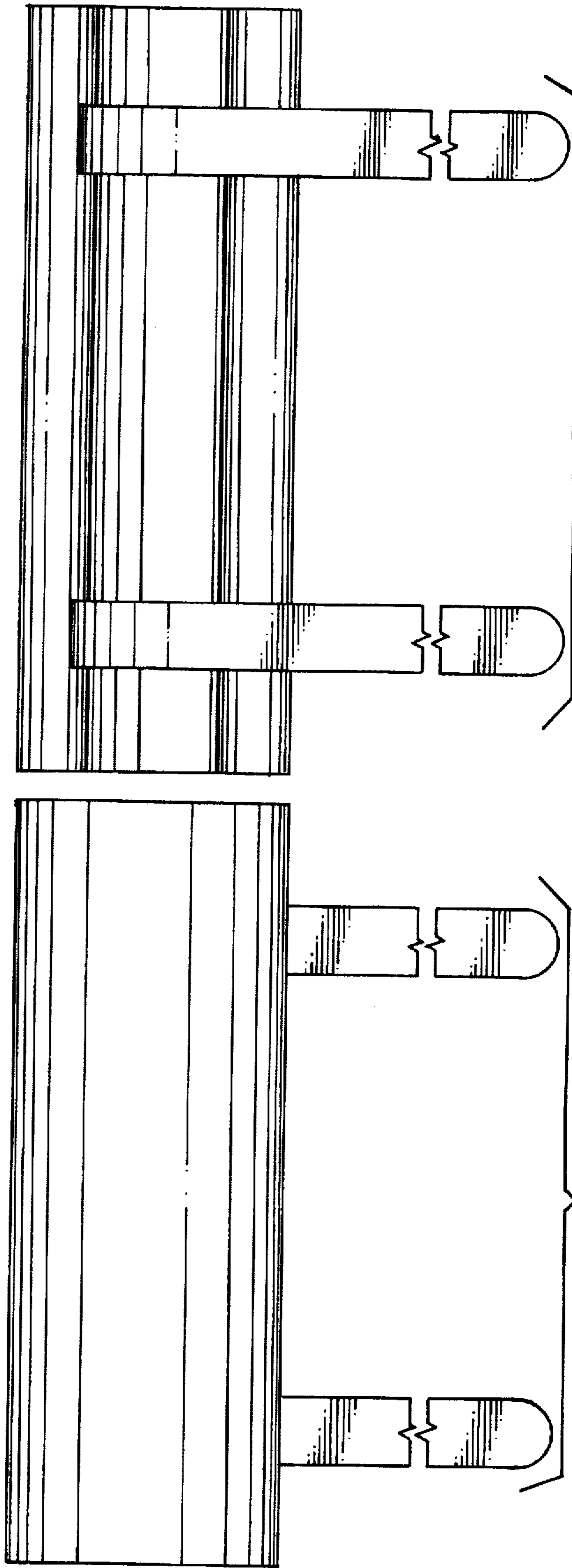
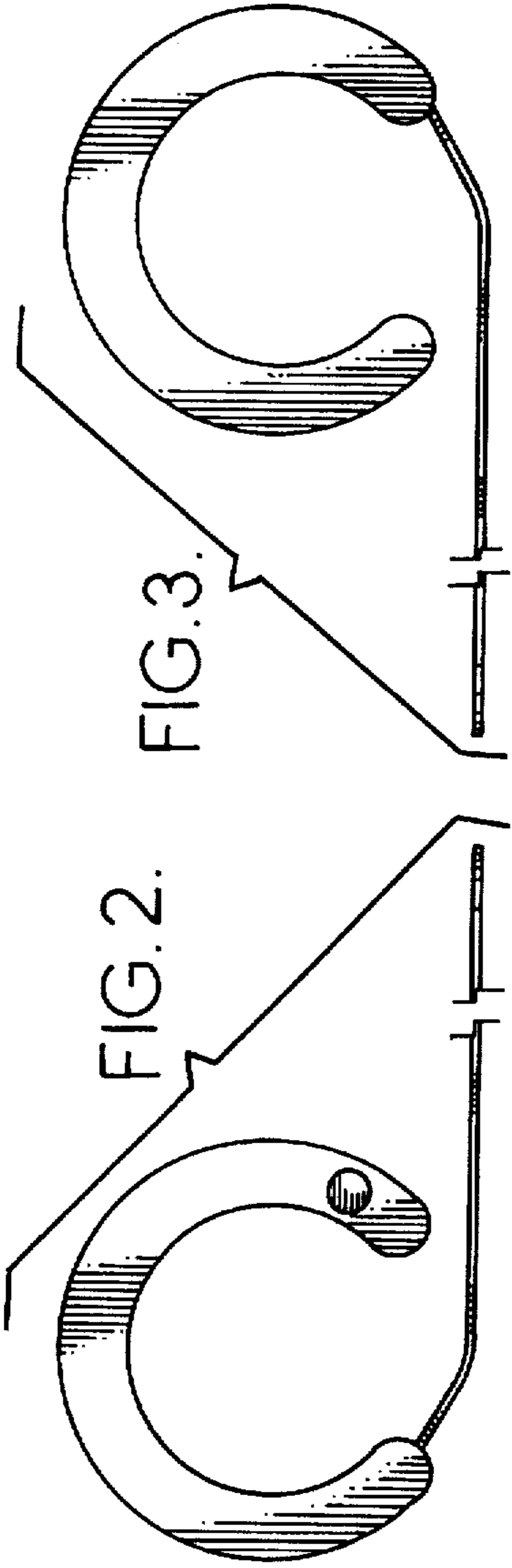


FIG. 4.

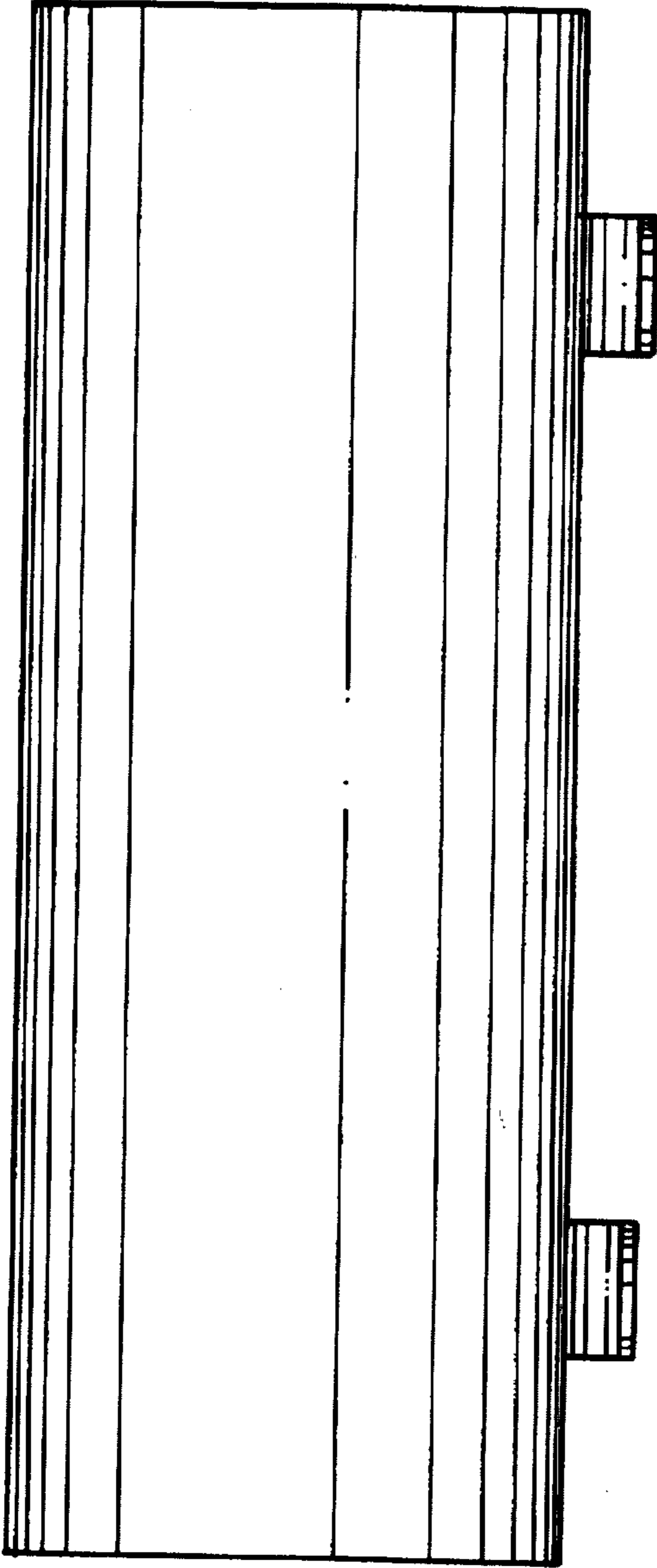


FIG. 5.

