



US00D387721S

United States Patent [19]

Harris et al.

[11] Patent Number: **Des. 387,721**

[45] Date of Patent: ****Dec. 16, 1997**

[54] **TIRE TREAD**

[75] Inventors: **Ronald Thomas Harris**, Greenspring, W. Va.; **Efimia Ellen Rohweder**, Uniontown, Ohio; **Michael Alois Kolowski**, Mogadore, Ohio; **Stephanie Carol Brown**; **Frederick William Miller**, both of Akron, Ohio

[73] Assignee: **The Goodyear Tire & Rubber Company**, Akron, Ohio

[**] Term: **14 Years**

[21] Appl. No.: **64,304**

[22] Filed: **Dec. 27, 1996**

[51] LOC (6) CL **12-15**

[52] U.S. Cl. **D12/147**

[58] Field of Search **D12/136, 138, D12/140-151; 152/209 D, 209 R**

[56] **References Cited**

U.S. PATENT DOCUMENTS

D. 284,363	6/1986	Hinrichsen	D12/146
D. 304,918	12/1989	Hinrichsen	D12/146
D. 336,069	6/1993	White	D12/147
D. 347,413	5/1994	Manestar	D12/147
D. 347,606	6/1994	Mehta	D12/147
D. 350,094	8/1994	Anderson et al.	D12/147
D. 356,059	3/1995	McKisson	D12/146

D. 367,450	2/1996	Kolowski et al.	D12/147
D. 375,064	10/1996	McKisson	D12/146
5,137,068	8/1992	Loidl et al.	152/209 R
5,361,816	11/1994	Hitzky	152/209 R

OTHER PUBLICATIONS

Regul All Season King Tire, 1995 Tread Design Guide, p. 110, Jan. 1995.

Primary Examiner—James Gandy
Assistant Examiner—Robert Spear
Attorney, Agent, or Firm—T. P. Lewandowski

[57] **CLAIM**

The ornamental design for a tire tread, as shown and described.

DESCRIPTION

FIG. 1 is a perspective view of a tire tread, it being understood that the pattern repeats uniformly throughout the circumference of the tread;

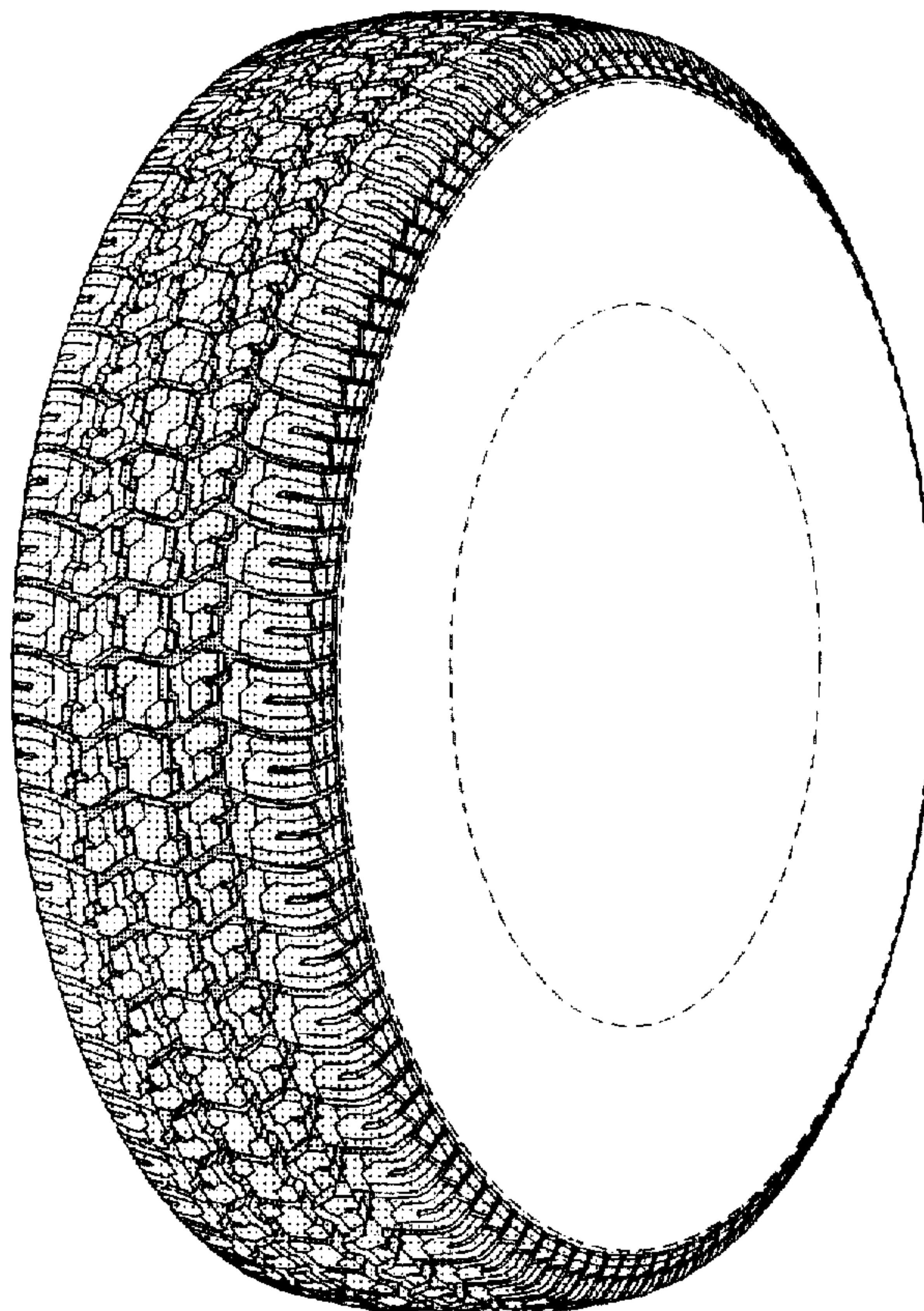
FIG. 2 is a front elevational view thereof;

FIG. 3 is a side elevational view thereof, the opposite side elevational view being identical thereto; and,

FIG. 4 is an enlarged fragmentary front perspective view thereof.

In the drawings, the broken lines defining the inner bead of the sidewall and the peripheral boundary between the tire tread and the sidewall are for illustrative purposes only and form no part of the claimed design.

1 Claim, 4 Drawing Sheets



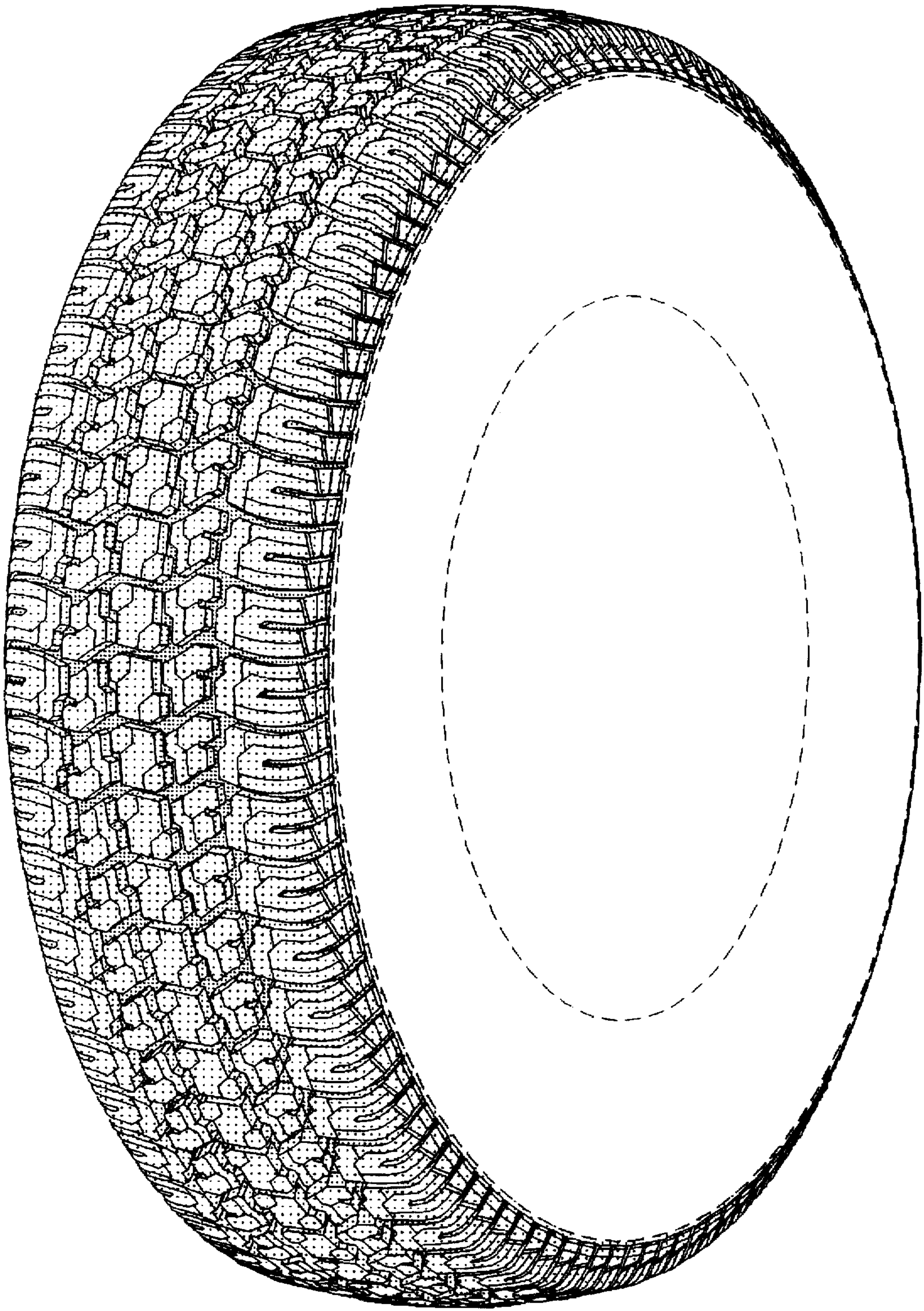


FIG. 1

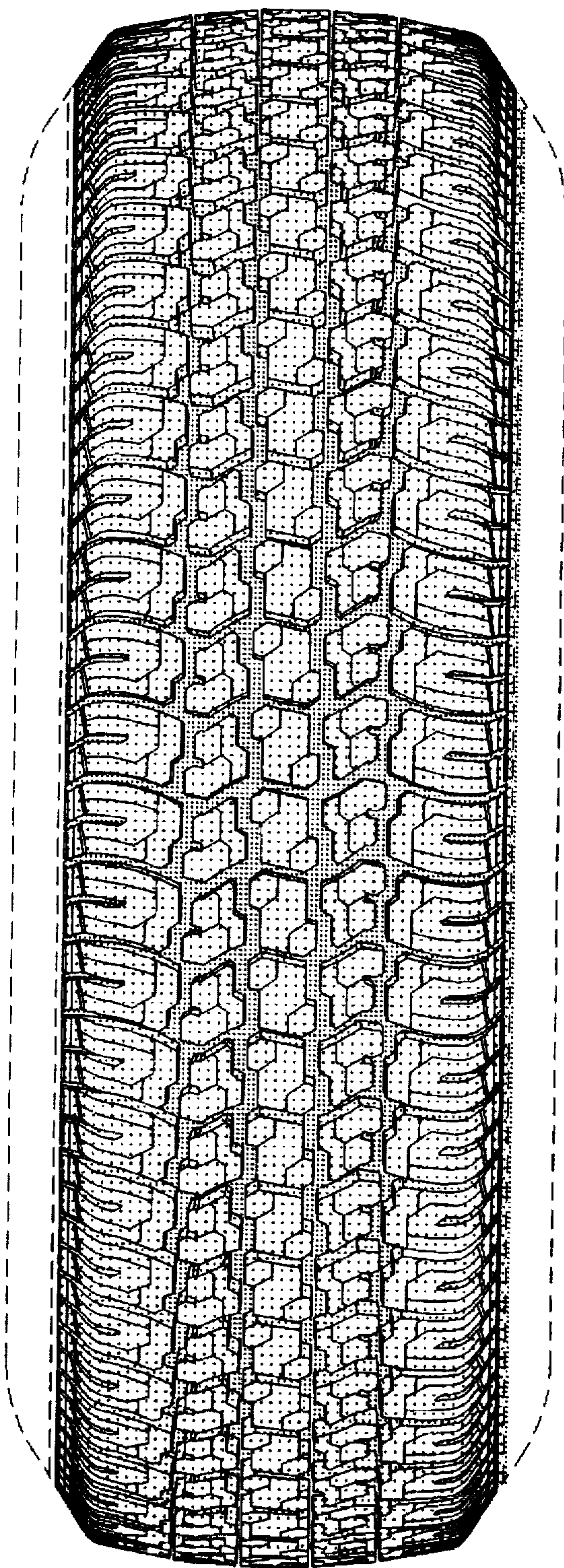


FIG. 2

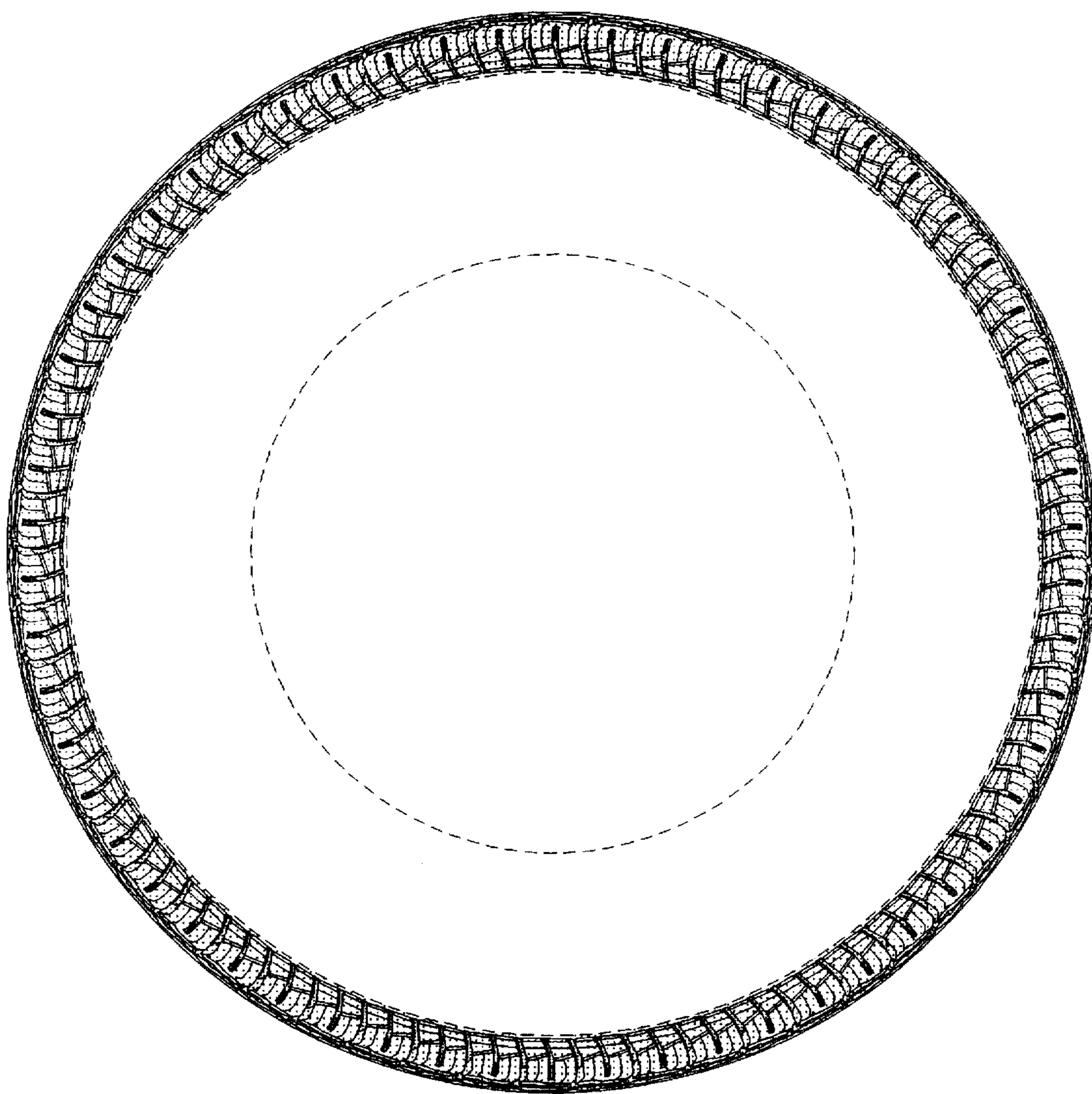


FIG. 3

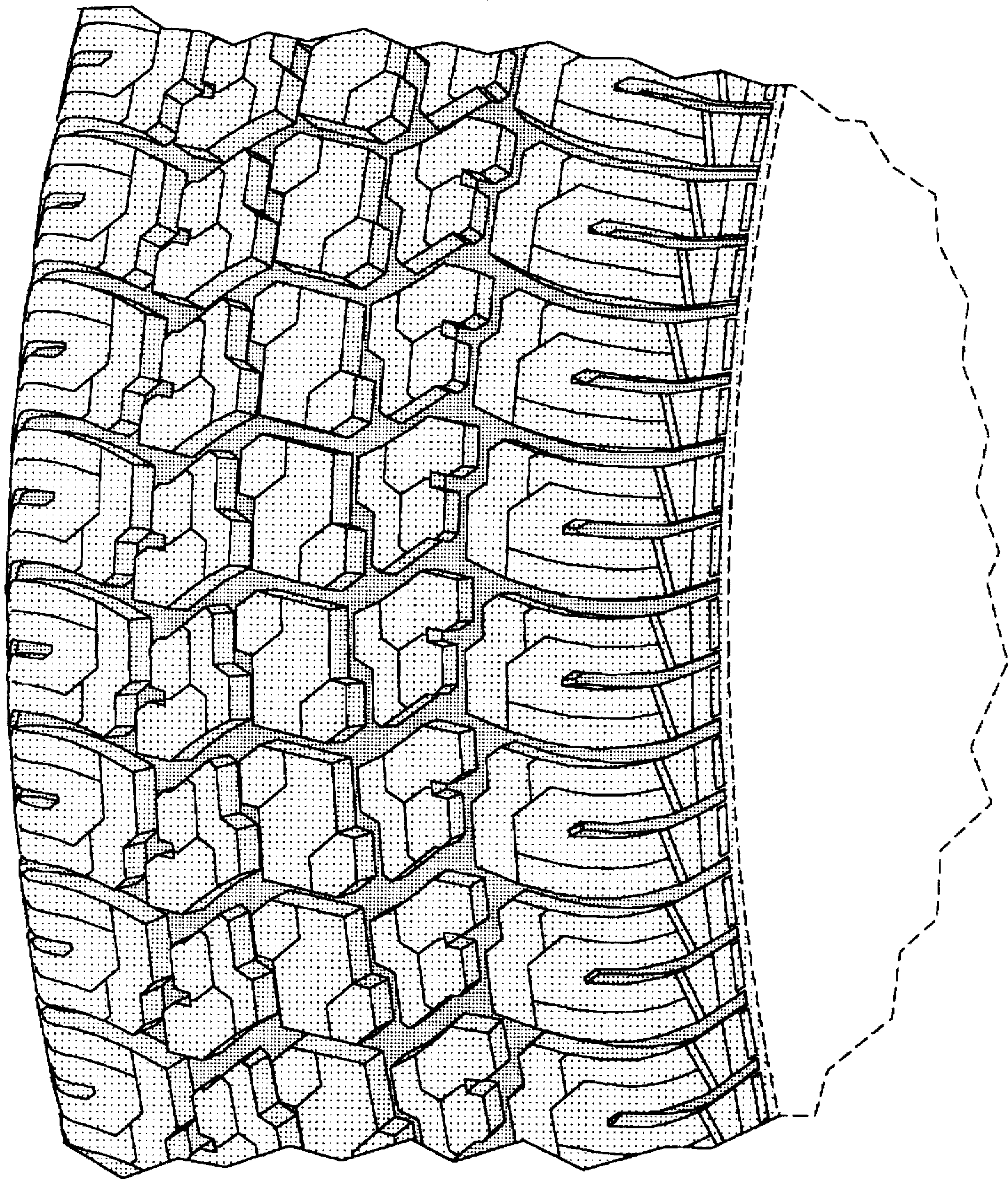


FIG. 4