



US00D387706S

United States Patent [19]
Hanamura

[11] **Patent Number: Des. 387,706**

[45] **Date of Patent: **Dec. 16, 1997**

[54] **CLIPLESS BICYCLE PEDAL WITH LARGE SHOE-CONTACTING AREA**

5,381,708 1/1995 Liao 74/594.6
5,423,233 6/1995 Peyre et al. 74/594.6

[75] **Inventor: Junichi Hanamura, Sakai, Japan**

FOREIGN PATENT DOCUMENTS

[73] **Assignee: Shimano, Inc., Osaka, Japan**

60-13883 1/1985 Japan B62M 3/08
60-22488 2/1985 Japan B62M 3/08
60-51198 4/1985 Japan B62M 3/08
60-99188 7/1985 Japan B62M 3/08
3-28992 3/1991 Japan B62M 3/12
3-75091 7/1991 Japan B62M 3/08
4-128996 11/1992 Japan B62M 3/08
4-137993 12/1992 Japan B62M 3/08

[**] **Term: 14 Years**

[21] **Appl. No.: 56,927**

[22] **Filed: Jul. 11, 1996**

Related U.S. Application Data

Primary Examiner—Melody N. Brown
Attorney, Agent, or Firm—James A. Deland

[63] **Continuation of Ser. No. 49,338, Jan. 23, 1996, abandoned.**

[51] **LOC (6) Cl. 12-11**

[52] **U.S. Cl. D12/125**

[58] **Field of Search D12/125; 74/594.4,
74/594.6; 36/131, 132**

[57] **CLAIM**

The ornamental design for a clipless bicycle pedal with large shoe-contacting area, as shown and described.

DESCRIPTION

FIG. 1 is a top plan view of a clipless bicycle pedal with large shoe contacting area showing my new design;
FIG. 2 is a rear elevational view thereof;
FIG. 3 is a front elevational view thereof;
FIG. 4 is a right side view thereof;
FIG. 5 is a left side elevational view thereof; and,
FIG. 6 is a bottom view thereof.

[56] **References Cited**

U.S. PATENT DOCUMENTS

D. 277,838 3/1985 Martin et al. D12/125
D. 299,222 1/1989 Feamster, III et al. D12/125
D. 299,449 1/1989 Chouman D12/125
D. 301,705 6/1989 Ropp D12/125
5,048,369 9/1991 Chen 74/594.6
5,203,229 4/1993 Chen 74/594.4
5,259,270 11/1993 Lin 74/594.6

1 Claim, 3 Drawing Sheets

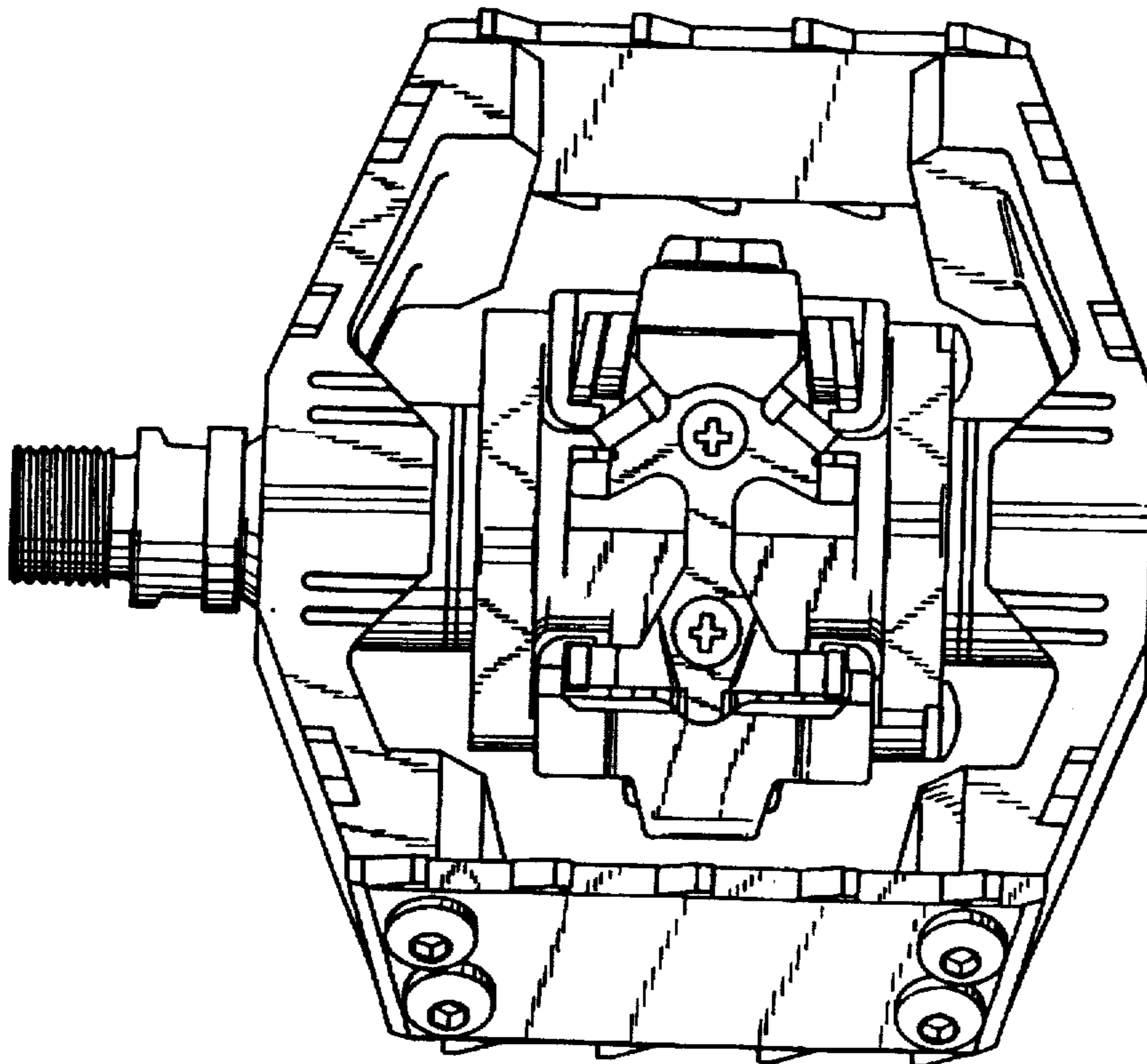


FIG. 1

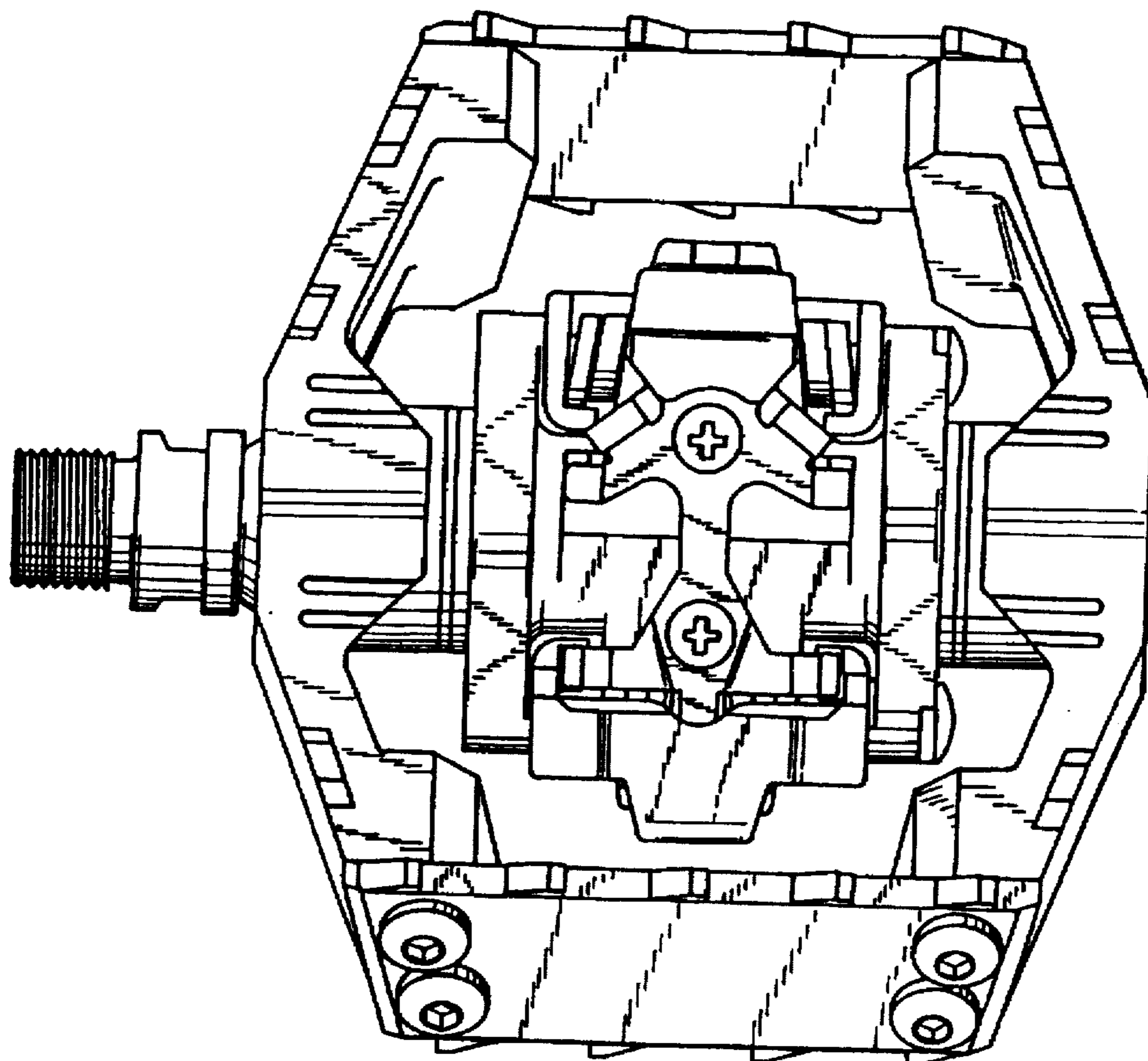


FIG. 2

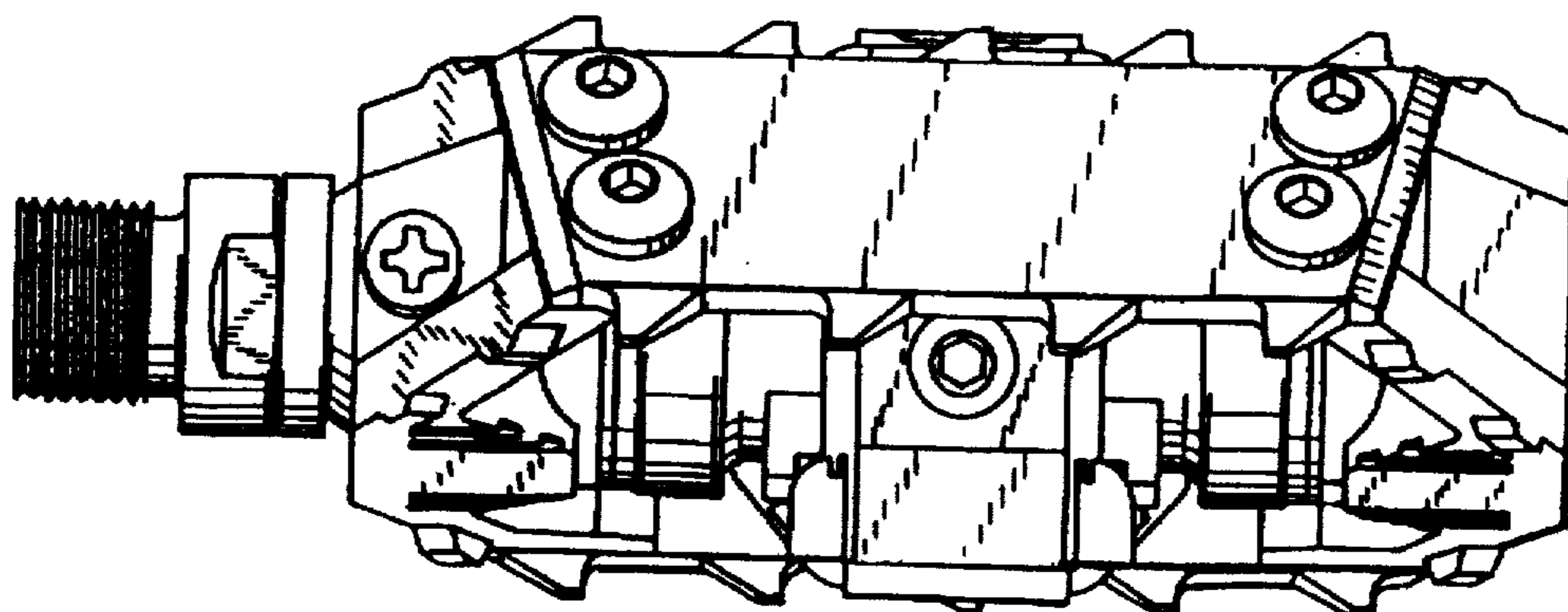


FIG.3

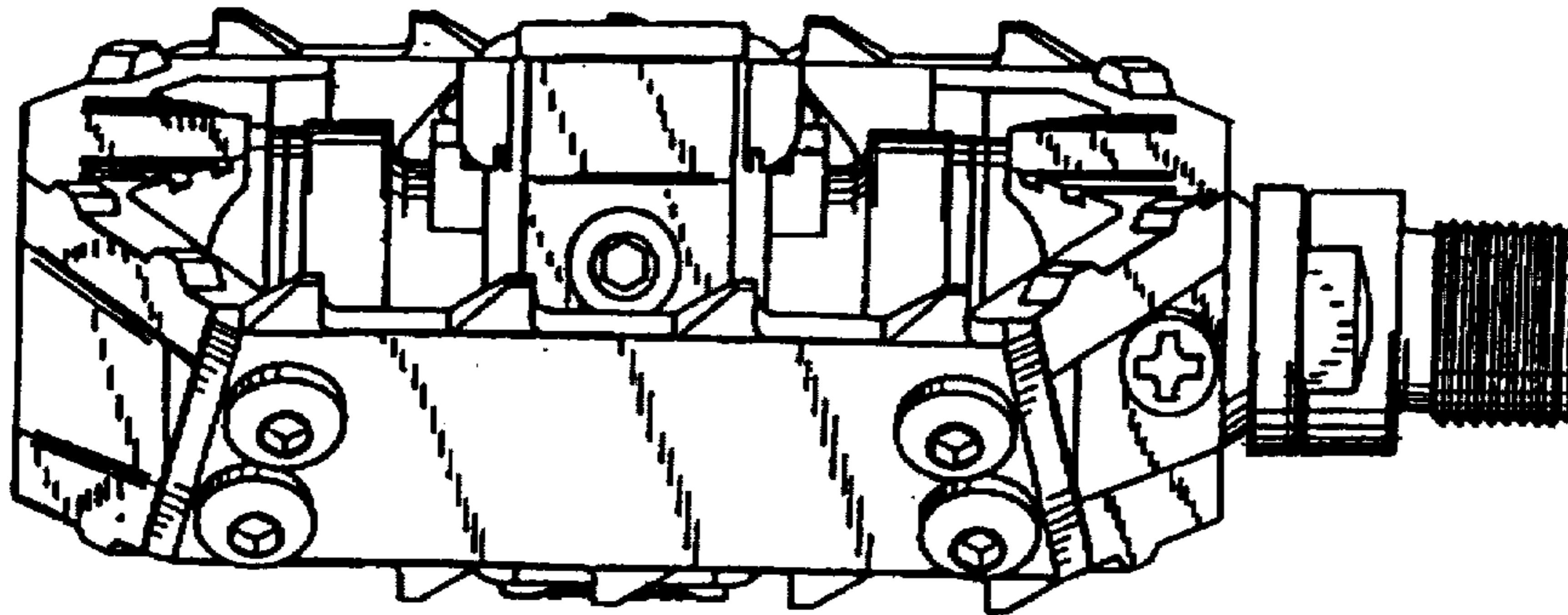


FIG.5

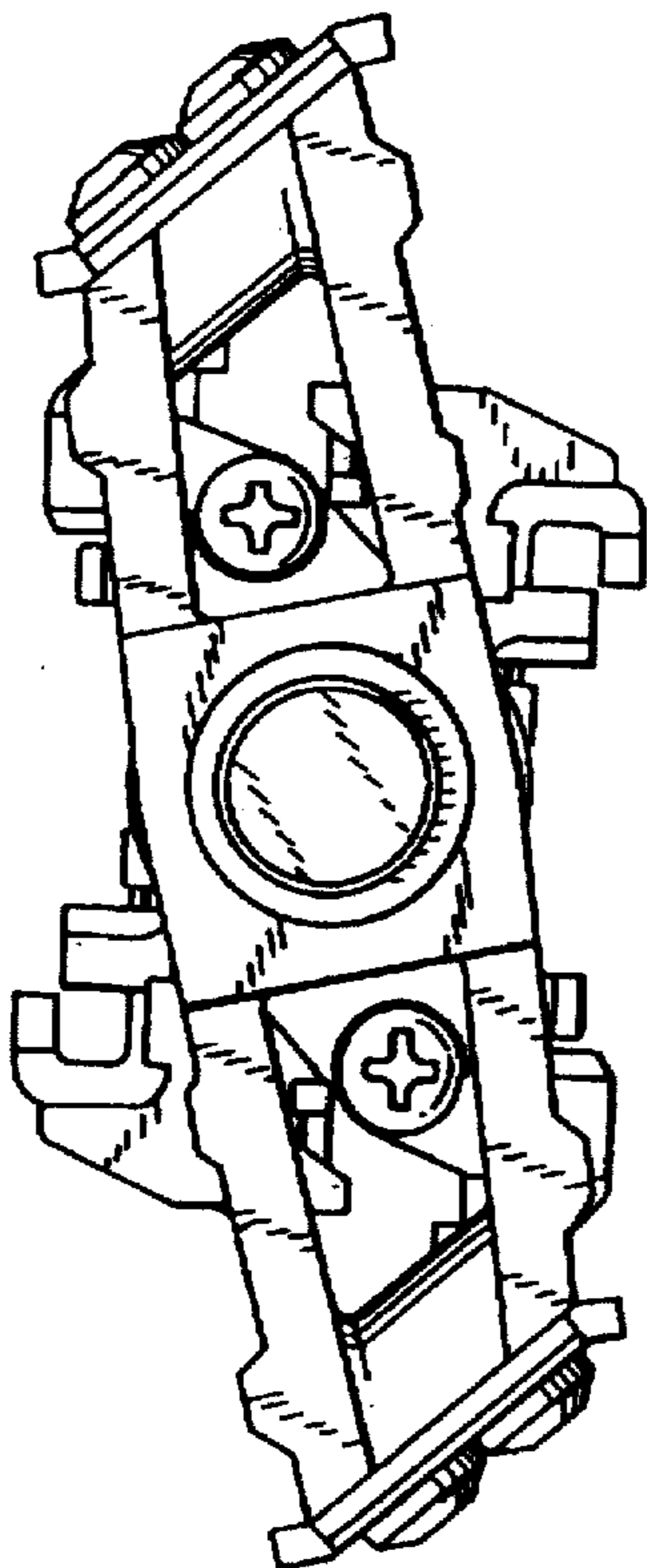


FIG.4

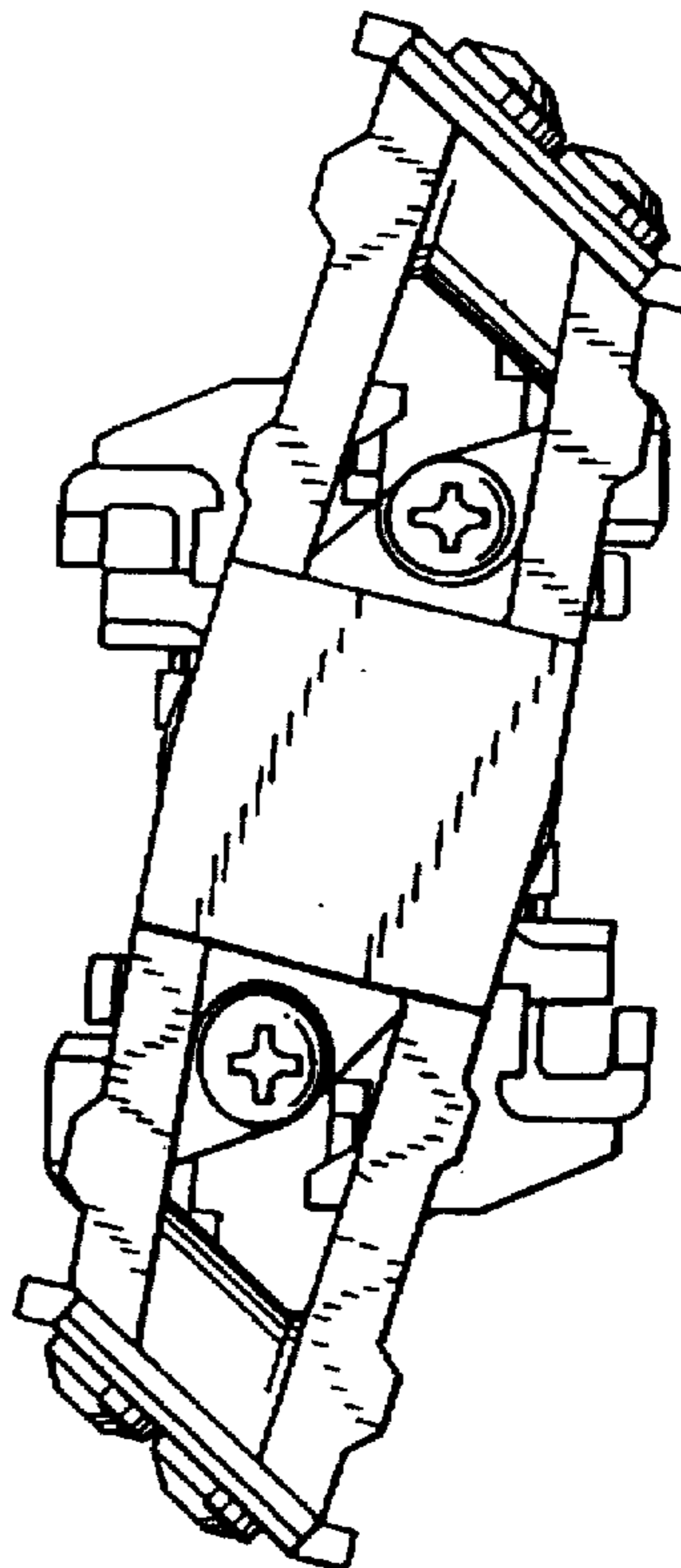


FIG. 6

