



US00D387705S

United States Patent [19]
Cook

[11] **Patent Number: Des. 387,705**

[45] **Date of Patent: **Dec. 16, 1997**

[54] **CYCLE FORK**

[76] **Inventor: Benjamin T. Cook, 183 High St.,
South Paris, Me. 04281**

[**] **Term: 14 Years**

[21] **Appl. No.: 51,402**

[22] **Filed: Mar. 8, 1996**

[51] **LOC (6) Cl. 12-11**

[52] **U.S. Cl. D12/118**

[58] **Field of Search D12/118, 111,
D12/117; 280/281.1, 288.1-288.3, 276,
275, 283, 284**

[56] **References Cited**

U.S. PATENT DOCUMENTS

- D. 321,155 10/1991 Tan D12/111
- D. 368,678 4/1996 Wilcox et al. D12/111

- D. 368,880 4/1996 Harrington D12/117
- 5,354,085 10/1994 Gally 280/284
- 5,456,482 10/1995 Rau 280/304.4

Primary Examiner—Melody N. Brown
Attorney, Agent, or Firm—Harold H. Dutton, Jr.

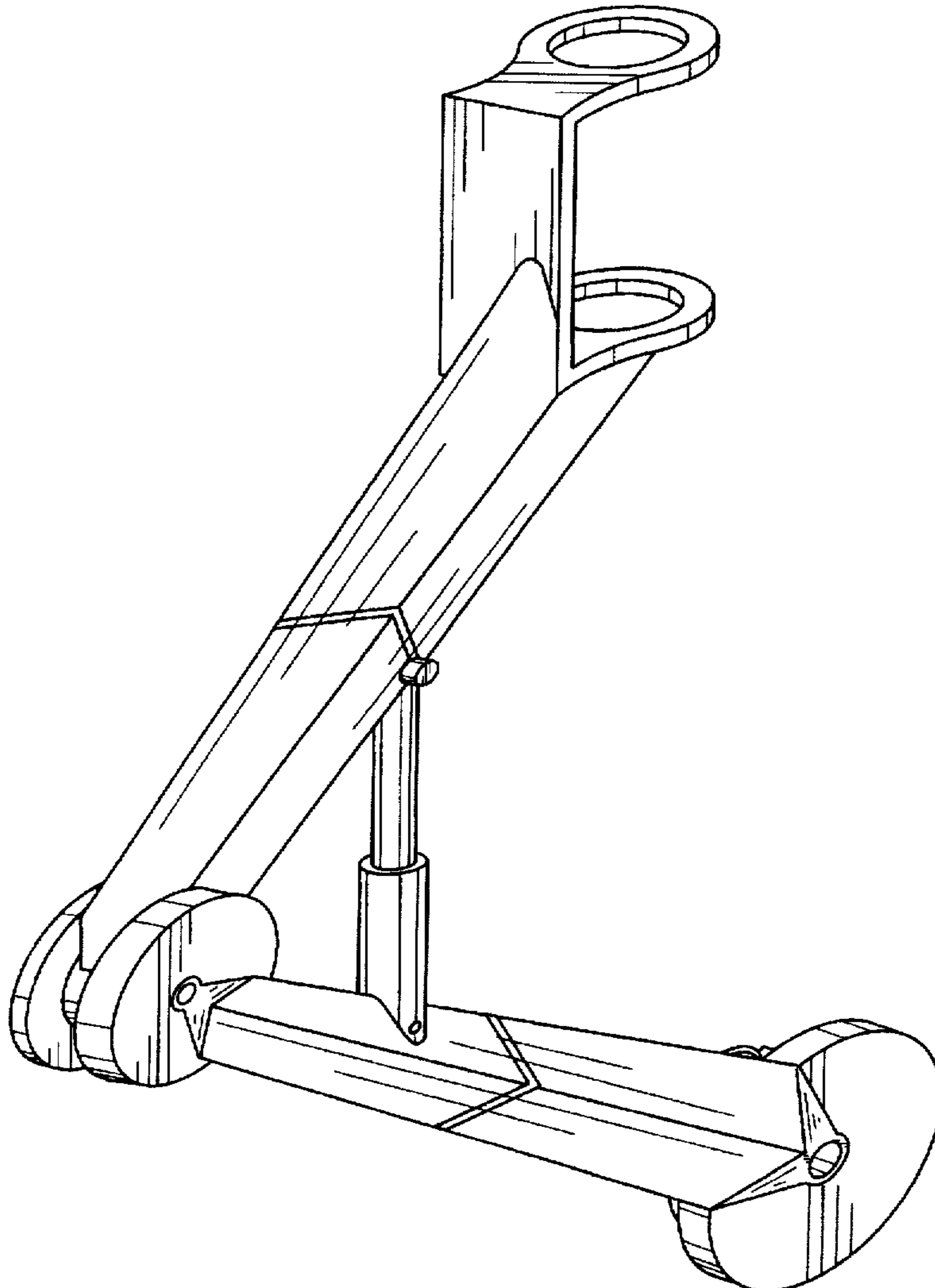
[57] **CLAIM**

The ornamental design for a cycle fork, as shown.

DESCRIPTION

FIG. 1 is a perspective view of a cycle fork showing my new design;
FIG. 2 is a right side view thereof;
FIG. 3 is a left side view thereof;
FIG. 4 is a front side view thereof;
FIG. 5 is a rear side view thereof;
FIG. 6 is a top view thereof; and,
FIG. 7 is a bottom view thereof.

1 Claim, 4 Drawing Sheets



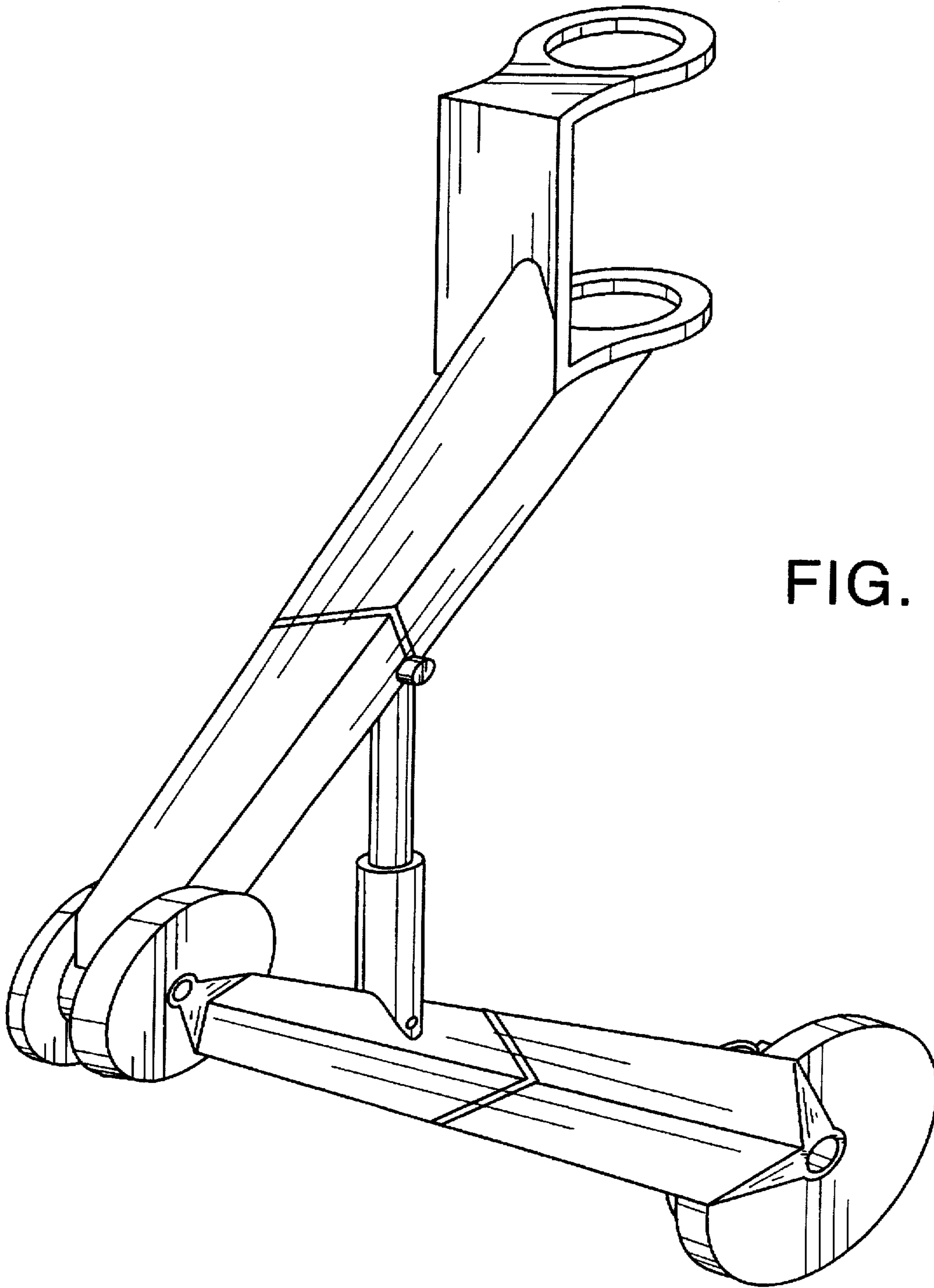


FIG. 1

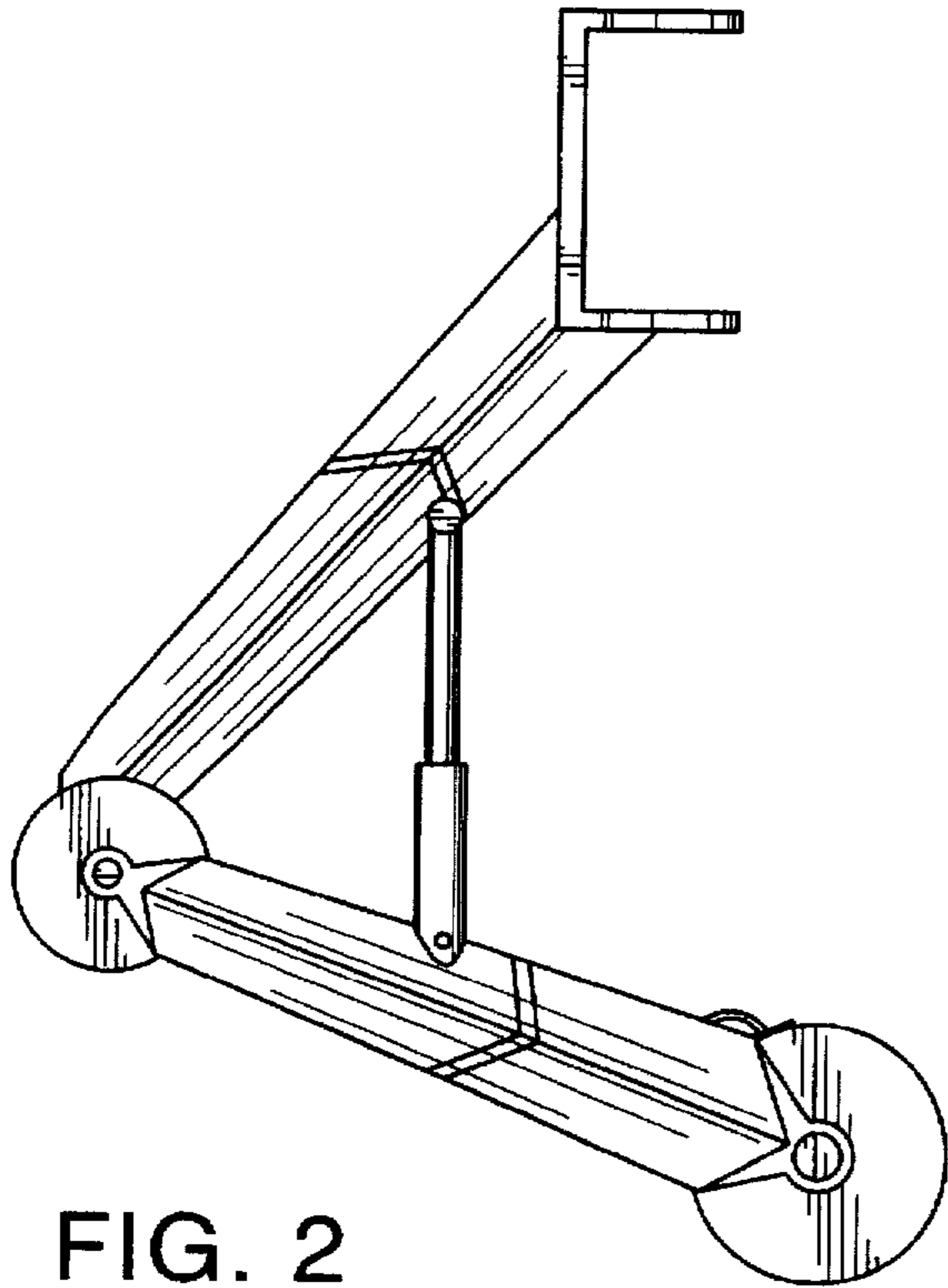


FIG. 2

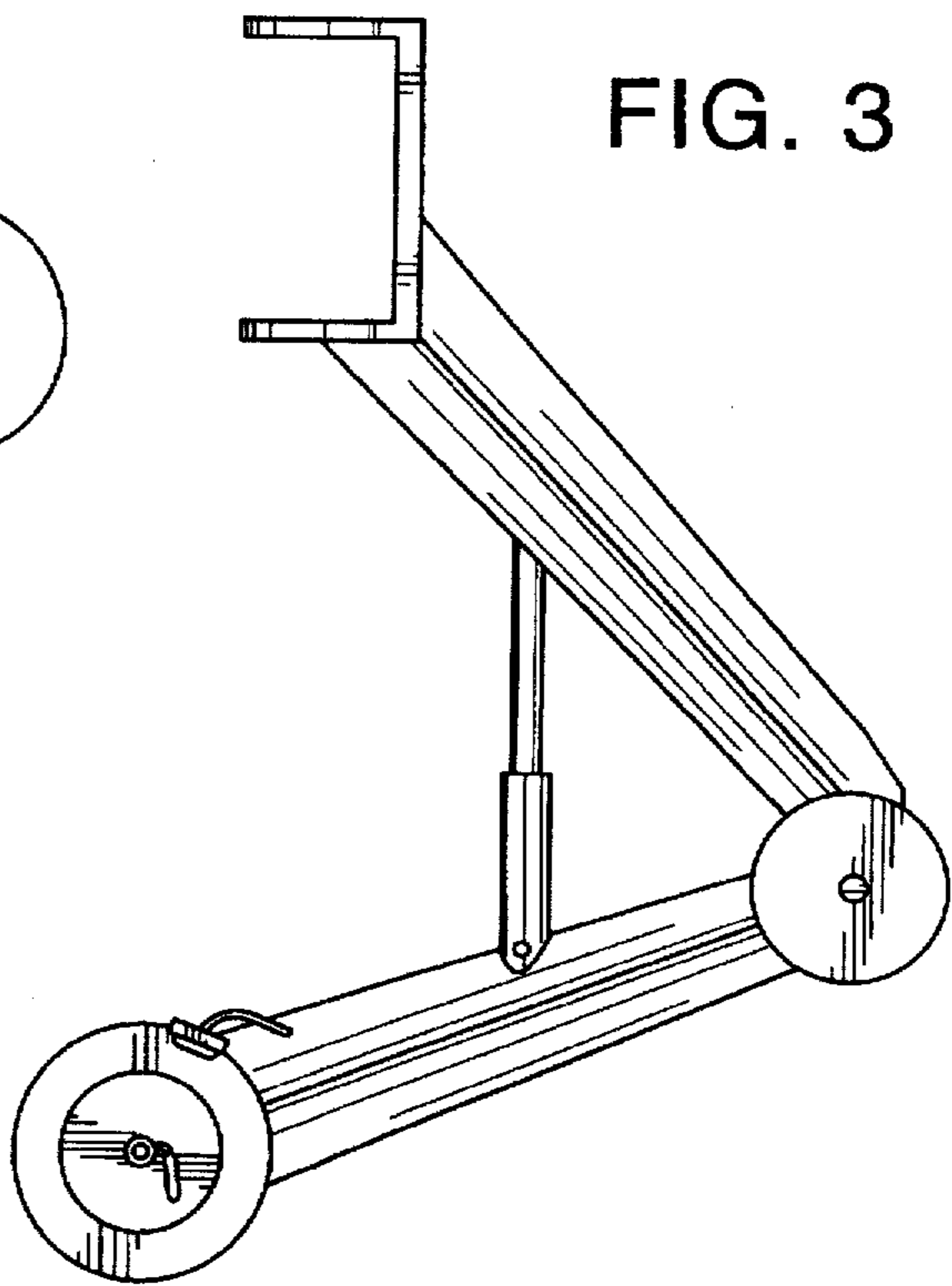


FIG. 3

FIG. 4

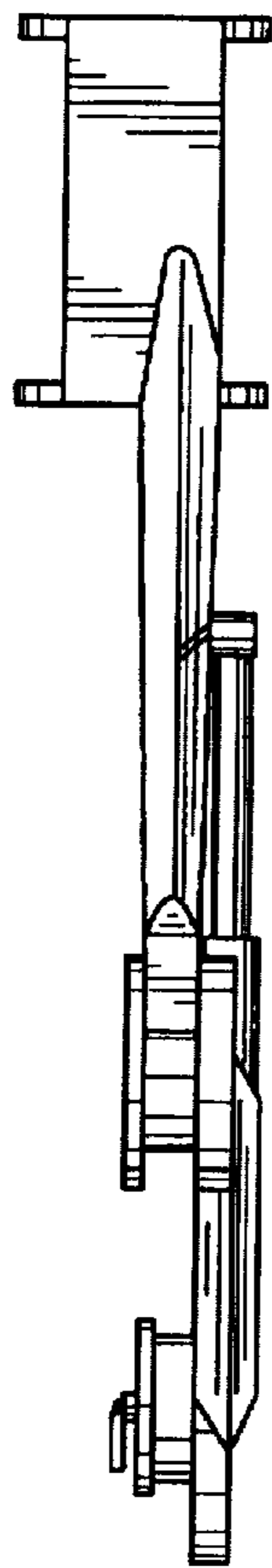
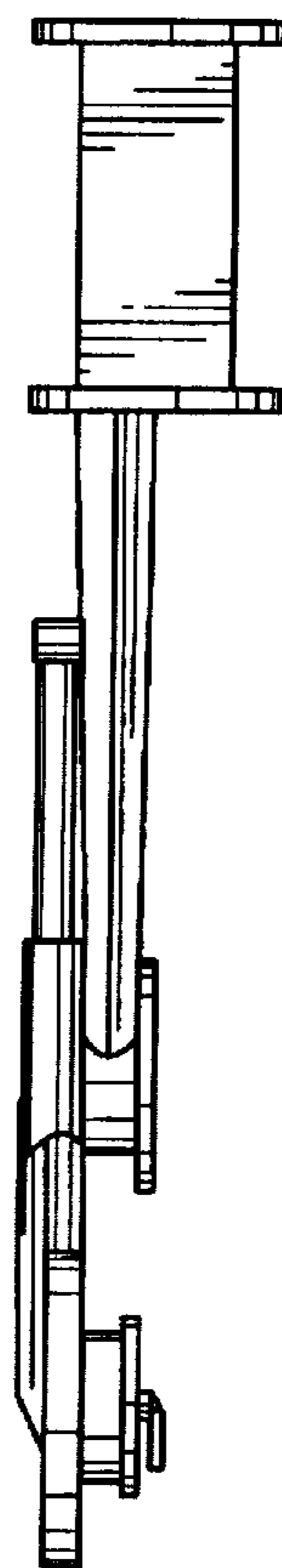


FIG. 5



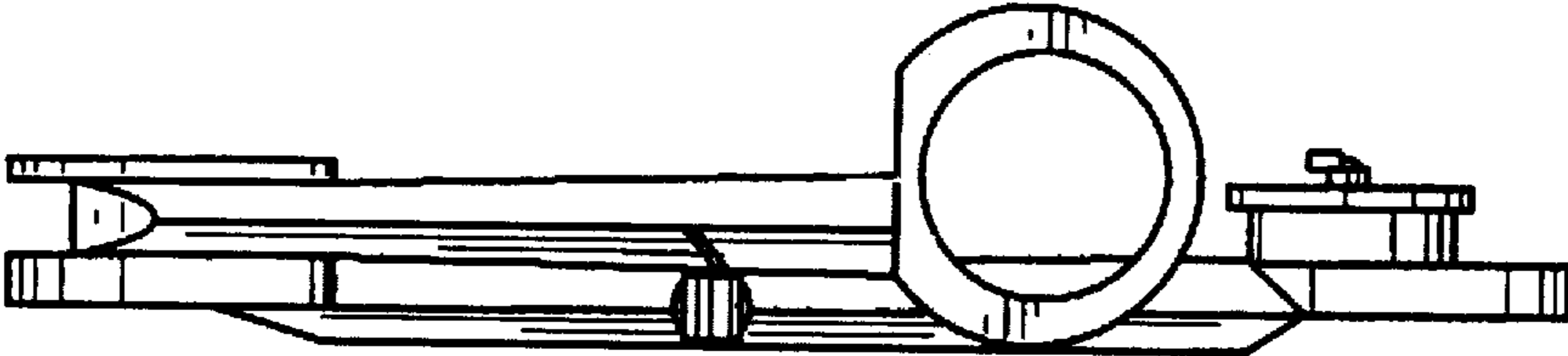


FIG. 6

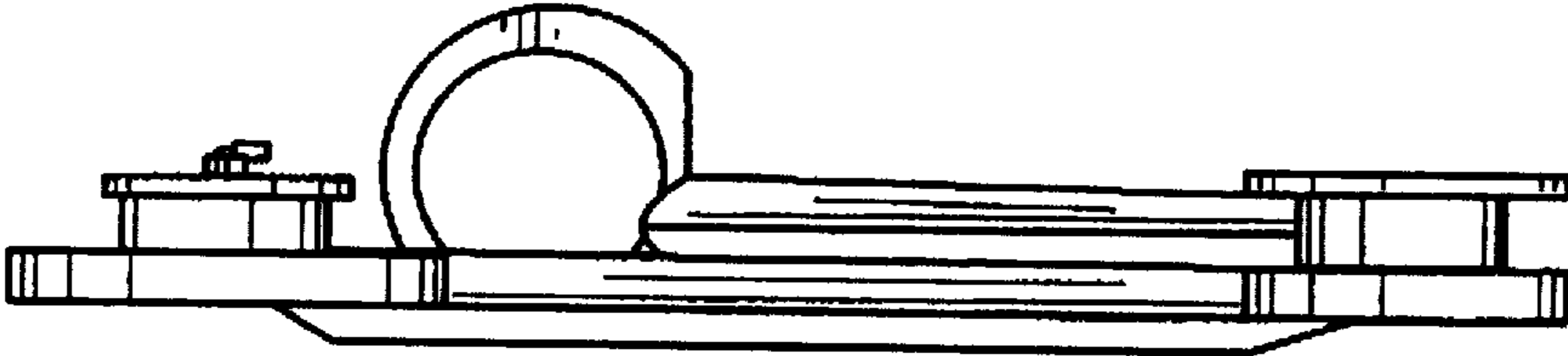


FIG. 7