



US00D387703S

United States Patent [19] Thuma

[11] Patent Number: **Des. 387,703**

[45] Date of Patent: ****Dec. 16, 1997**

[54] **CHILDREN'S WHEELED VEHICLE**

[75] Inventor: **Mike Thuma, Des Plaines, Ill.**

[73] Assignee: **Radio Flyer, Inc., Chicago, Ill.**

[**] Term: **14 Years**

[21] Appl. No.: **61,276**

[22] Filed: **Oct. 18, 1996**

[51] LOC (6) Cl. **12-11**

[52] U.S. Cl. **D12/107**

[58] Field of Search **D12/107, 112,
D12/113; D21/81; 280/221, 269, 282**

[56] **References Cited**

U.S. PATENT DOCUMENTS

D. 230,619 3/1974 Campbell et al. **D12/107**

D. 328,881 8/1992 Herman et al. **D12/107**
D. 377,553 1/1997 Valentine et al. **D12/107**
D. 377,773 2/1997 Floss **D12/111**

Primary Examiner—Melody N. Brown
Attorney, Agent, or Firm—Rudnick & Wolfe

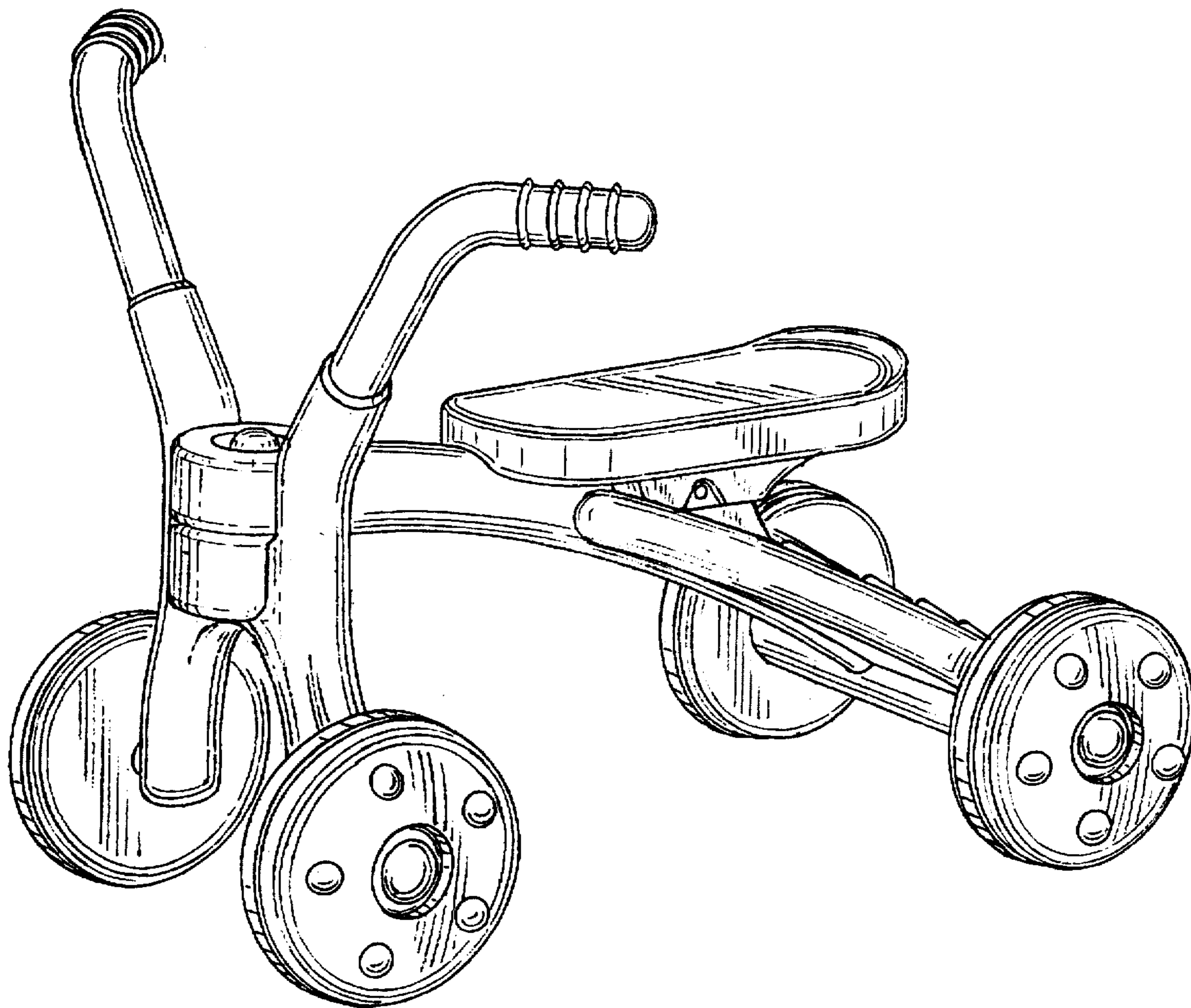
[57] CLAIM

The ornamental design for a children's wheeled vehicle.

DESCRIPTION

FIG. 1 is a front perspective view of a children's wheeled vehicle showing my new design;
FIG. 2 is a side elevational view thereof;
FIG. 3 is a front elevational view thereof;
FIG. 4 is a top plan view thereof;
FIG. 5 is a rear elevational view thereof; and,
FIG. 6 is a bottom plan view thereof.

1 Claim, 4 Drawing Sheets



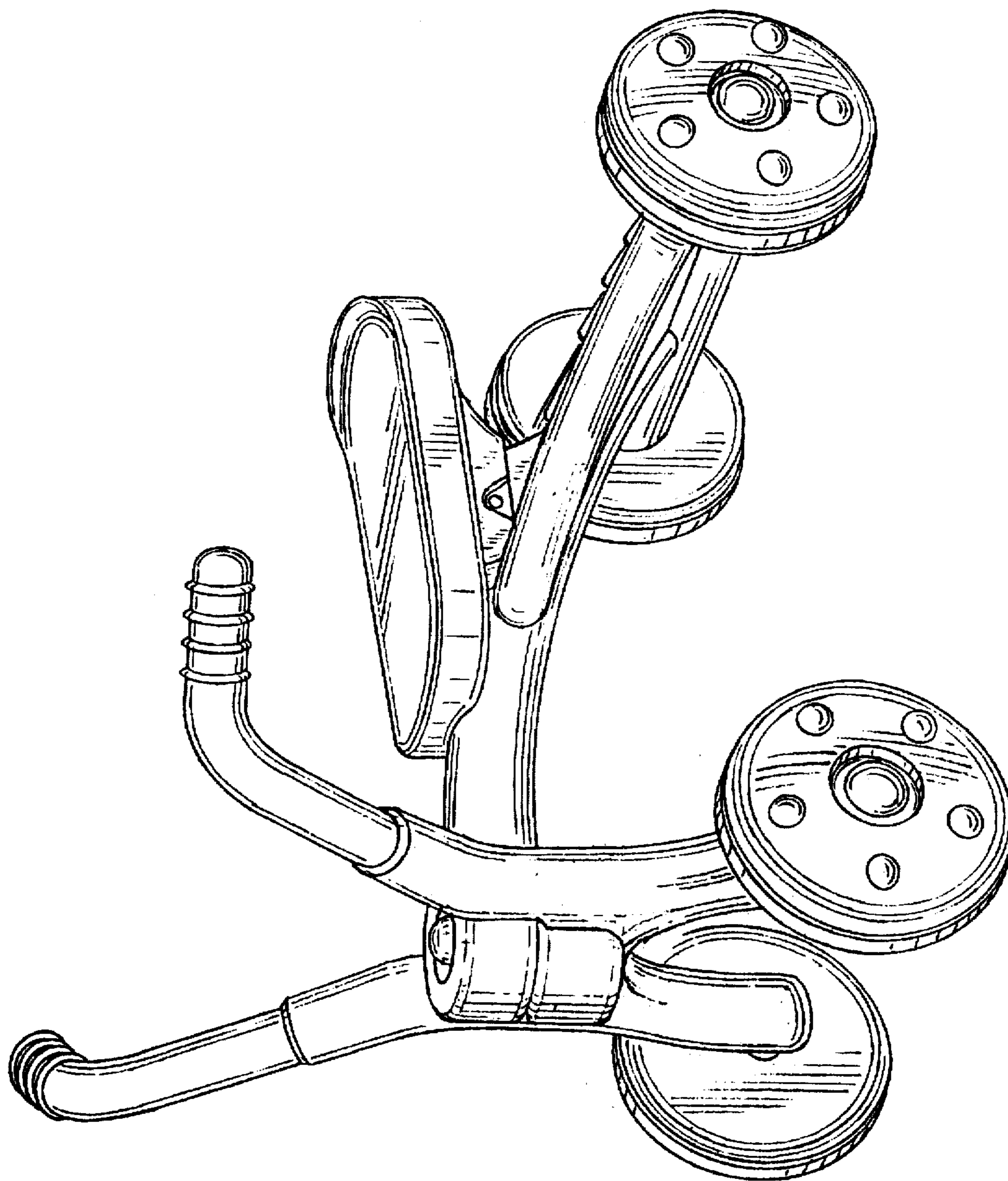


FIG. 1

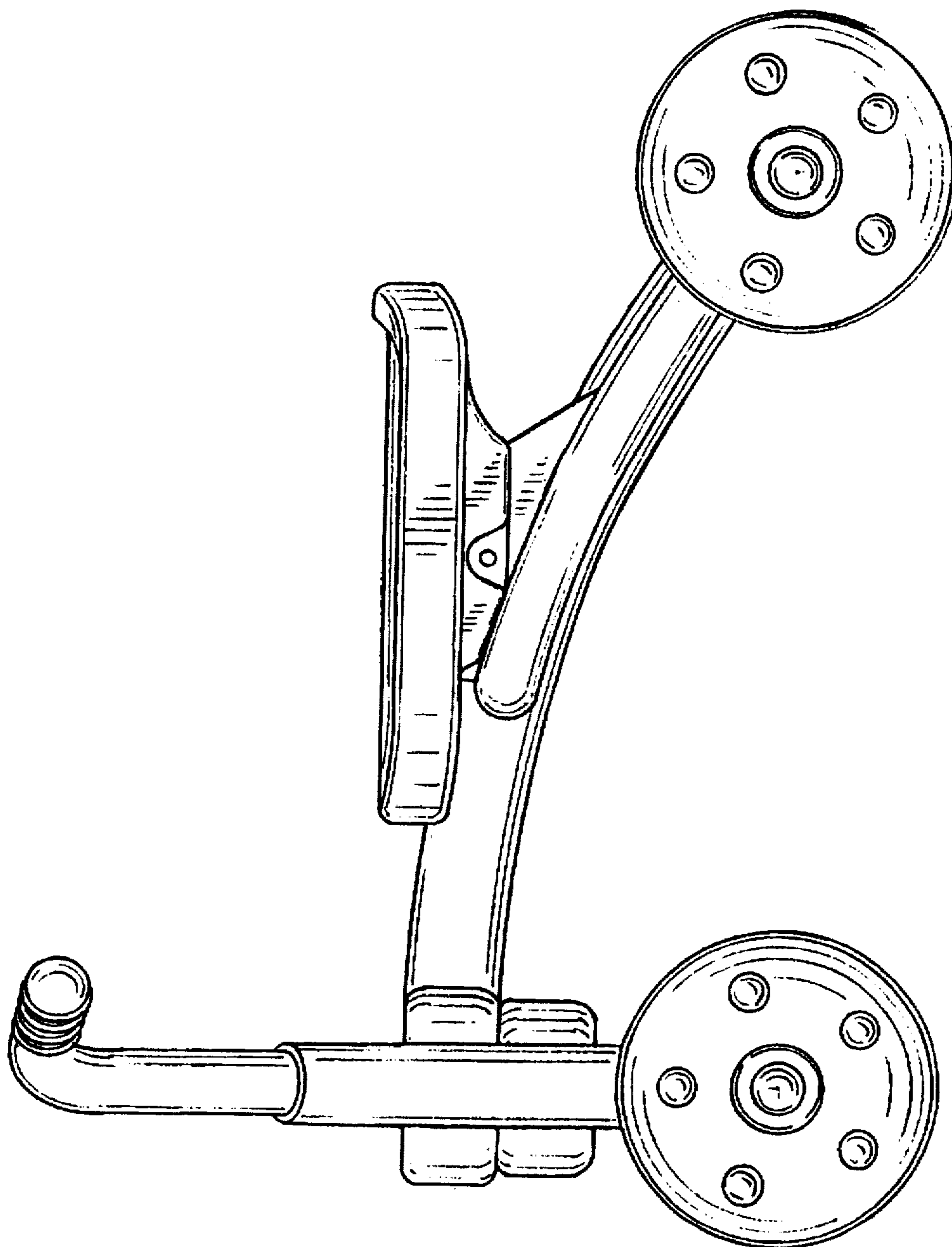


FIG. 2

FIG. 3

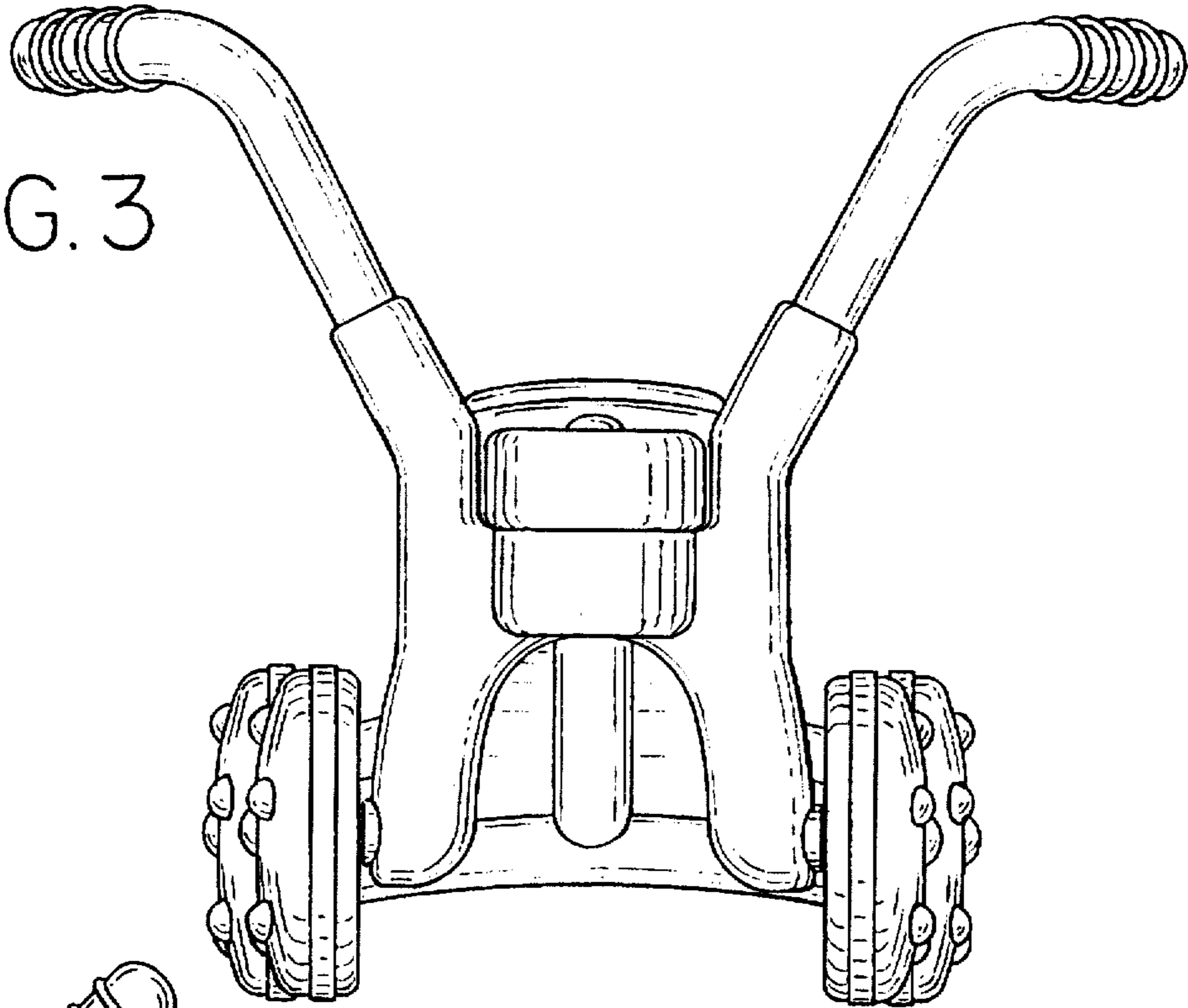


FIG. 4

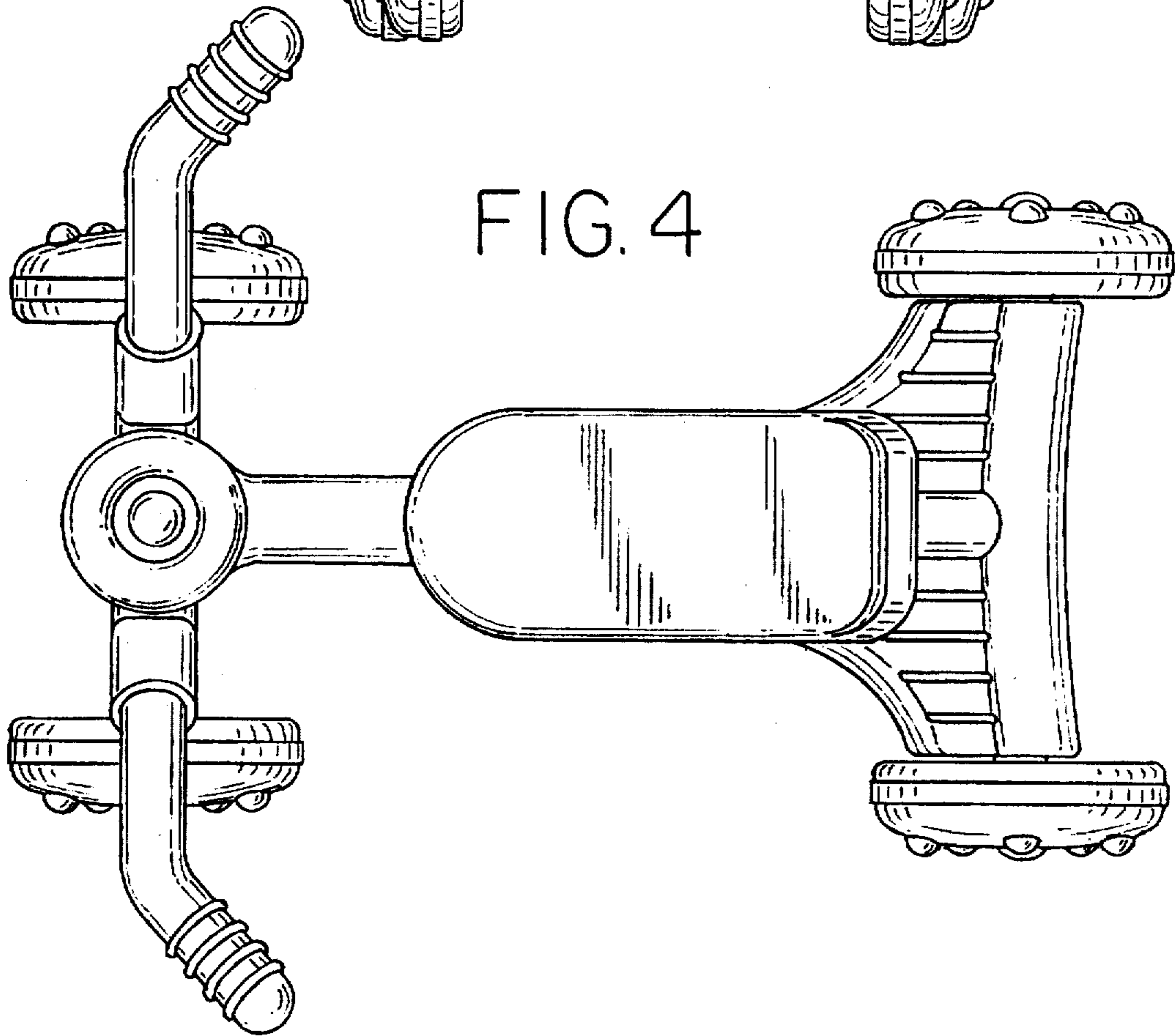


FIG. 5

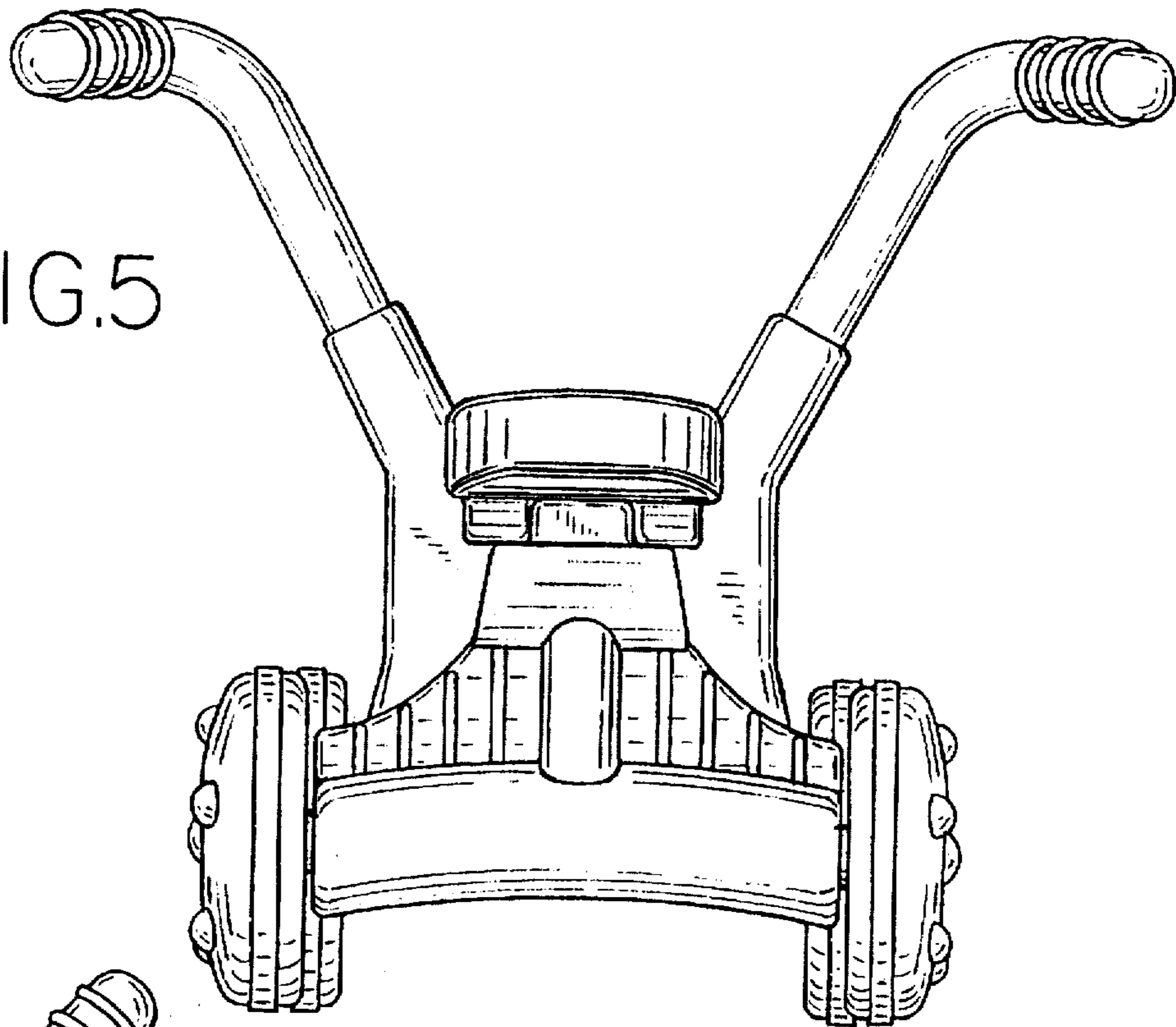


FIG. 6

