



US00D387689S

# United States Patent [19]

Sharon et al.

[11] Patent Number: Des. 387,689

[45] Date of Patent: \*\*Dec. 16, 1997

## [54] FOLDING RULER MEASURING DEVICE

[76] Inventors: **Arie Nissan Sharon**, 7302 Shawn Dr., Rowlett, Tex. 75088; **Glenn Matthew Clegg**, 302 Jessica Dr., Garland, Tex. 75040

[\*\*] Term: **14 Years**

[21] Appl. No.: **66,460**

[22] Filed: **Feb. 12, 1997**

[51] LOC (6) CL ..... **10-04**

[52] U.S. Cl. .... **D10/71**

[58] Field of Search ..... D10/71; 33/452, 33/458, 483-494, 648, 354

### [56] References Cited

#### U.S. PATENT DOCUMENTS

D. 166,938	8/1952	Richardson	.....	D10/71	X
496,123	4/1893	Keuffel	.....	33/456	X
580,918	4/1897	Willcox	.....	33/458	
1,969,988	8/1934	Neuberg	.....	33/458	
2,555,741	6/1951	Greene	.....	33/458	X
4,268,967	5/1981	Brana et al.	.....	33/458	X

*Primary Examiner*—Antoine Duval Davis  
*Attorney, Agent, or Firm*—Arie N. Sharon; Glenn M. Clegg

### [57] CLAIM

The ornamental design for a folding ruler measuring device, as shown and described.

### DESCRIPTION

FIG. 1 is a top plan view of our new folding ruler measuring device;

FIG. 2 is a bottom view of the folding ruler;

FIG. 3 is a side elevation view of the folding ruler;

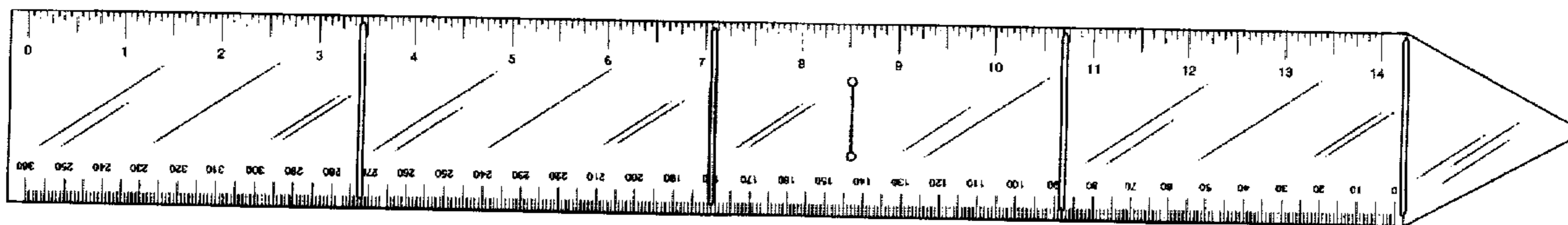
FIG. 4 is a side elevation view of the folding ruler for reference purposes to show enlarged views of FIG. 5 and FIG. 6;

FIG. 5 is an enlarged detailed view of the scored substrate material to allow for bending and folding;

FIG. 6 is an enlarged detailed view of the die-cut closure slot in the substrate material to allow for insertion of the closure tab; and,

FIG. 7 is a top elevation view of the folding ruler in the fully retracted and closed position with the closure tab inserted inside the die-cut closure slot.

**1 Claim, 2 Drawing Sheets**



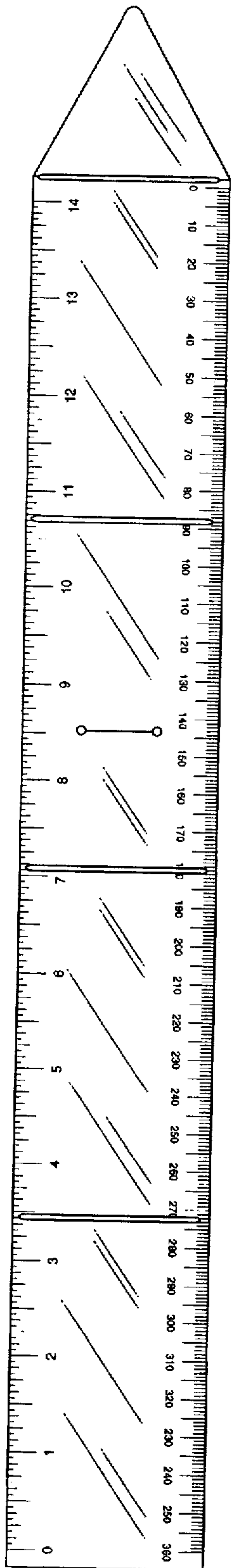


FIG. 1

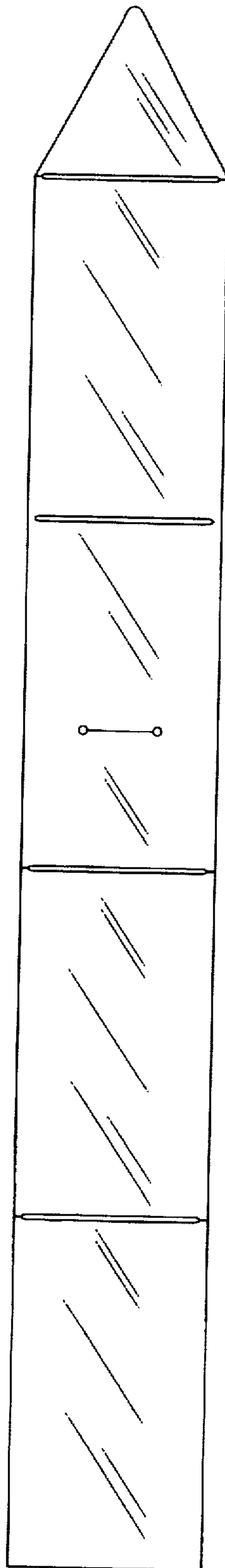


FIG. 2

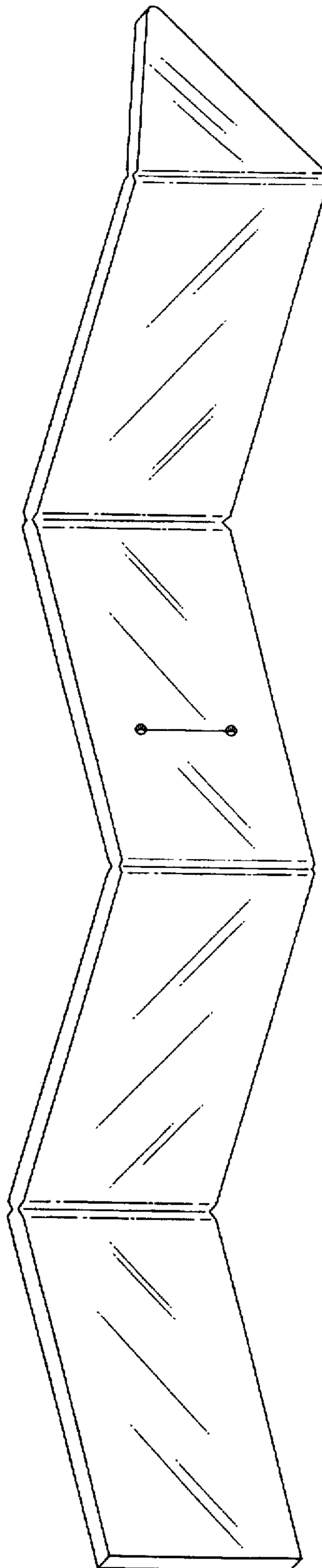


FIG. 3

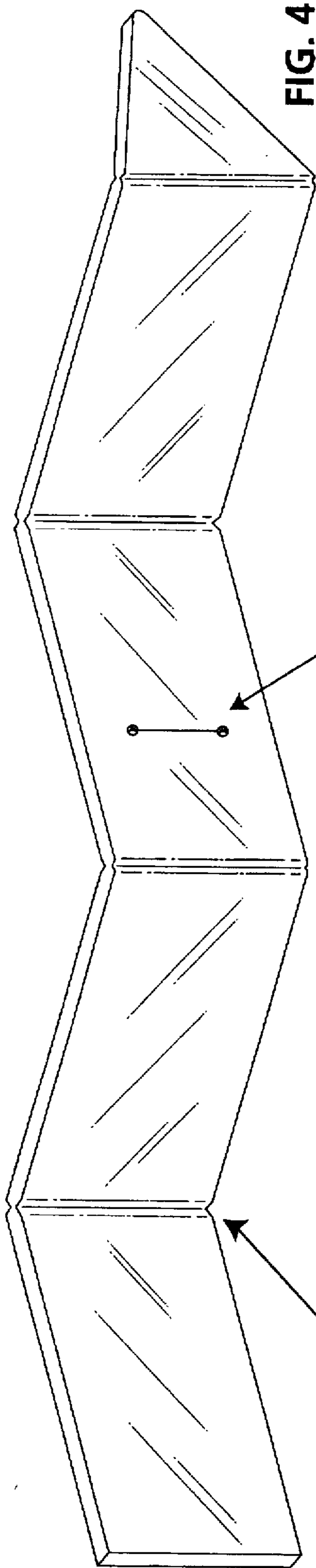


FIG. 4



FIG. 5

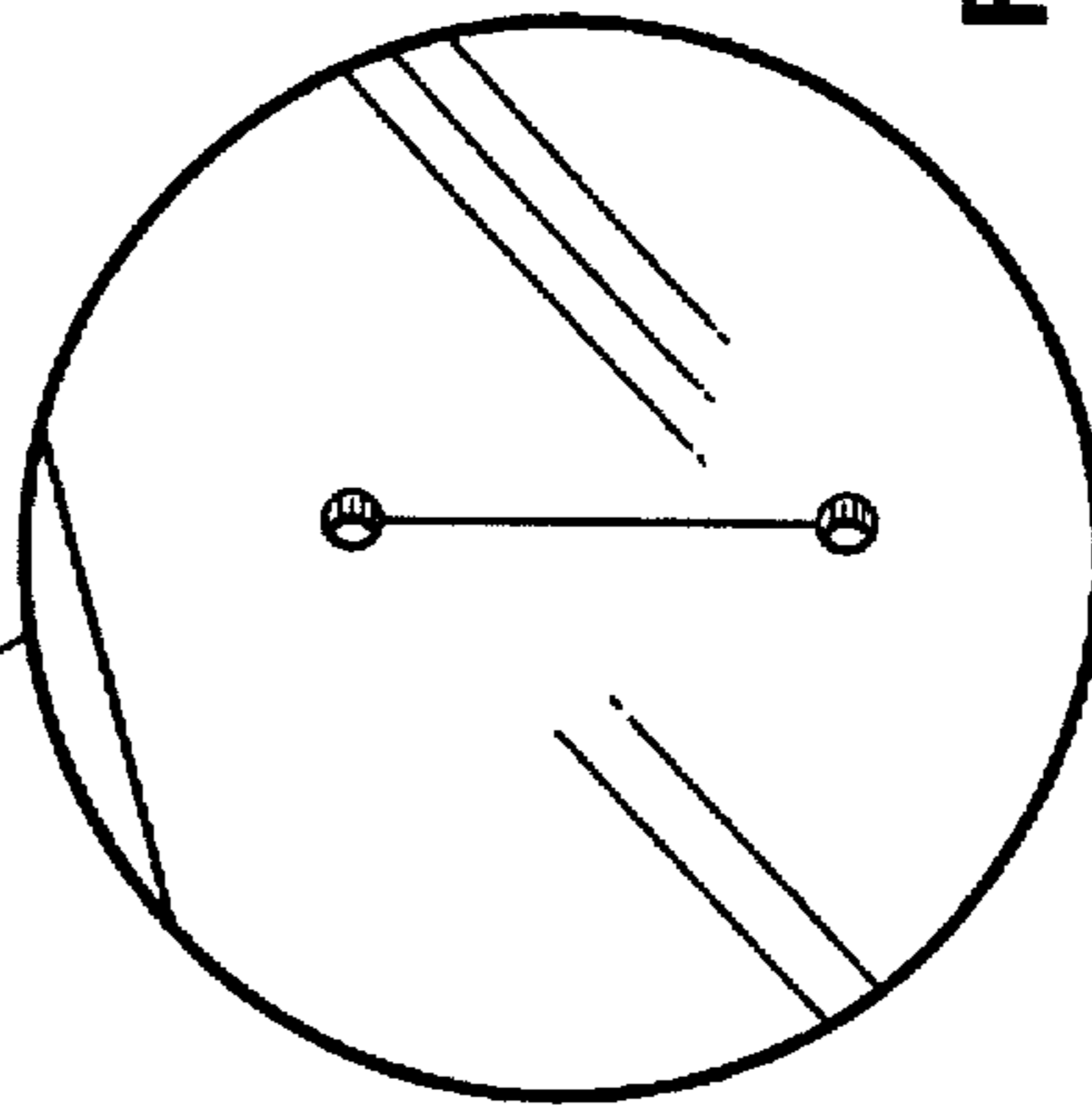


FIG. 6

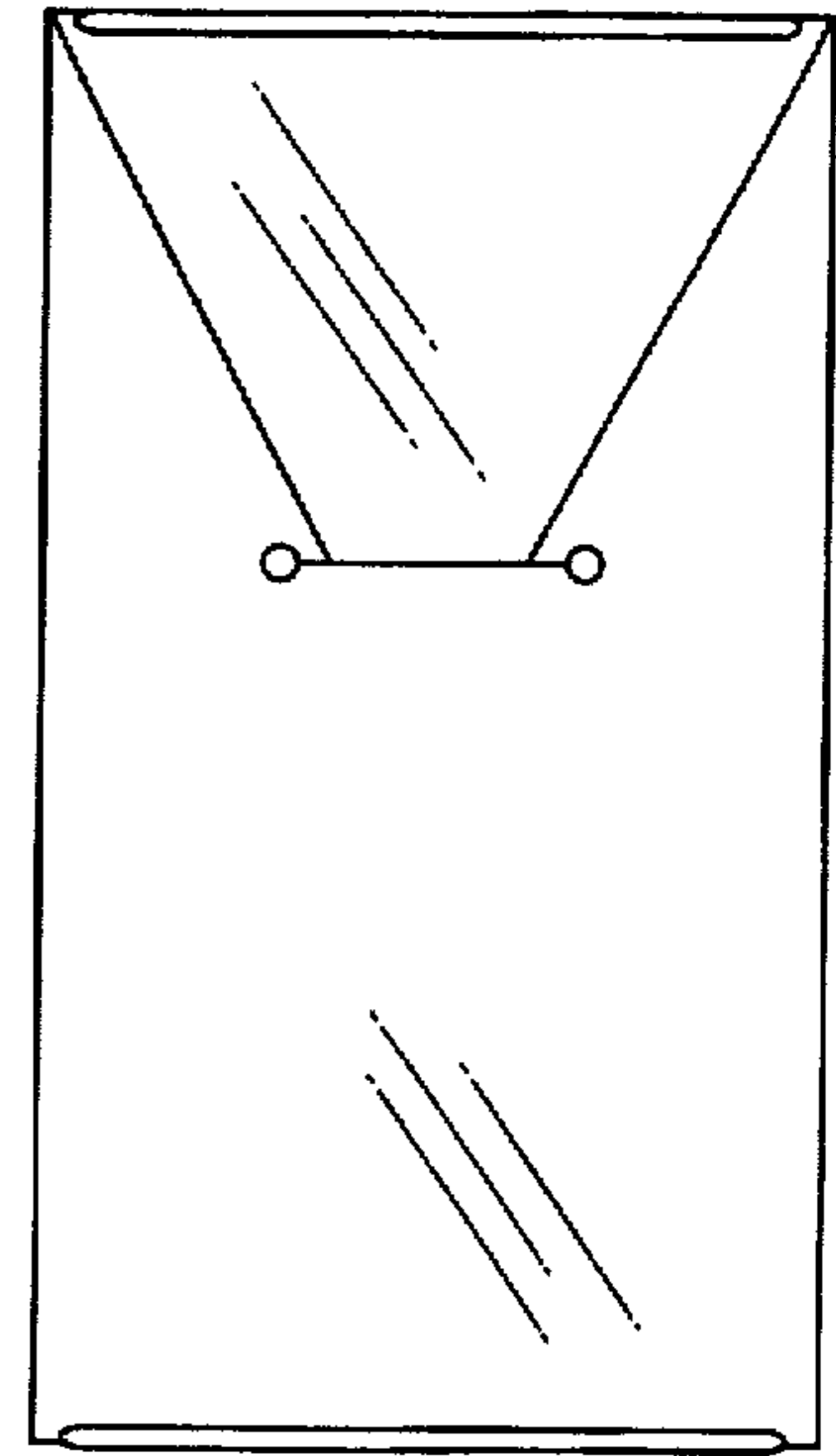


FIG. 7