



US00D387687S

United States Patent [19] Larson

[11] Patent Number: **Des. 387,687**

[45] Date of Patent: ****Dec. 16, 1997**

[54] **GOLF COURSE WIND SOCK FRAME**

4,730,488 3/1988 David 73/170.07

[76] Inventor: **Iris D. Larson**, 1611 E. Loralyn Dr.,
Kissimmee, Fla. 34744

Primary Examiner—Antoine Duval Davis
Attorney, Agent, or Firm—William M. Hobby, III

[**] Term: **14 Years**

[57] **CLAIM**

[21] Appl. No.: **69,240**

The ornamental design for a golf course wind sock frame, as shown and described.

[22] Filed: **Mar. 17, 1997**

DESCRIPTION

[51] LOC (6) Cl. **10-04**

[52] U.S. Cl. **D10/59**

[58] Field of Search D10/59; 73/170.05,
73/170.07

FIG. 1 is a top left side perspective view of my new golf course wind sock frame;

FIG. 2 is a front elevation;

FIG. 3 is a rear elevation;

FIG. 4 is a left side elevation, the right side being a mirror image thereof;

FIG. 5 is a top plan view;

FIG. 6 is a sectional view taken on the line 6—6 of FIG. 4; and,

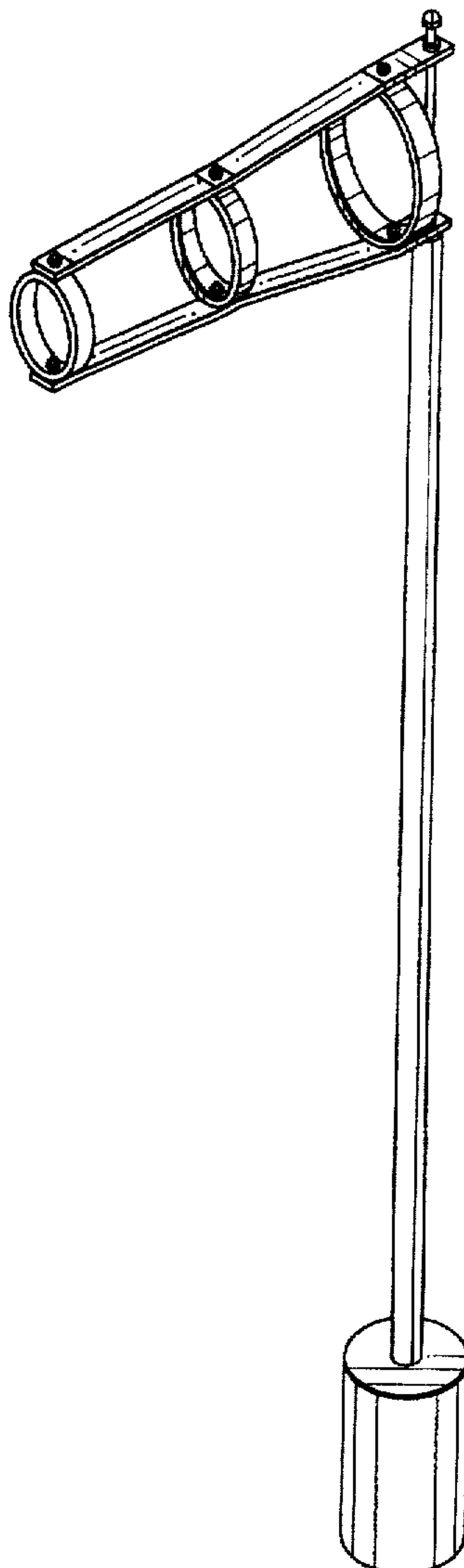
FIG. 7 is a bottom plan view.

[56] **References Cited**

U.S. PATENT DOCUMENTS

1,579,034	3/1926	Roberts	73/170.05
2,467,374	4/1949	Findlater	73/170.05
4,558,862	12/1985	Kelly	73/170.05
4,669,304	6/1987	Caragata	73/170.07

1 Claim, 1 Drawing Sheet



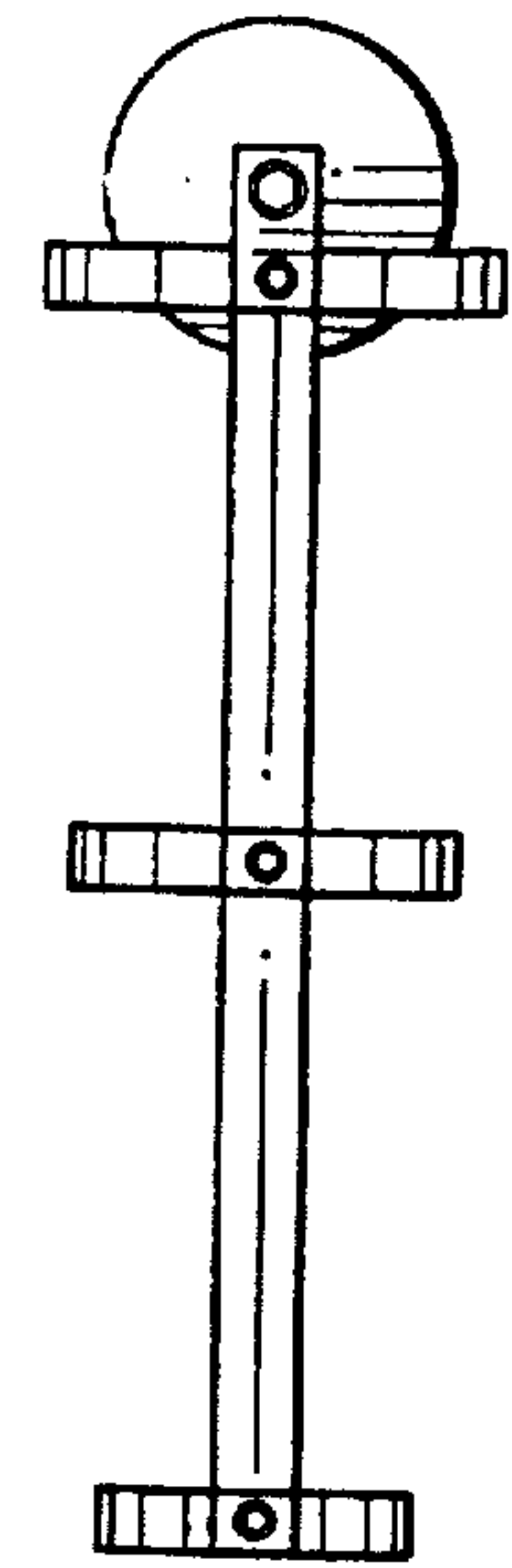
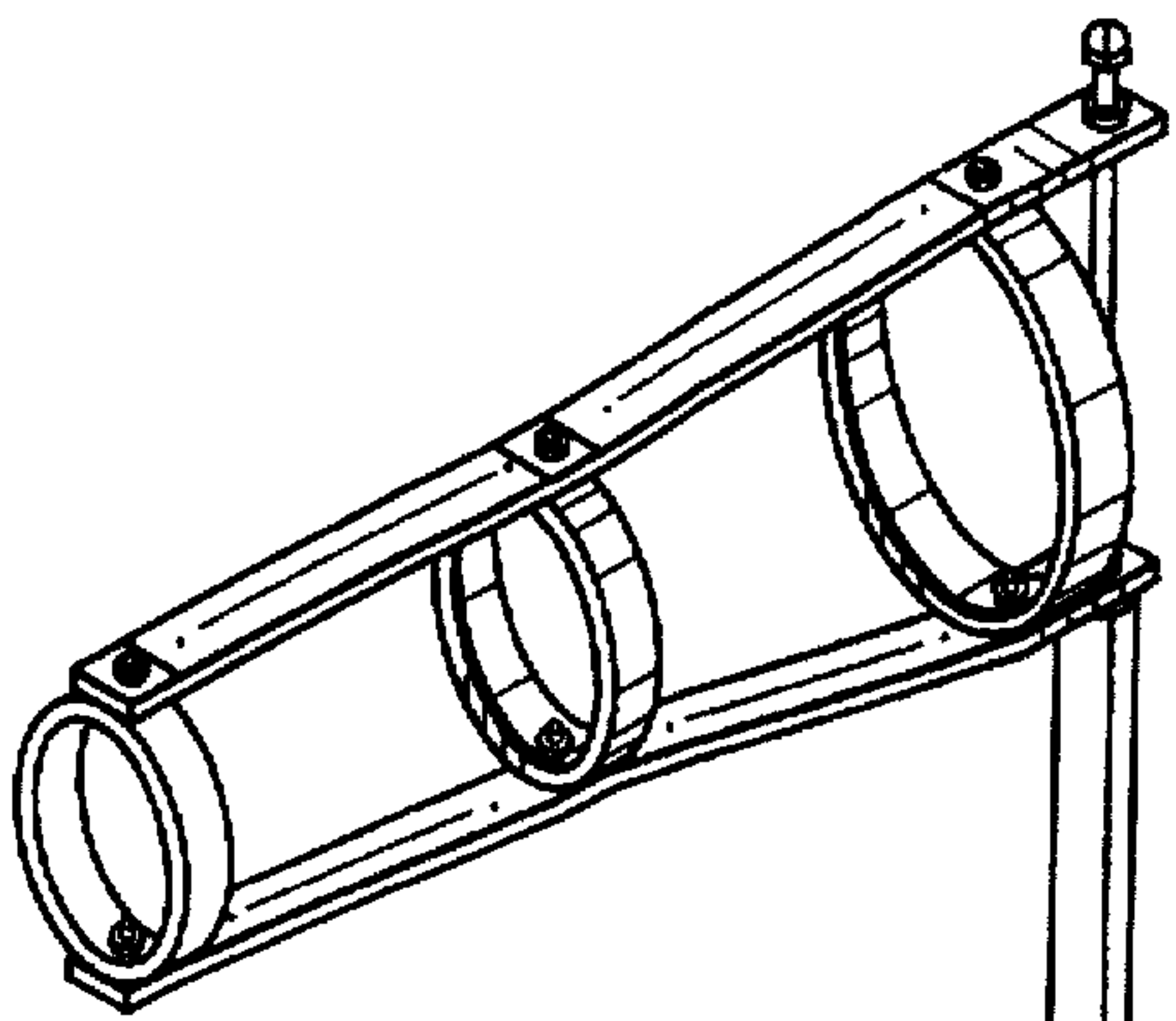


FIG. 5

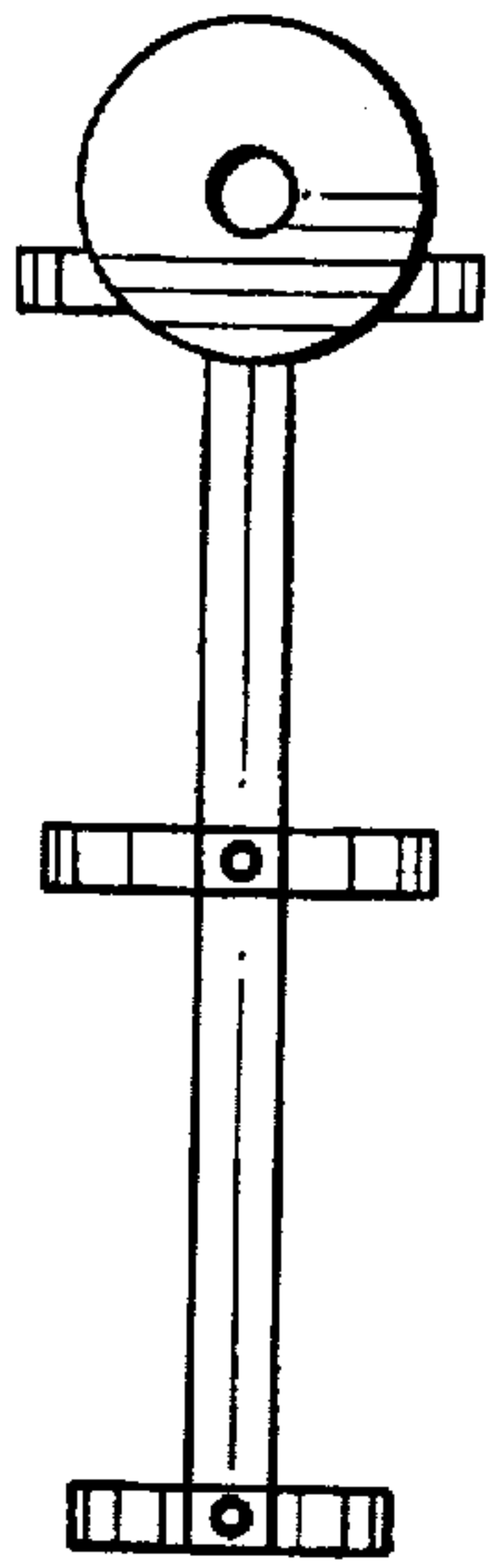


FIG. 7

FIG. 1

FIG. 2

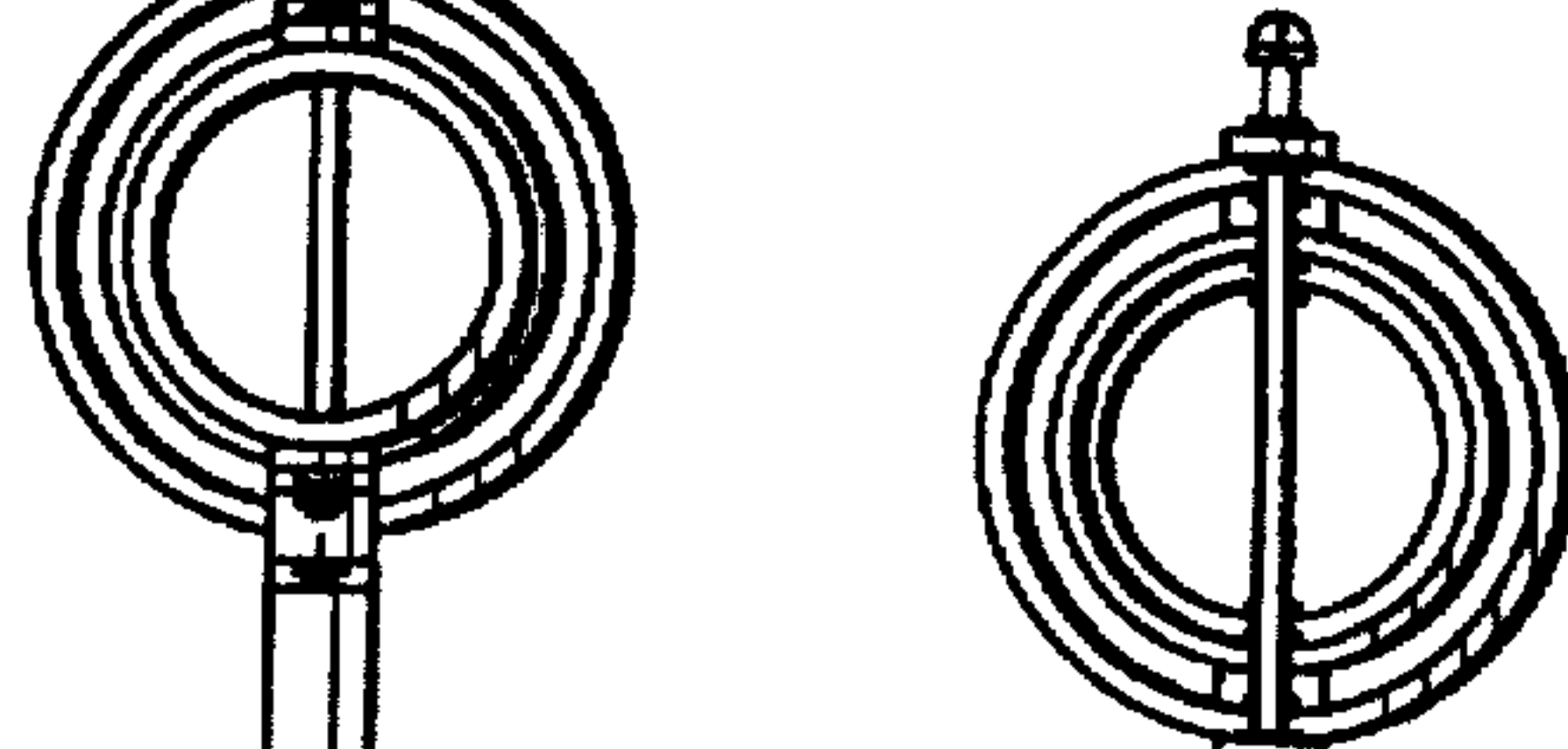
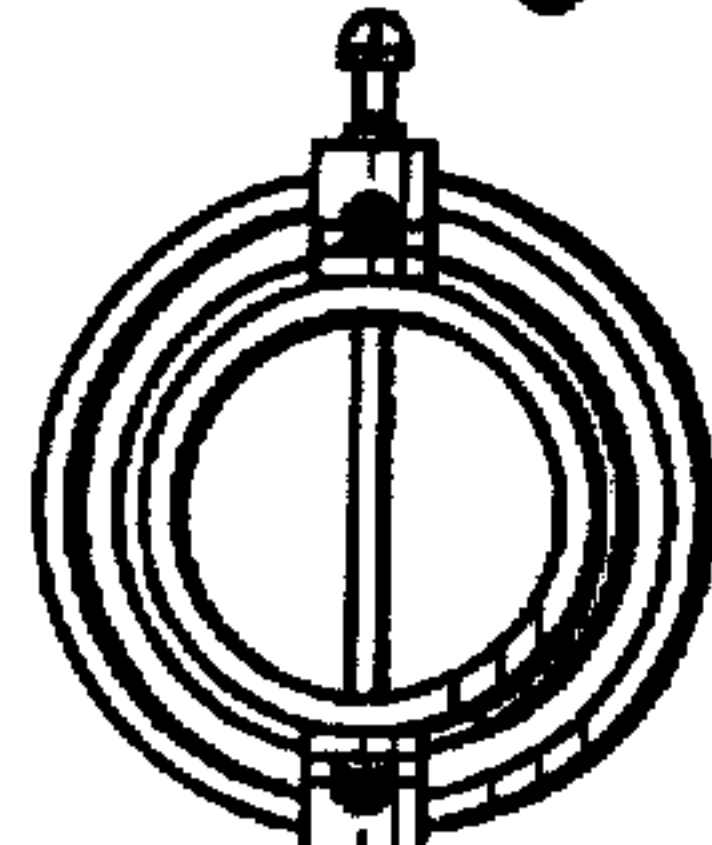
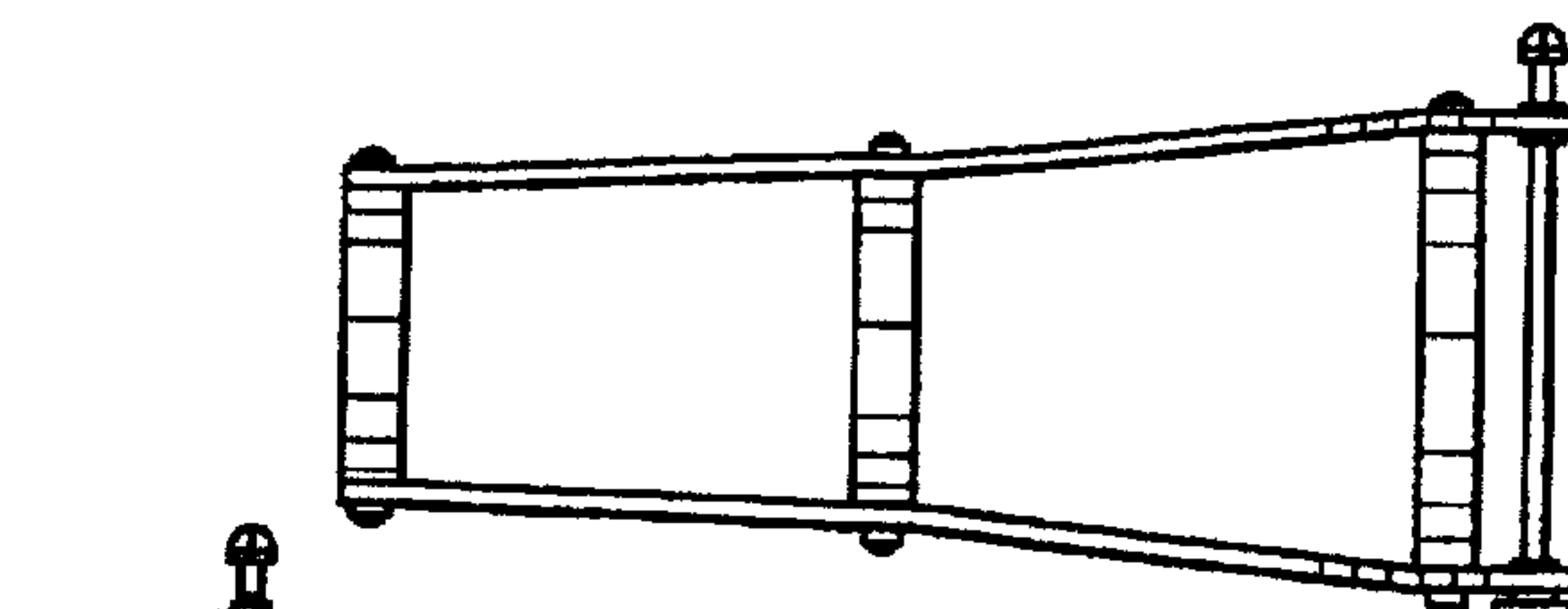


FIG. 6

FIG. 3



FIG. 4