



US00D387658S

United States Patent [19] VanEtten

[11] Patent Number: **Des. 387,658**
[45] Date of Patent: ****Dec. 16, 1997**

[54] **PAIR OF DOOR STOPS EACH CONTAINING
A PAIR OF SPRINKLER WEDGES**

4,208,841 6/1980 Starks 292/343 X
5,163,255 11/1992 Gamba 206/499 X
5,217,269 6/1993 Wiltberger 292/343

[76] Inventor: **John M. VanEtten**, 815 Cleveland Ave., Michigan City, Ind. 46360

FOREIGN PATENT DOCUMENTS

[**] Term: **14 Years**

2076922 12/1981 United Kingdom 292/342

[21] Appl. No.: **61,589**

Primary Examiner—Ted Shooman
Assistant Examiner—C. Tuttle

[22] Filed: **Oct. 25, 1996**

[57] **CLAIM**

[51] LOC (6) Cl. **08-09**

[52] U.S. Cl. **D8/402**

[58] Field of Search D8/400, 402; D9/351,
D9/341; 16/82, 86 R, 86 A, 86 B; 292/342,
343, DIG. 15; 206/499, 503, 504

The ornamental design for a pair of door stops each containing a pair of sprinkler wedges, as shown and described.

DESCRIPTION

[56] **References Cited**

U.S. PATENT DOCUMENTS

D. 178,994	10/1956	Gislason	D8/402
D. 284,738	7/1986	Stone	D8/402
377,927	2/1888	Campbell	16/82 X
947,805	2/1910	Dumont	16/82 X
1,434,541	11/1922	Hopf	292/342 X
2,626,826	1/1953	Dritz	16/82 X
4,142,752	3/1979	Chilton	16/82 X

FIG. 1 is a perspective view of the pair of door stops each containing a pair of sprinkler wedges showing my new design;

FIG. 2 is a front elevational view thereof;

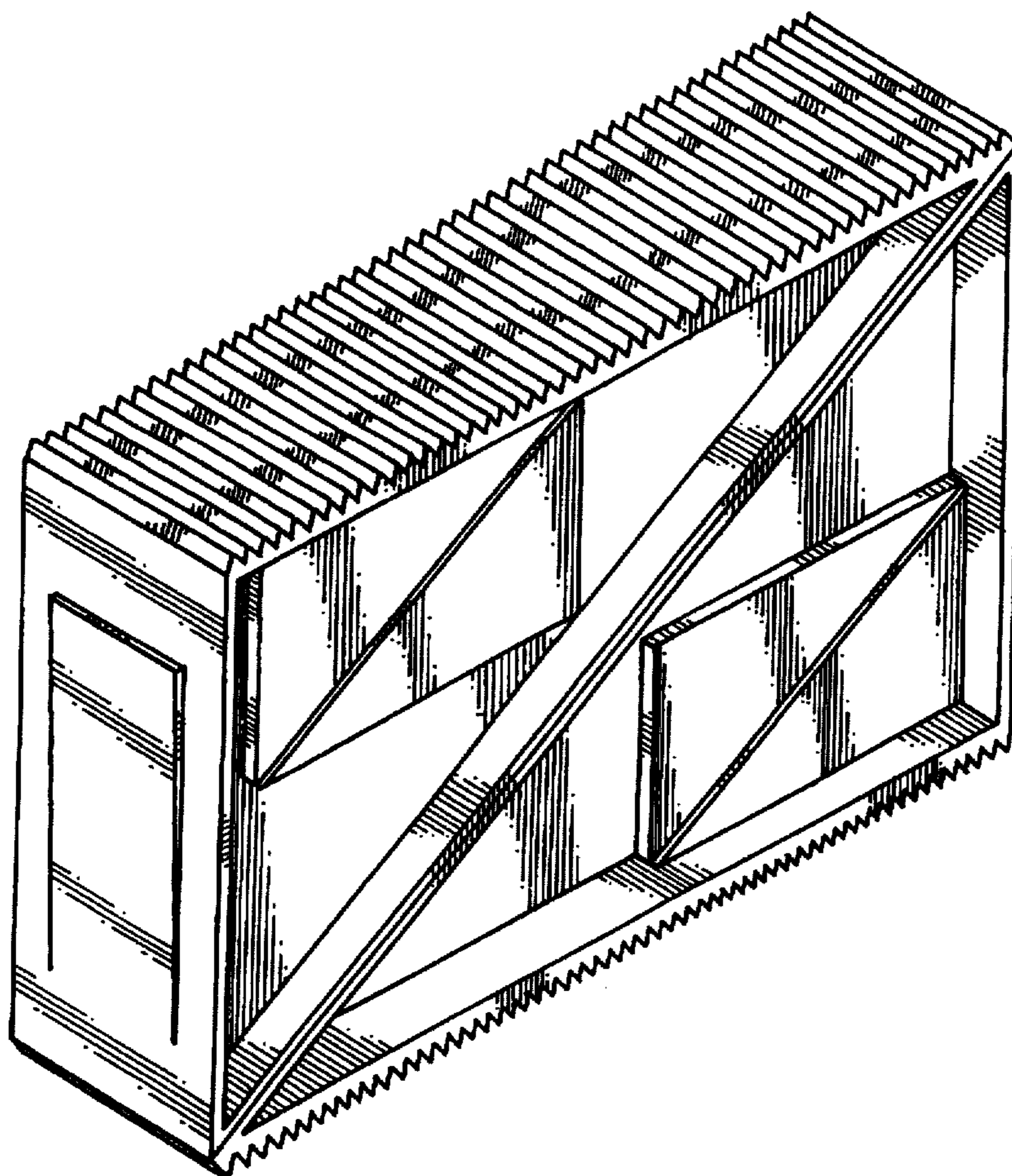
FIG. 3 is a rear elevational view thereof;

FIG. 4 is a right end elevational view thereof;

FIG. 5 is a left end elevational view thereof; and,

FIG. 6 is a top plan view thereof, the bottom plan view being a mirror image of the view shown in this Figure.

1 Claim, 3 Drawing Sheets



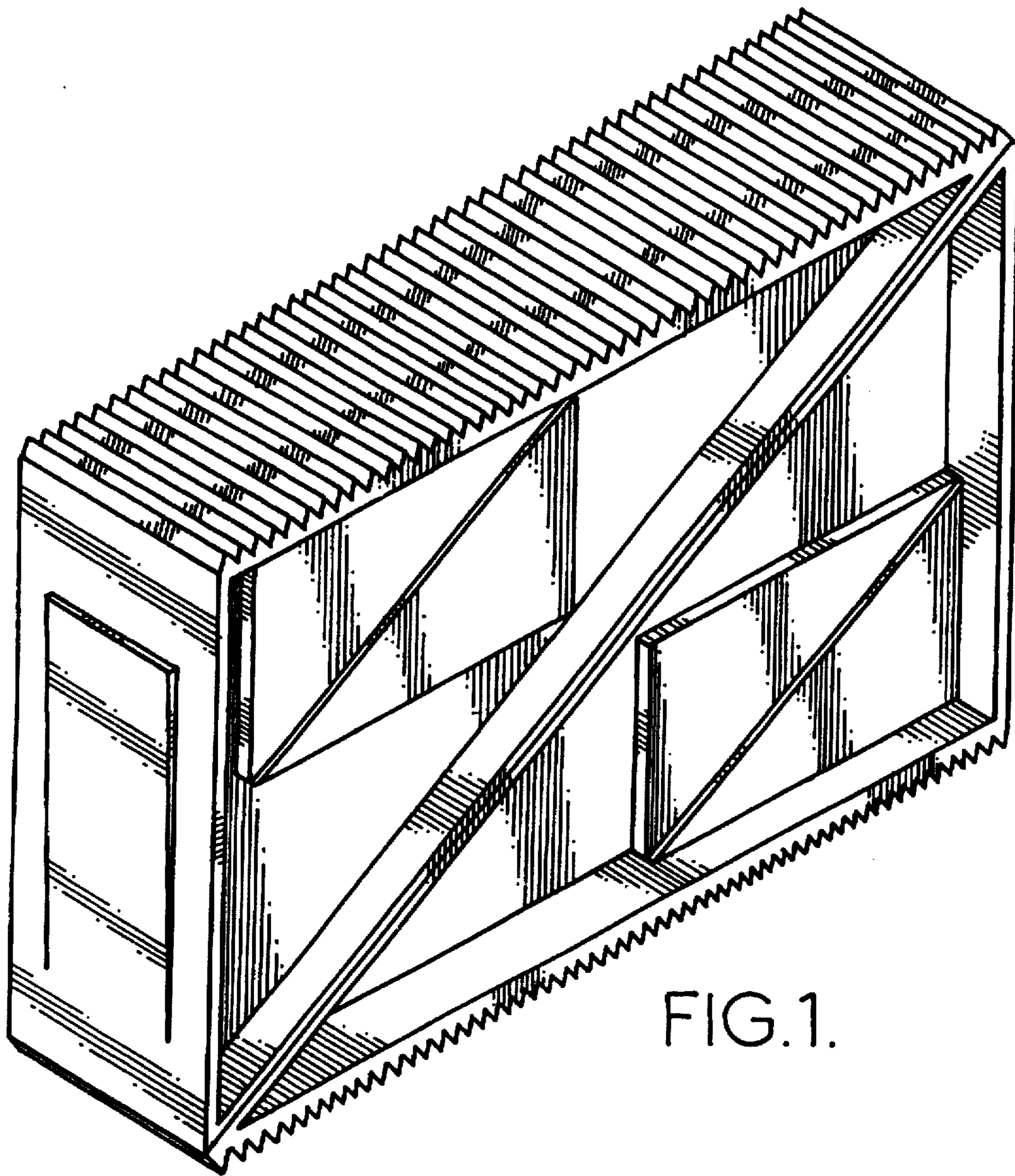


FIG.1.

FIG. 2.

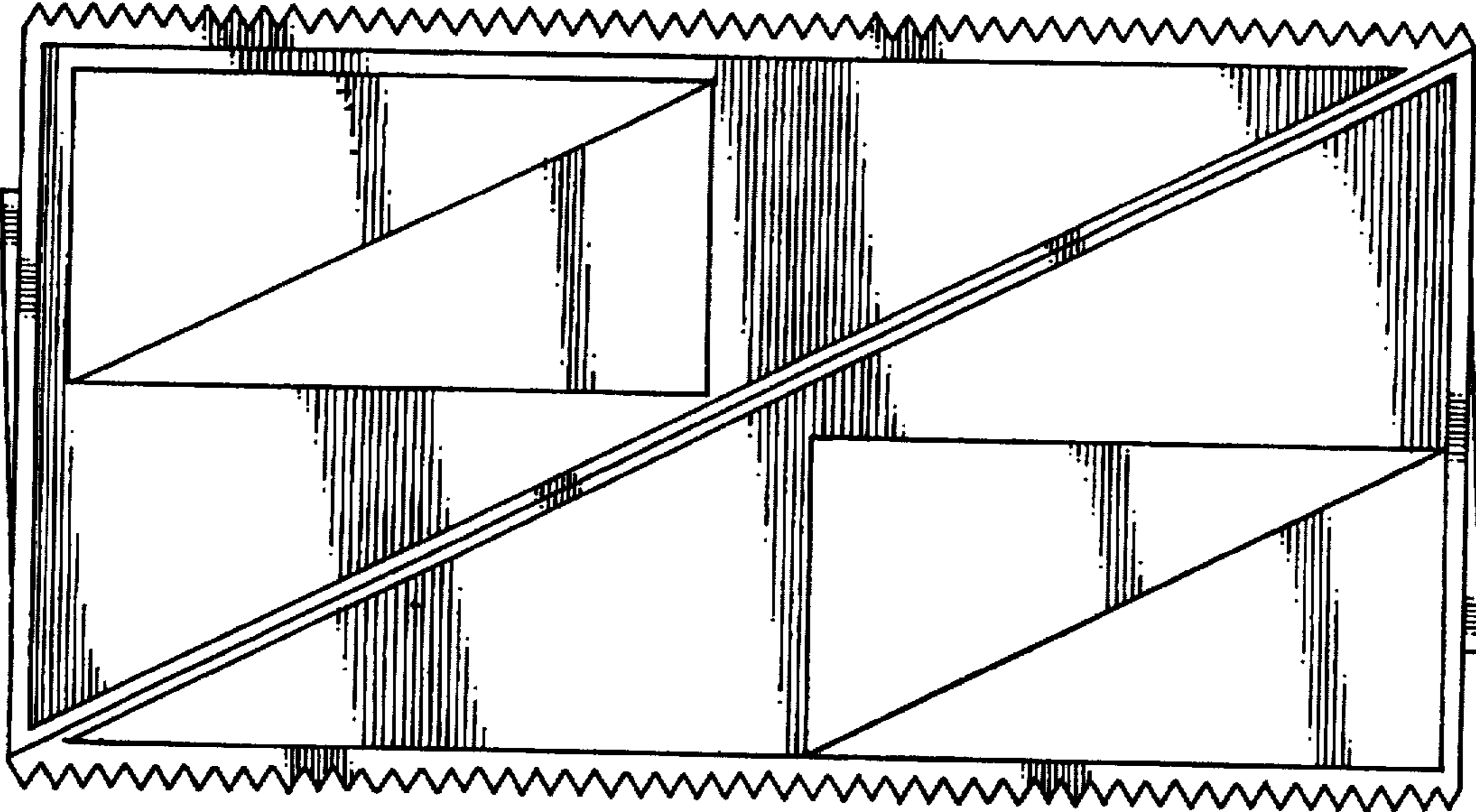


FIG. 4.

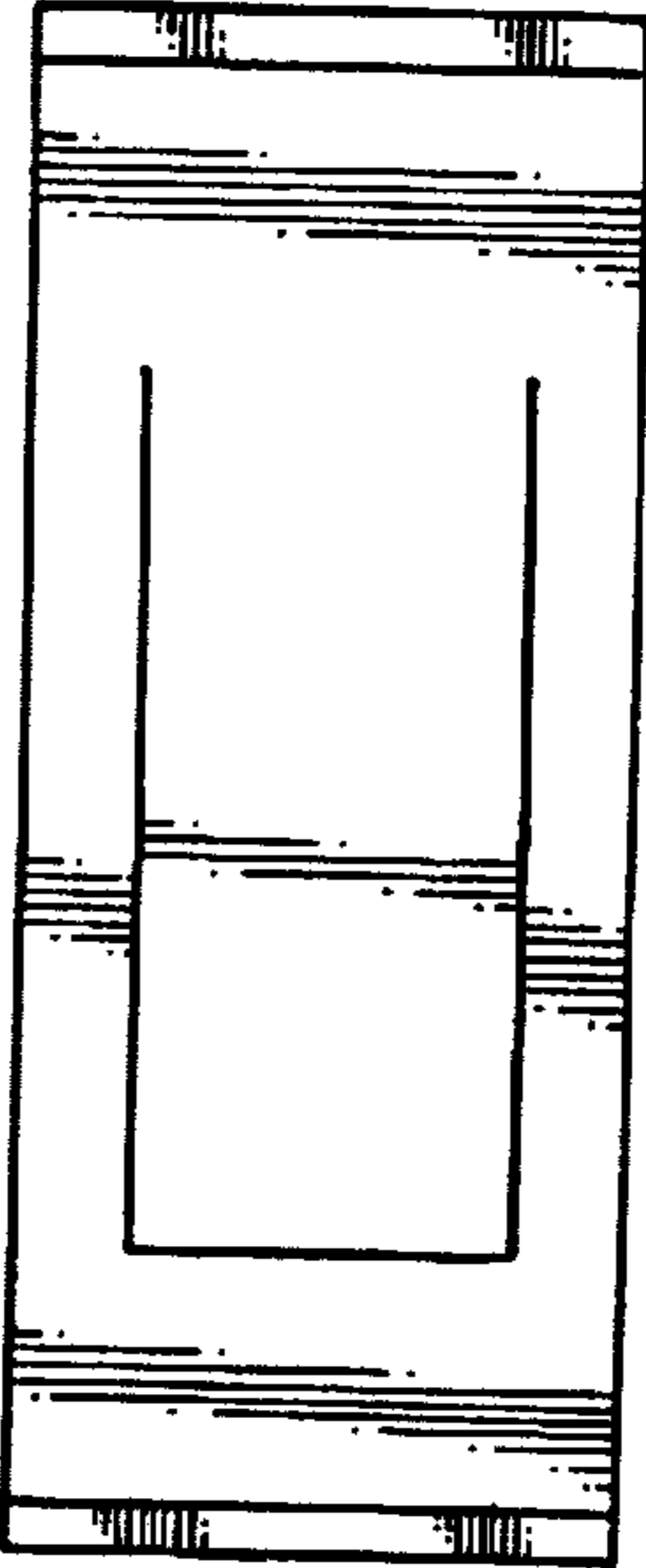


FIG. 6

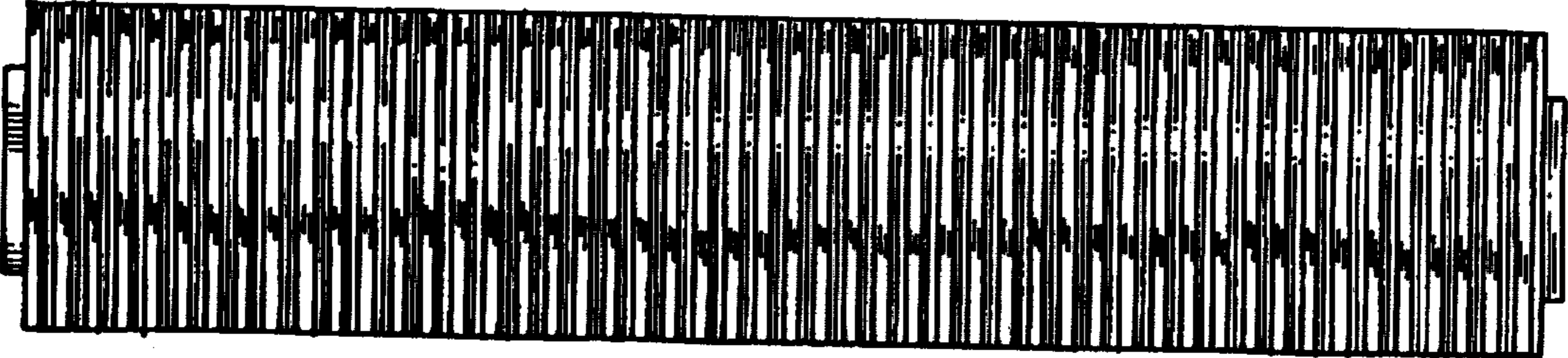


FIG. 3.

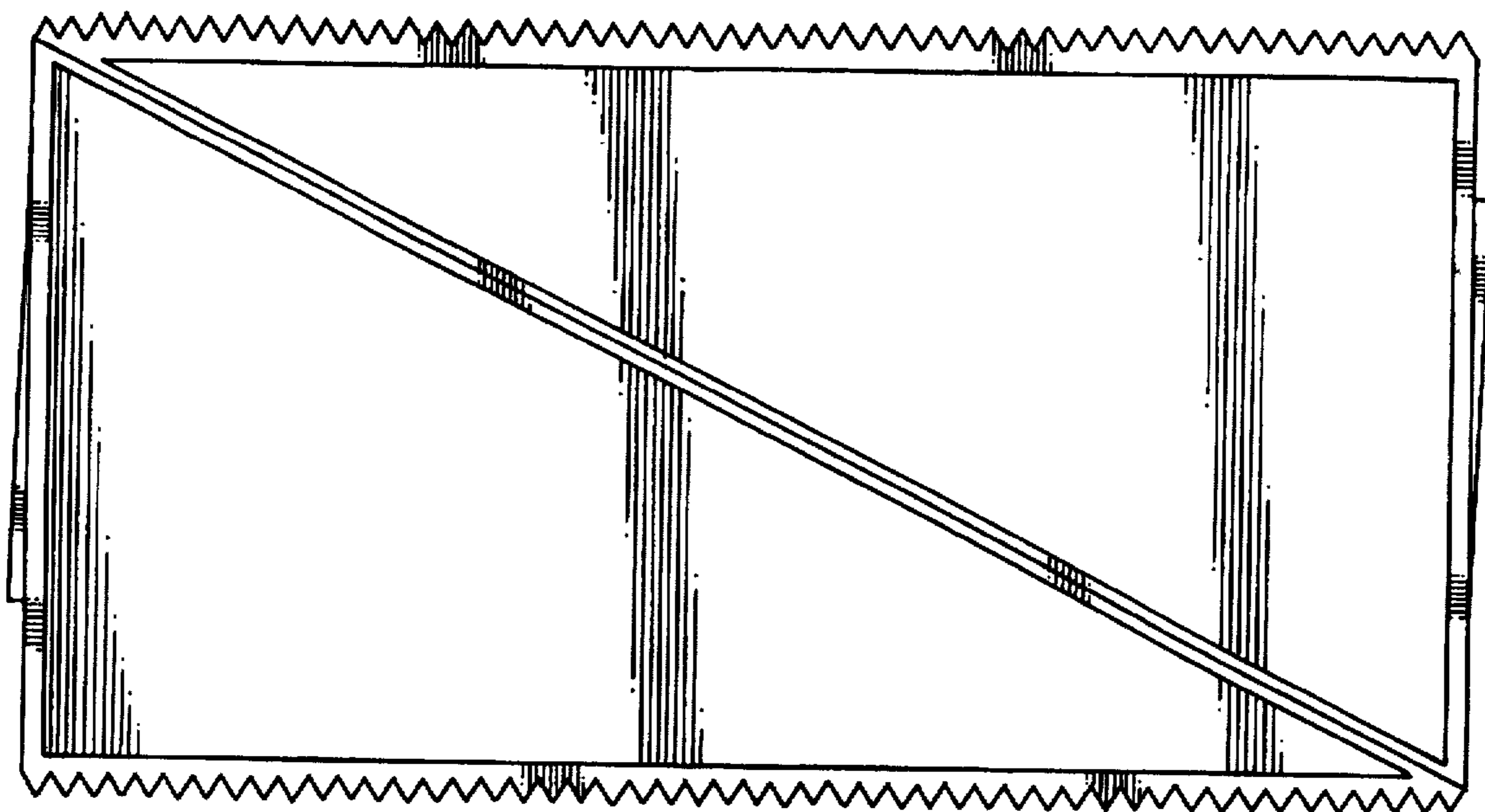


FIG. 5.

