



US00D387655S

United States Patent [19]

Kopish

[11] Patent Number: **Des. 387,655**

[45] Date of Patent: ****Dec. 16, 1997**

[54] **CONNECTOR FOR A PAIR OF FURNITURE POST SECTIONS**

3,972,638	8/1976	Vivoli .
4,681,477	7/1987	Fischer .
4,903,354	2/1990	Yeh .
5,144,780	9/1992	Gieling et al. .

[75] Inventor: **Andrew J. Kopish**, Green Bay, Wis.

[73] Assignee: **Krueger International**, Green Bay, Wis.

Primary Examiner—B. J. Bullock
Attorney, Agent, or Firm—Andrus, Scales, Starke & Sawall

[**] Term: **14 Years**

[21] Appl. No.: **53,239**

[57] **CLAIM**

[22] Filed: **Apr. 18, 1996**

The ornamental design of a connector for a pair of furniture post sections, as shown and described.

Related U.S. Application Data

DESCRIPTION

[62] Division of Ser. No. 40,070, Jun. 9, 1995, Pat. No. Des. 374,169.

FIG. 1 is an isometric view of a connector for a pair of furniture post sections incorporating my new design;

[51] LOC (6) Cl. **08-08**

FIG. 2 is a reduced left side elevational view thereof, the right side elevation being identical;

[52] U.S. Cl. **D8/382**

[58] Field of Search D8/382; 403/292, 403/298

FIG. 3 is a reduced front elevational view thereof, the rear elevation being identical; and,

FIG. 4 is a reduced top plan view thereof, the bottom plan view being identical.

[56] **References Cited**

U.S. PATENT DOCUMENTS

3,759,623 9/1973 Hesse .

1 Claim, 1 Drawing Sheet

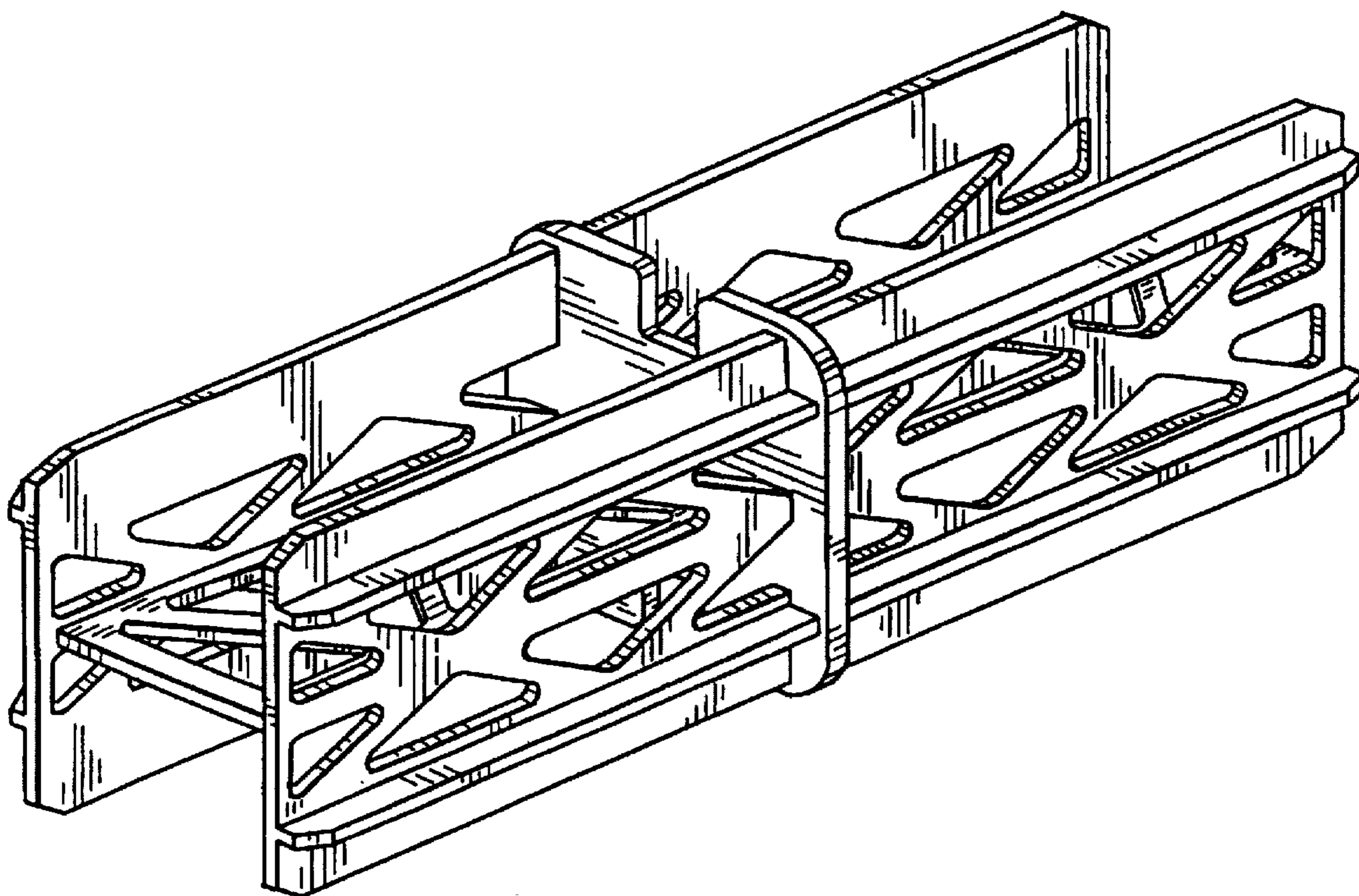


FIG. 1

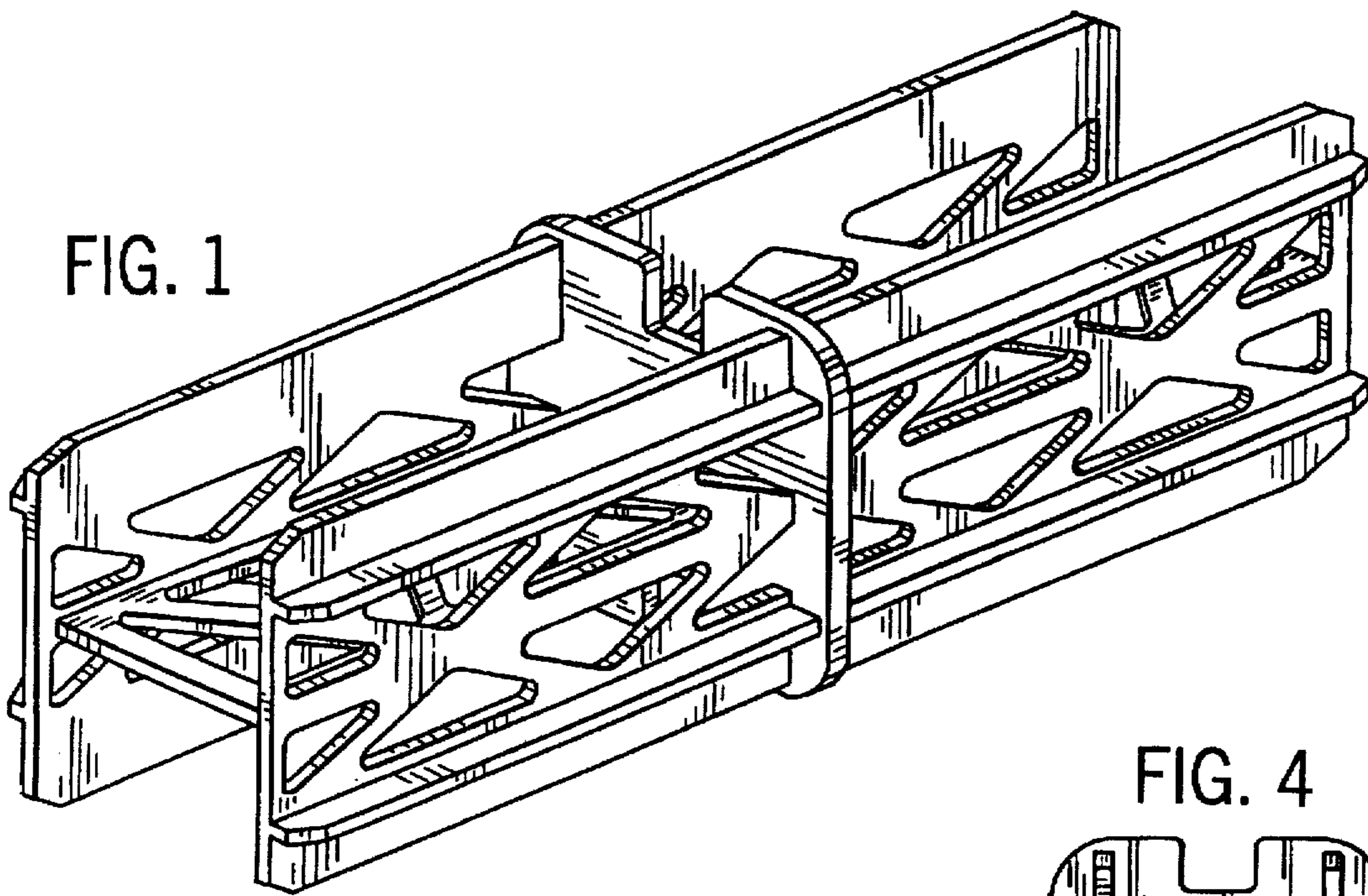


FIG. 4

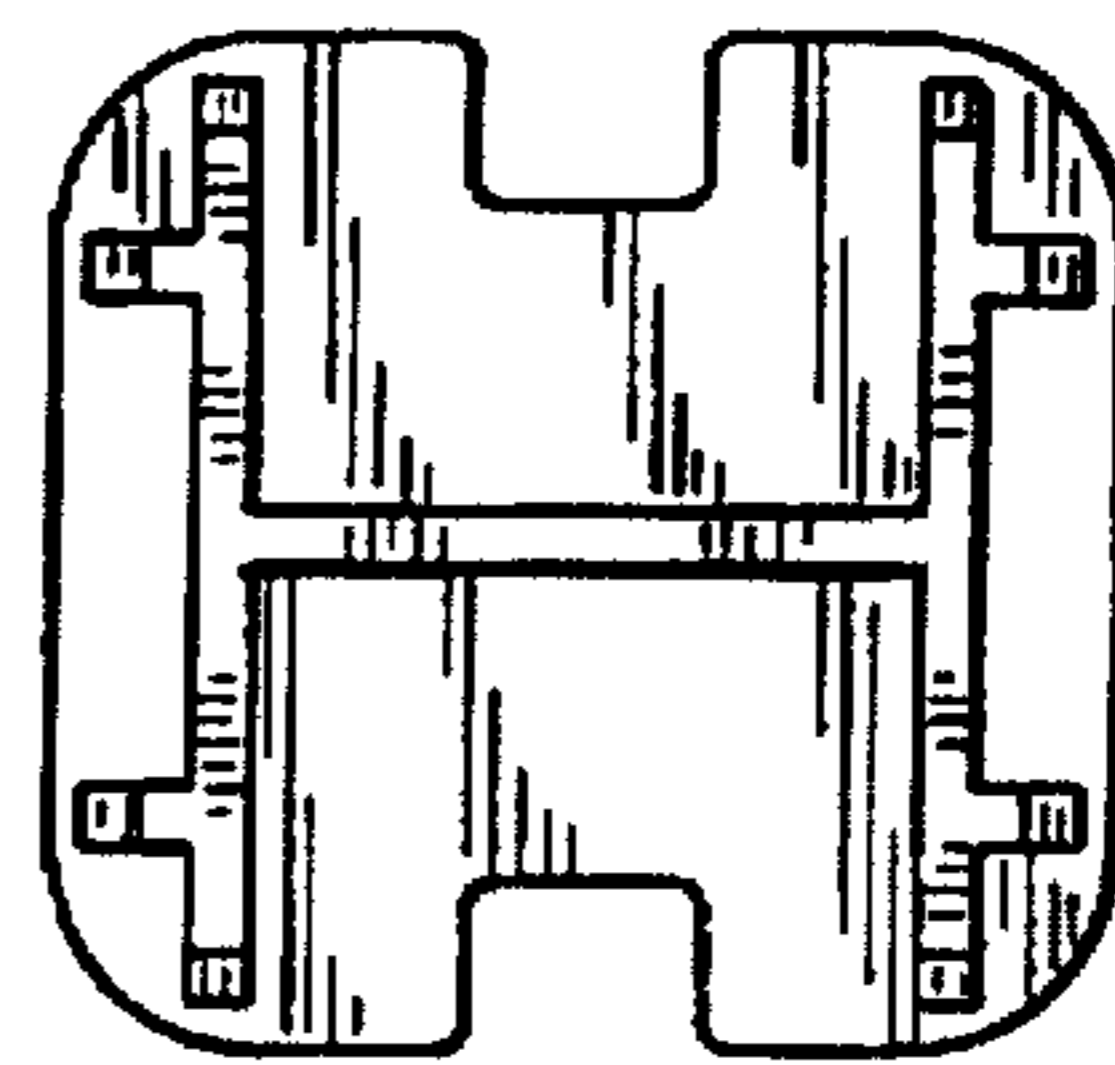


FIG. 2

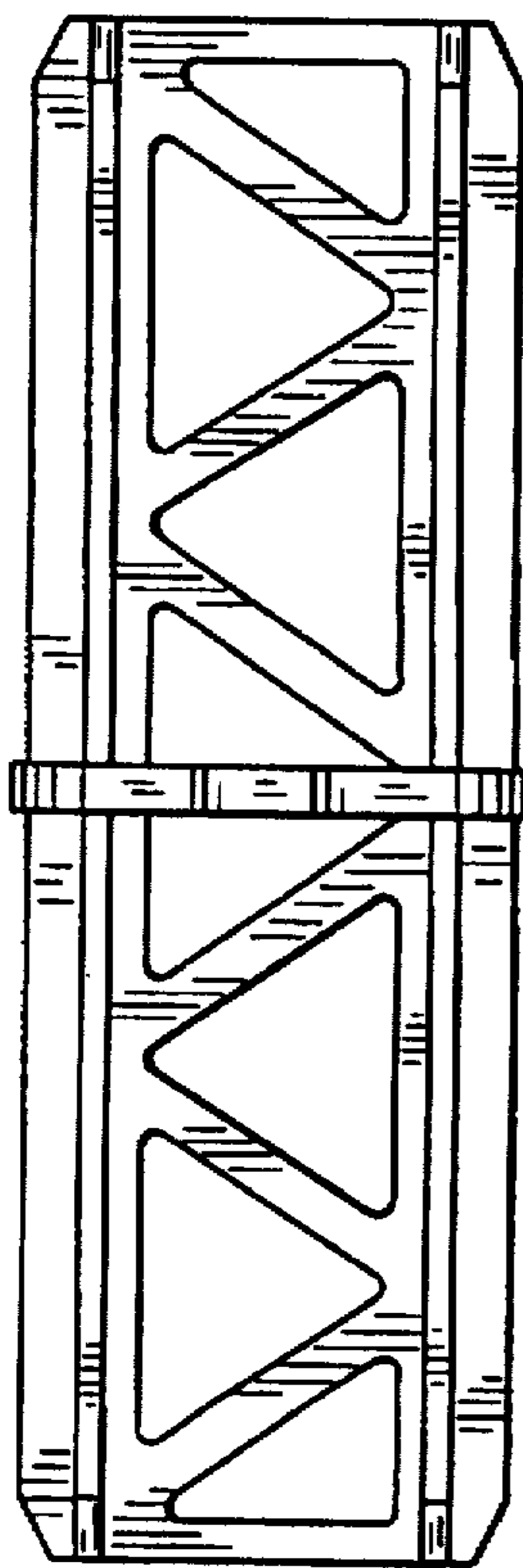


FIG. 3

