



US00D387654S

United States Patent [19]

[11] Patent Number: **Des. 387,654**

Vogels

[45] Date of Patent: ****Dec. 16, 1997**

[54] **SUPPORT FOR TELEVISION AND AUDIO/VIDEO APPARATUS**

[75] Inventor: **Henricus Hyacinthus Vogels**,
Hondsruglaan, Netherlands

[73] Assignee: **Vogel's Holding B.V.**, Eindhoven,
Netherlands

[**] Term: **14 Years**

[21] Appl. No.: **62,724**

[22] Filed: **Nov. 22, 1996**

Related U.S. Application Data

[62] Division of Ser. No. 56,392, Jun. 27, 1996, which is a
division of Ser. No. 48,116, Dec. 20, 1995.

[30] **Foreign Application Priority Data**

Jun. 23, 1995 [WO] WIPO DMA/002976

[51] LOC (6) Cl. **08-08**

[52] U.S. Cl. **D8/363**

[58] Field of Search D8/363, 354, 373,
D8/380; D6/553, 567, 570; 248/670, 220.2,
235, 241, 274, 284, 281.1, 291, 312; 211/96,
100

[56] **References Cited**

U.S. PATENT DOCUMENTS

D. 320,928	10/1991	Boscacci et al.	D8/363
D. 349,640	8/1994	Whitaker	D8/363
D. 352,652	11/1994	Vogels	D8/363
D. 371,063	6/1996	Barkan	D8/363
5,277,392	1/1994	Rossman et al.	248/284 X

Primary Examiner—Brian N. Vinson

[57] **CLAIM**

The ornamental design for a support for television and audio/video apparatus, as shown and described.

DESCRIPTION

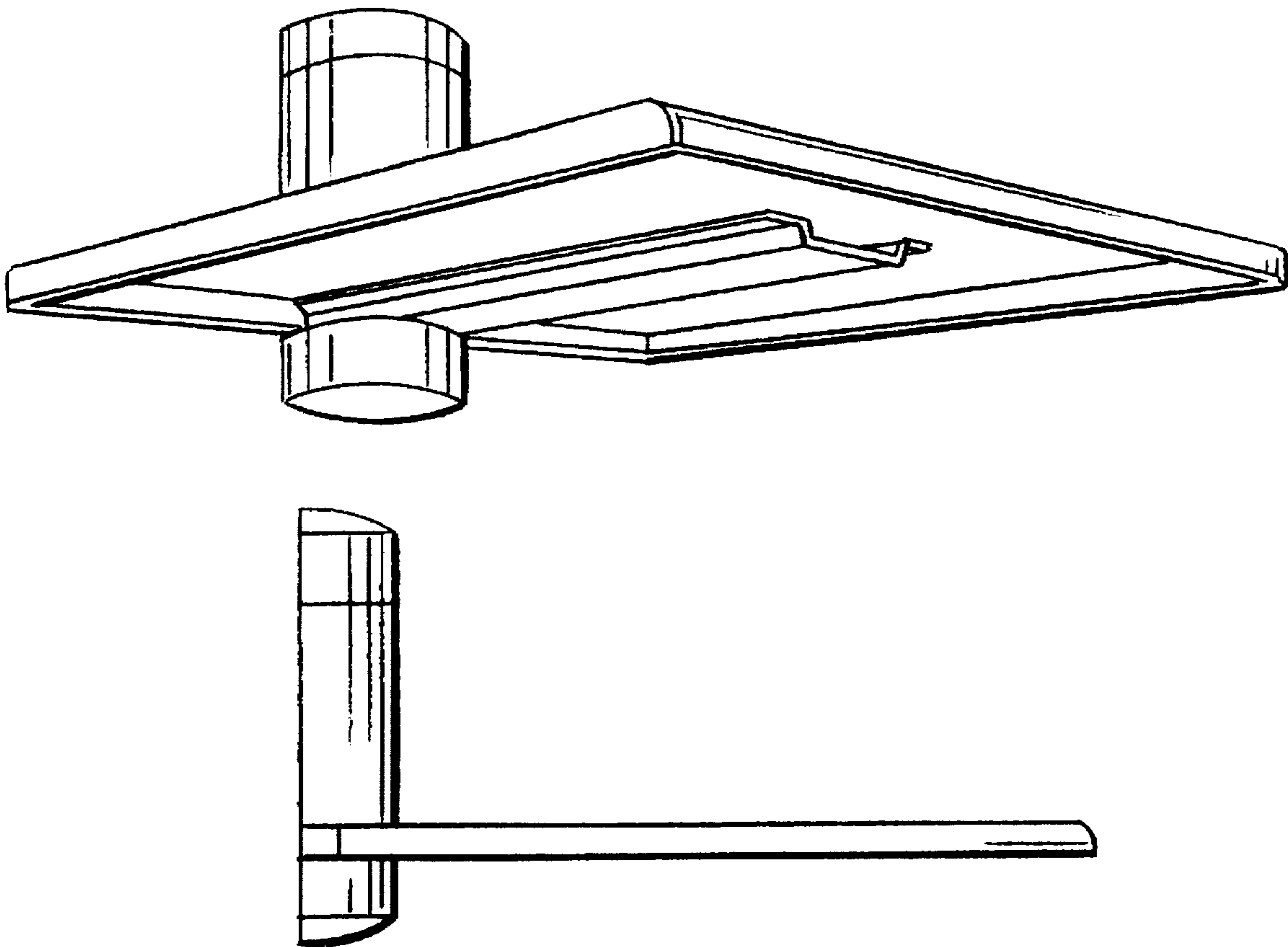
FIG. 1 is a bottom, front, and left side perspective view of a support for television and audio/video apparatus showing my new design;

FIG. 2 is a left side elevational view thereof, the right side being a mirror image of that shown;

FIG. 3 is a bottom plan view thereof; and,

FIG. 4 is a top plan view thereof.

1 Claim, 2 Drawing Sheets



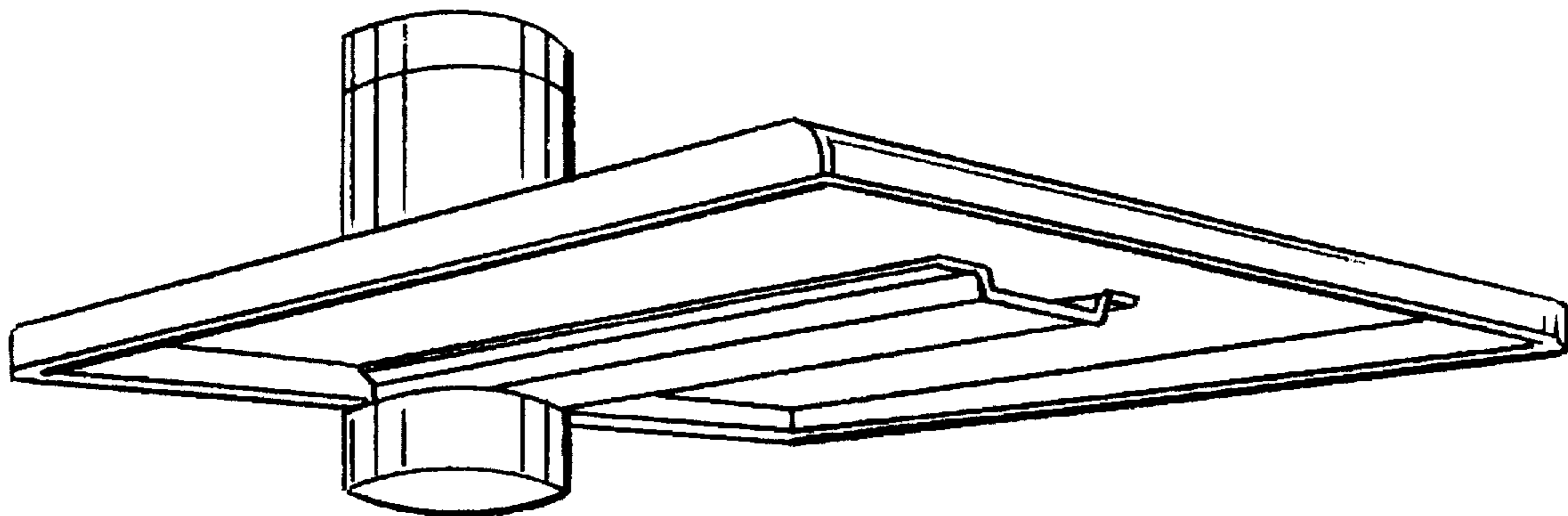


FIG. 1

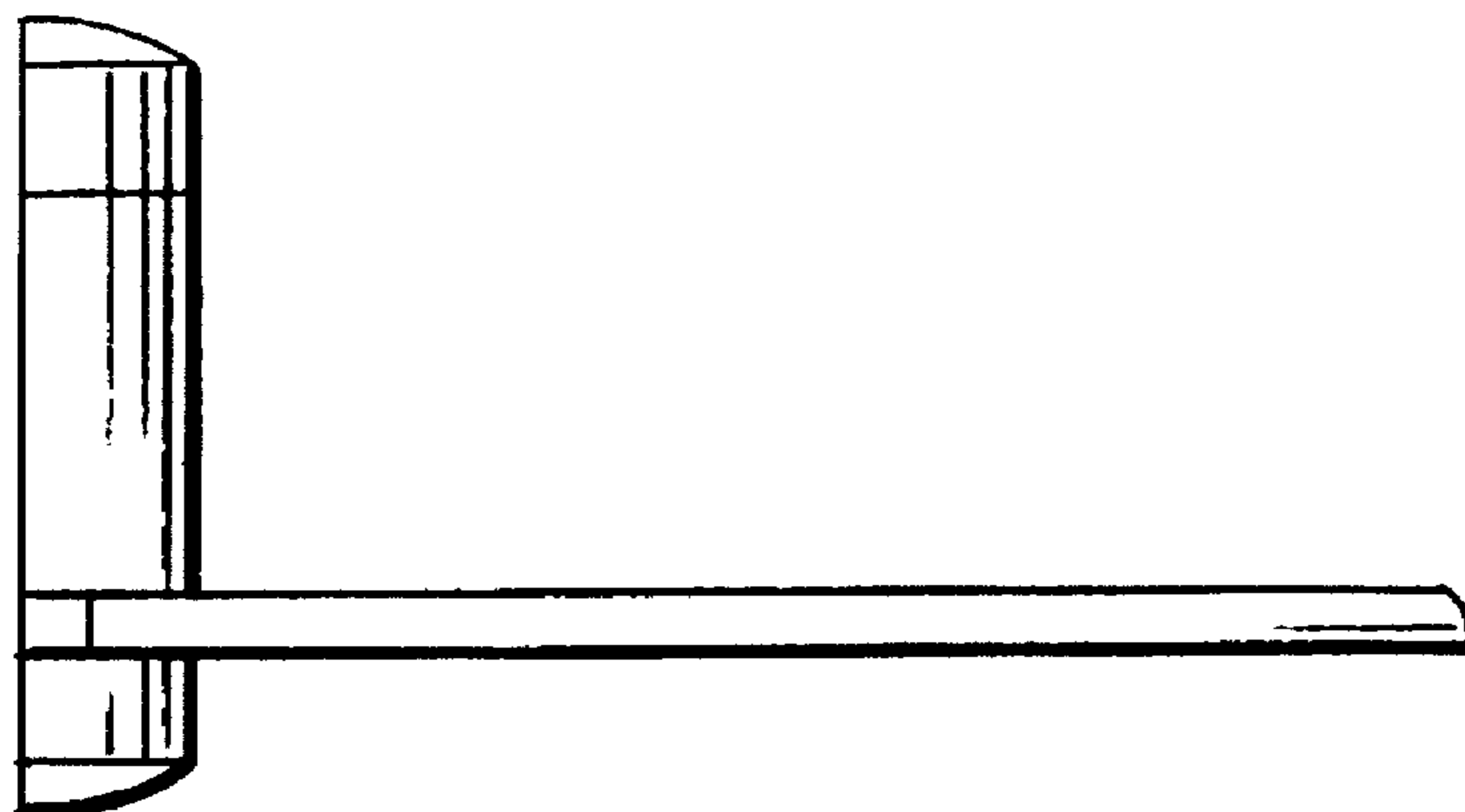


FIG. 2

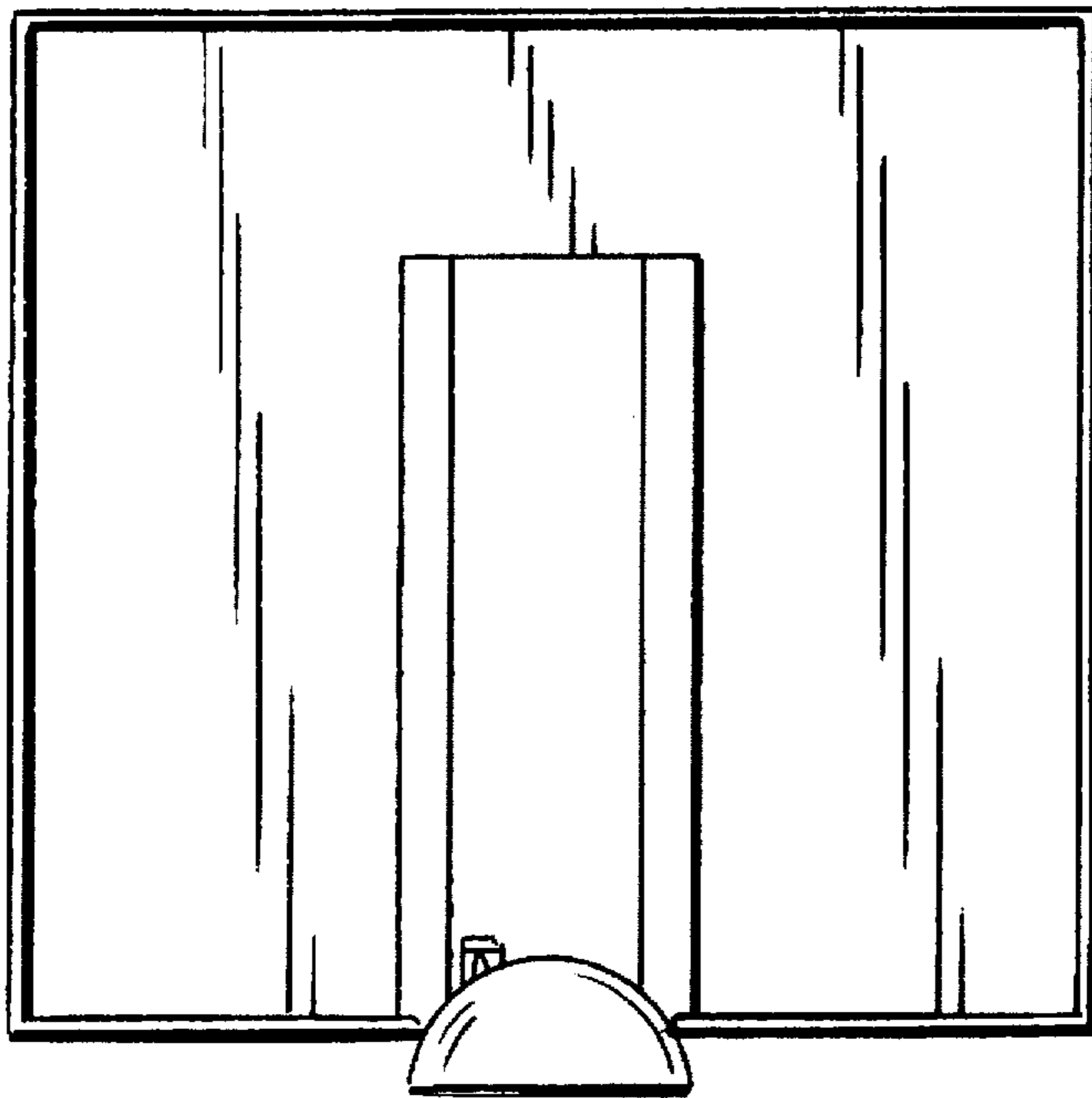


FIG. 3

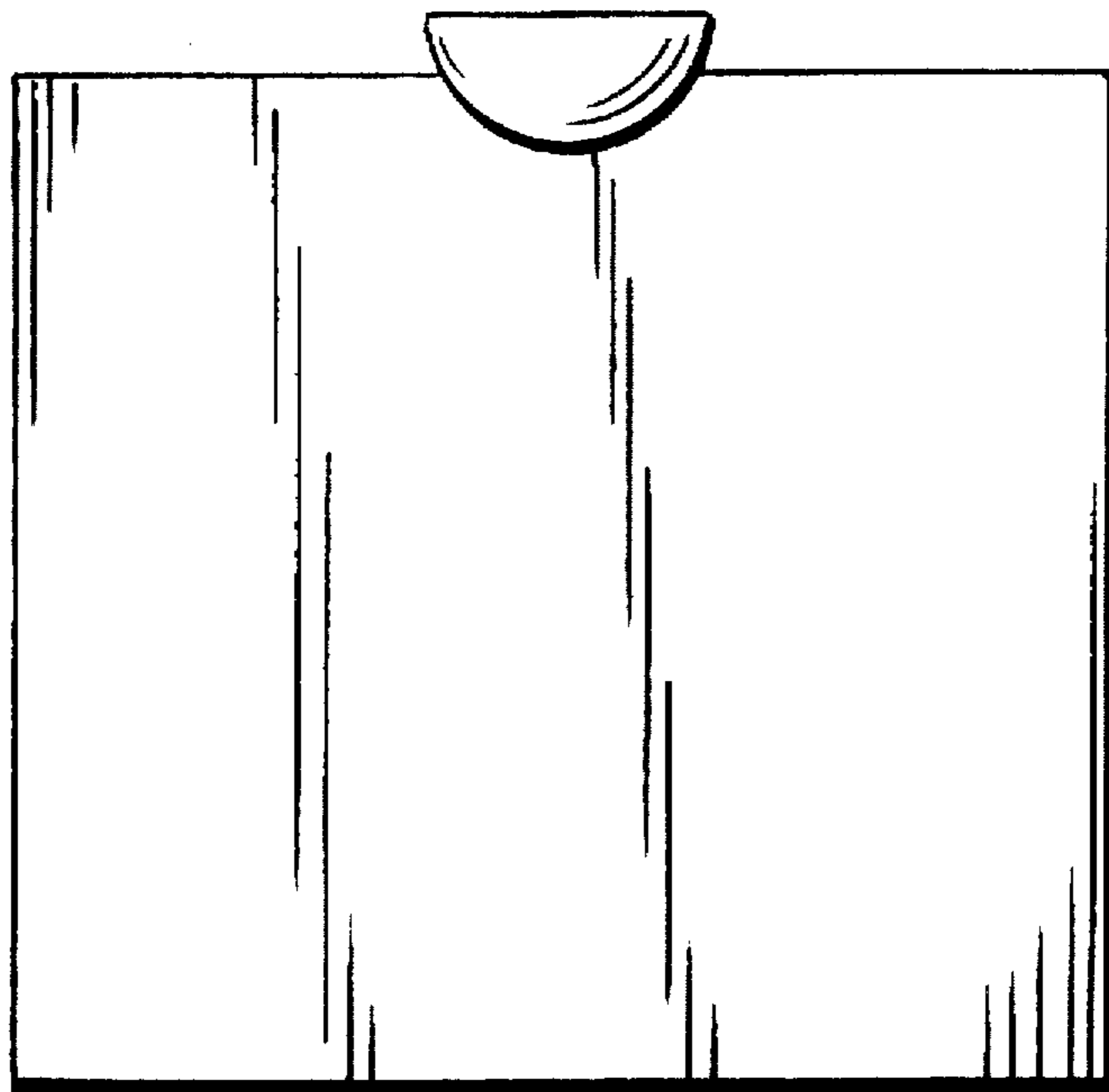


FIG. 4