



US00D387653S

United States Patent [19]

[11] Patent Number: **Des. 387,653**

Vogels

[45] Date of Patent: ****Dec. 16, 1997**

[54] **SUPPORT FOR TELEVISION AND AUDIO/VIDEO APPARATUS**

[75] Inventor: **Henricus Hyacinthus Vogels**,
Eindhoven, Netherlands

[73] Assignee: **Vogel's Holding B.V.**, Eindhoven,
Netherlands

[**] Term: **14 Years**

[21] Appl. No.: **62,723**

[22] Filed: **Nov. 22, 1996**

Related U.S. Application Data

[62] Division of Ser. No. 56,392, Jun. 27, 1996, which is a
division of Ser. No. 48,116, Dec. 20, 1995.

[30] **Foreign Application Priority Data**

Jun. 23, 1995 [WO] WIPO DMA/002976

[51] LOC (6) CL **08-08**

[52] U.S. Cl. **D8/363**

[58] Field of Search D8/363, 354, 373,
D8/380; D6/553, 567, 570; 248/670, 220.2,
235, 241, 274, 284, 281.1, 291, 312; 211/96,
100

[56] **References Cited**

U.S. PATENT DOCUMENTS

D. 314,505	2/1991	Chen	D8/380
D. 356,940	4/1995	Vogels	D8/363
D. 357,406	4/1995	Whitaker	D8/380
5,000,608	3/1991	Schmidt	248/284 X

Primary Examiner—Brian N. Vinson

[57] **CLAIM**

The ornamental design for a support for television and audio/video apparatus, as shown and described.

DESCRIPTION

FIG. 1 is a bottom, front, and left side perspective view of a support for television and audio/video apparatus showing my new design;

FIG. 2 is a left side elevational view thereof, the right side being a mirror image of that shown;

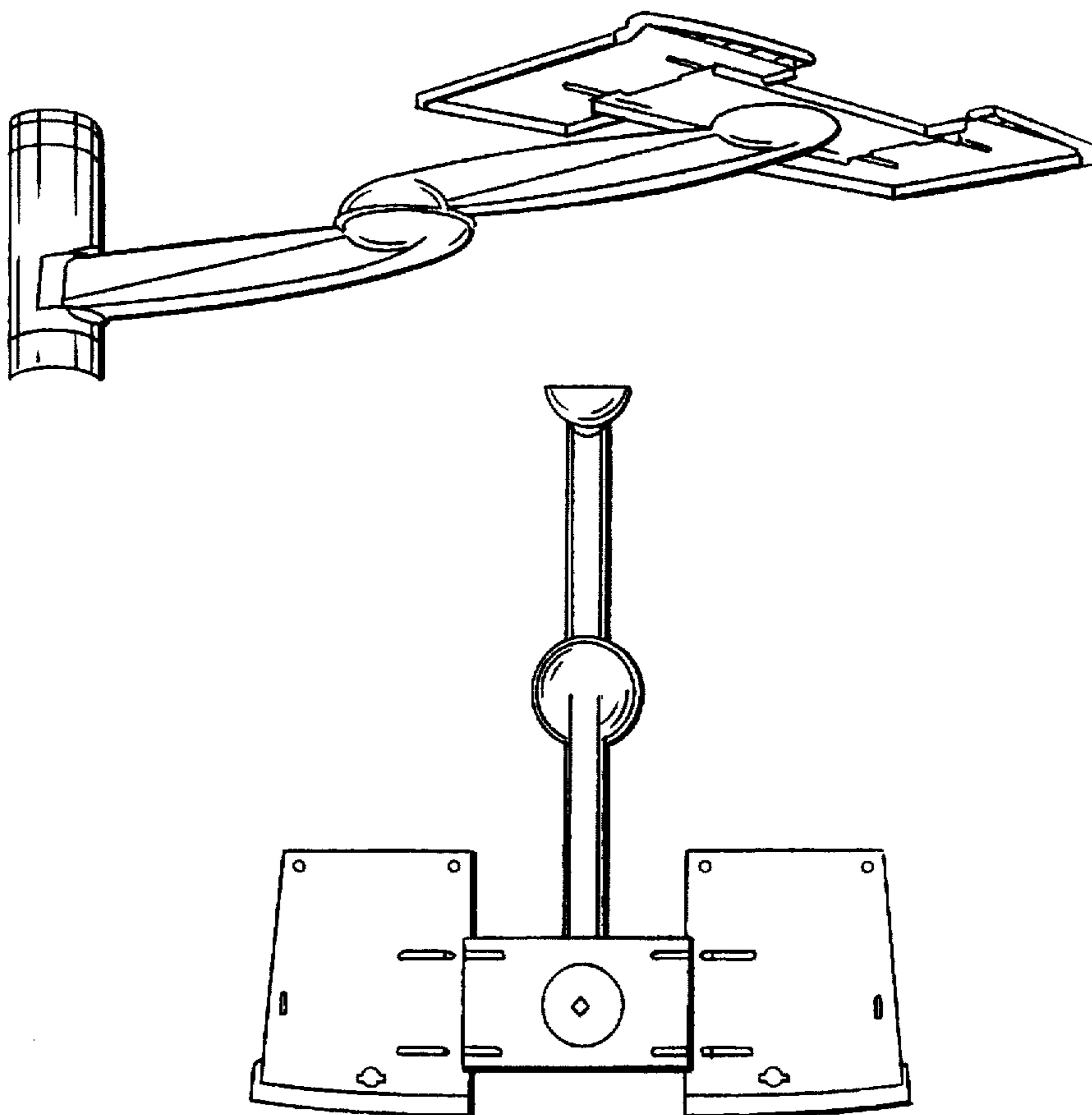
FIG. 3 is a rear elevational view thereof;

FIG. 4 is a front elevational view thereof;

FIG. 5 is a bottom plan view thereof; and,

FIG. 6 is a top plan view thereof.

1 Claim, 3 Drawing Sheets



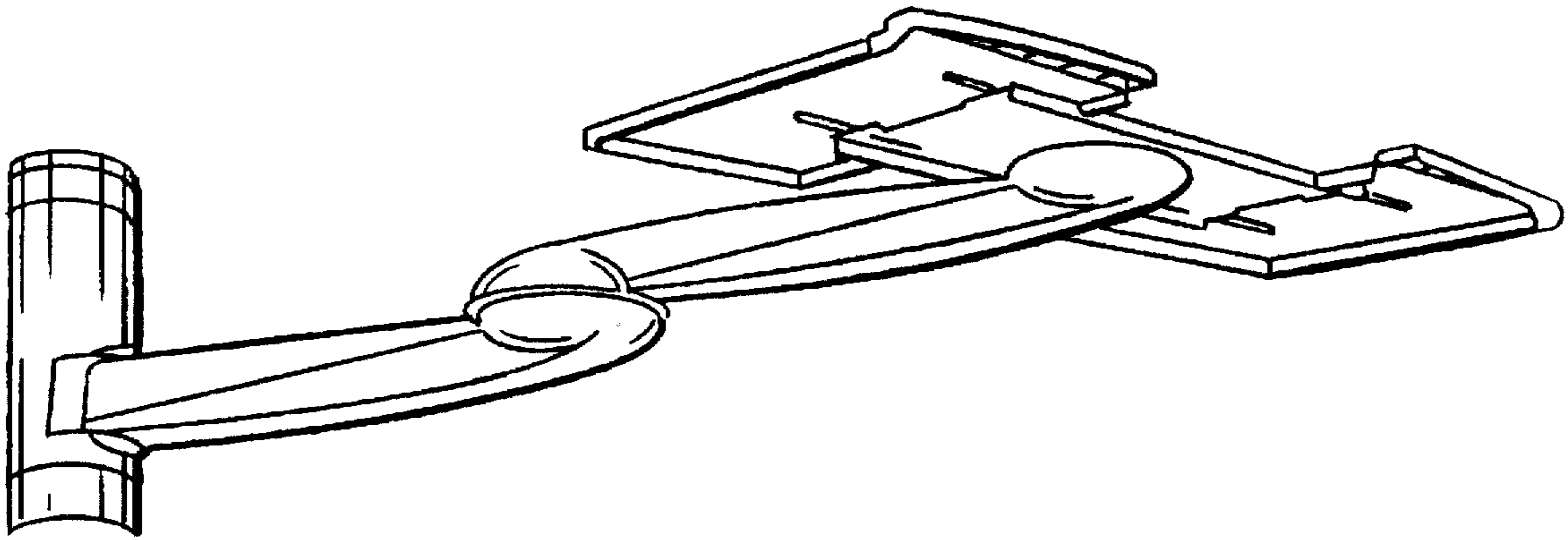


FIG. 1

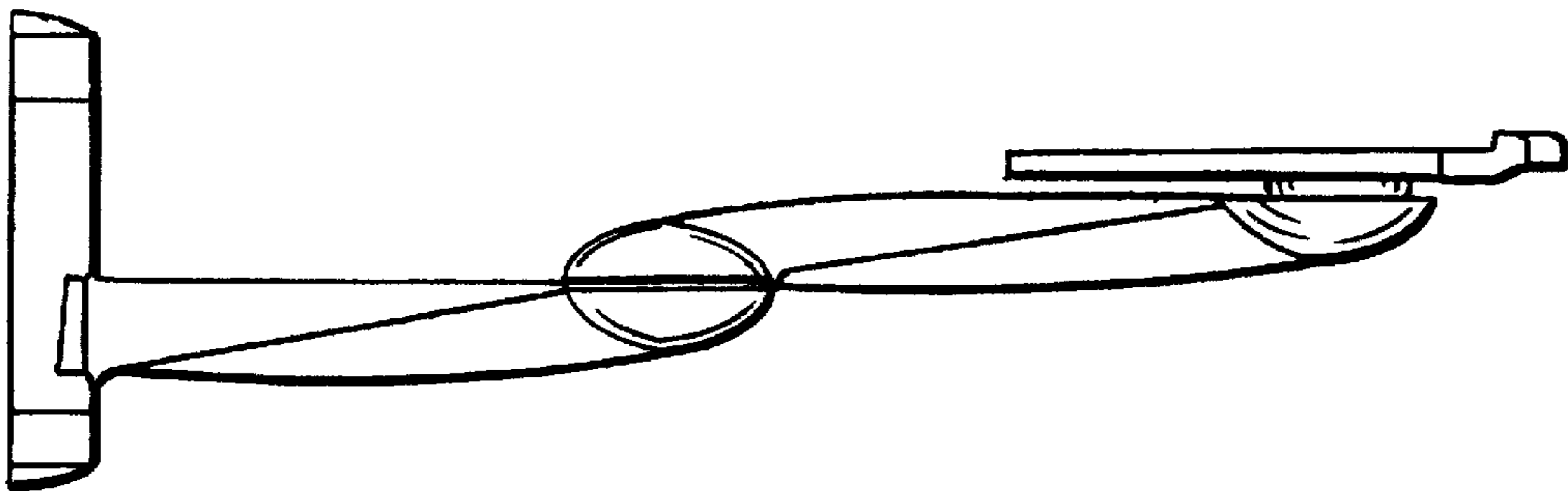


FIG. 2

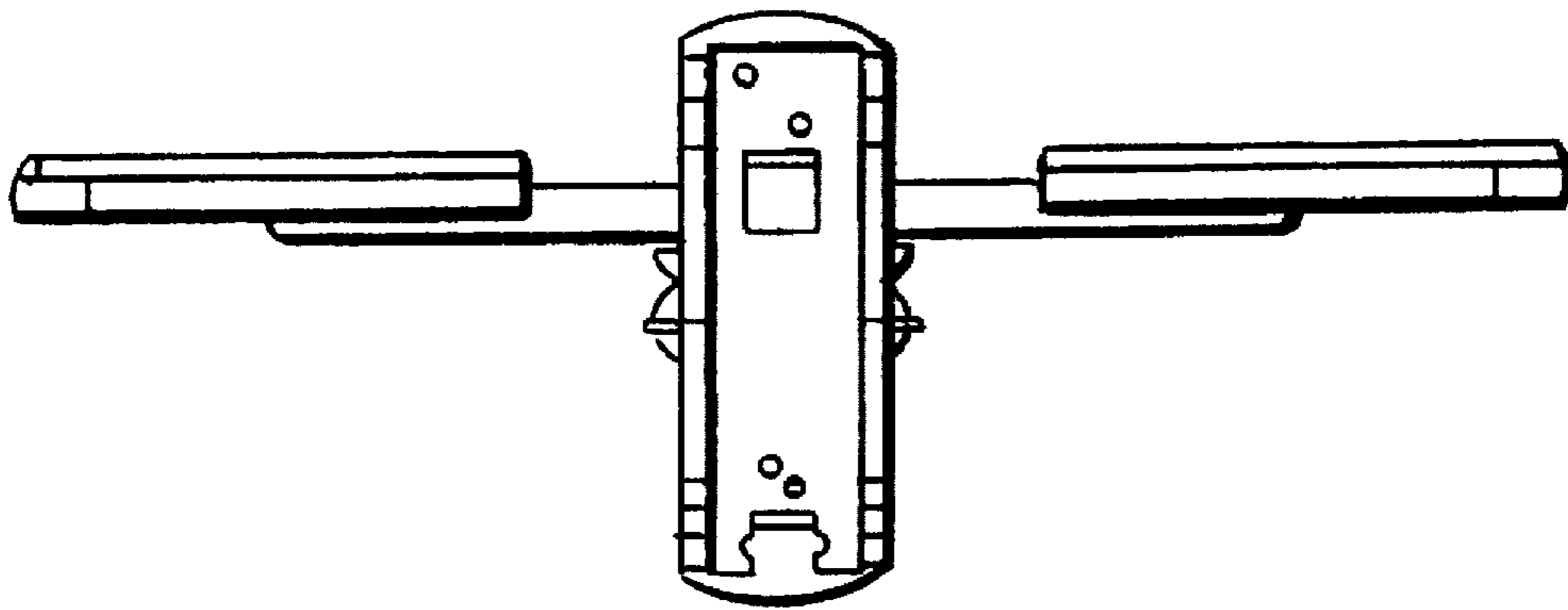


FIG. 3

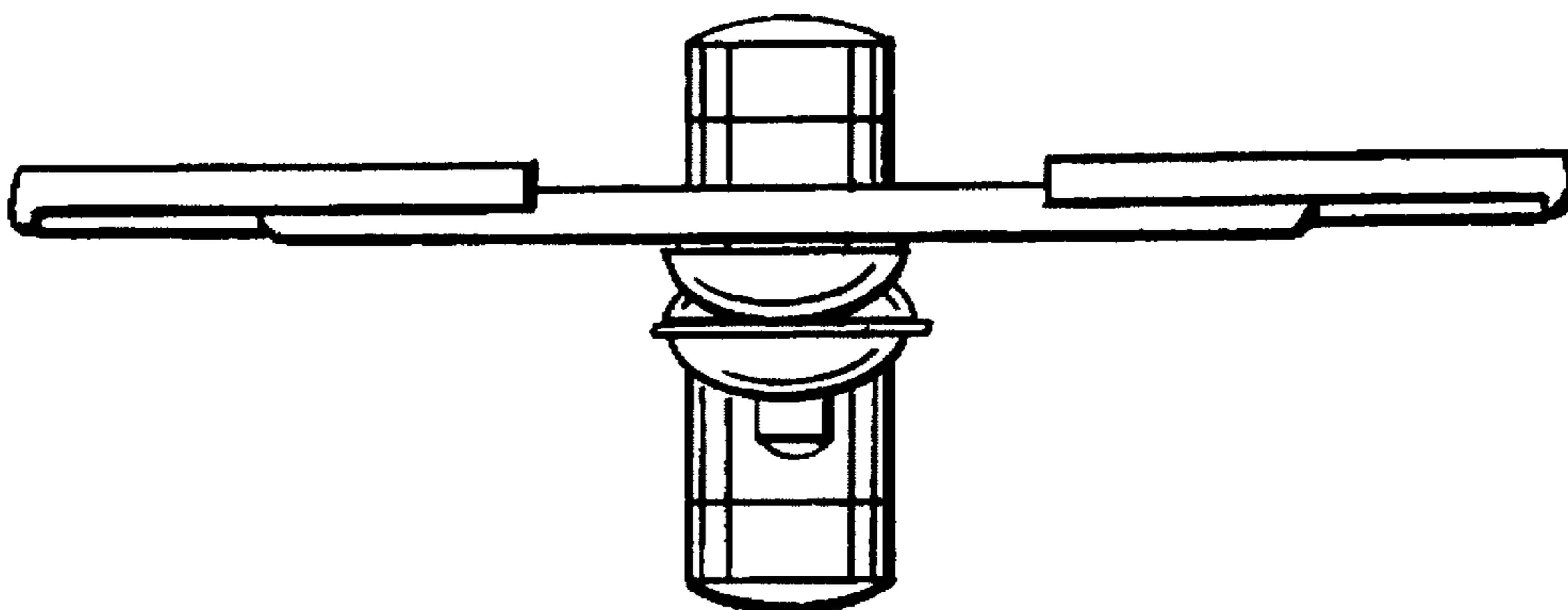


FIG. 4

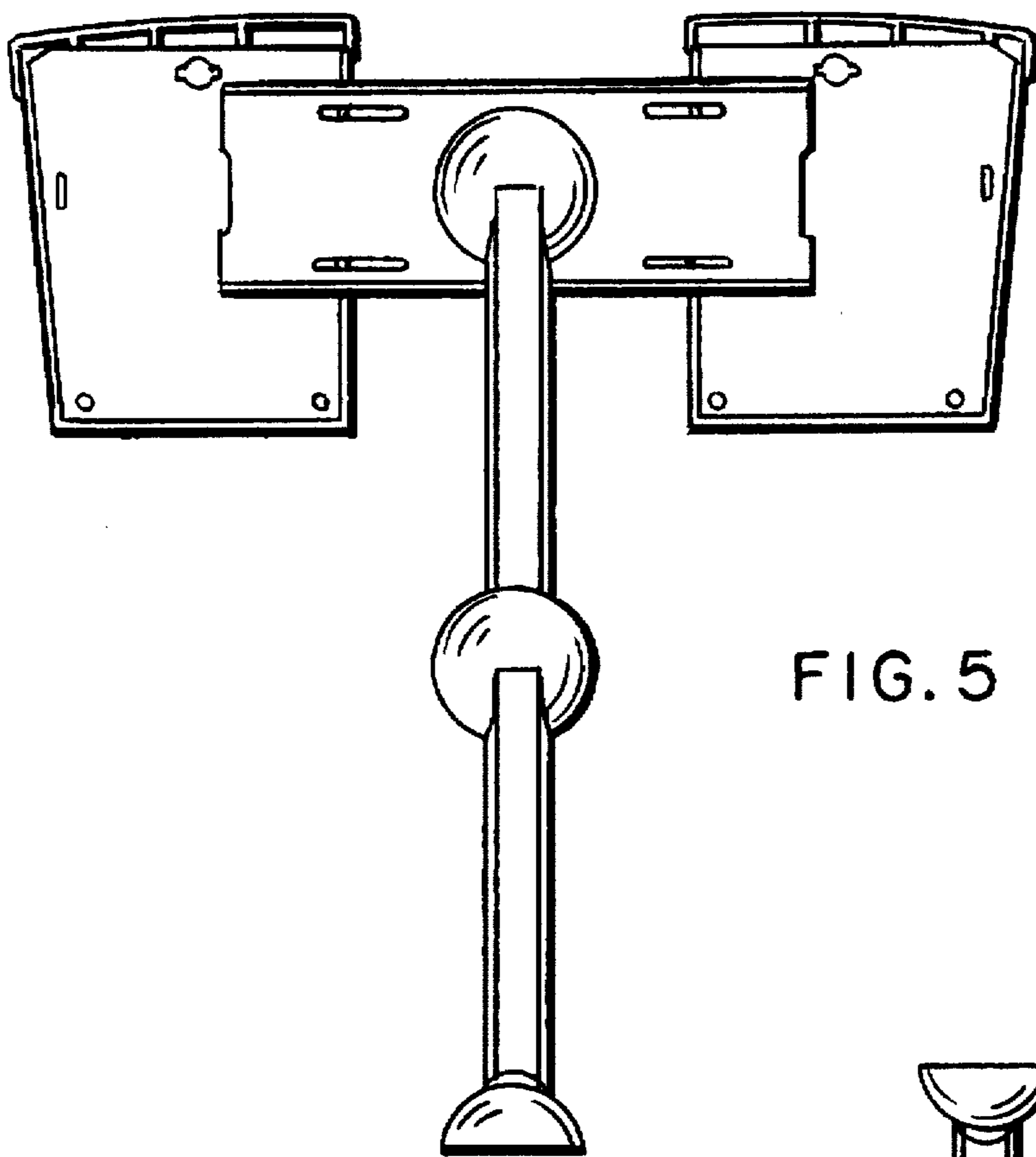


FIG. 5

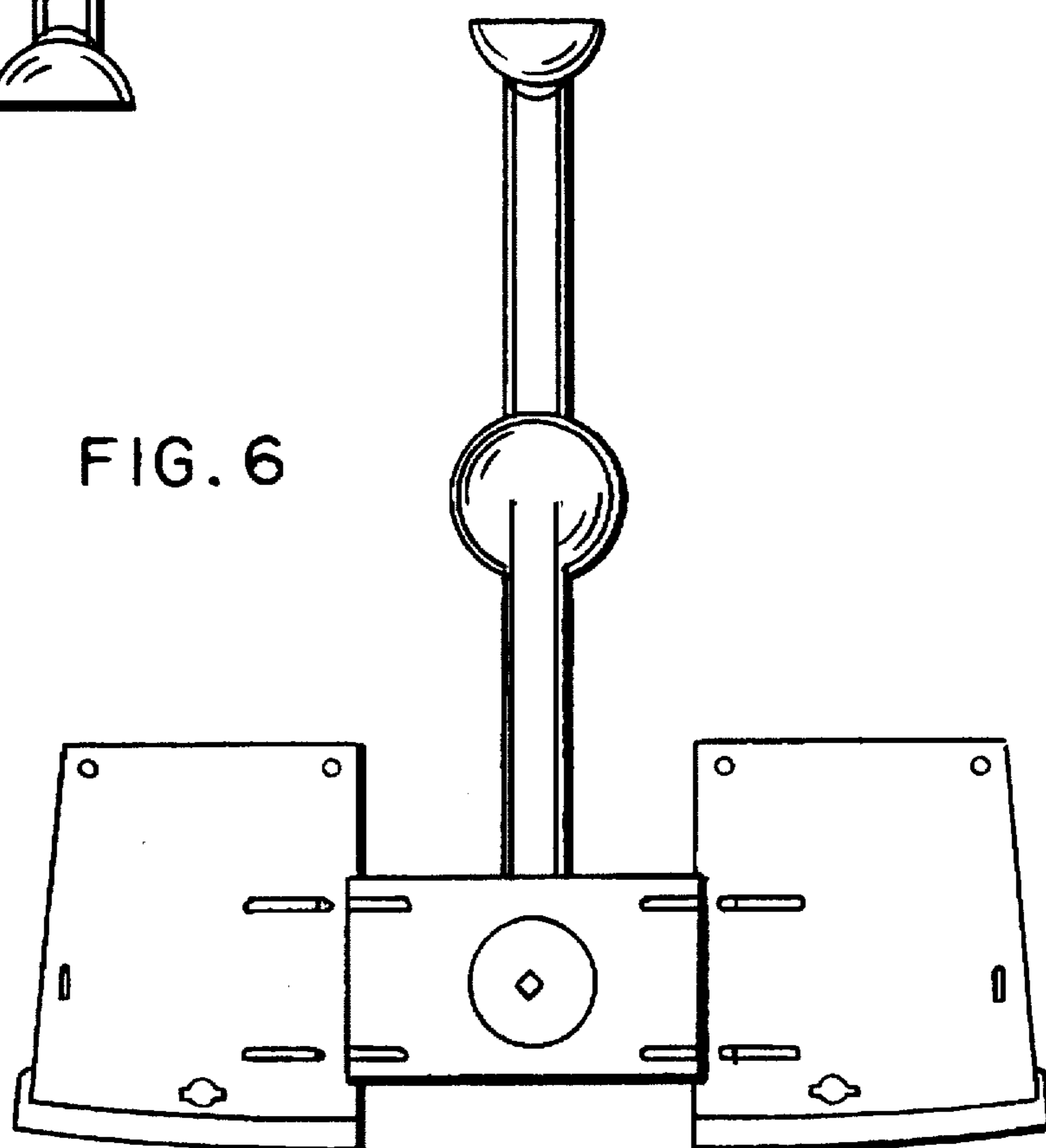


FIG. 6