

US00D387652S

United States Patent [19]

Carlson, Jr.

[11] Patent Number: Des. 387,652

[45] Date of Patent: **Dec. 16, 1997

[54] MULTI-LEVEL CABLE MANAGEMENT CLIP

[75] Inventor: Robert C. Carlson, Jr., Torrington, Conn.

[73] Assignee: The Siemon Company, Watertown, Conn.

[**] Term: 14 Years

[21] Appl. No.: 54,877

[22] Filed: May 23, 1996

[51] LOC (6) Cl. 08-05

[52] U.S. Cl. D8/356; D8/395

[58] Field of Search D8/356, 394-395; 248/68.1, 74.1-74.4; 24/336, 339

[56] References Cited

U.S. PATENT DOCUMENTS

D. 253,457	11/1979	Sandel	D8/395
D. 293,206	12/1987	Beaty et al.	D8/395
D. 363,211	10/1995	Noble	D8/395
3,136,515	6/1964	Potruch	248/68.1 X
3,173,987	3/1965	Potruch	248/68.1 X
4,407,472	10/1983	Beck	24/339 X

OTHER PUBLICATIONS

"FO-48 Fiberoptic Distribution Cabinet", Data Connections (Jan. 23, 1996).

"DCI Cable Installation Products . . . Simply the Best Data Connections", Data Connections (Jan. 23 1996) cable clip shown as item A on cover page.

Primary Examiner—Holly Baynham

Attorney, Agent, or Firm—Fishman, Dionne, Cantor & Colburn

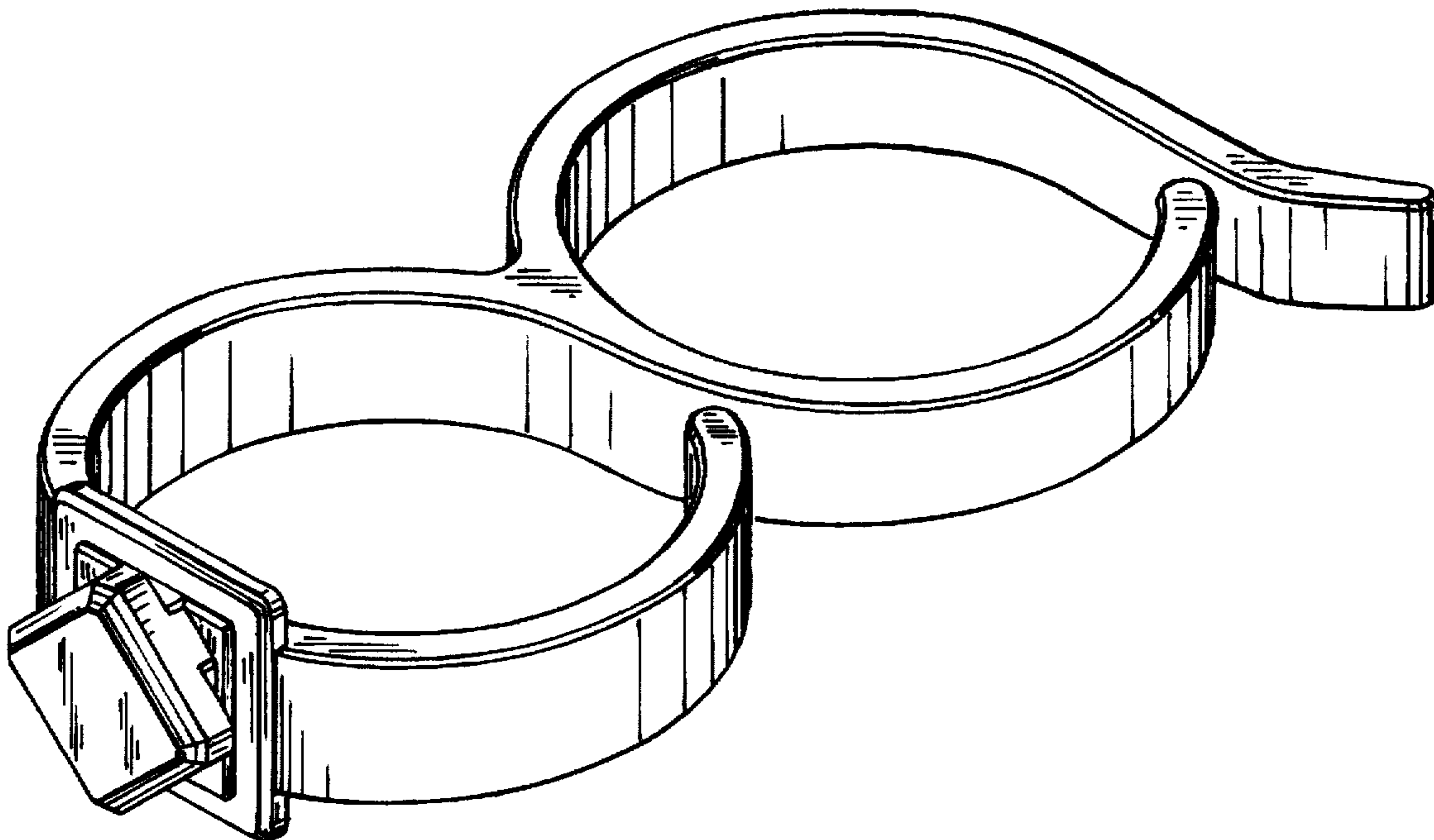
[57] CLAIM

The ornamental design for a multi-level cable management clip, as shown and described.

DESCRIPTION

FIG. 1 is a perspective view of a multi-level cable management clip in accordance with the present invention; FIG. 2 is a reduced front elevation view with the undisclosed rear view being a mirror image; FIG. 3 is a left side elevation view; FIG. 4 is a right side elevation view; FIG. 5 is a top plan view; and, FIG. 6 is a bottom plan view.

1 Claim, 1 Drawing Sheet



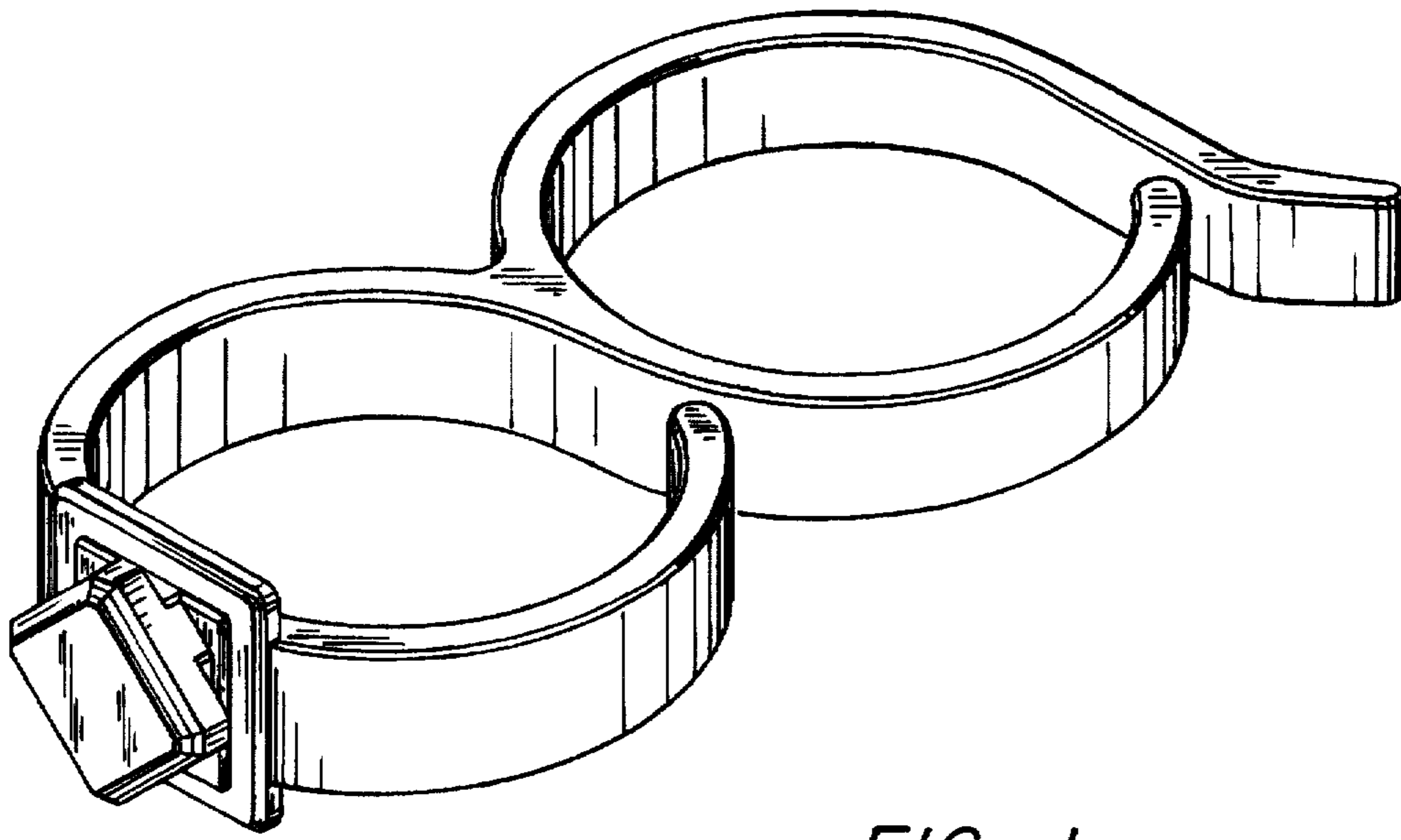


FIG. 1



FIG. 5



FIG. 3

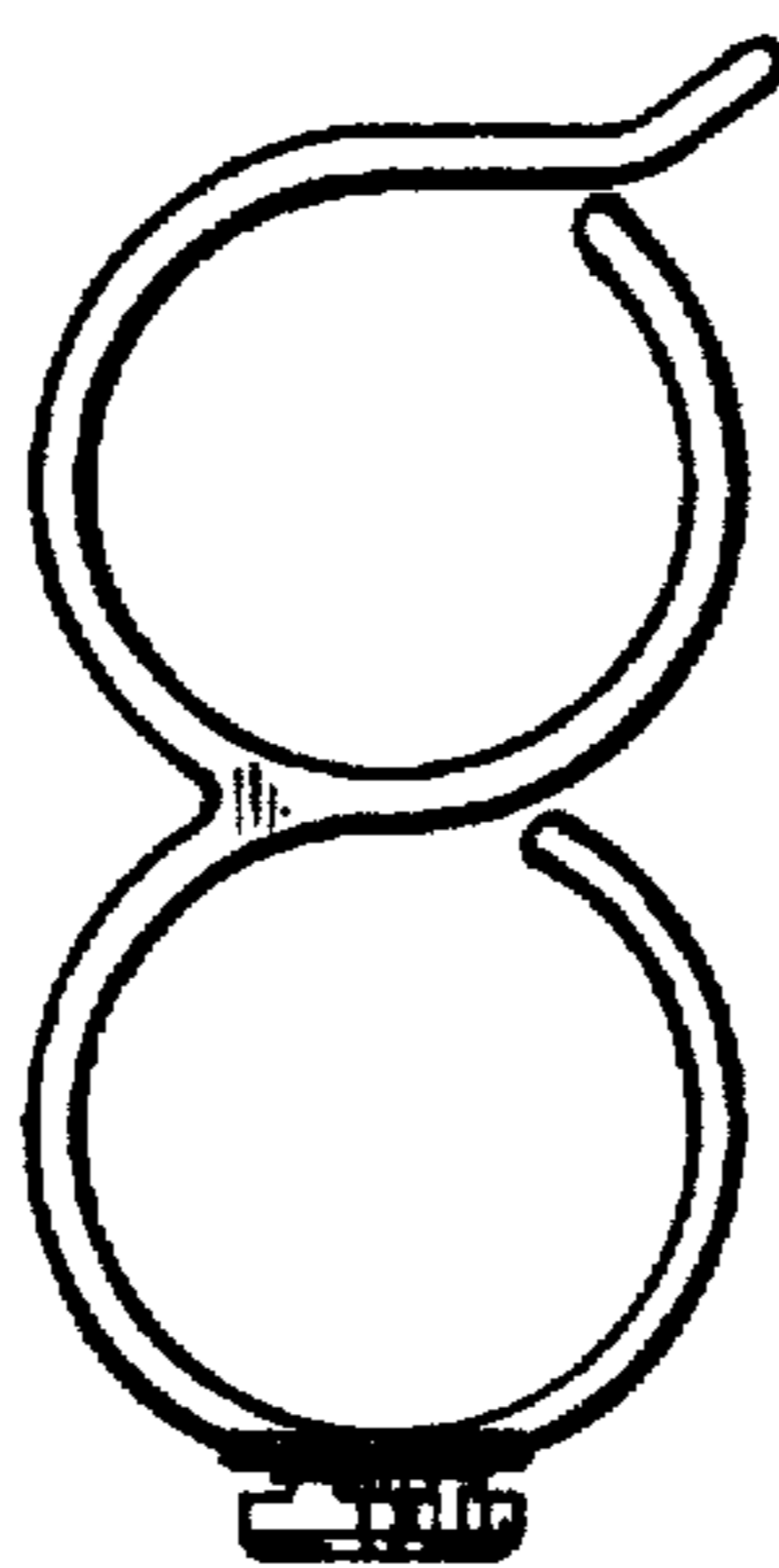


FIG. 2



FIG. 4



FIG. 6