



US00D387648S

# United States Patent [19] Liao

[11] Patent Number: **Des. 387,648**

[45] Date of Patent: **\*\*Dec. 16, 1997**

[54] PNEUMATIC TOOL

[76] Inventor: **Mei-Ling Liao**, No. 109, Hsin-Ren-Erh St., Ta-Li City, Taichung Hsien, Taiwan

[\*\*] Term: **14 Years**

[21] Appl. No.: **59,542**

[22] Filed: **Sep. 12, 1996**

[51] LOC (6) CL ..... **08-03**

[52] U.S. Cl. .... **D8/61; D8/68**

[58] Field of Search ..... D8/61, 68; 29/254; 81/3.2, 54, 57.11, 57.13; 173/13, 14, 17, 18, 30-32, 36, 162.1, 168, 169, 207, 211, 219, DIG. 2

[56] **References Cited**

**U.S. PATENT DOCUMENTS**

- D. 205,631 8/1966 Averitt et al. .... D8/68
- D. 327,620 7/1992 Fisher ..... D8/68

- 3,430,710 3/1969 Coss ..... 173/169
- 4,310,056 1/1982 Olsson ..... 173/169
- 5,591,070 1/1997 Kachich ..... 173/219 X

*Primary Examiner*—Antoine Duval Davis  
*Attorney, Agent, or Firm*—Charles E. Wands

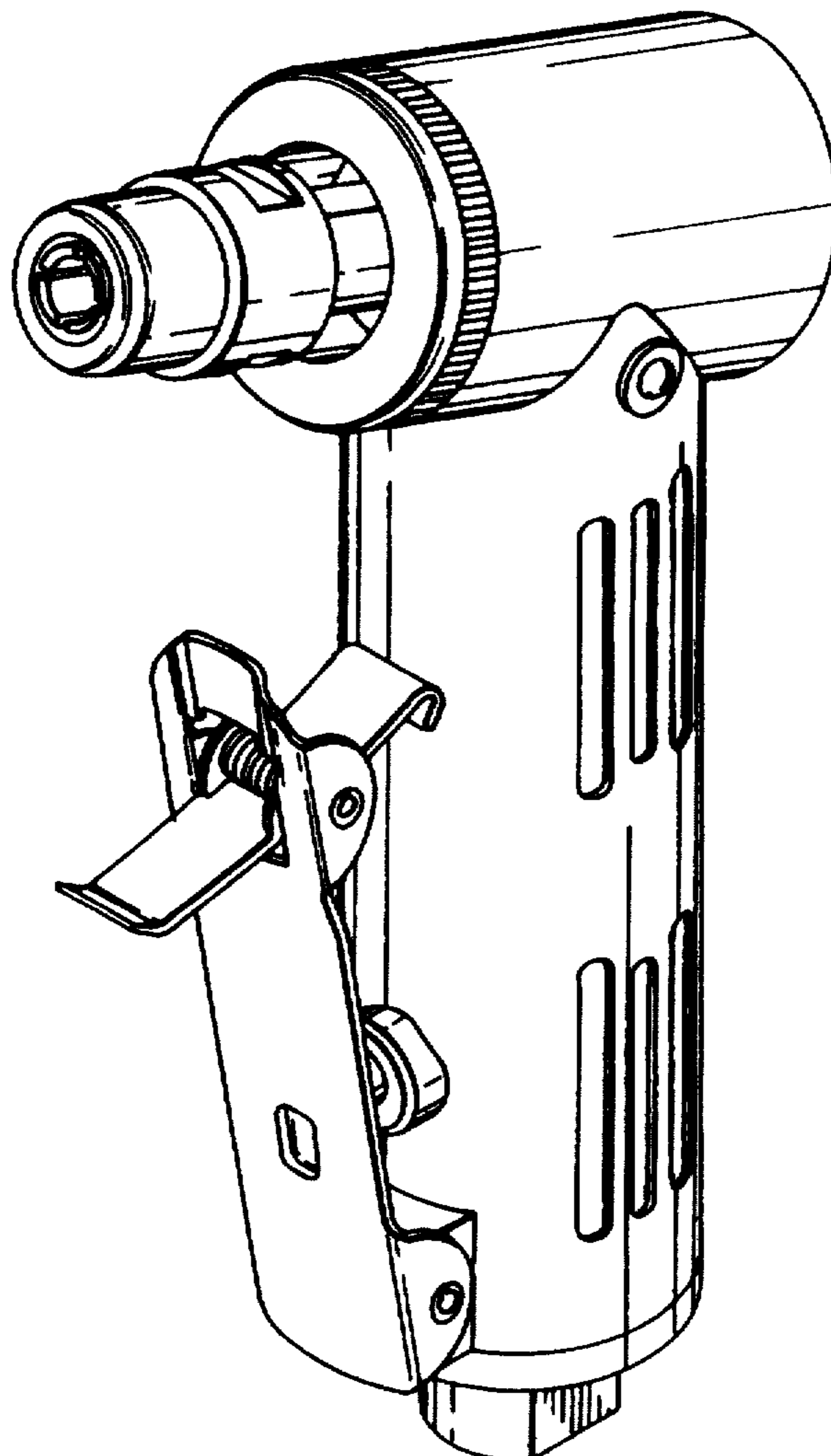
[57] **CLAIM**

The ornamental design for pneumatic tool, as shown and described.

**DESCRIPTION**

FIG. 1 is a perspective view of pneumatic tool showing my new design;  
FIG. 2 is a front elevational view thereof;  
FIG. 3 is a rear elevational view thereof;  
FIG. 4 is a left side elevational view thereof;  
FIG. 5 is a right side elevational view thereof;  
FIG. 6 is a top plan view thereof; and,  
FIG. 7 is a bottom plan view thereof.

**1 Claim, 3 Drawing Sheets**



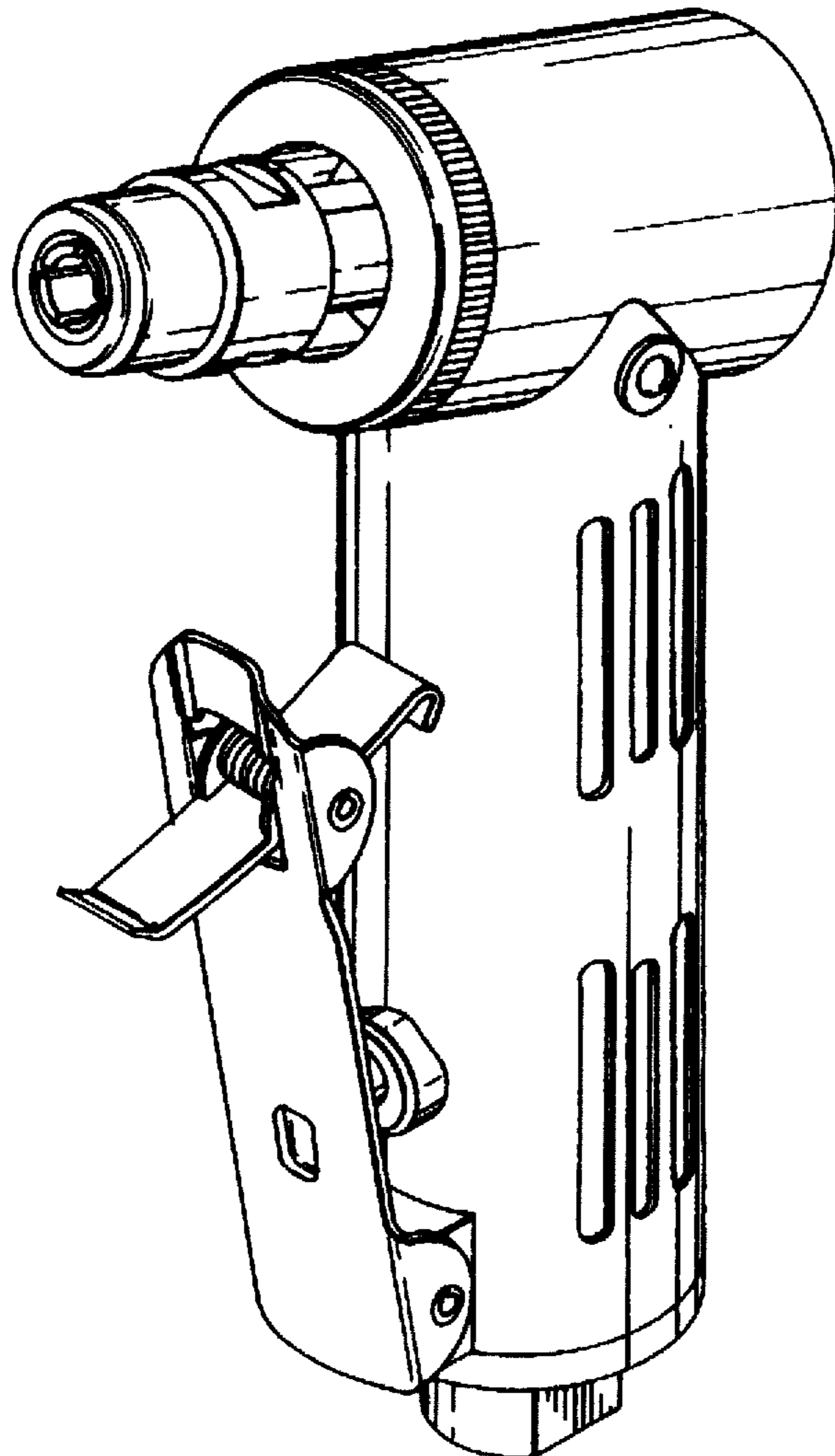


FIG. 1

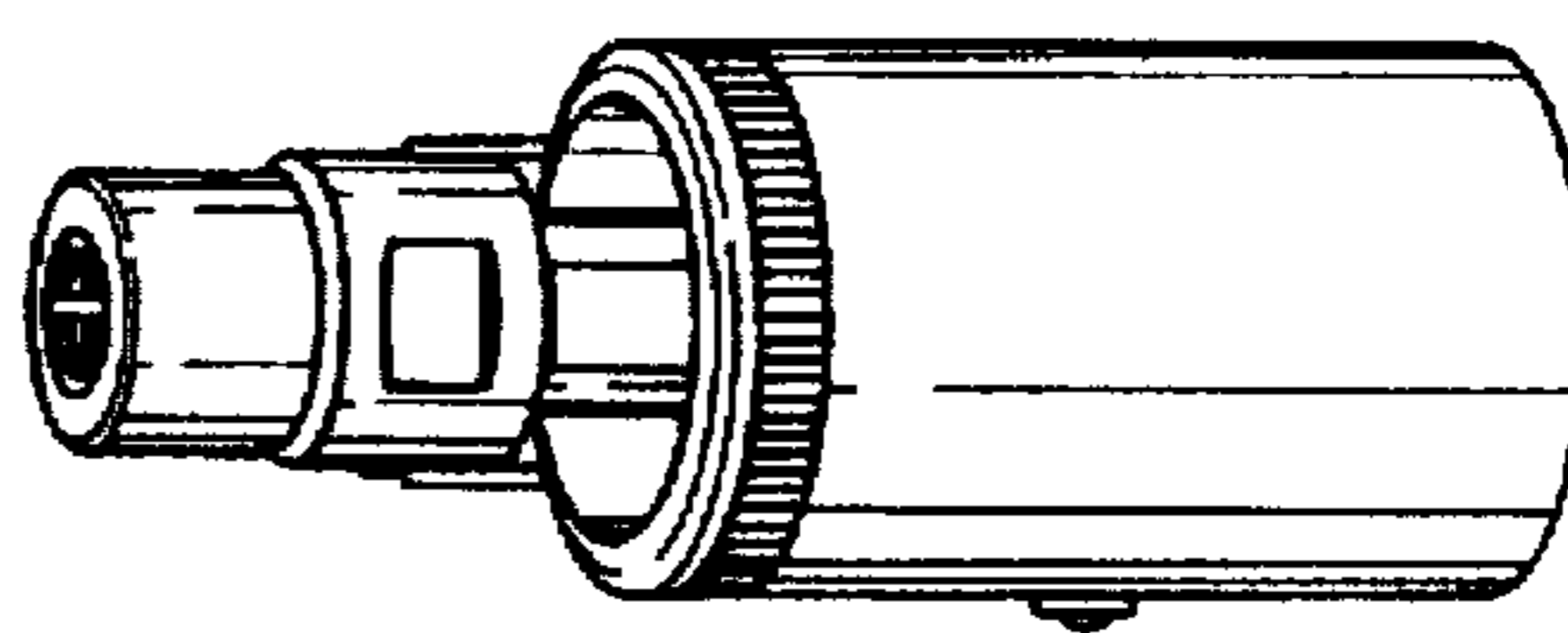


FIG. 6

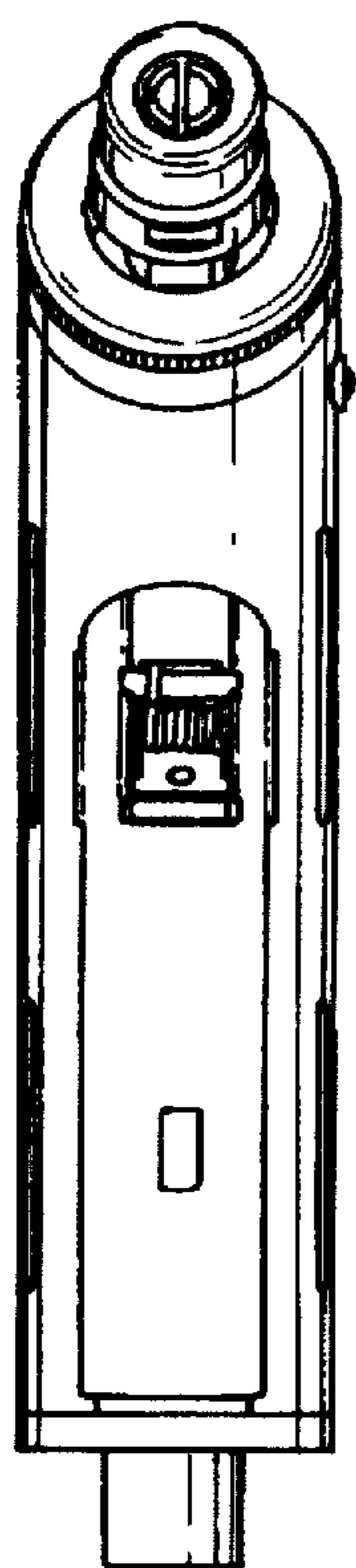


FIG. 4

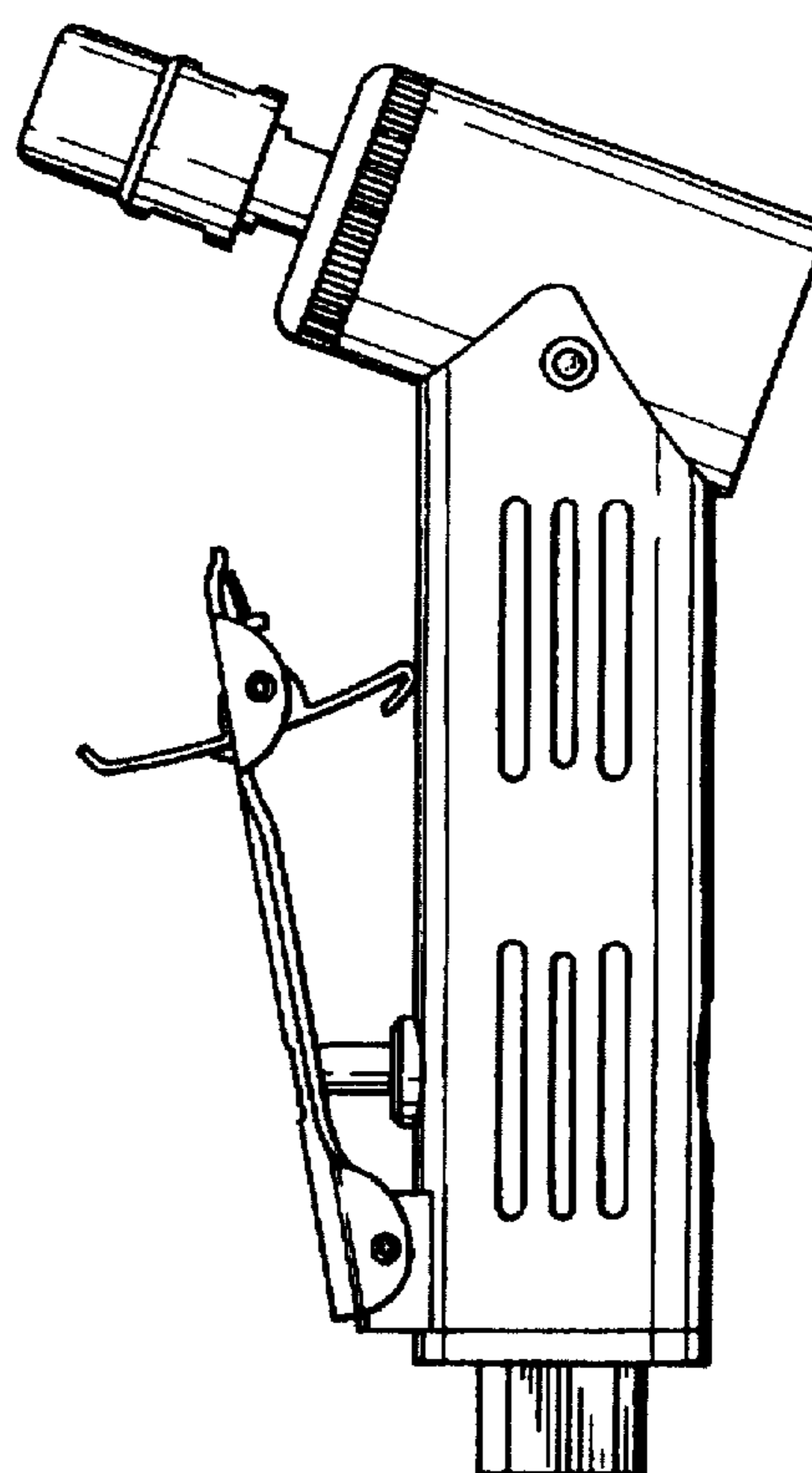


FIG. 2

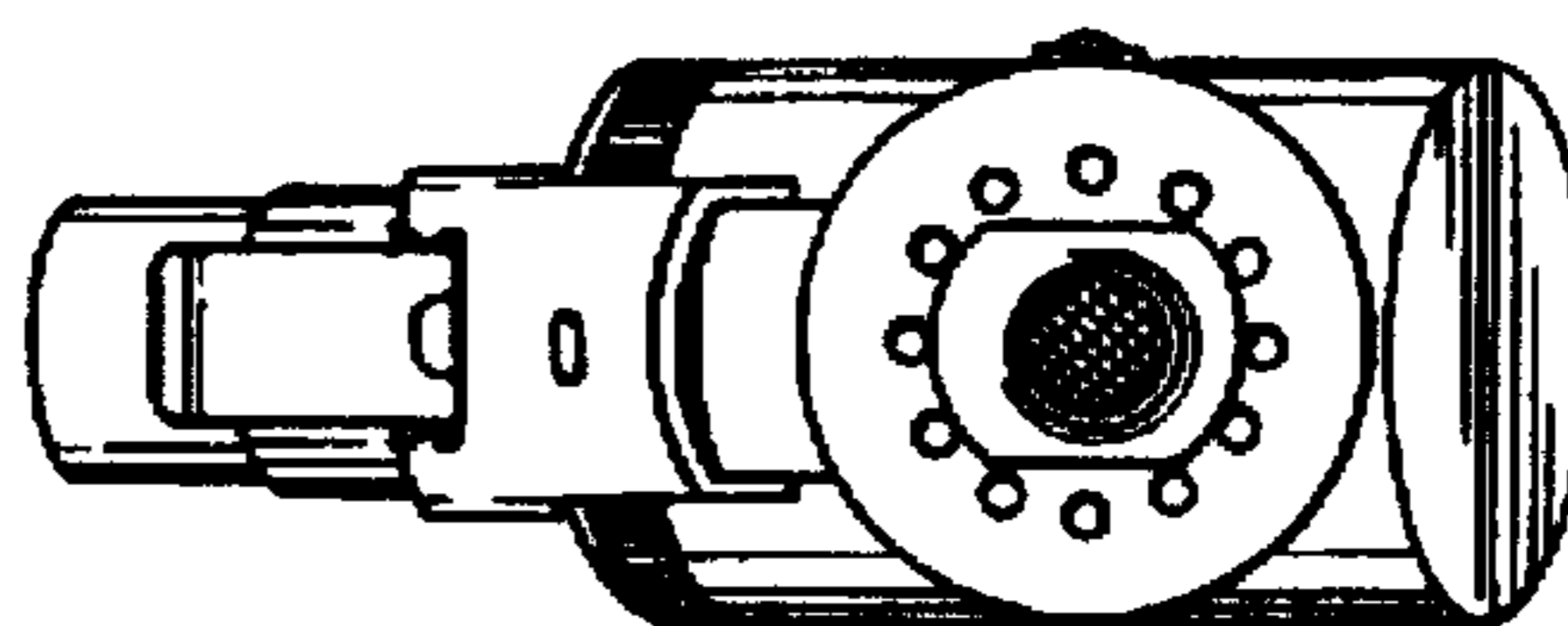


FIG. 7

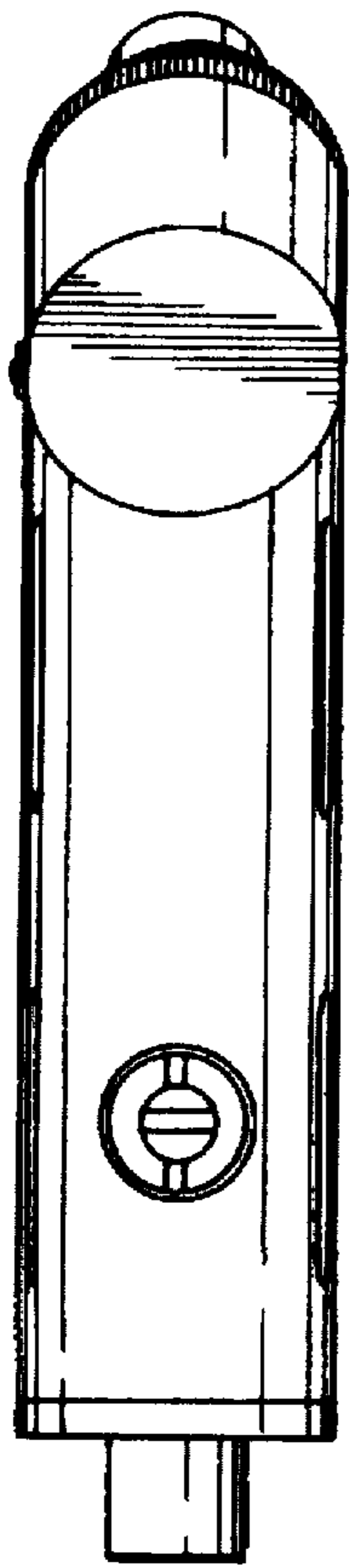


FIG. 5

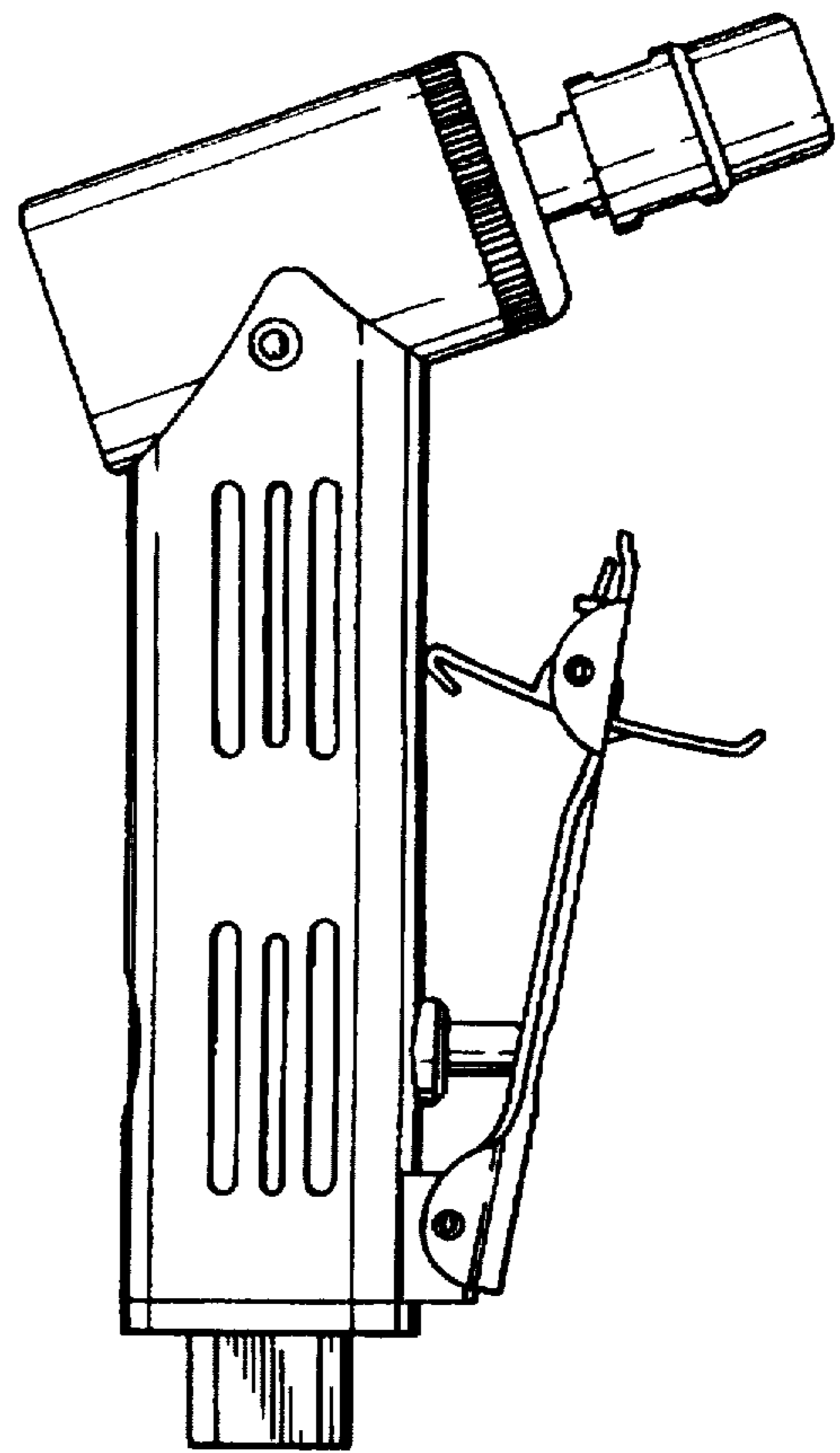


FIG. 3