



US00D387646S

# United States Patent [19] Arns

[11] Patent Number: **Des. 387,646**

[45] Date of Patent: **\*\*Dec. 16, 1997**

[54] **STAPLER**

[75] Inventor: **Stefan Arns, Stenkullen, Sweden**

[73] Assignee: **Isaberg AB, Hestra, Sweden**

[\*\*] Term: **14 Years**

[21] Appl. No.: **62,614**

[22] Filed: **Nov. 20, 1996**

[30] **Foreign Application Priority Data**

May 22, 1996 [GB] United Kingdom ..... 2056481

[51] LOC (6) Cl. .... **19-02**

[52] U.S. Cl. .... **D8/50**

[58] Field of Search ..... D8/49, 50, 61,  
D8/69; D19/72; 227/120, 127, 128, 132,  
134, 156

[56] **References Cited**

**U.S. PATENT DOCUMENTS**

D. 244,253 5/1977 Power et al. .... D8/50

D. 275,259 8/1984 Rosenblad ..... D8/50  
D. 330,317 10/1992 Jacober et al. .... D8/50  
4,727,610 3/1988 Lin ..... 227/156

**OTHER PUBLICATIONS**

Jacob Gardner CTALOG, p. 674 (Compact stapler, Item E) 1988.

*Primary Examiner*—Philip S. Hyder  
*Assistant Examiner*—Adir Aronovich  
*Attorney, Agent, or Firm*—Shapiro and Shapiro

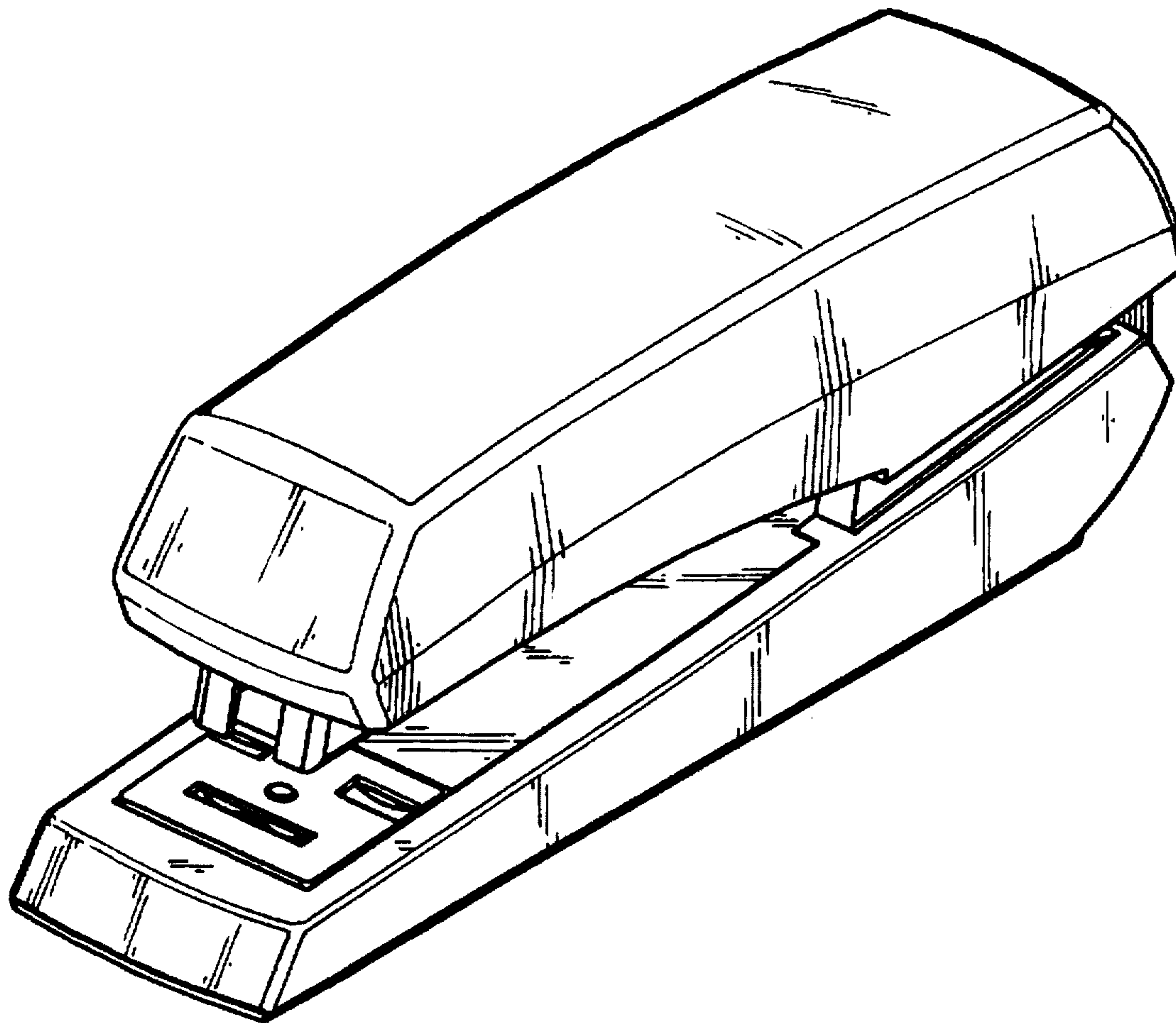
[57] **CLAIM**

The ornamental design for a stapler, as shown.

**DESCRIPTION**

FIG. 1 is a perspective view showing the top, the left side and the front of the stapler according to the invention; FIG. 2 is a perspective view showing the bottom, the left side and the rear side of the stapler; and, FIG. 3 shows the stapler from the right.

**1 Claim, 3 Drawing Sheets**



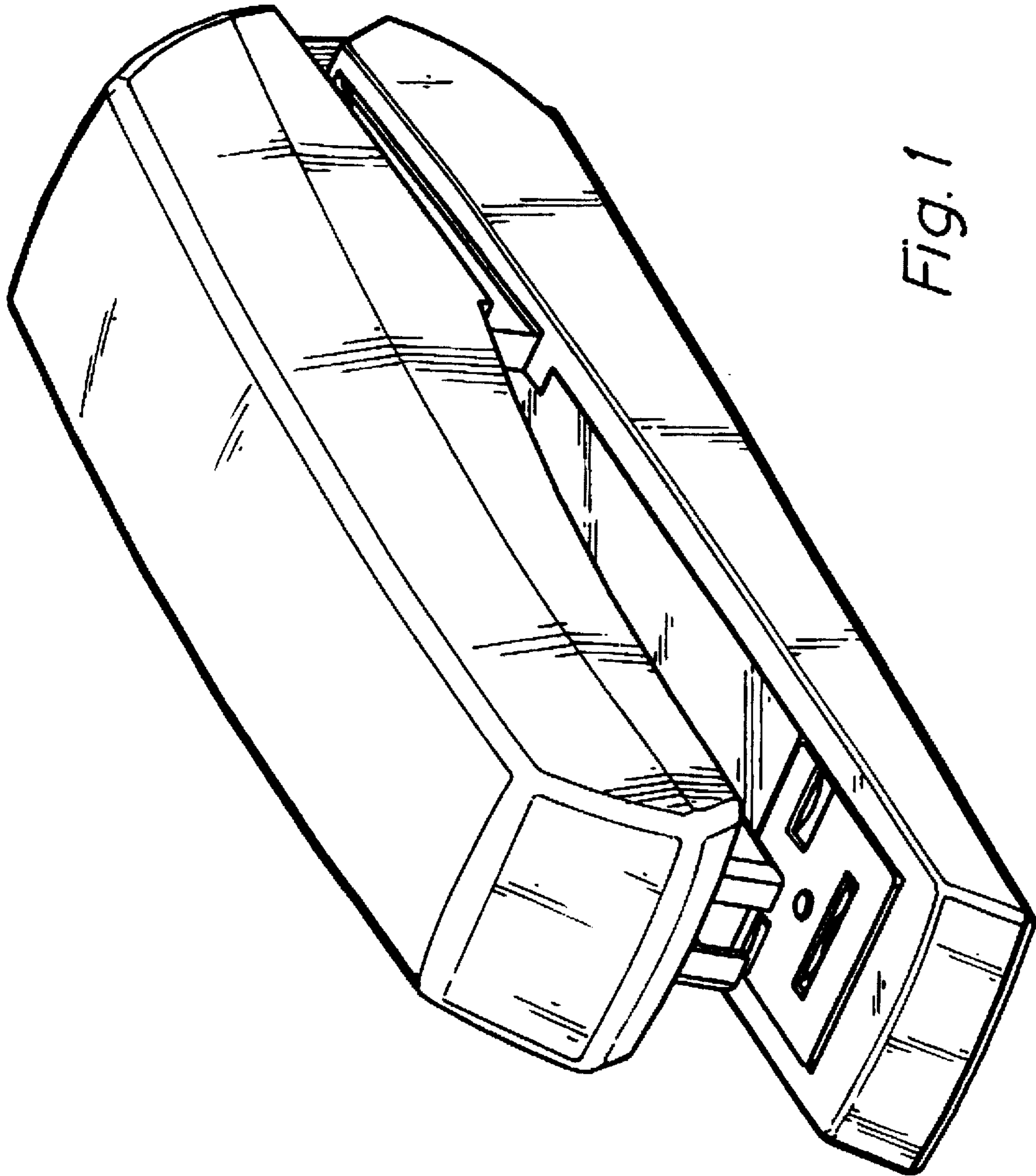


Fig. 1

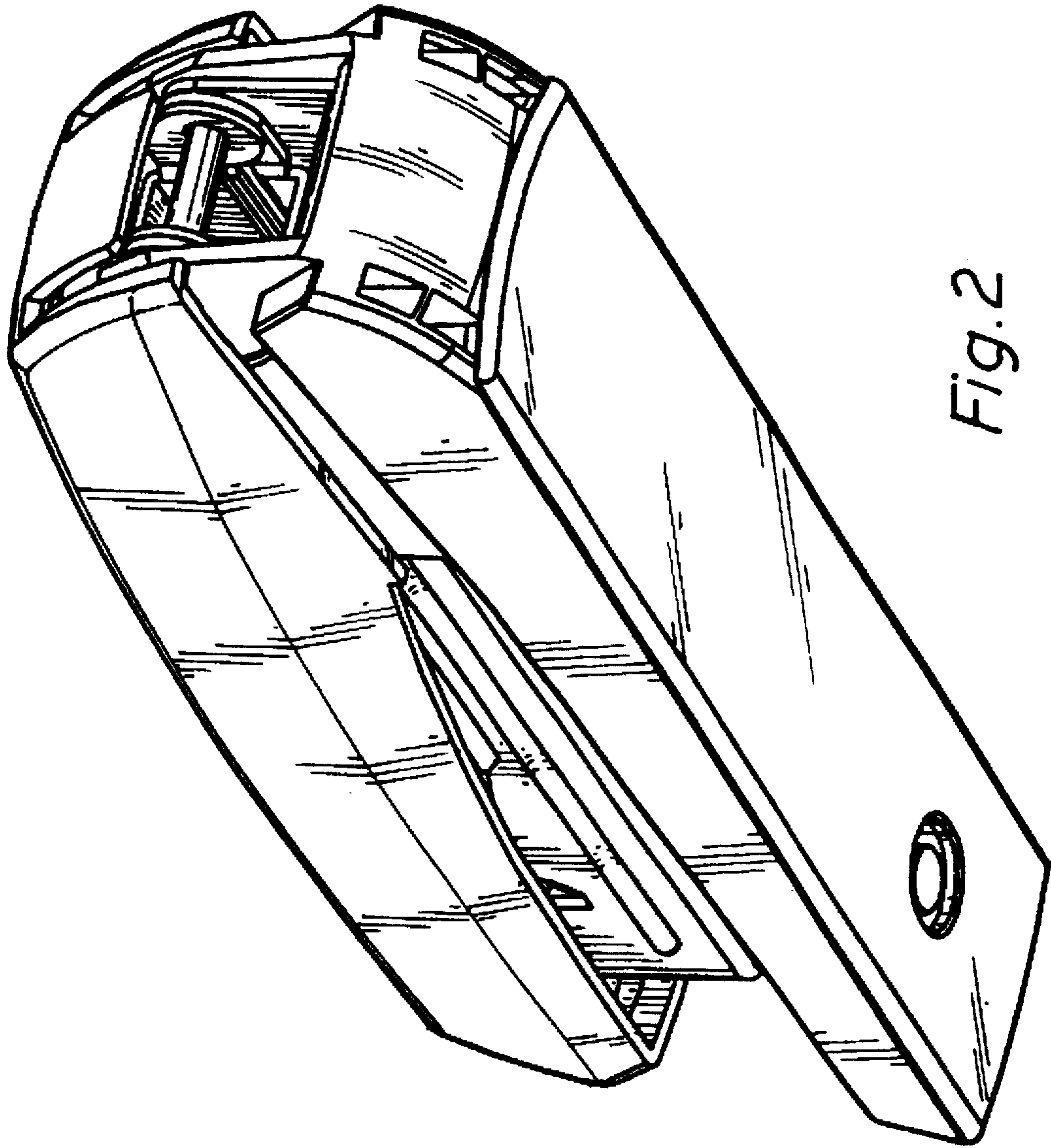


Fig. 2

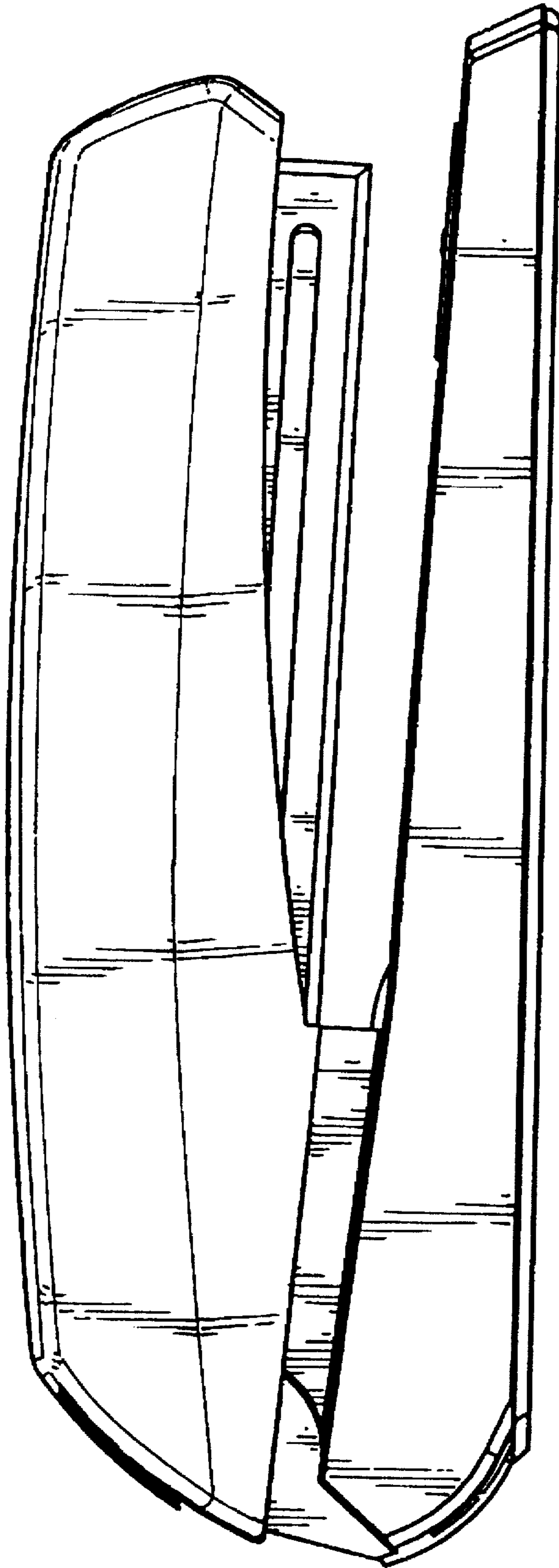


Fig. 3