



US00D387645S

United States Patent [19]
Kazimir

[11] **Patent Number: Des. 387,645**

[45] **Date of Patent: **Dec. 16, 1997**

[54] **JAR OPENING DEVICE**

D. 293,199 12/1987 Grenley D8/18
2,559,560 7/1951 Larson D8/18 X

[76] **Inventor: Donald J. Kazimir, 106 Gulfstream Rd., North Palm Beach, Fla. 33408**

Primary Examiner—Caron D. Veynar

[**] **Term: 14 Years**

[57] **CLAIM**

The ornamental design for a jar opening device, as shown and described.

[21] **Appl. No.: 62,284**

[22] **Filed: Nov. 12, 1996**

DESCRIPTION

[51] **LOC (6) Cl. 07-99**

[52] **U.S. Cl. D8/40; D8/33**

[58] **Field of Search D8/18, 19, 33-43;
7/151-156; 30/400-404, 448; 81/3.07, 3.27,
3.55**

FIG. 1 is a perspective view of a jar opening device taken from the bottom, showing my new design;

FIG. 2 is a top view thereof;

FIG. 3 is a bottom view thereof;

FIG. 4 is a side view thereof taken from the left side of FIG. 2;

FIG. 5 is a side view taken from the right side of FIG. 2;

FIG. 6 is a front end view thereof; and,

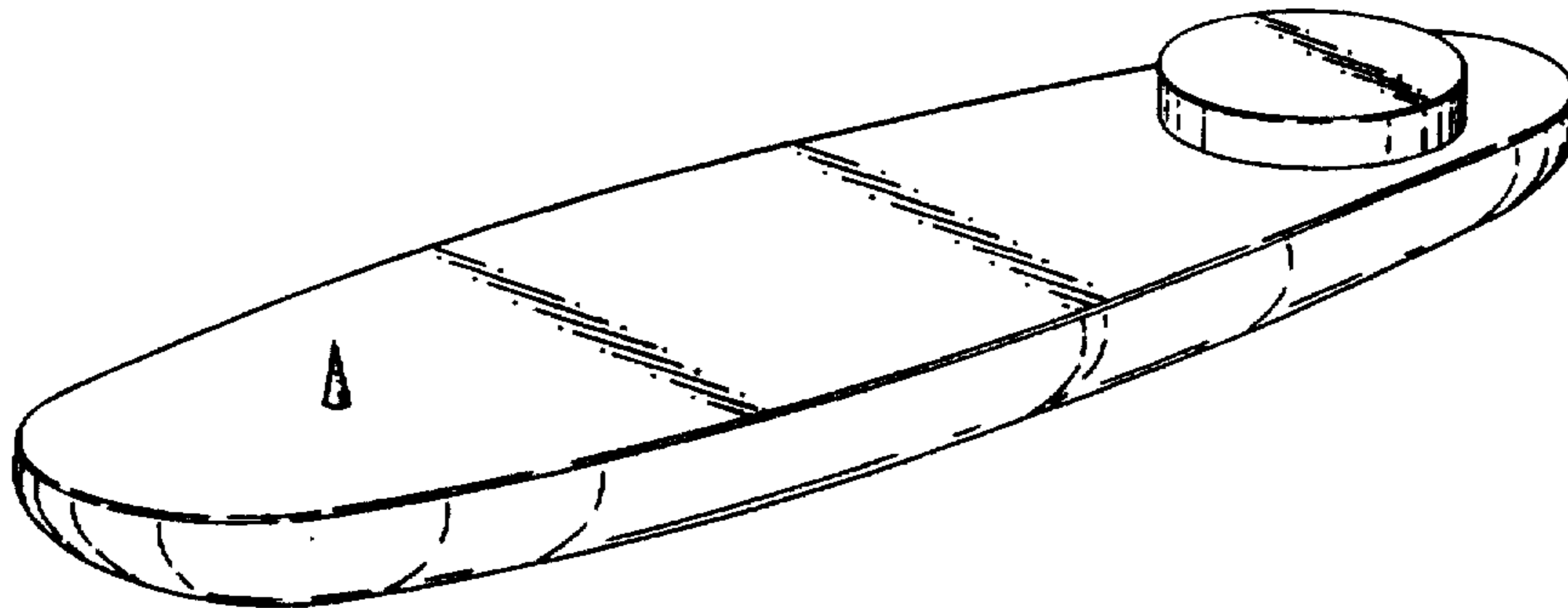
FIG. 7 is a rear end view thereof.

[56] **References Cited**

U.S. PATENT DOCUMENTS

D. 274,688 7/1984 Escalante D8/40

1 Claim, 1 Drawing Sheet



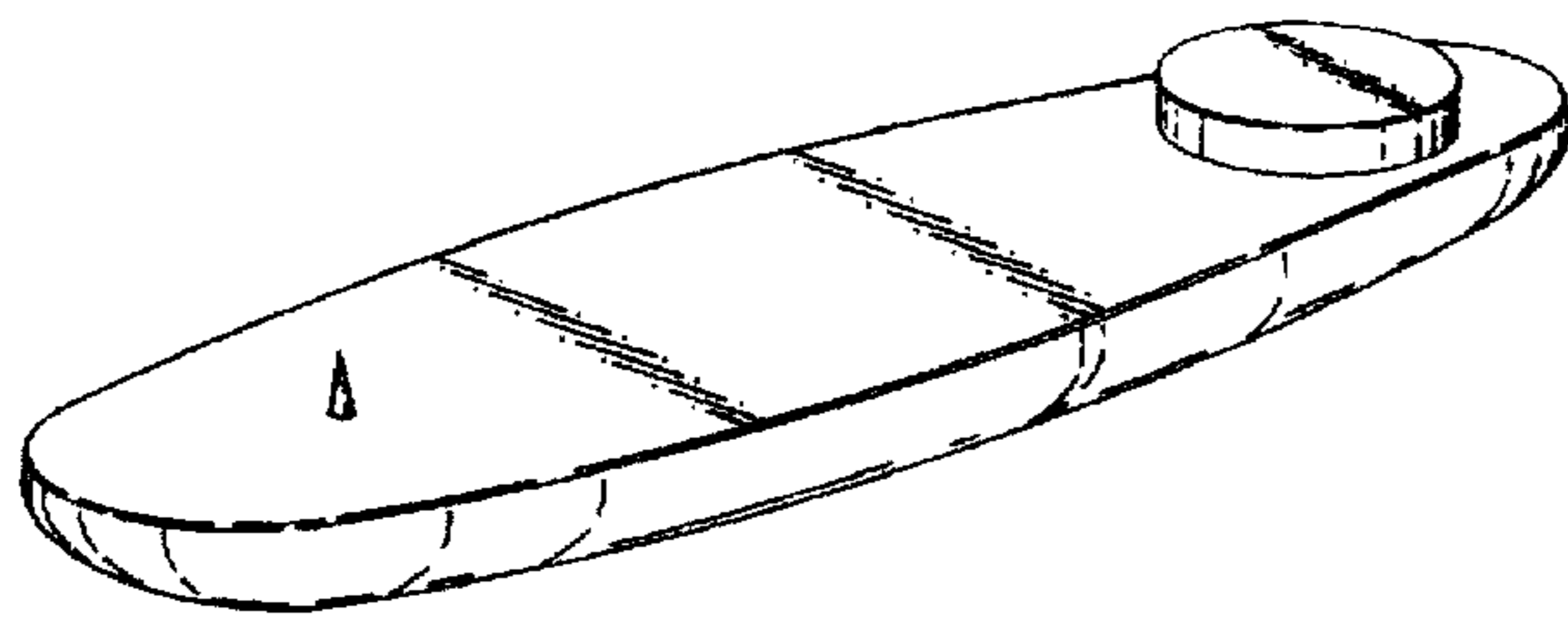


FIG. 1

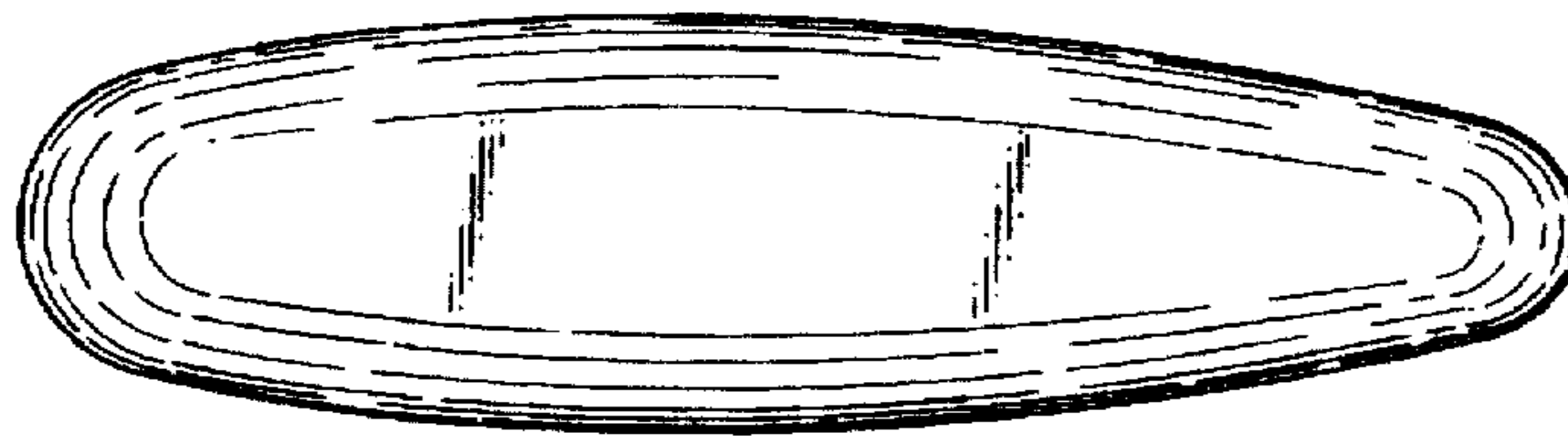


FIG. 2

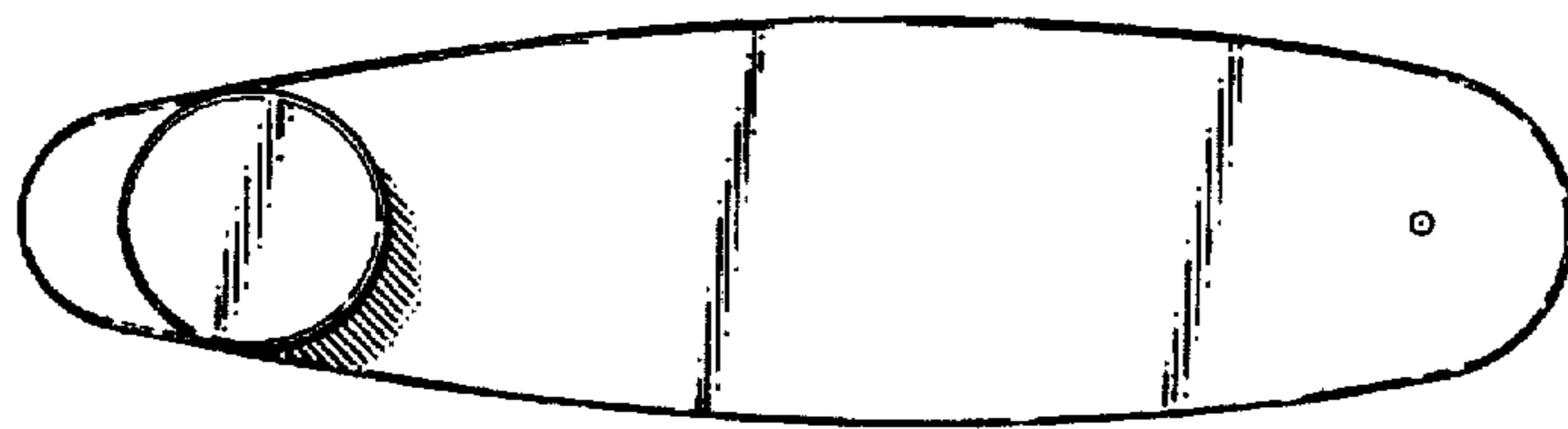


FIG. 3

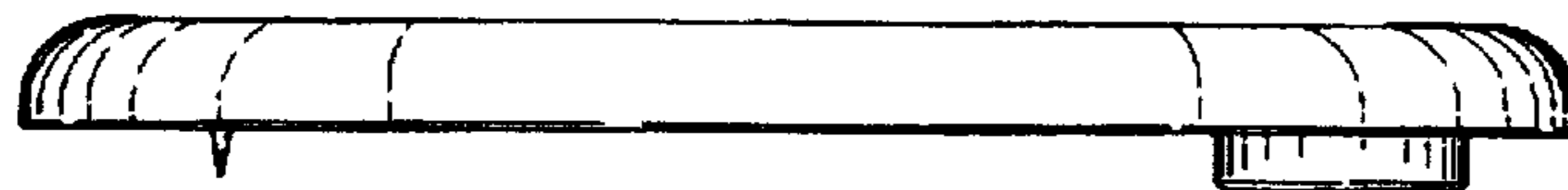


FIG. 4

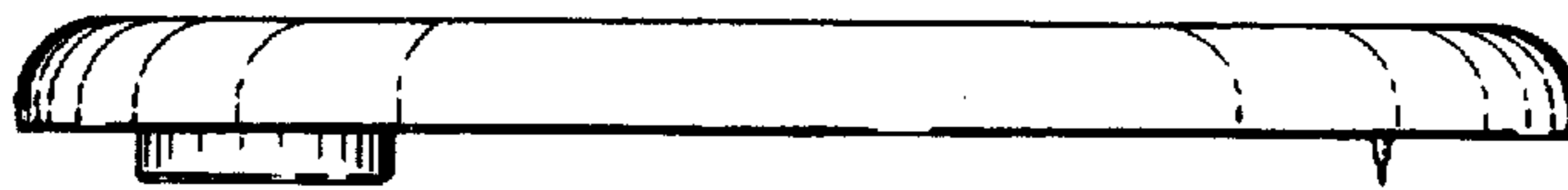


FIG. 5



FIG. 6



FIG. 7