



US00D387639S

**United States Patent** [19]  
**Calvan**

[11] **Patent Number: Des. 387,639**

[45] **Date of Patent: \*\*Dec. 16, 1997**

[54] **PVC PLUG REMOVER**

3,504,420 4/1970 Shores ..... 29/235  
4,745,671 5/1988 Shannon ..... 29/254

[76] **Inventor: Lonnie H. Calvan, 1421 Linden St., Indianapolis, Ind. 46203**

*Primary Examiner*—Prabhakar G. Deshmukh  
*Assistant Examiner*—Richelle Shelton  
*Attorney, Agent, or Firm*—Harold H. Dutton, Jr.

[\*\*] **Term: 14 Years**

[57] **CLAIM**

[21] **Appl. No.: 58,531**

The ornamental design for a PVC plug remover, as shown.

[22] **Filed: Aug. 16, 1996**

**DESCRIPTION**

[51] **LOC (6) CL ..... 08-05**

FIG. 1 is a perspective view of a PVC plug remover showing my new design;

[52] **U.S. Cl. .... D8/14; D23/260**

FIG. 2 is a left side view thereof;

[58] **Field of Search ..... D8/14, 21, 22; D23/259-261; 29/235, 254, 278, 280, 282**

FIG. 3 is a right side view thereof;

FIG. 4 is a top view thereof;

FIG. 5 is a bottom view thereof;

FIG. 6 is a front view thereof; and,

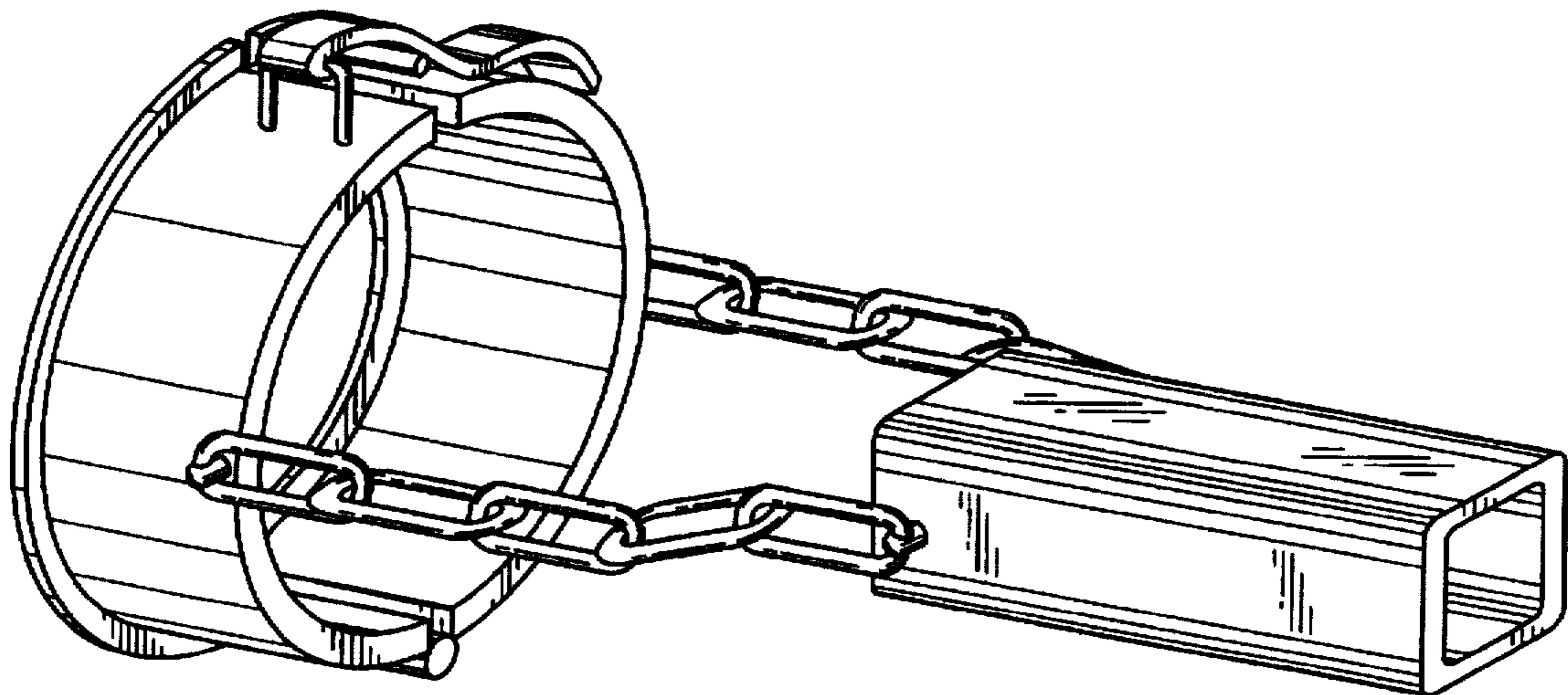
FIG. 7 is a rear view thereof.

[56] **References Cited**

**U.S. PATENT DOCUMENTS**

D. 369,077 4/1996 Batista ..... D8/22  
1,562,615 11/1925 Brochu ..... 29/235

**1 Claim, 4 Drawing Sheets**



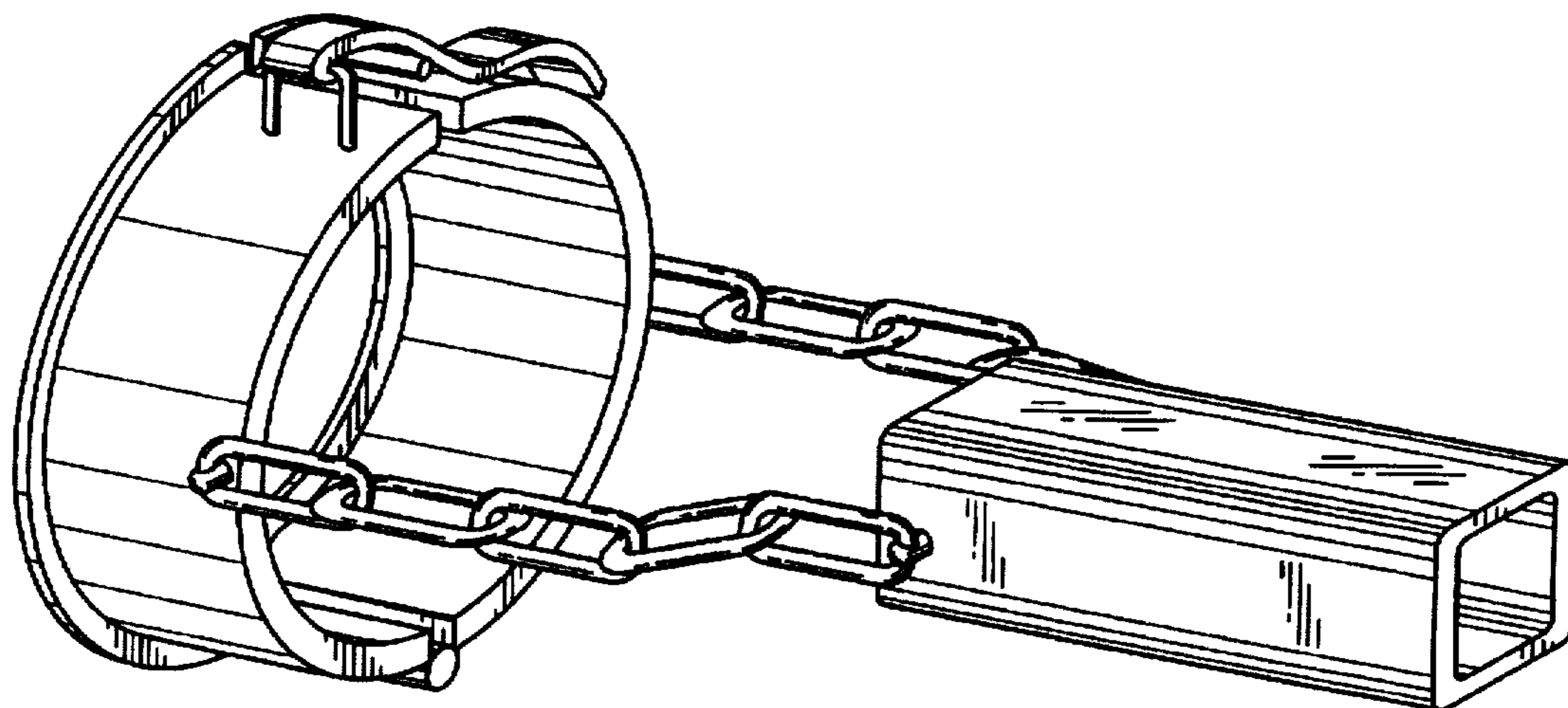


FIG. 1

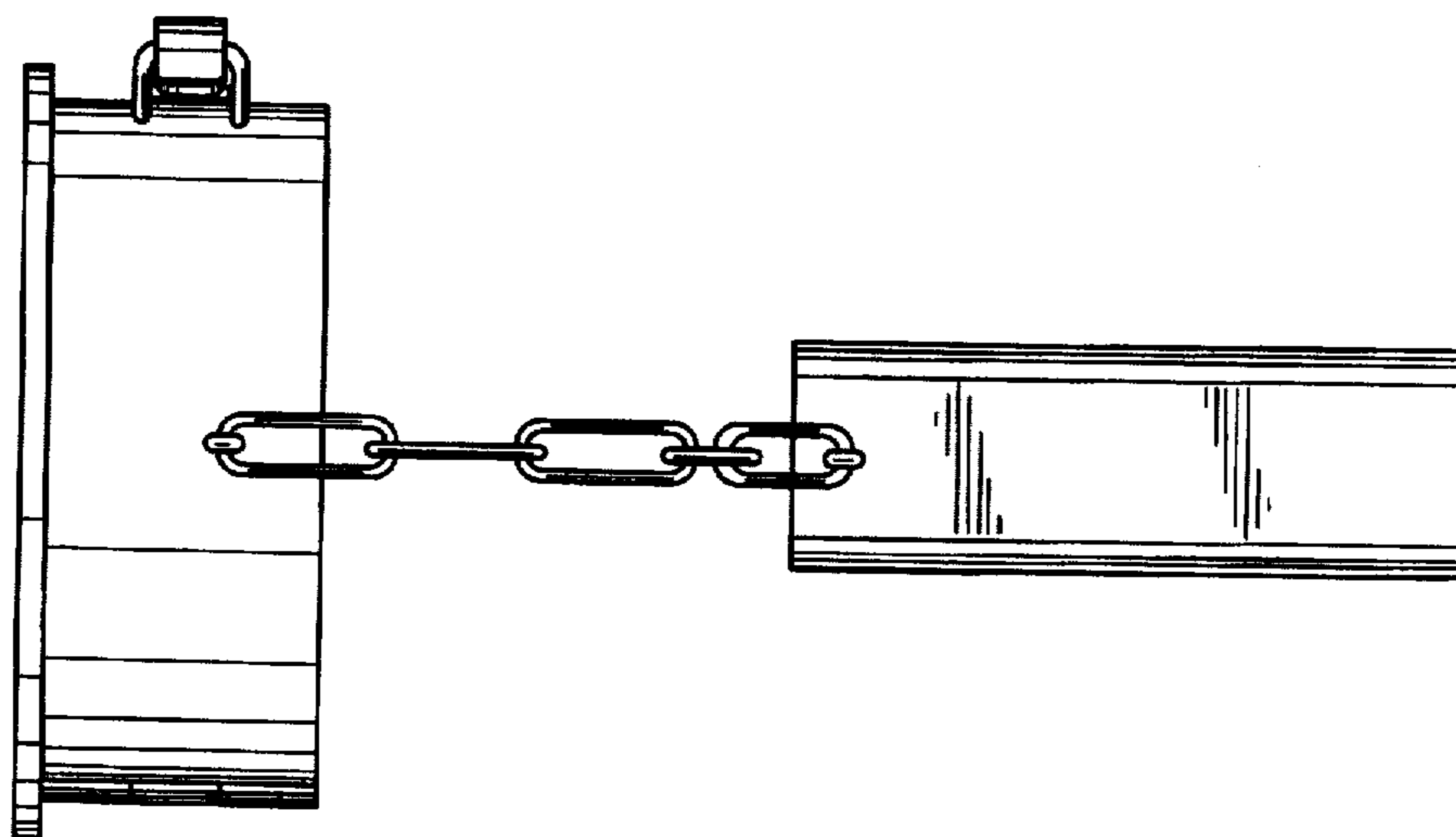


FIG. 2

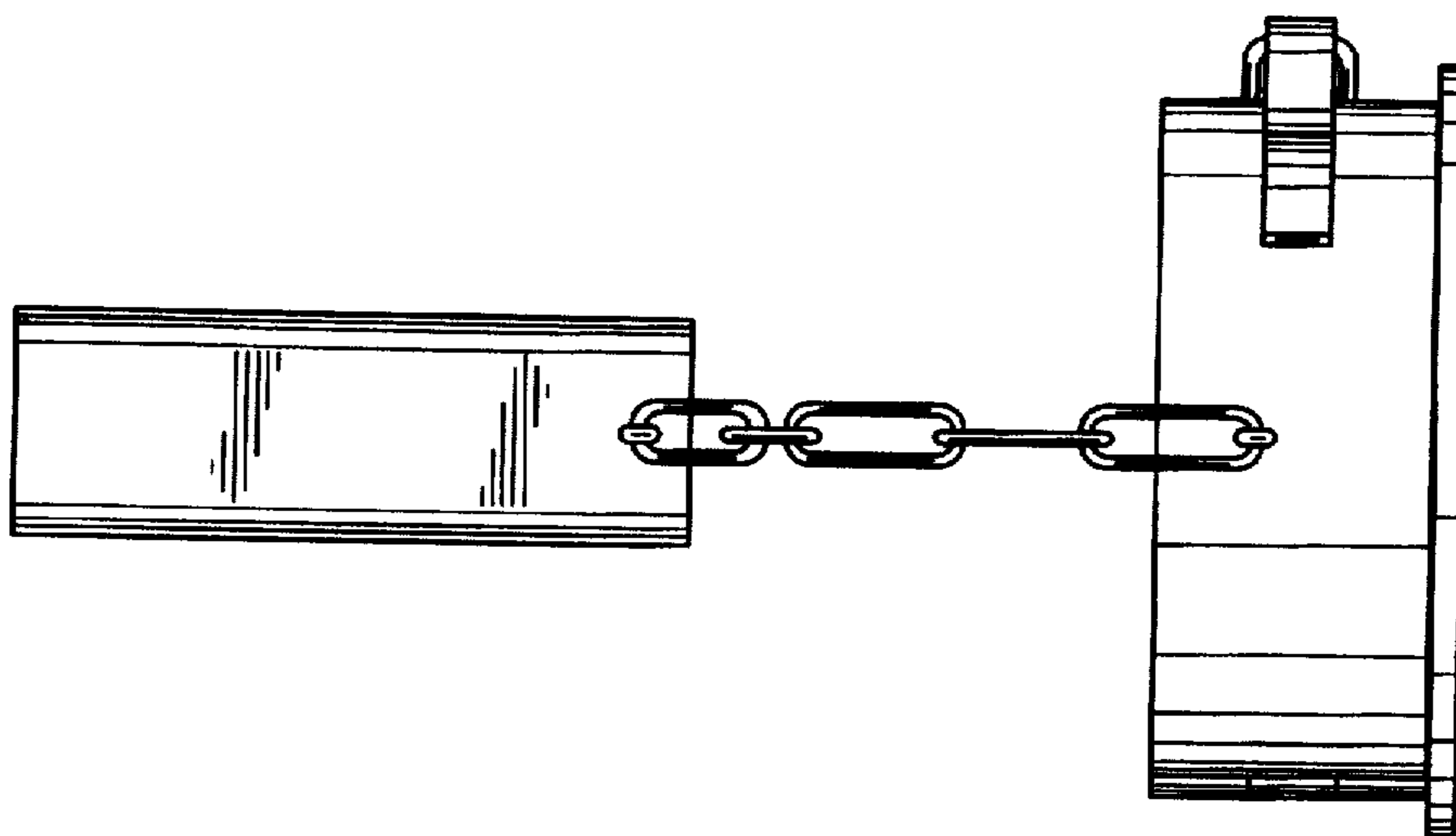


FIG. 3

FIG. 4

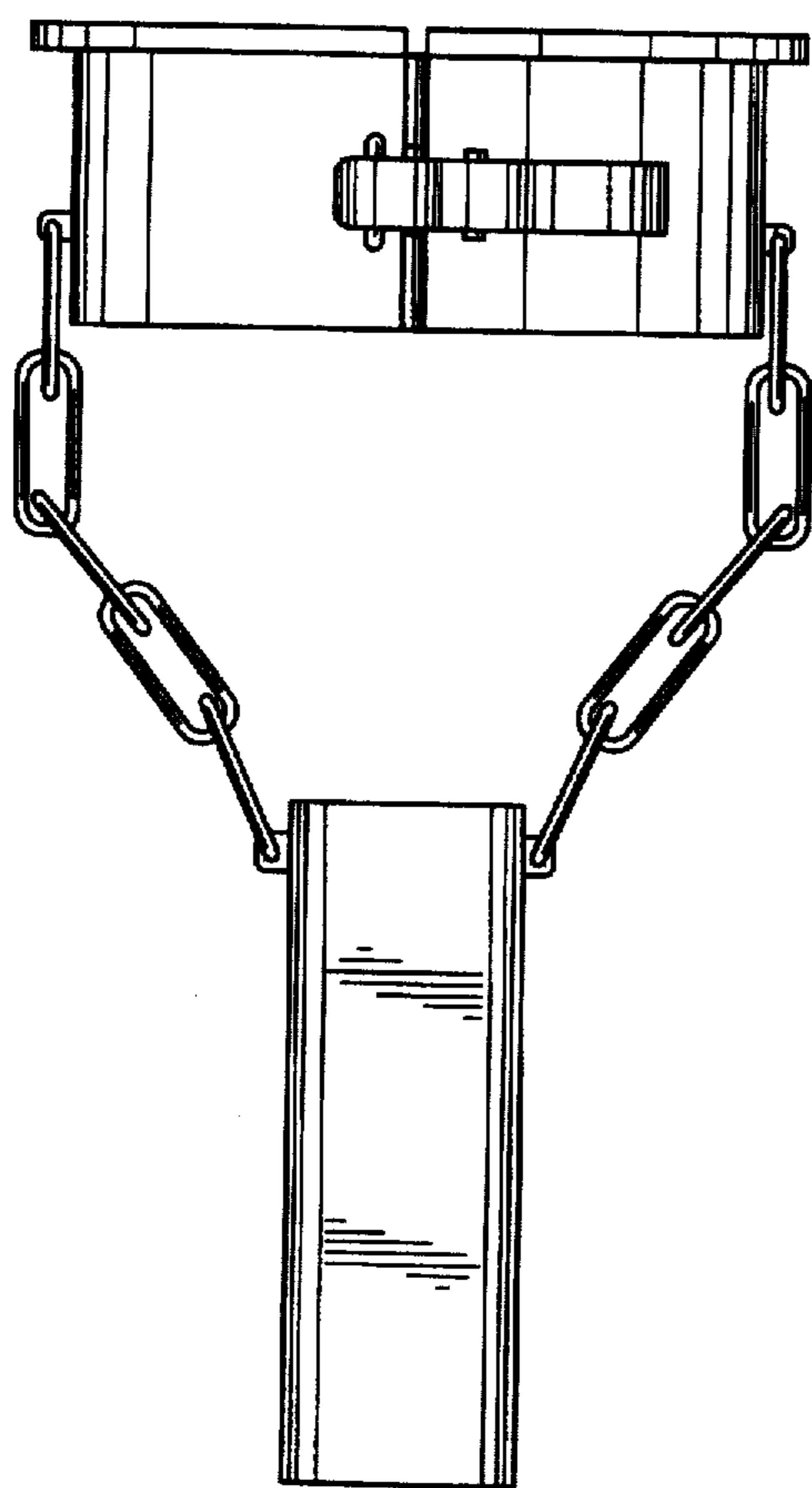
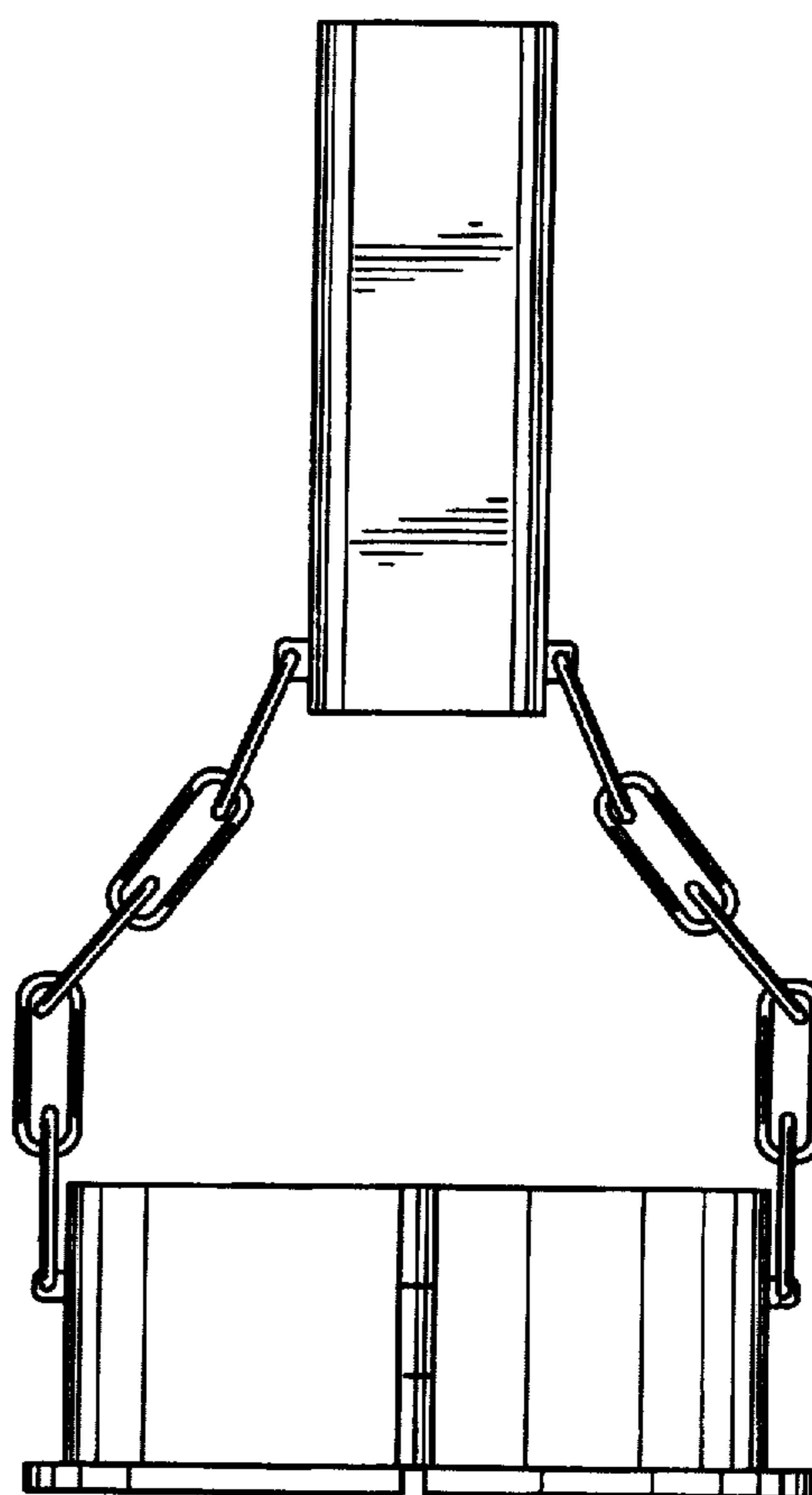


FIG. 5



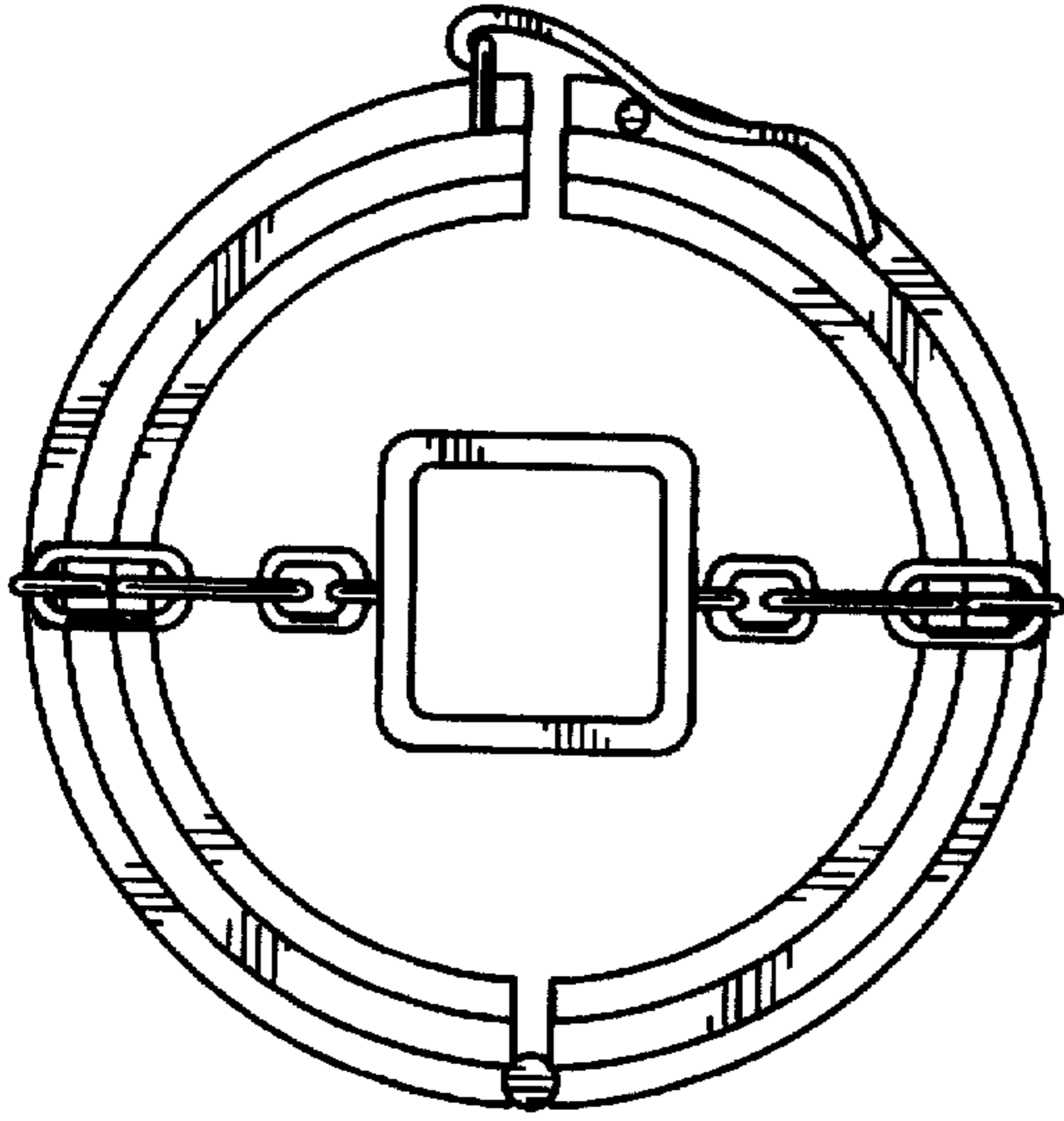


FIG. 6

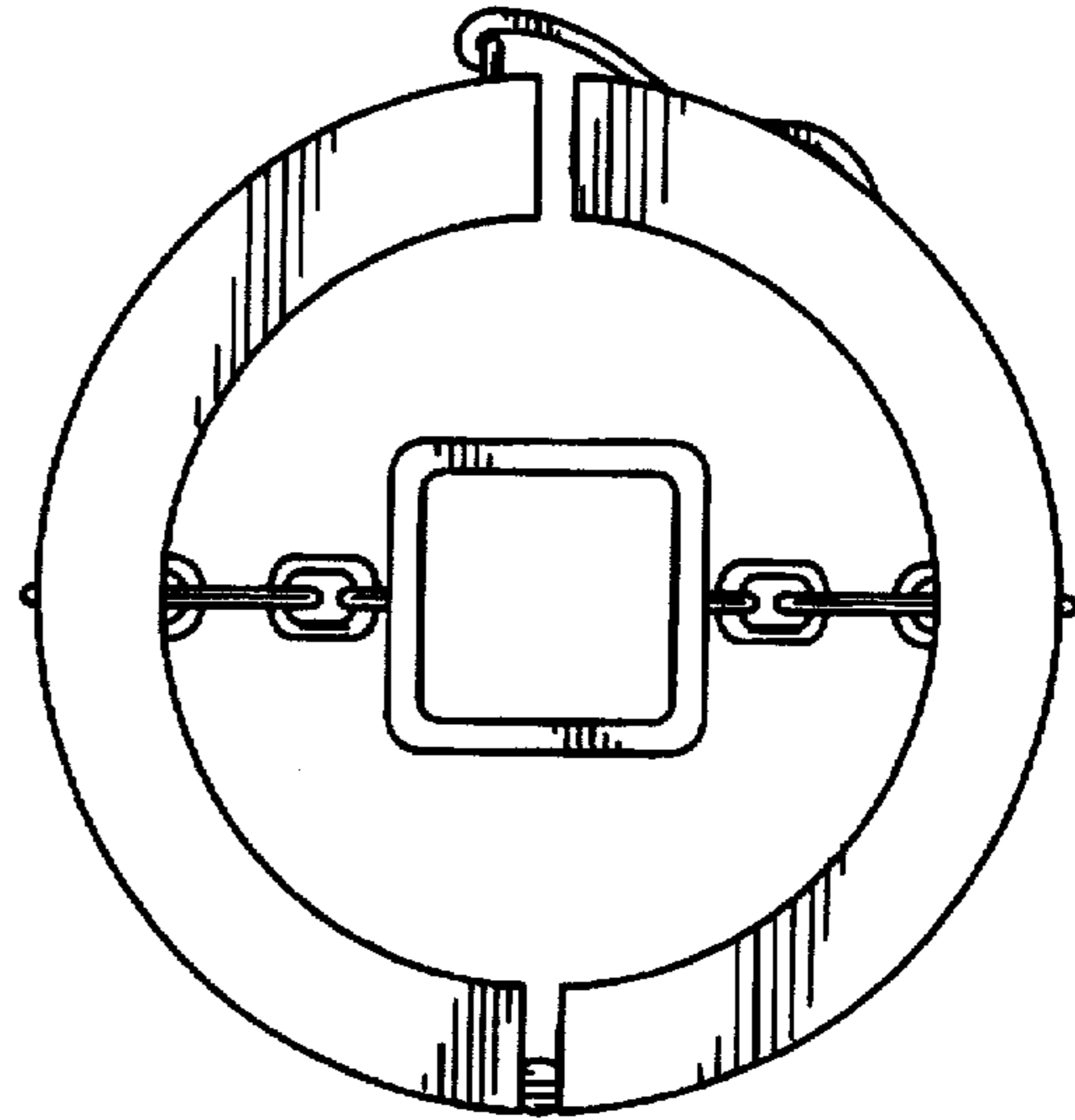


FIG. 7