

US00D387638S

United States Patent [19]

DeLaby et al.

[11] Patent Number: **Des. 387,638**

[45] Date of Patent: ****Dec. 16, 1997**

[54] **HAND HELD SPREADER**

D. 333,951 3/1993 Courtney et al. D8/2
5,123,598 6/1992 Courtney et al. 239/686

[75] Inventors: **Aaron DeLaby, Carlsbad; Paul M. Havlovitz, Escondido, both of Calif.**

Primary Examiner—Holly Baynham
Attorney, Agent, or Firm—Harry Williams

[73] Assignee: **Republic Tool & Mfg. Corp., Carlsbad, Calif.**

[57] **CLAIM**

[**] Term: **14 Years**

The ornamental design for a hand held spreader, as shown and described.

[21] Appl. No.: **56,753**

DESCRIPTION

[22] Filed: **Jul. 8, 1996**

[51] LOC (6) Cl. **08-01**

[52] U.S. Cl. **D8/2**

[58] Field of Search D8/2; D15/13;
D32/17; 239/654, 663, 686; 222/324; 406/98

FIG. 1 is a perspective view taken from the top, rear and left side view of a hand held spreader showing our new design; FIG. 2 is a perspective view taken from the top, front and right side view thereof; FIG. 3 is left side elevational view thereof; FIG. 4 is right side elevational view thereof; FIG. 5 is a front elevational view thereof; FIG. 6 is a rear elevational view thereof; FIG. 7 is a top plan view thereof; and, FIG. 8 is a bottom plan view thereof.

[56] **References Cited**

U.S. PATENT DOCUMENTS

D. 190,742 6/1961 Roberts D8/2
D. 327,823 7/1992 Demarest D8/2

1 Claim, 4 Drawing Sheets

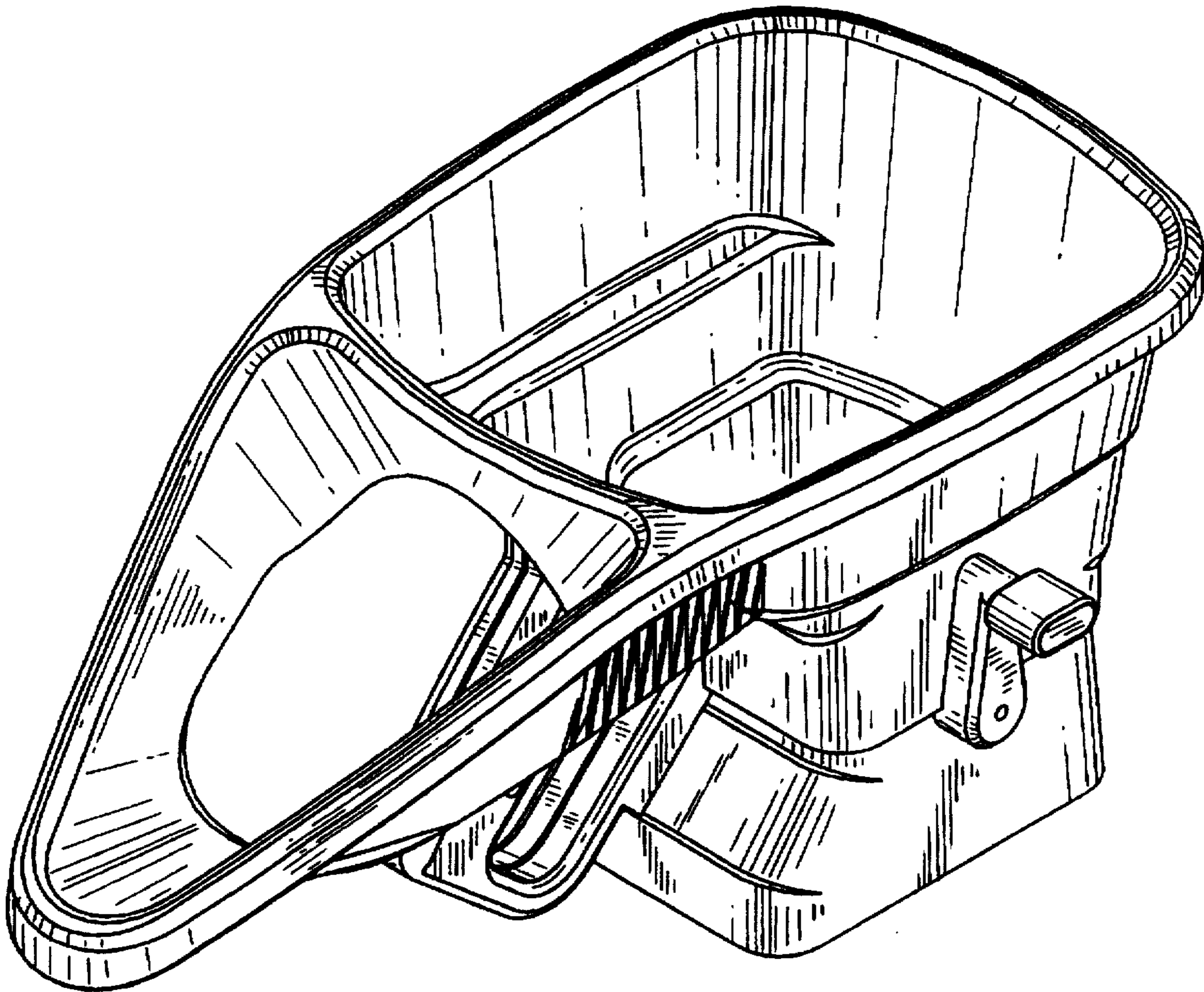


FIG. 1

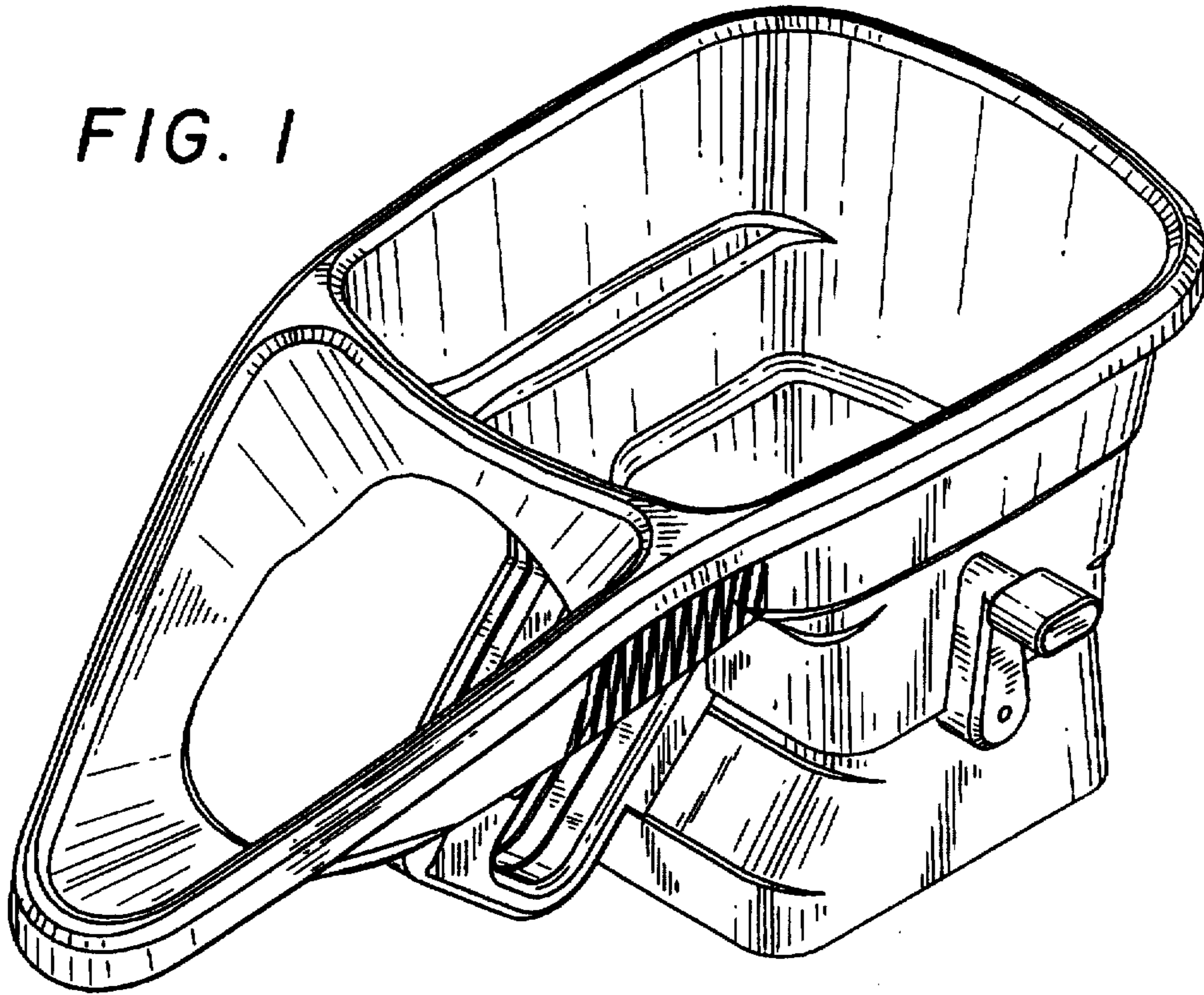
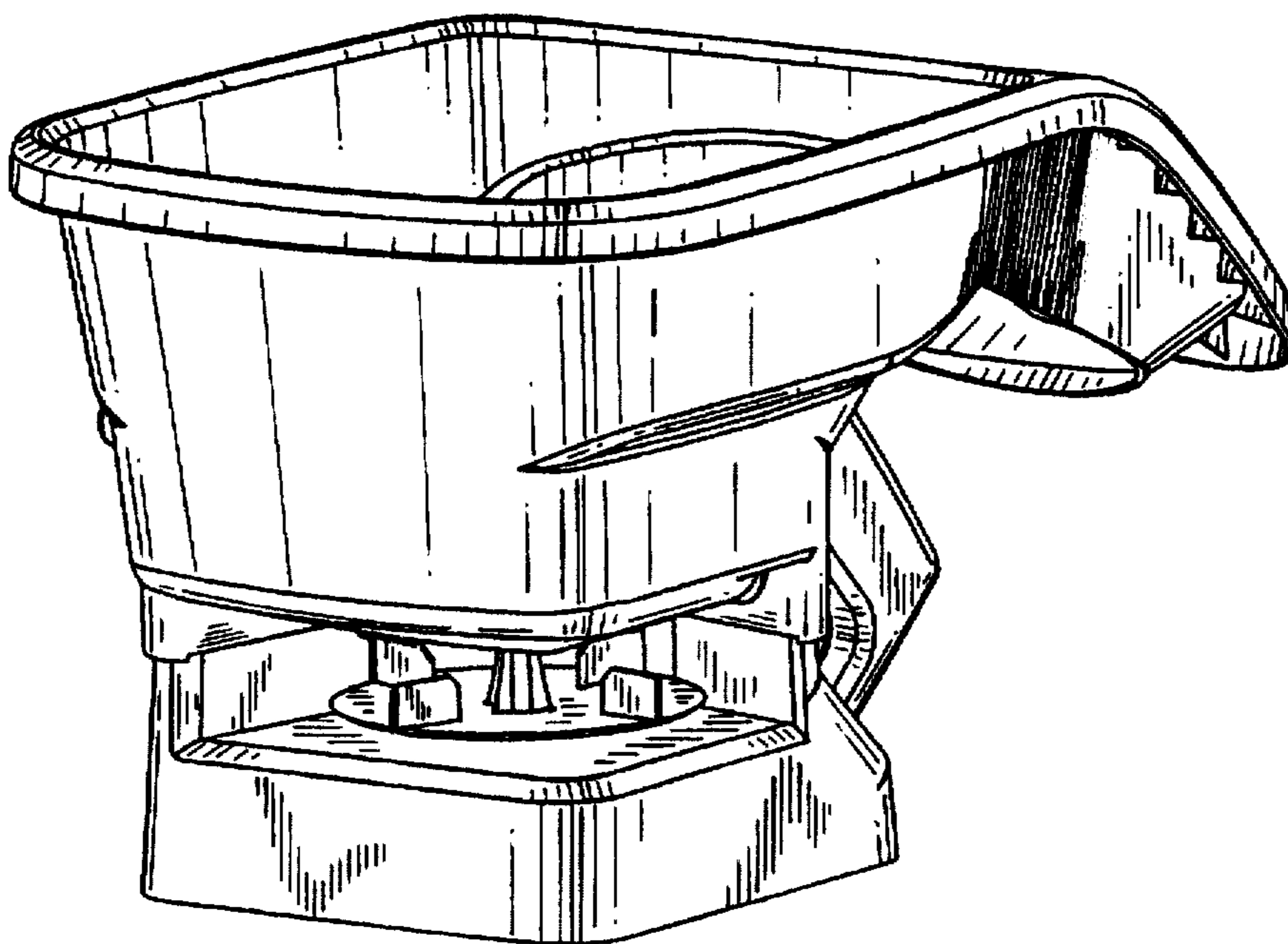


FIG. 2



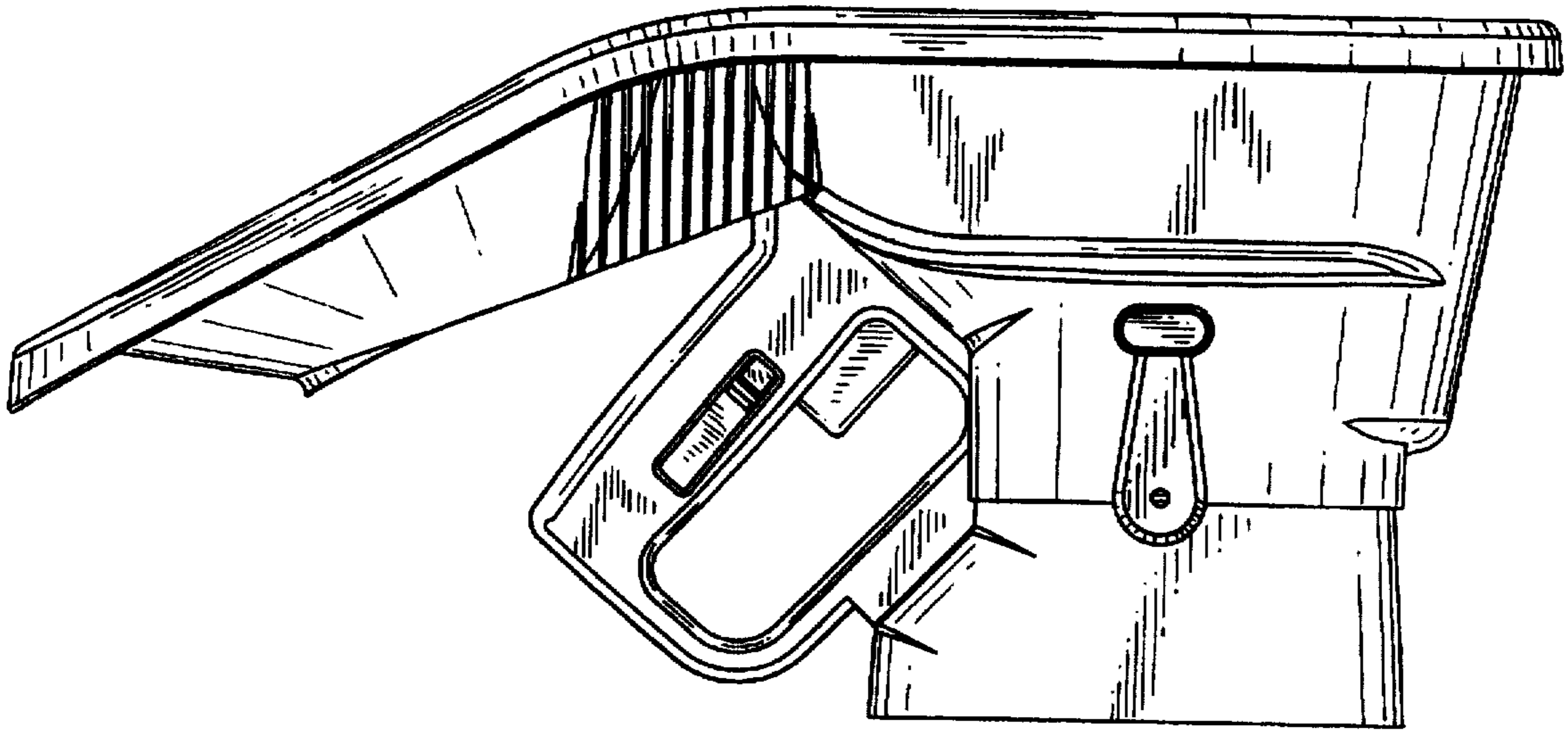


FIG. 3

FIG. 4

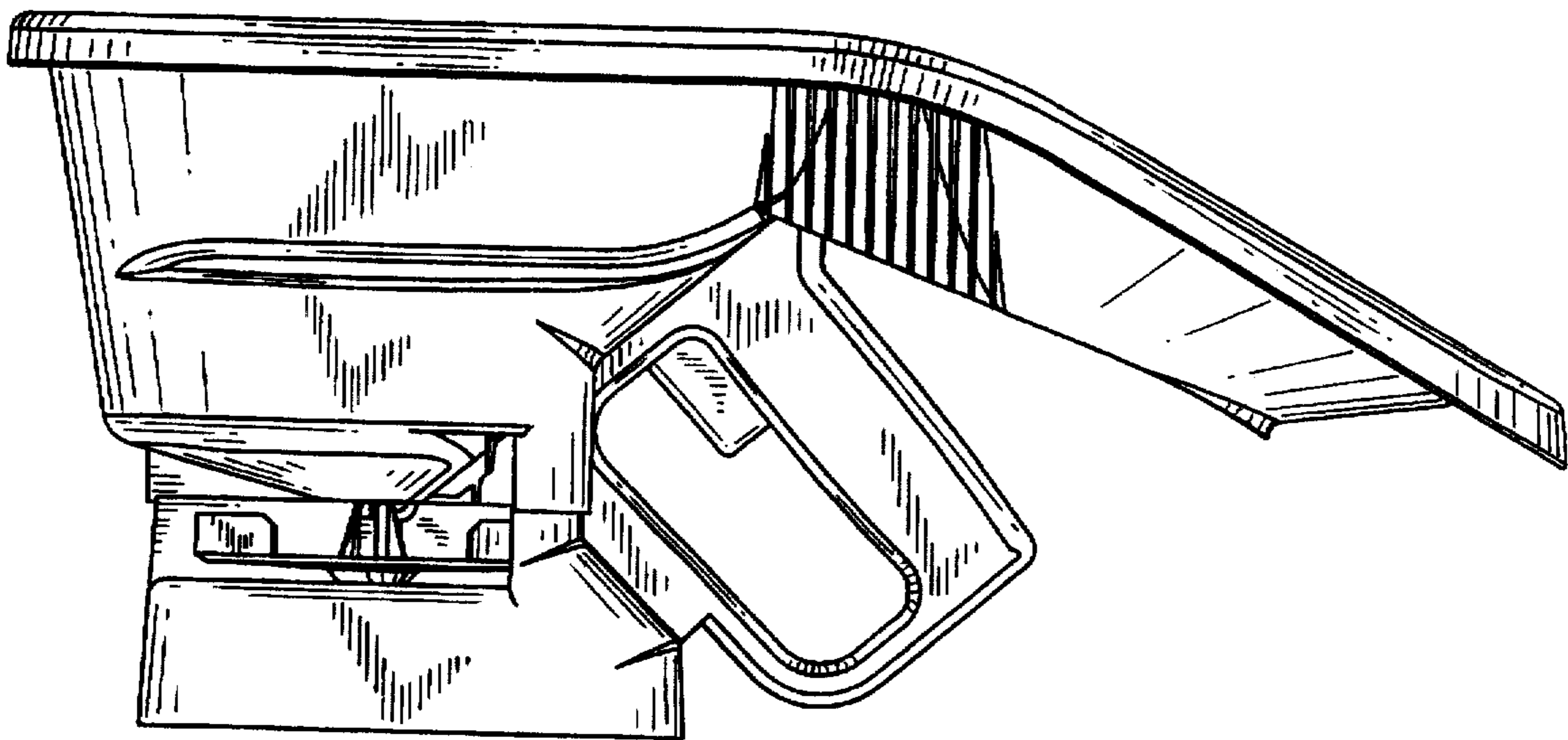


FIG. 5

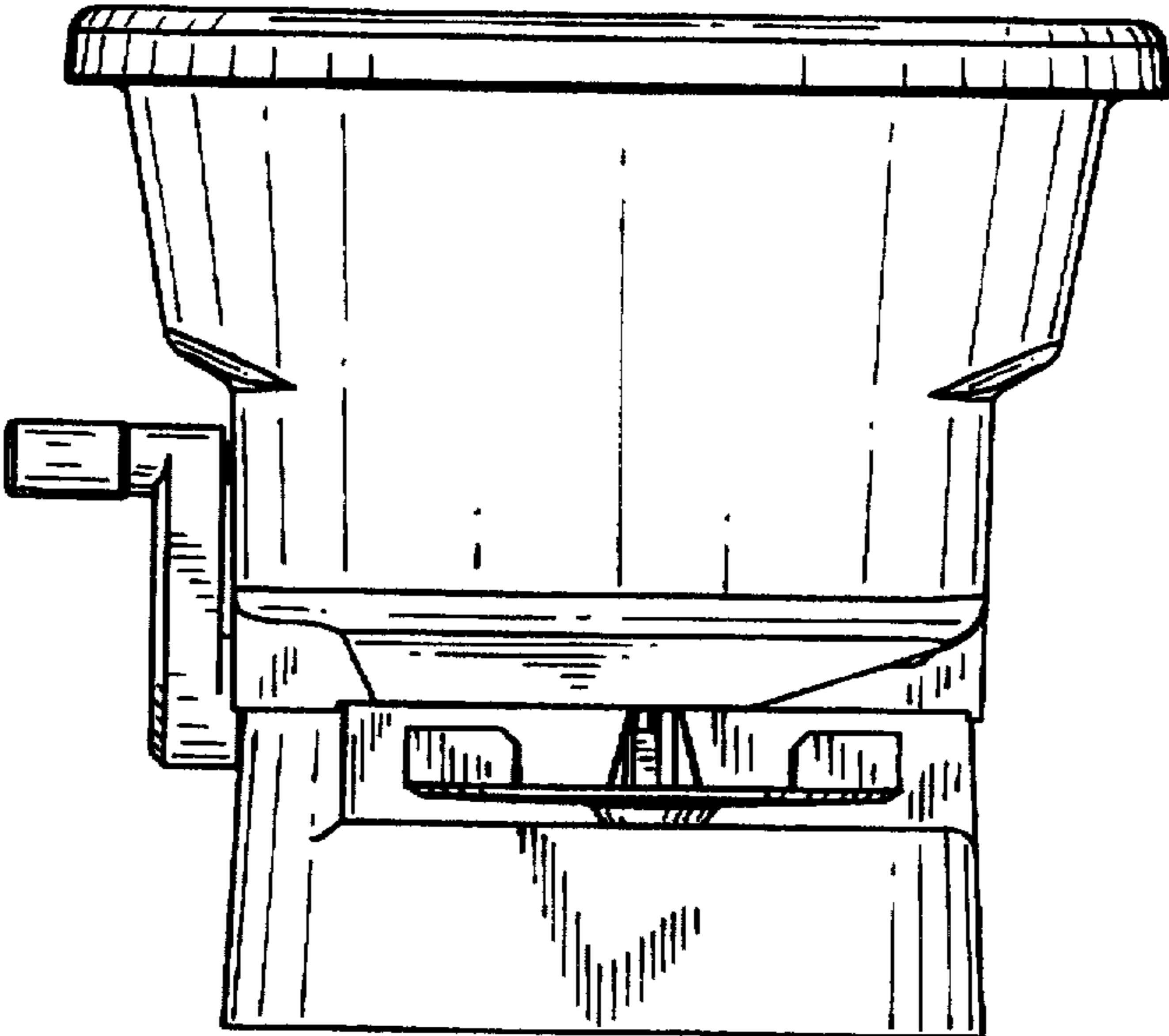
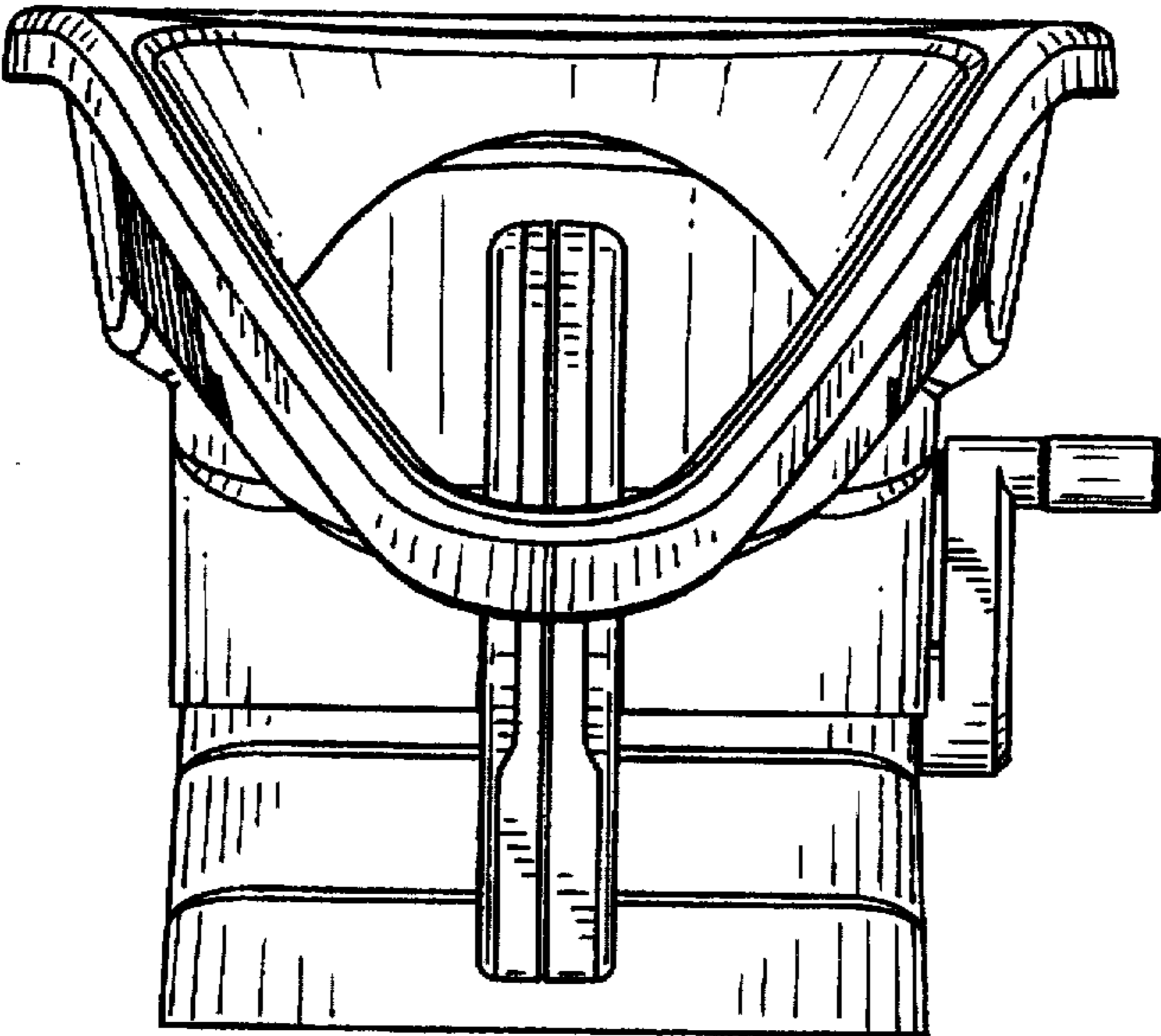


FIG. 6



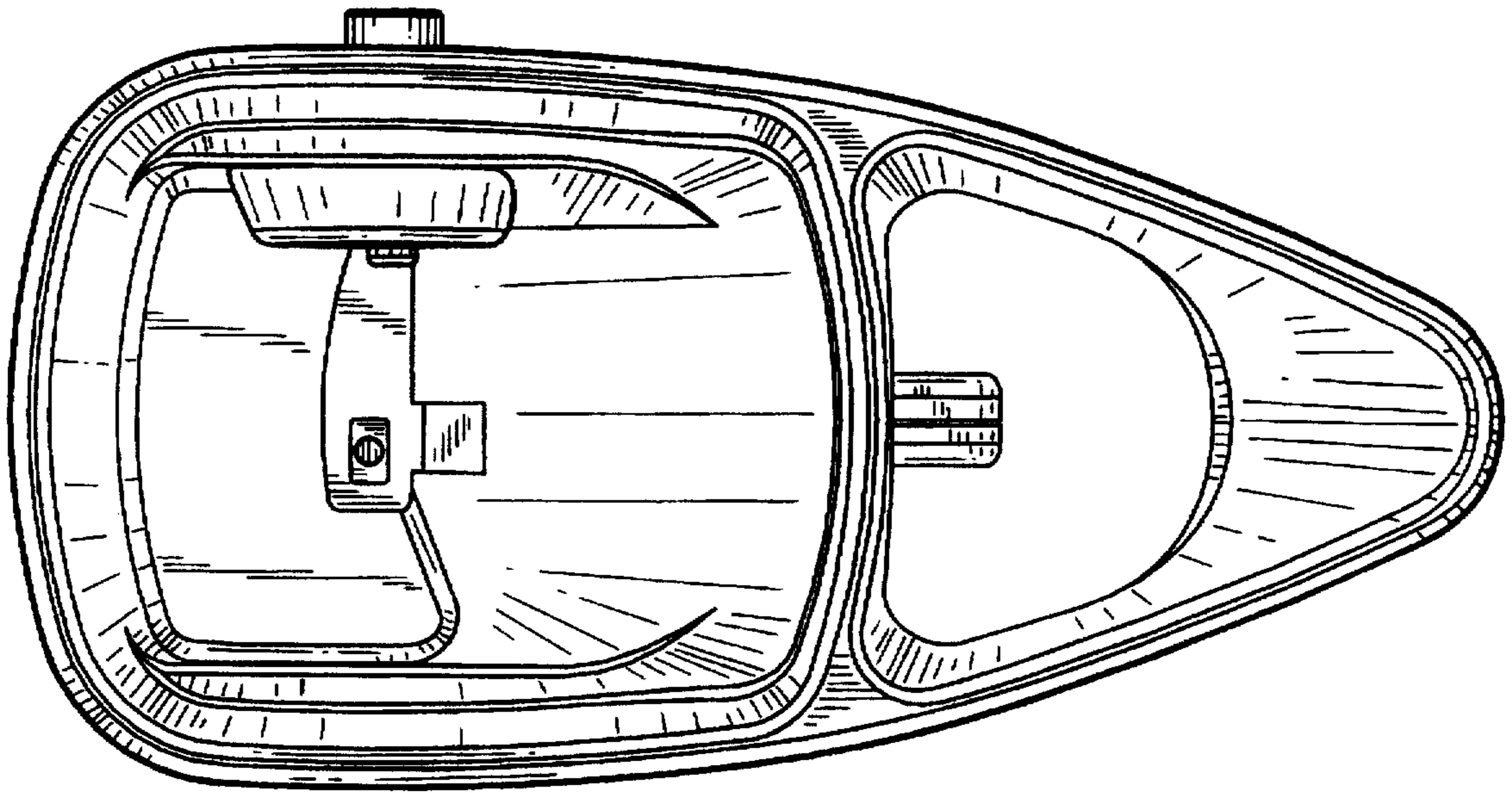


FIG. 7

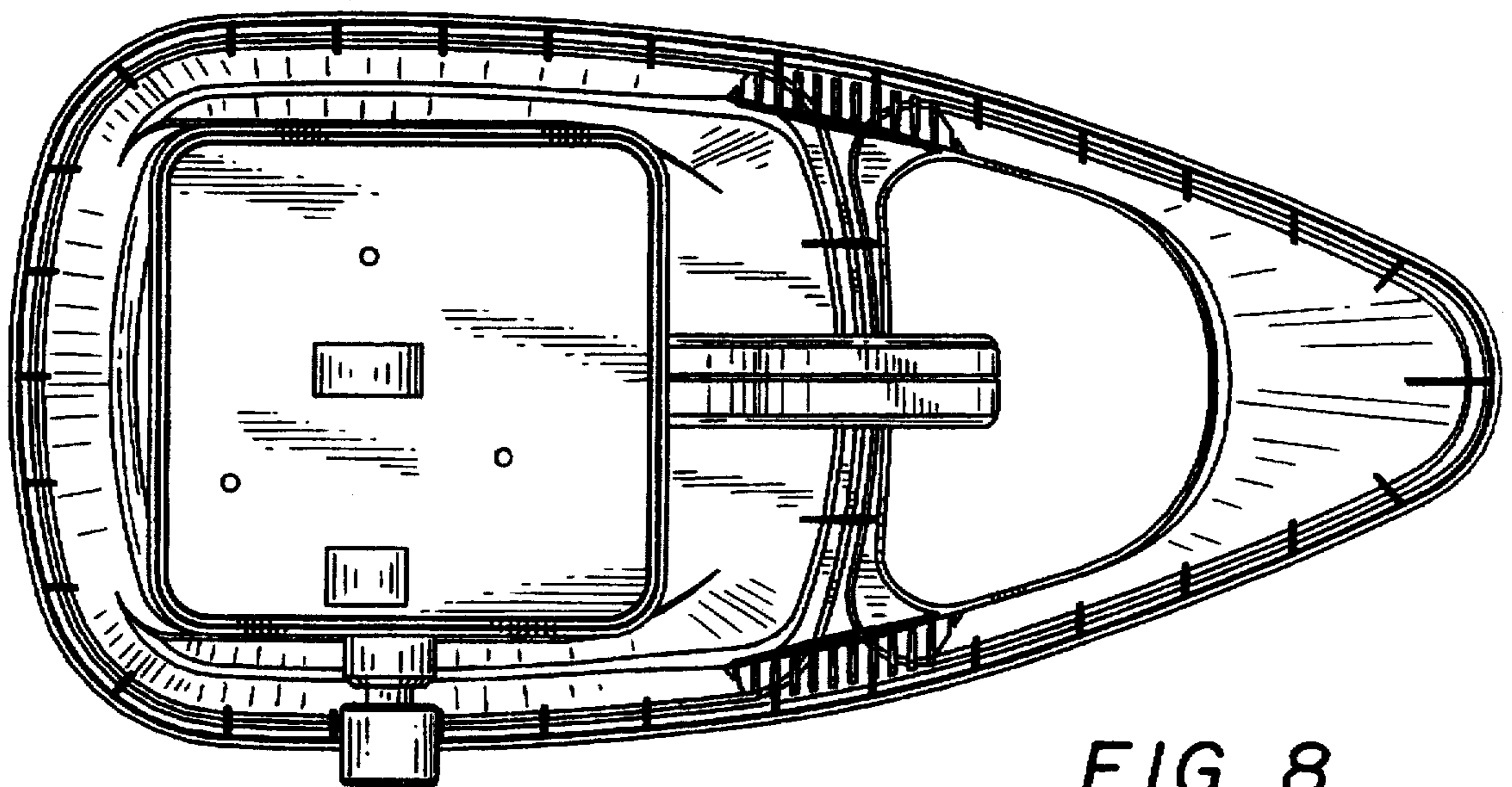


FIG. 8