



US00D387631S

United States Patent [19]
Thibault

[11] **Patent Number: Des. 387,631**

[45] **Date of Patent: **Dec. 16, 1997**

[54] **POINTED OYSTER KNIFE**

[76] **Inventor: Laurent Thibault, 1400 Chemin Filteau, Bernieres, Québec, Canada, G7A 2E7**

[**] **Term: 14 Years**

[21] **Appl. No.: 58,674**

[22] **Filed: Aug. 21, 1996**

[51] **LOC (6) Cl. 07-06**

[52] **U.S. Cl. D7/693**

[58] **Field of Search D7/688-696, 649-652; 30/120.1; 452/1, 2, 5, 6, 12, 17, 102**

[56] **References Cited**

U.S. PATENT DOCUMENTS

D. 313,923 1/1991 Poe, Jr. D7/693

D. 345,087 3/1994 Adams D7/688 X
1,784,334 12/1930 Callum 452/102 X
5,216,812 6/1993 Lyons 30/120.1

Primary Examiner—Terry A. Wallace

[57] **CLAIM**

The ornamental design for a pointed oyster knife, as shown and described.

DESCRIPTION

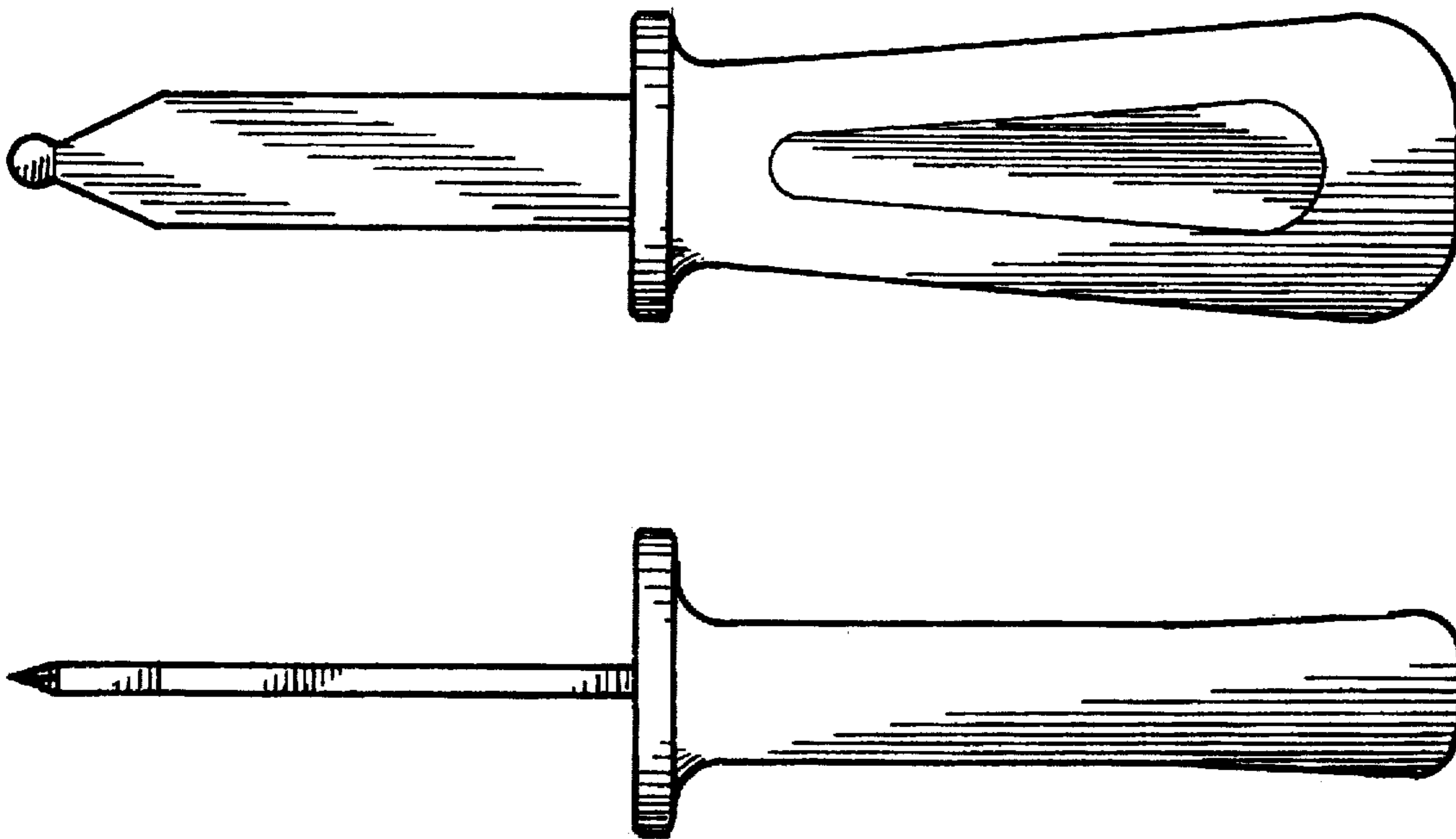
FIG. 1 is a perspective view of a pointed oyster knife showing my new design;

FIG. 2 is a bottom plan view thereof;

FIG. 3 is a side elevation view thereof; and,

FIG. 4 is a front elevation view thereof.

1 Claim, 1 Drawing Sheet



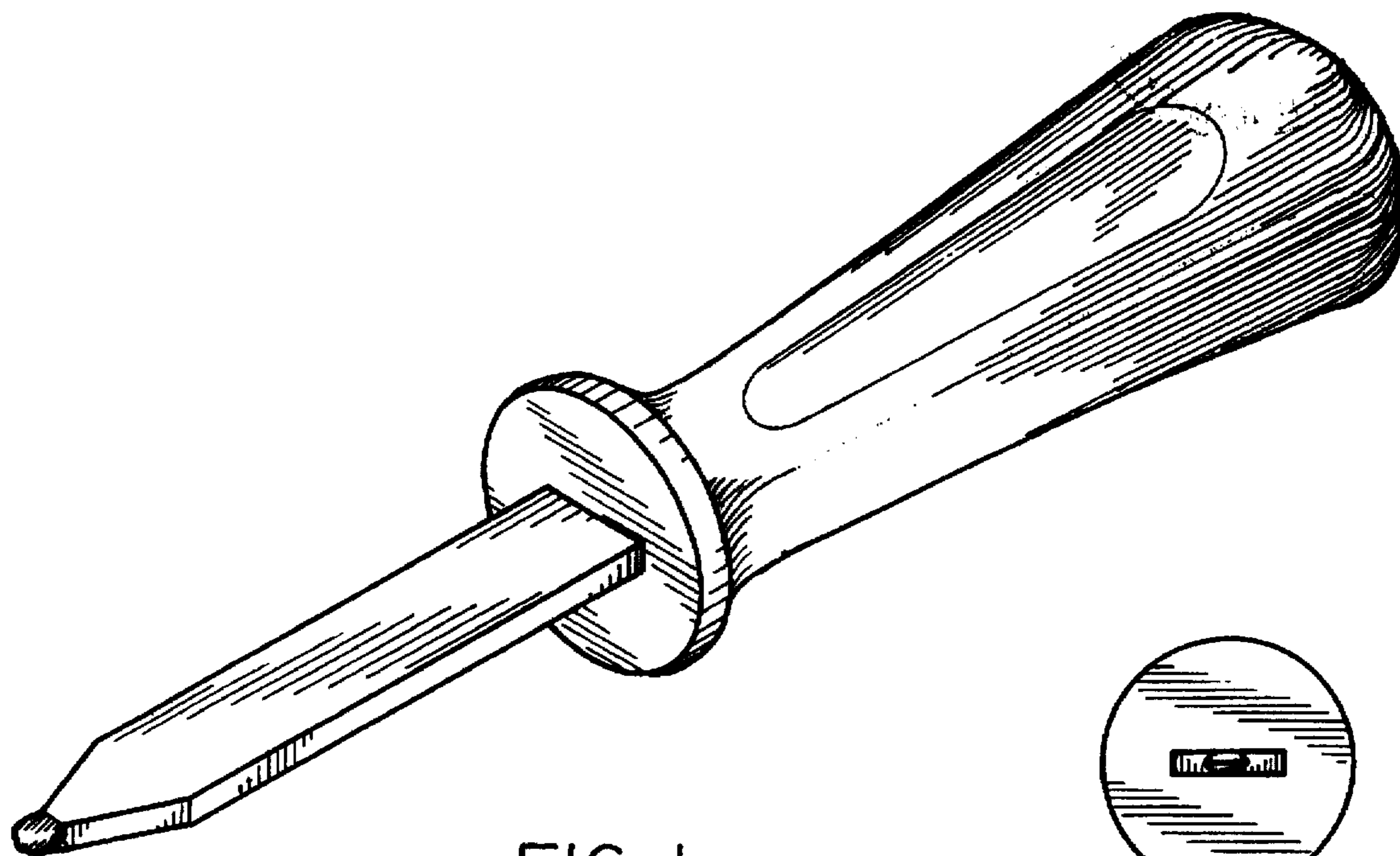


FIG. 1

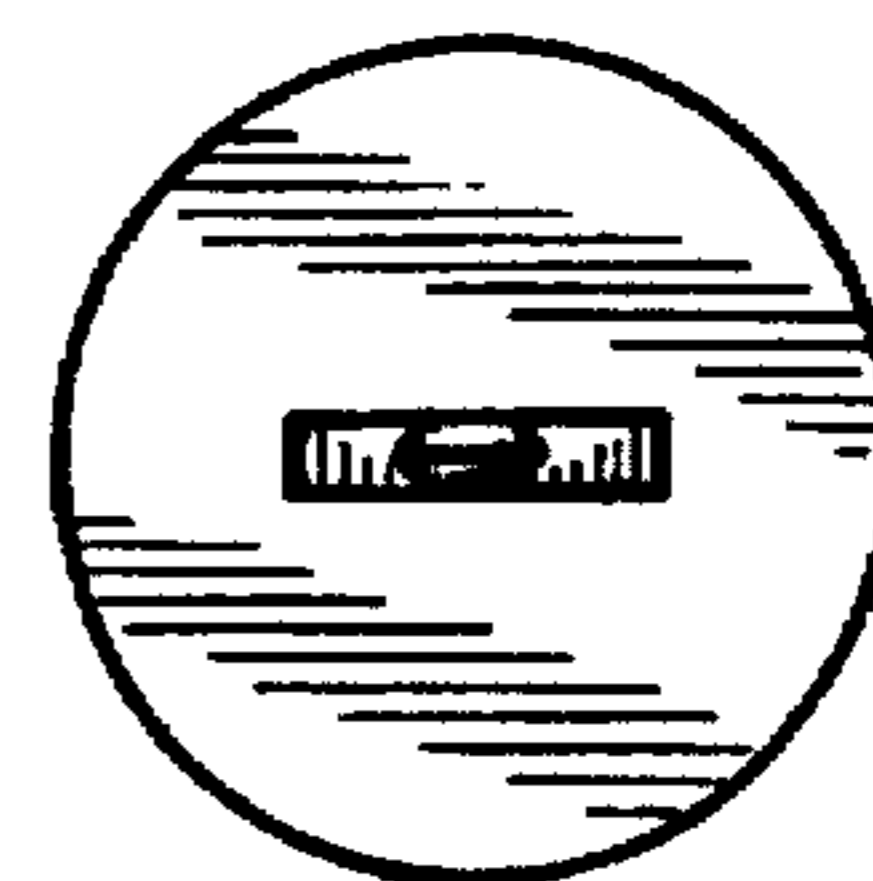


FIG. 4

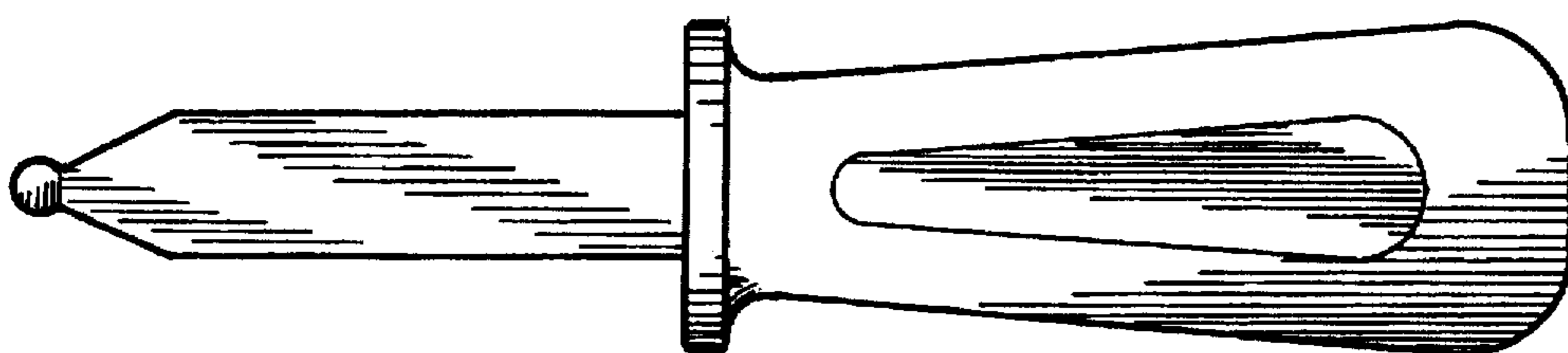


FIG. 2

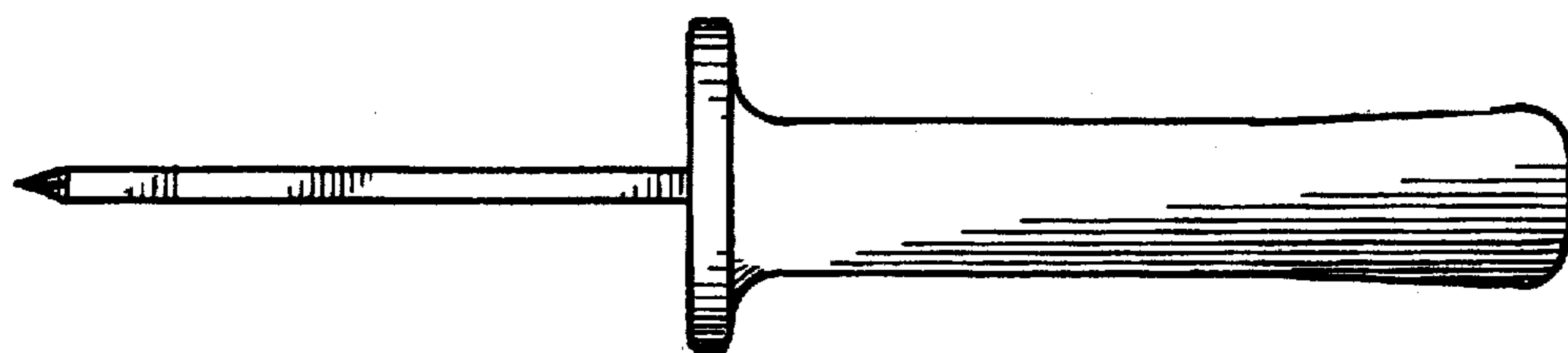


FIG. 3