



US00D387626S

United States Patent [19]
Melk

[11] **Patent Number: Des. 387,626**

[45] **Date of Patent: **Dec. 16, 1997**

[54] **COOLER CHEST**

[75] **Inventor: Thomas J. Melk, Chicago, Ill.**

[73] **Assignee: Outer Circle Products, Ltd., Chicago, Ill.**

[**] **Term: 14 Years**

[21] **Appl. No.: 63,744**

[22] **Filed: Dec. 13, 1996**

[51] **LOC (6) Cl. 07-01**

[52] **U.S. Cl. D7/605**

[58] **Field of Search D7/605-607; D3/201, D3/268, 273, 276, 283, 301; 62/457.1, 457.7, 371; 220/410, 412; 150/107, 108, 119; 383/109, 110, 113, 2; 206/545, 541, 548, 549**

[56] **References Cited**

U.S. PATENT DOCUMENTS

D. 340,840	11/1993	Melk	D3/283	X
D. 371,051	6/1996	Melk	D7/607	
2,808,093	10/1957	Gilman	383/110	X
4,805,776	2/1989	Namayal et al.	D7/607	X
5,103,651	4/1992	Coelho et al.	62/457.2	X
5,403,095	4/1995	Melk			
5,421,172	6/1995	Jones	62/457.7	X

OTHER PUBLICATIONS

Outdoor Products Catalog—1996, Coleman Corporation, cover page and pp. 34, 36, 38.
1995 Outdoor Products Catalog, Coleman Company, cover page, p. 38, an unmarked page, and the back page.

1994 Outdoor Products Catalog, Coleman Company, cover page and p. 39.

Primary Examiner—Terry A. Wallace
Attorney, Agent, or Firm—Trexler, Bushnell, Giangiorgi & Blackstone, Ltd.

[57] **CLAIM**

The ornamental design for a cooler chest, as shown and described.

DESCRIPTION

FIG. 1 is a front, left side, top perspective view of the cooler chest showing the design thereof and in which a zipper pull used is shown in broken line, this broken line element is for illustrative purposes only and forms no part of the claimed design;

FIG. 2 is a front elevational view thereof;

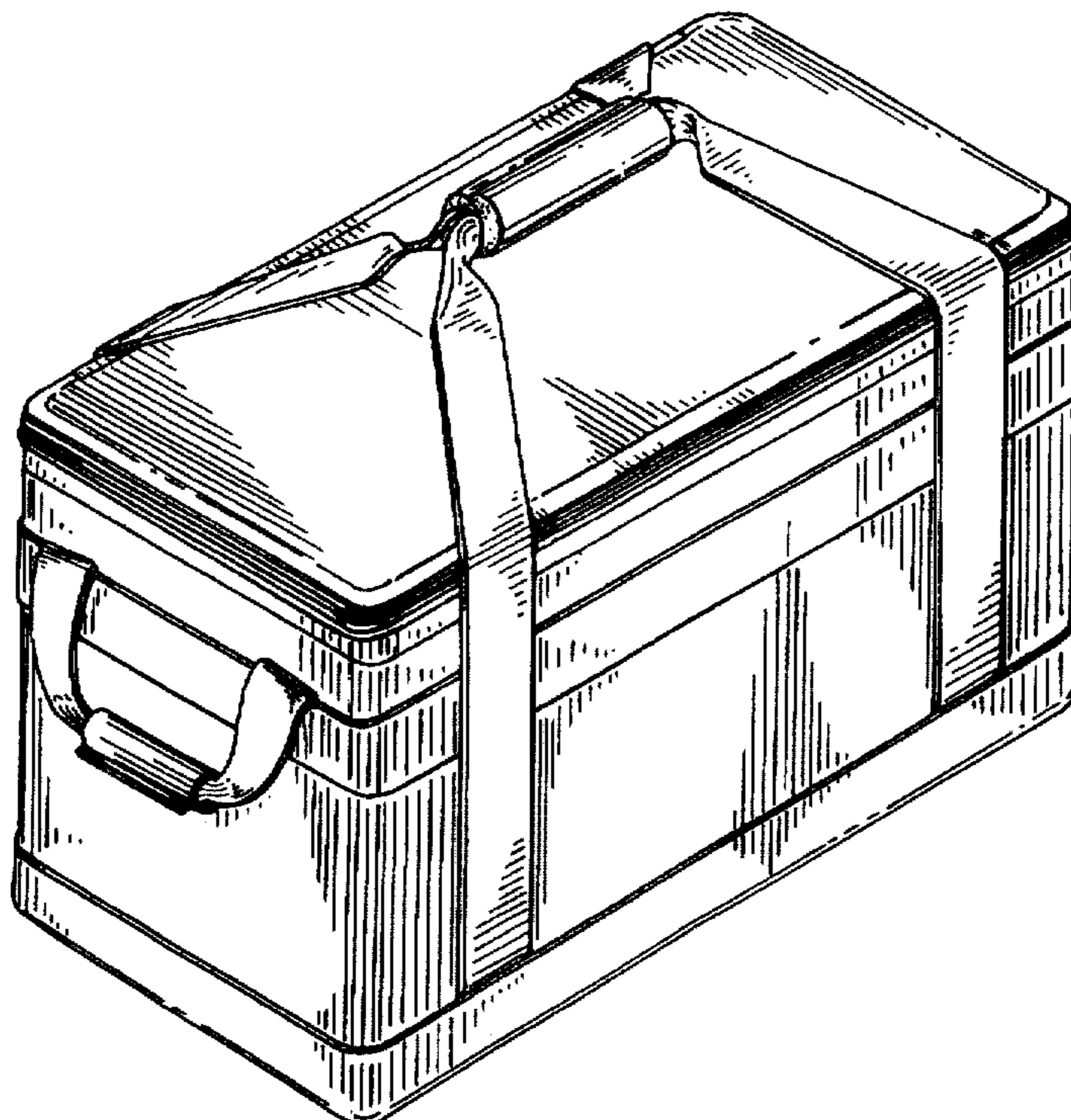
FIG. 3 is a rear side elevational view thereof;

FIG. 4 is a left side elevational view thereof, a right side elevational view is not provided as it is a mirror image of the left side elevational view;

FIG. 5 is a top plan view thereof; and,

FIG. 6 is a bottom plan view thereof.

1 Claim, 6 Drawing Sheets



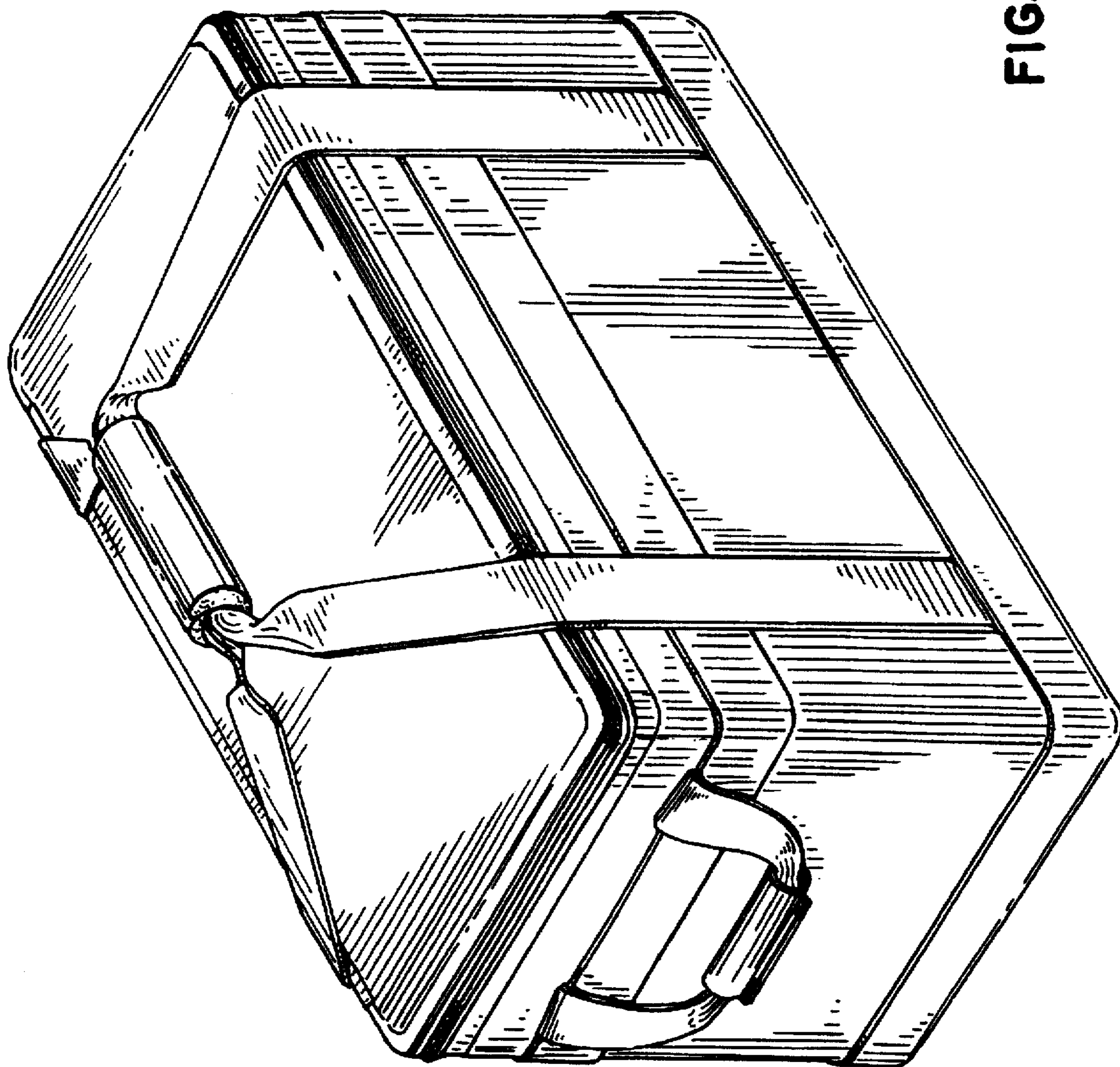


FIG. 1

FIG. 2

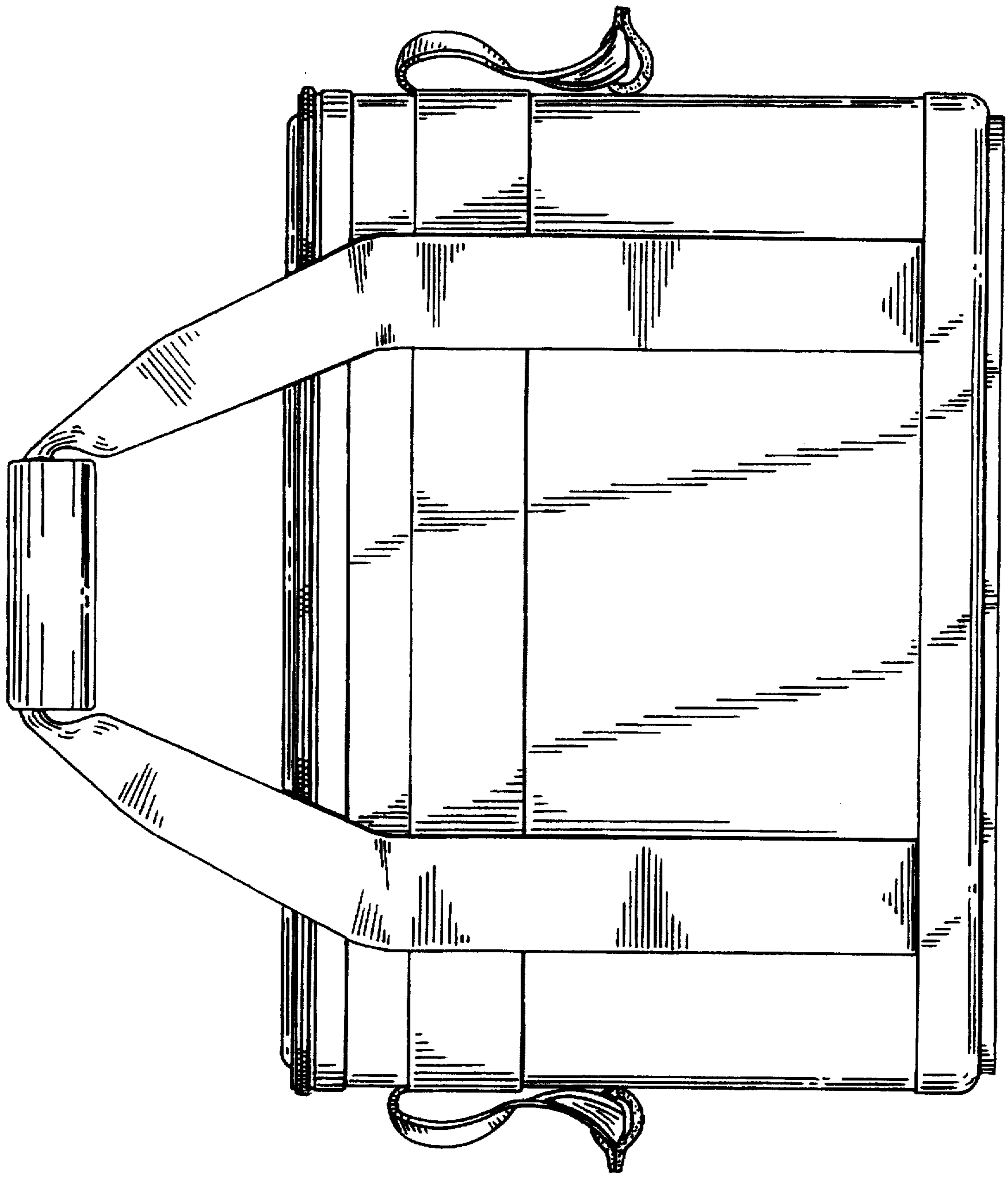


FIG. 3

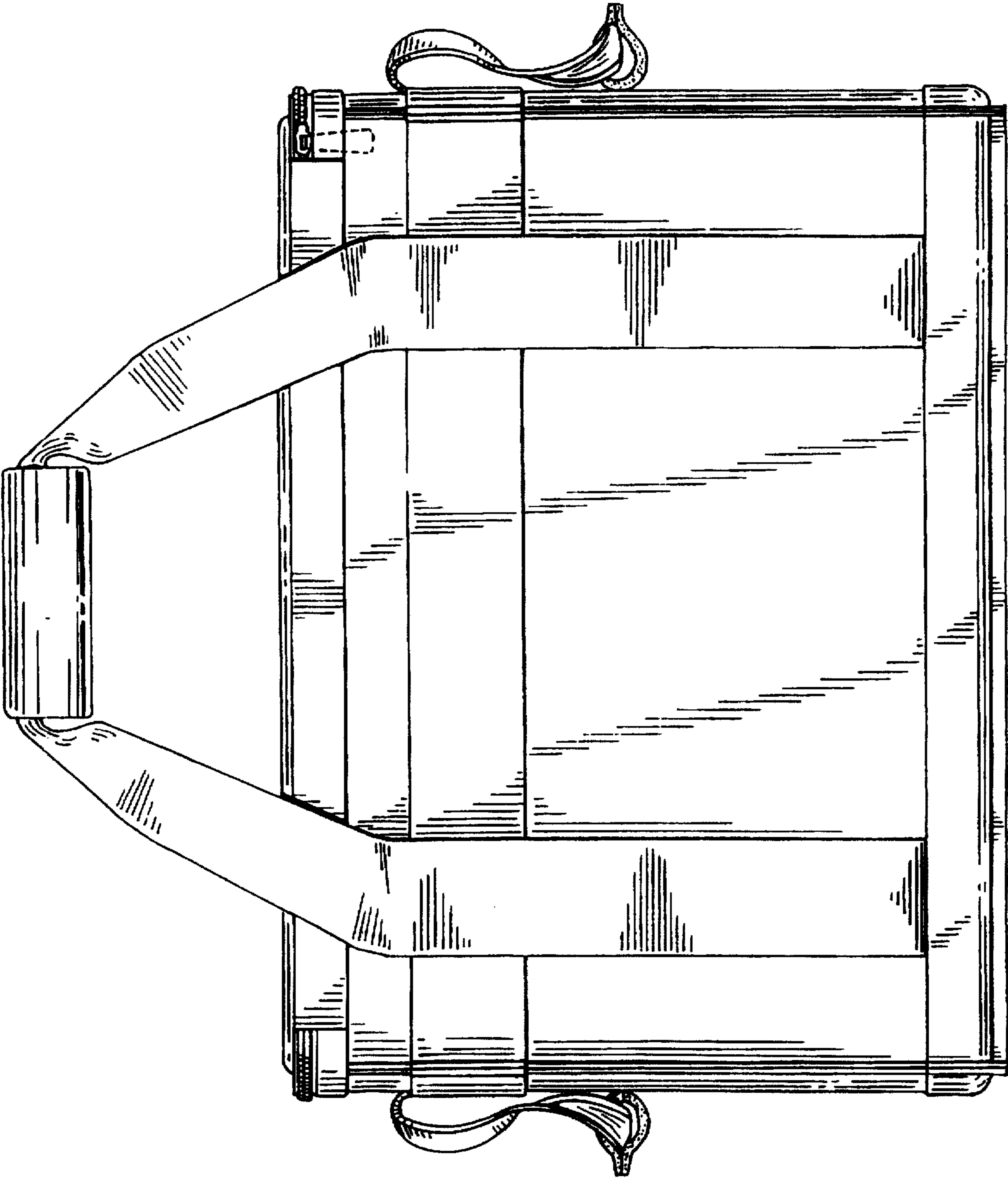
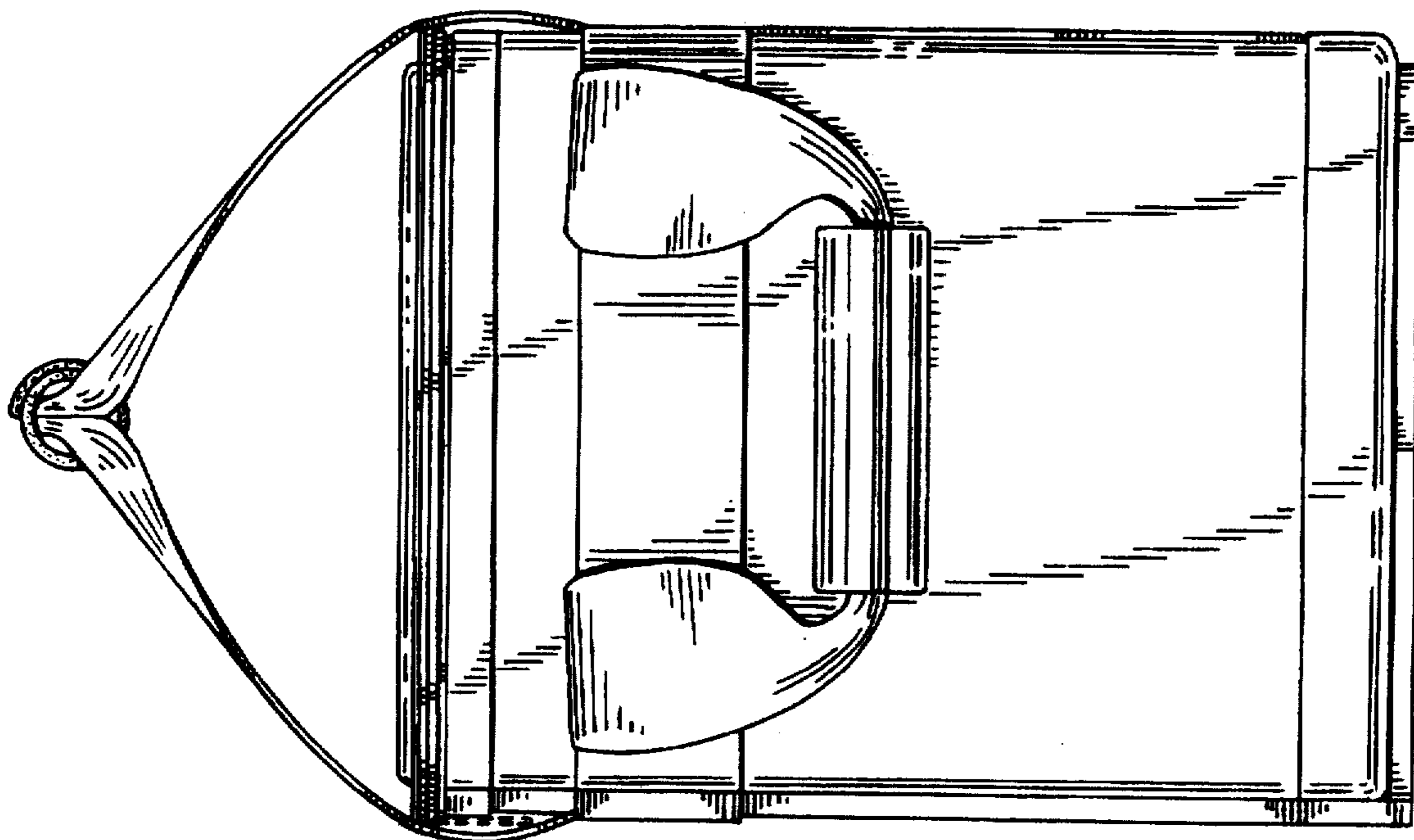


FIG. 4



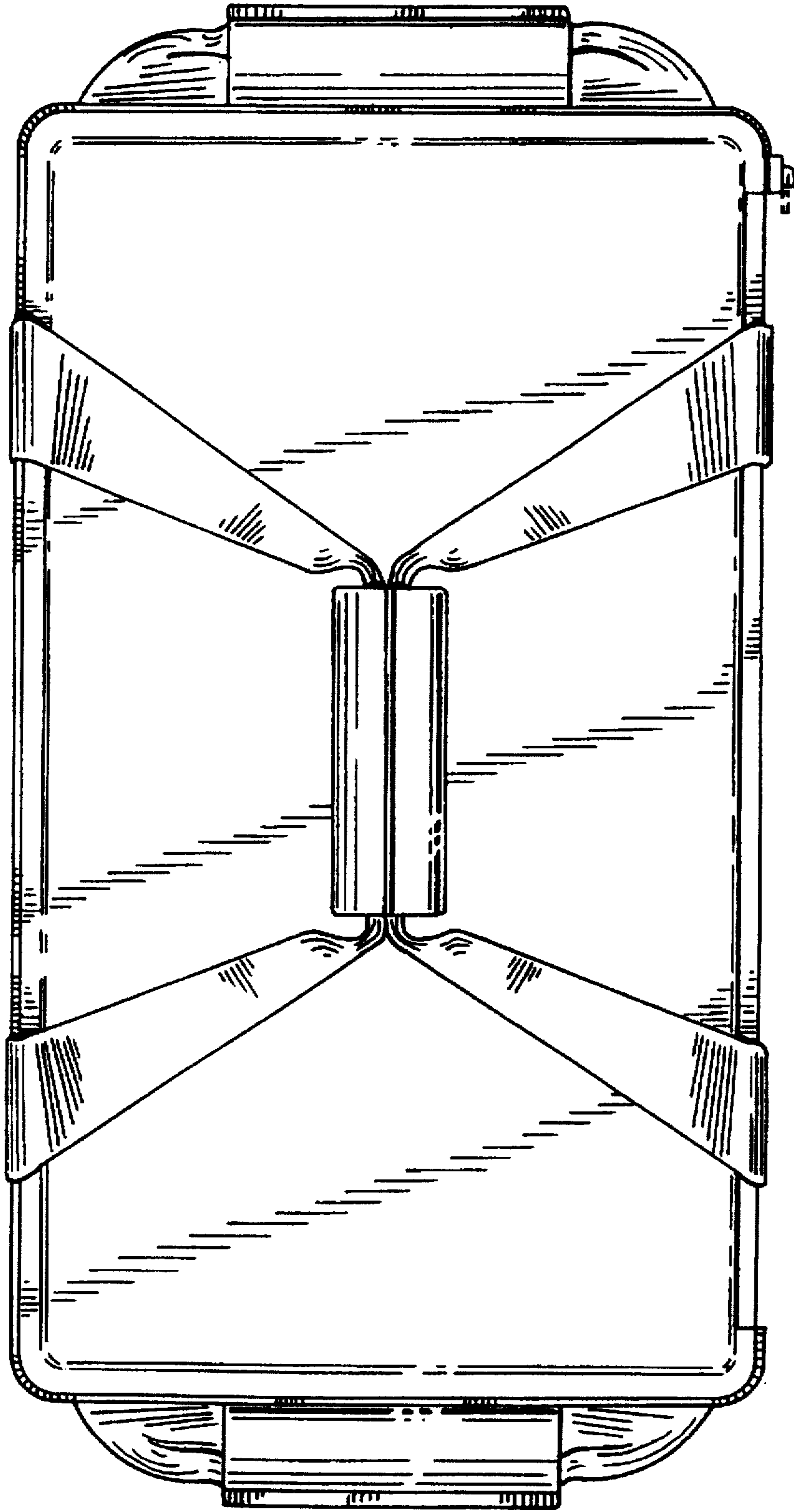


FIG. 5

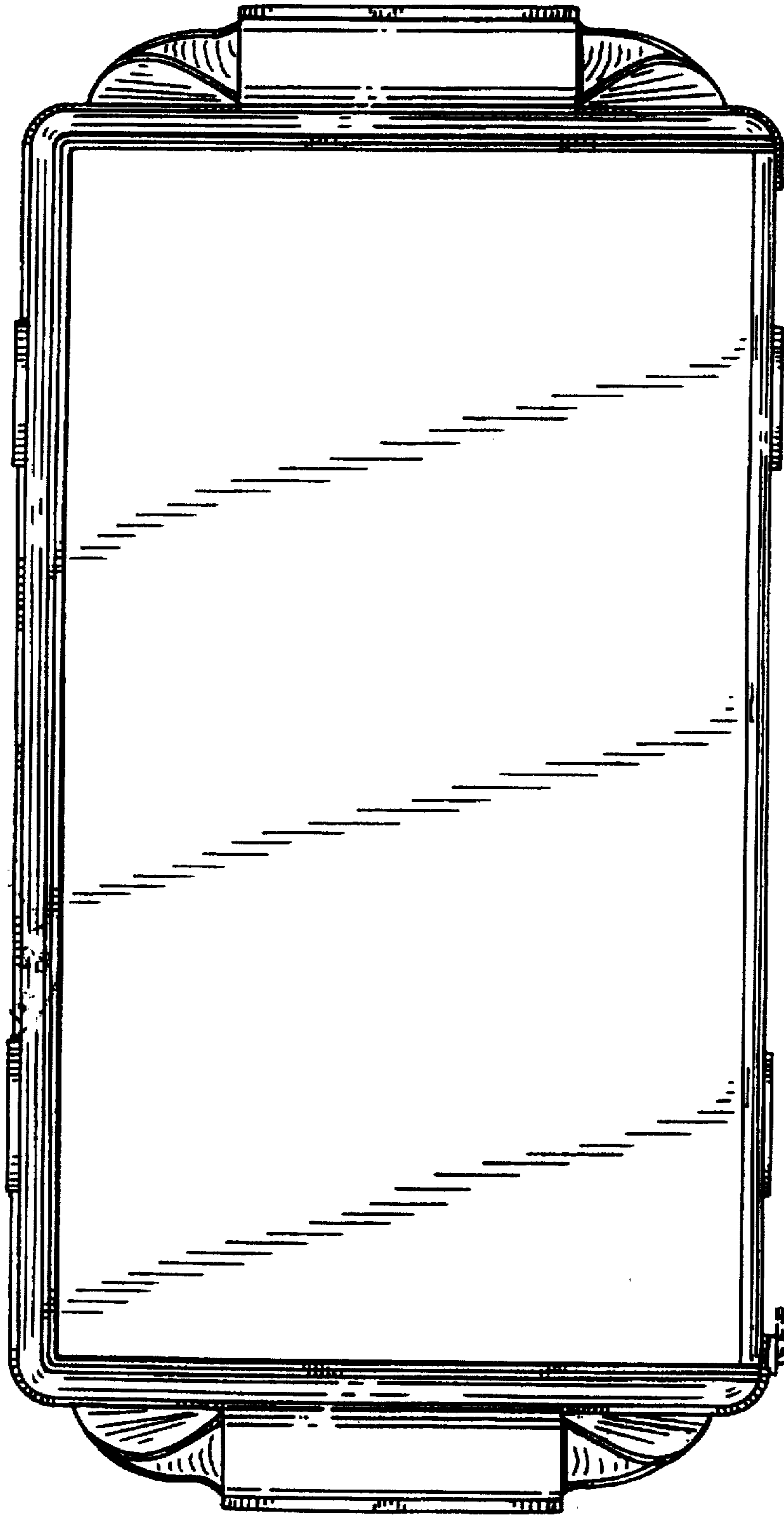


FIG. 6