



US00D387625S

United States Patent [19]
Kai Fai

[11] **Patent Number: Des. 387,625**

[45] **Date of Patent: **Dec. 16, 1997**

[54] **WHEELED COOLER BAG**

D. 370,159 5/1996 Fenton et al. D7/605
4,724,681 2/1988 Bartholomen et al. 62/457.7 X

[75] **Inventor: Frank Yeung Kai Fai, Kowloon, Hong Kong**

Primary Examiner—Terry A. Wallace
Attorney, Agent, or Firm—Barnes, Kisselle, Raisch, Choate, Whittemore & Hulbert, P.C.

[73] **Assignee: Pam & Frank, Hong Kong, Hong Kong**

[**] **Term: 14 Years**

[57] **CLAIM**

The ornamental design for the wheeled cooler bag, as shown and described.

[21] **Appl. No.: 61,296**

[22] **Filed: Oct. 21, 1996**

DESCRIPTION

[51] **LOC (6) Cl. 07-01**

[52] **U.S. Cl. D7/605; D3/279**

[58] **Field of Search D7/605, 606, 607; D3/201, 273, 276, 279, 283; 62/457.1, 457.7, 371; 150/107, 118, 119; 190/18 A, 100, 109, 112; 383/109, 110, 113; 206/545, 549, 548, 541**

FIG. 1 is a perspective view of a wheeled cooler bag showing my new design;

FIG. 2 is a front elevation view thereof;

FIG. 3 is a right side elevation view thereof;

FIG. 4 is a rear elevation view thereof;

FIG. 5 is a left side elevation view thereof;

FIG. 6 is a top plan view thereof;

FIG. 7 is a bottom plan view thereof; and,

FIG. 8 is a partial perspective view thereof with the handle in a down position.

[56] **References Cited**

U.S. PATENT DOCUMENTS

D. 364,504 11/1995 Bieder et al. D3/279 X

1 Claim, 4 Drawing Sheets

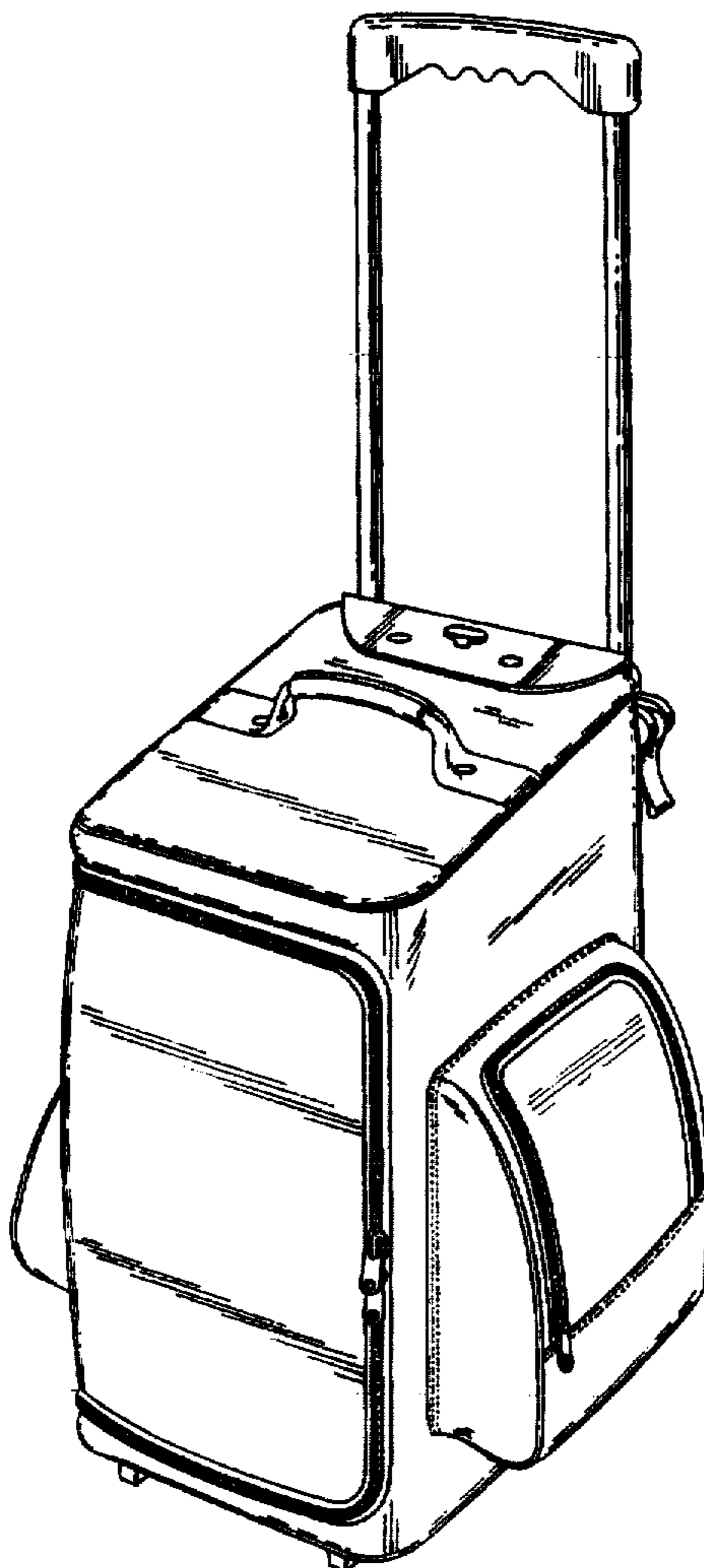


FIG. 1

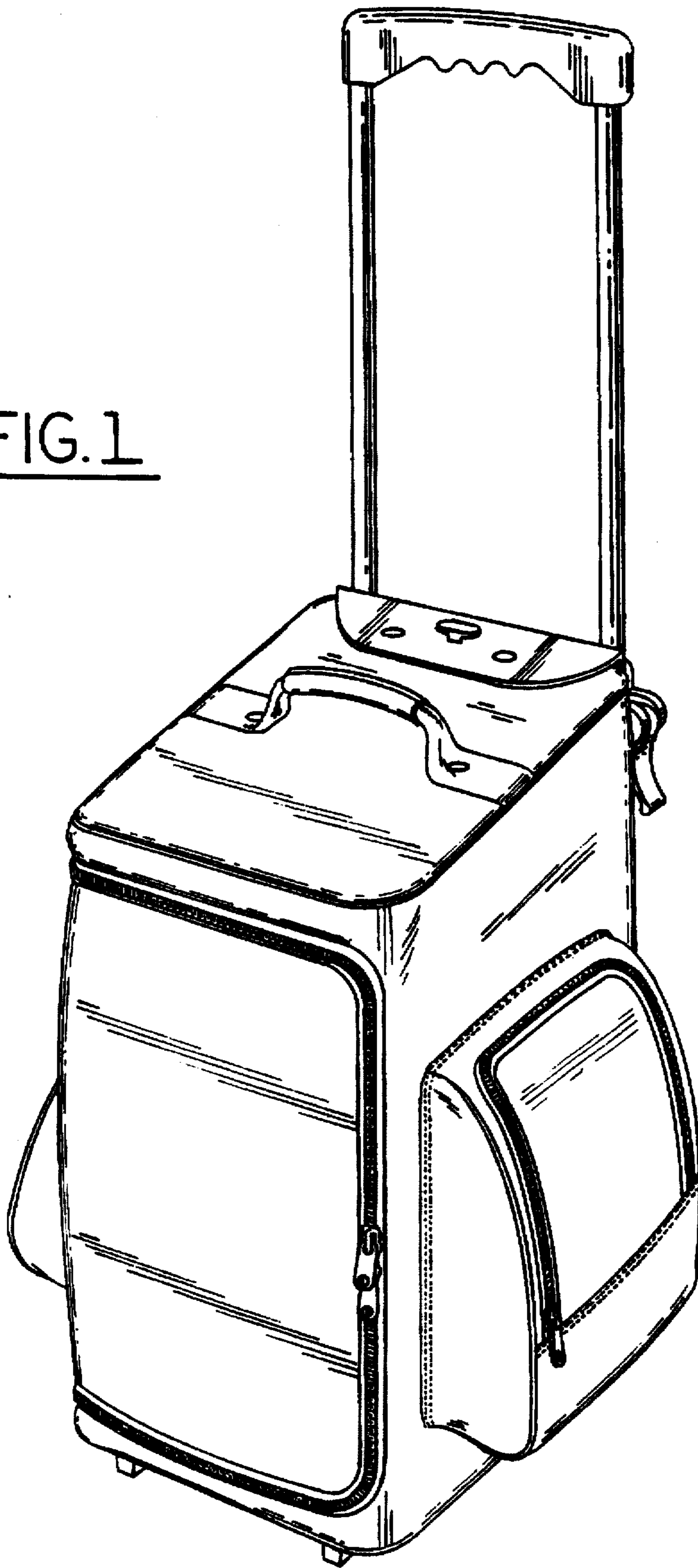


FIG. 3

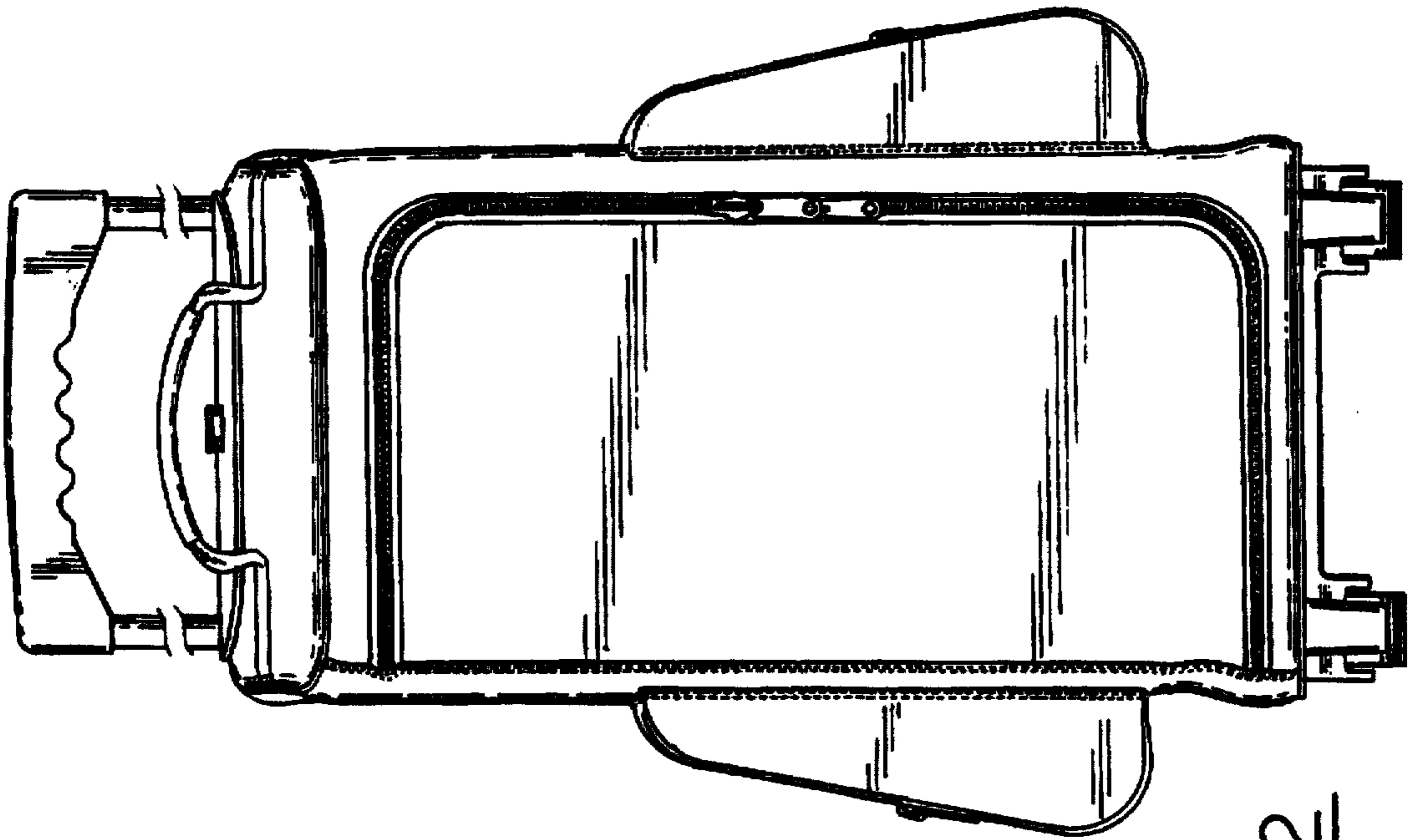
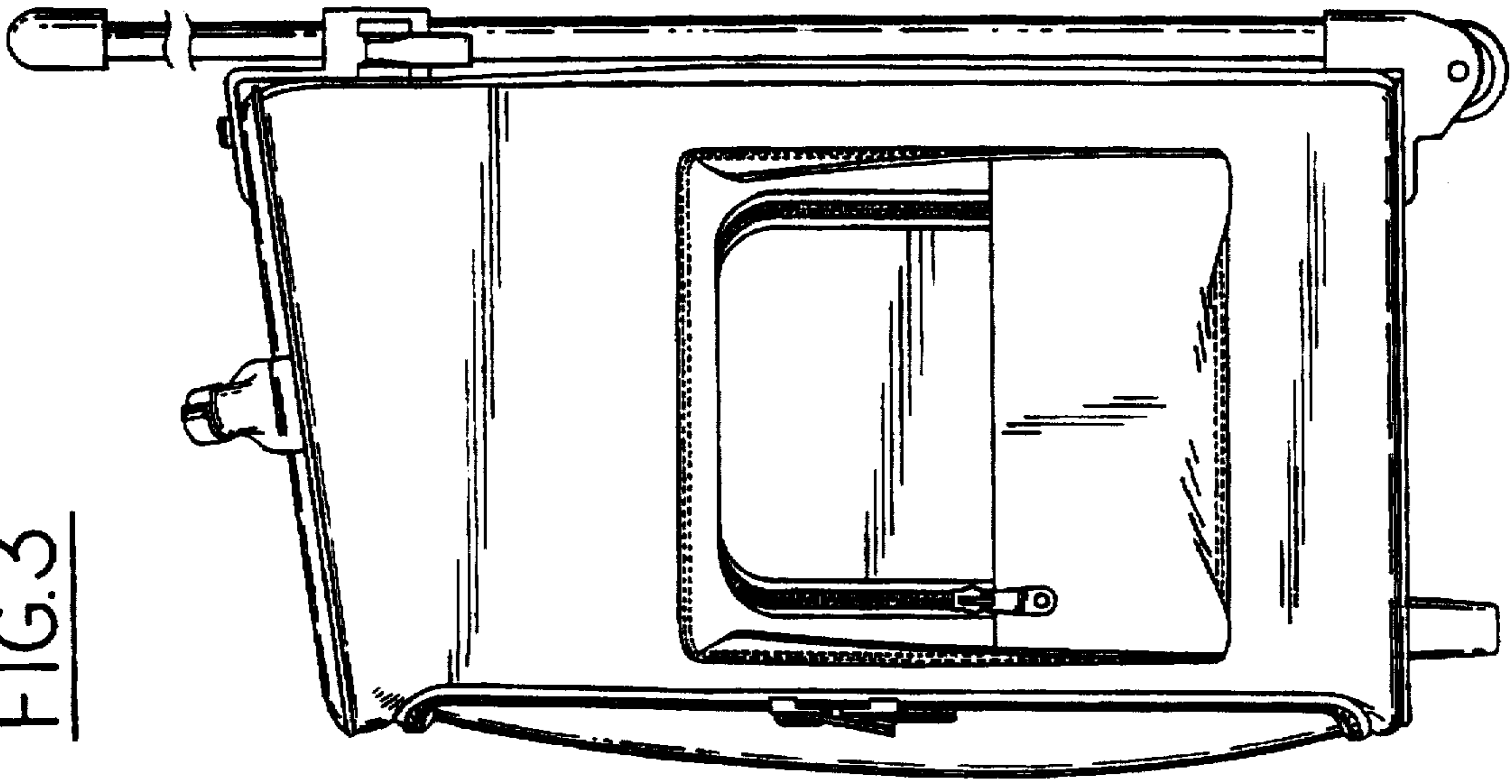


FIG. 2

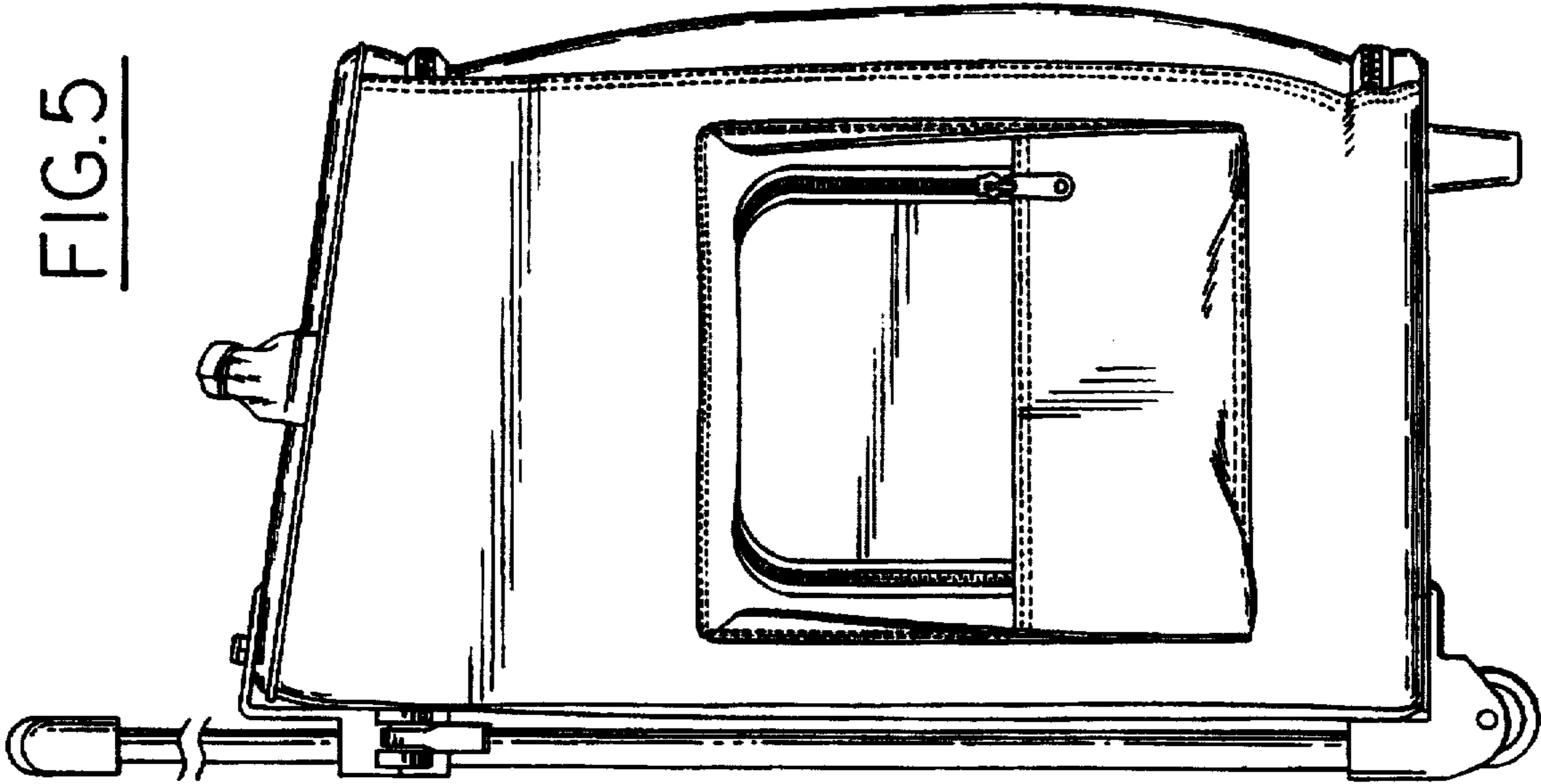


FIG. 5

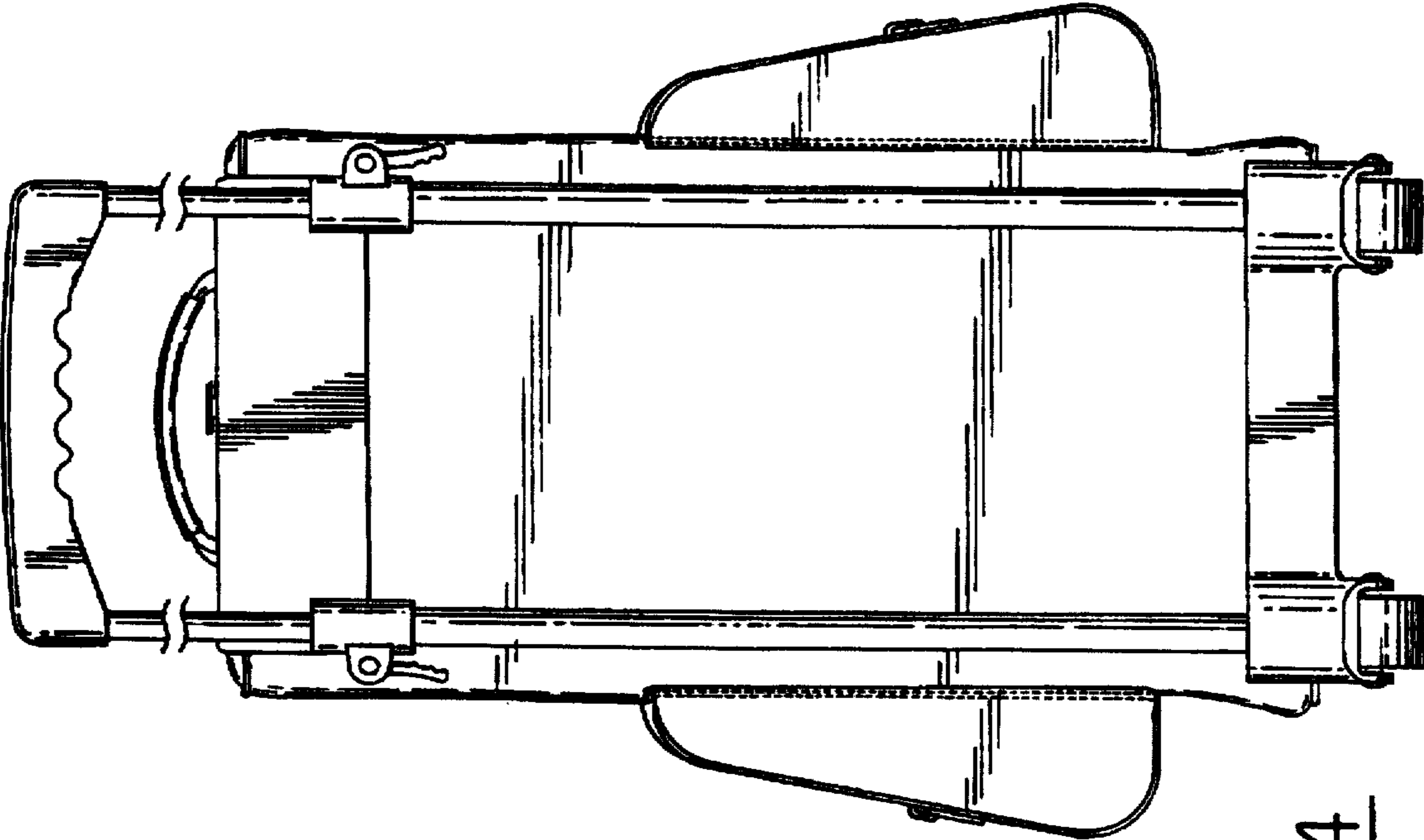


FIG. 4

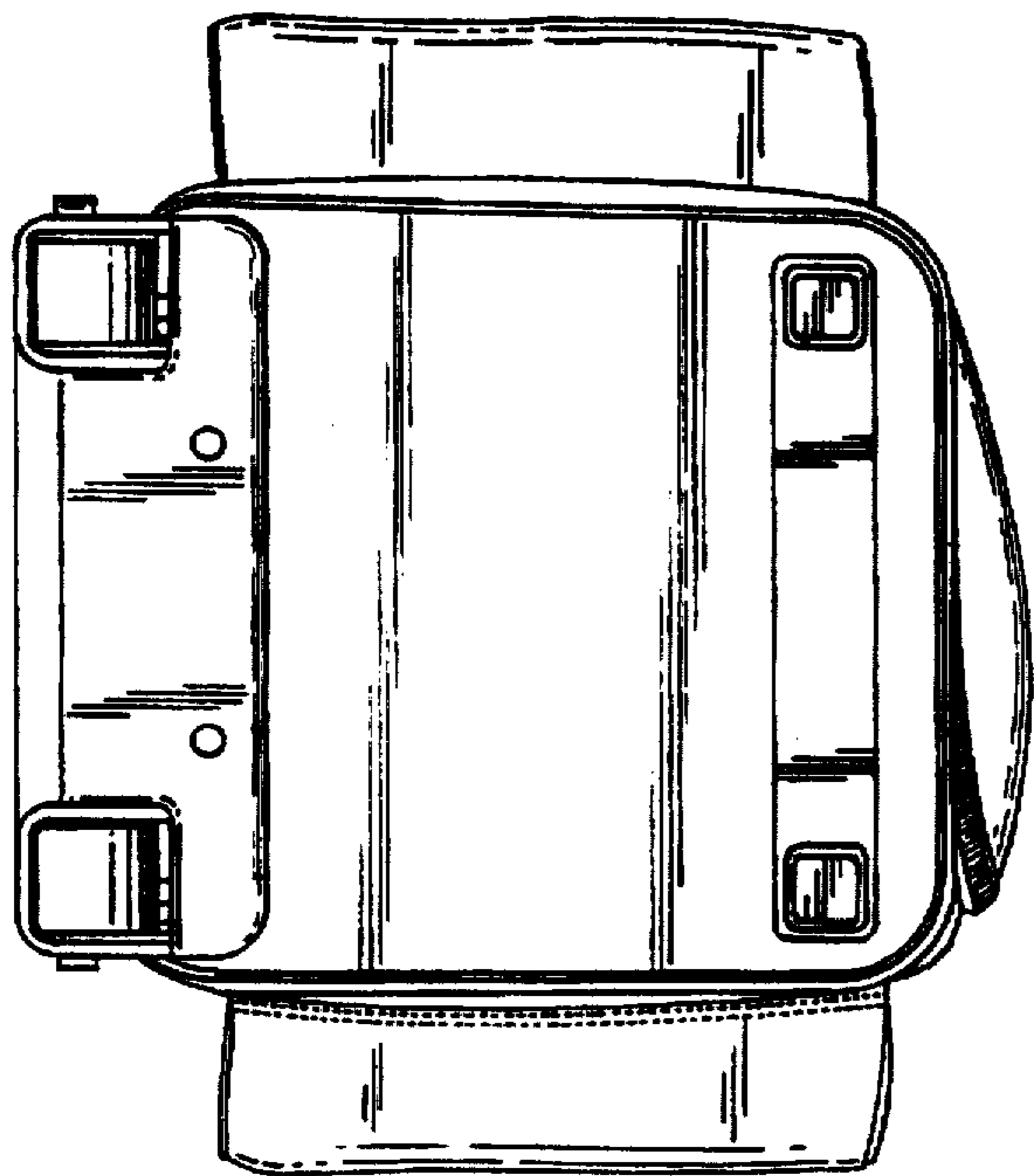


FIG. 7

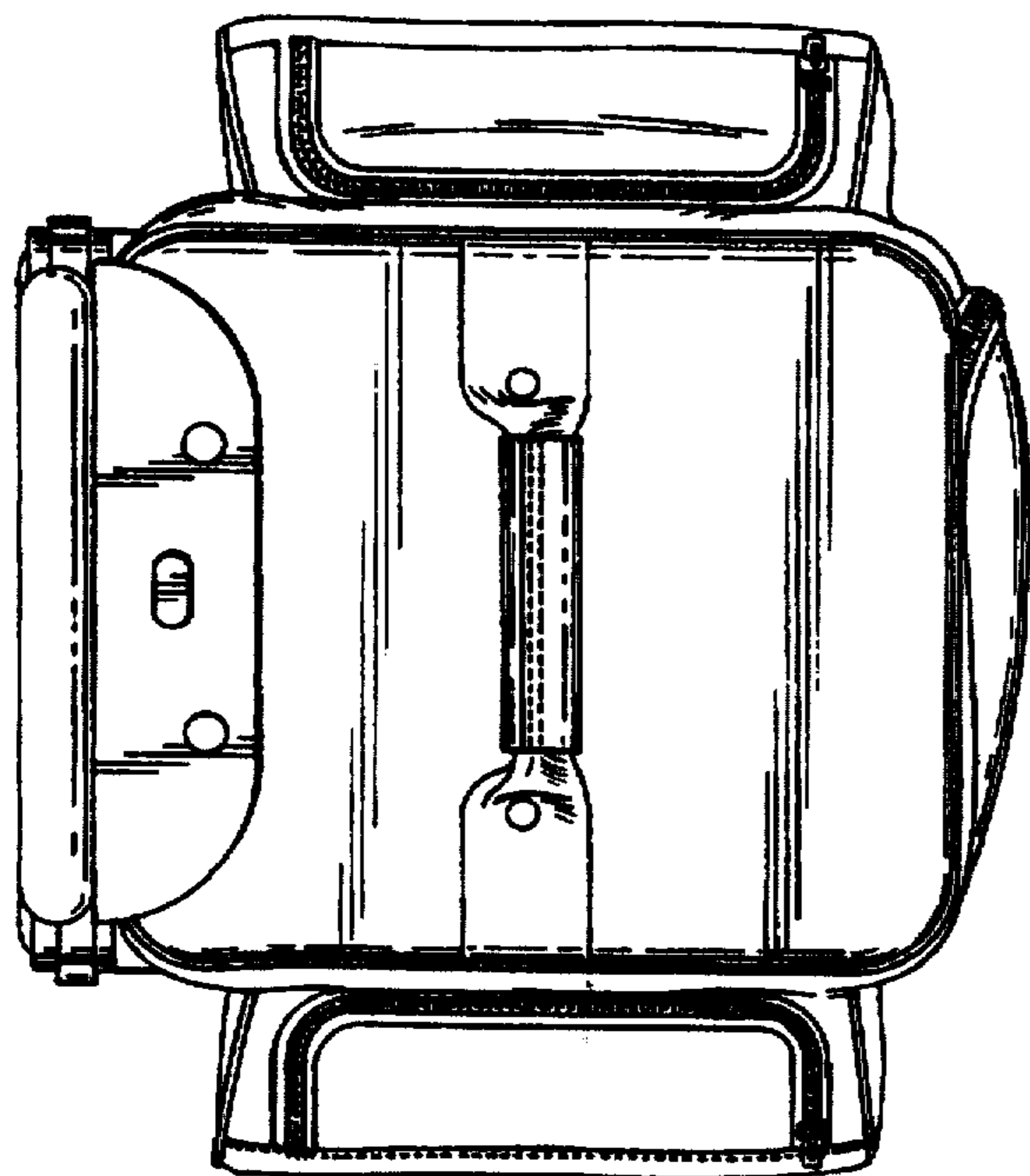


FIG. 6

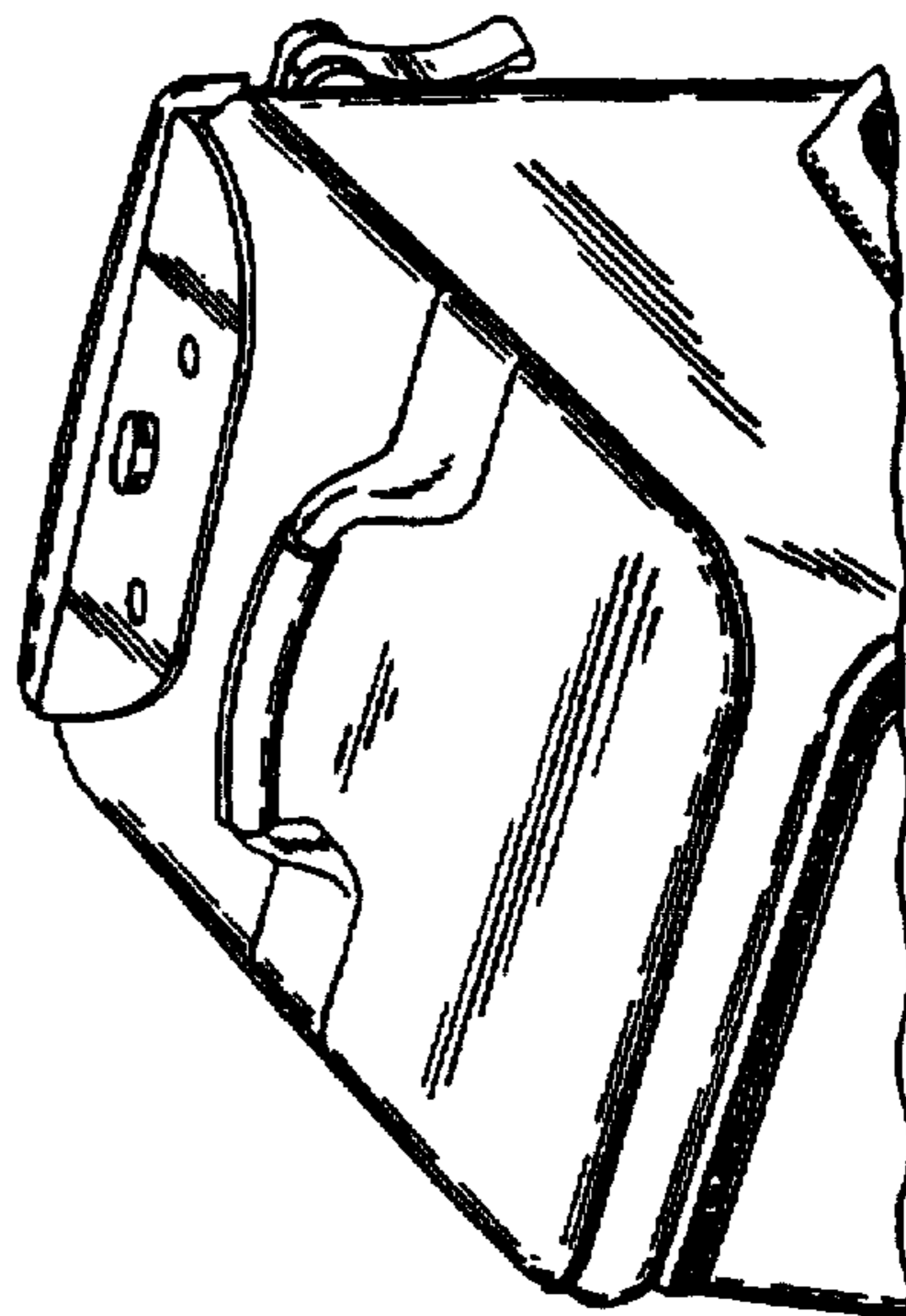


FIG. 8