



US00D387611S

**United States Patent** [19]  
**Wilson**

[11] **Patent Number: Des. 387,611**  
[45] **Date of Patent: \*\*Dec. 16, 1997**

[54] **STEM FOR AN ARTICLE OF GLASSWARE**

[75] **Inventor: Lorelei K. Wilson, Toledo, Ohio**

[73] **Assignee: Libbey Glass Inc., Toledo, Ohio**

[\*\*] **Term: 14 Years**

[21] **Appl. No.: 63,658**

[22] **Filed: Dec. 12, 1996**

[51] **LOC (6) Cl. .... 07-99**

[52] **U.S. Cl. .... D7/396.6; D7/572; D7/559;  
D7/396.2**

[58] **Field of Search .... D7/396.6, 392.1,  
D7/396.1, 396.2, 514, 515, 525, 537, 522,  
558, 559; D9/307, 333; D11/149**

[56] **References Cited**

**U.S. PATENT DOCUMENTS**

- D. 79,455 9/1929 Blunt ..... D9/333
- D. 98,490 2/1936 Bennett ..... D7/515
- D. 182,930 5/1958 Schiaparelli ..... D9/333

- D. 301,531 6/1989 Pitzer ..... D7/515
- D. 317,101 5/1991 Wenzl ..... D7/537
- D. 362,996 10/1995 Kong ..... D7/396.6

*Primary Examiner*—M. N. Pandozzi  
*Attorney, Agent, or Firm*—Emch, Schaffer, Schaub & Porcello Co., L.P.A.

[57] **CLAIM**

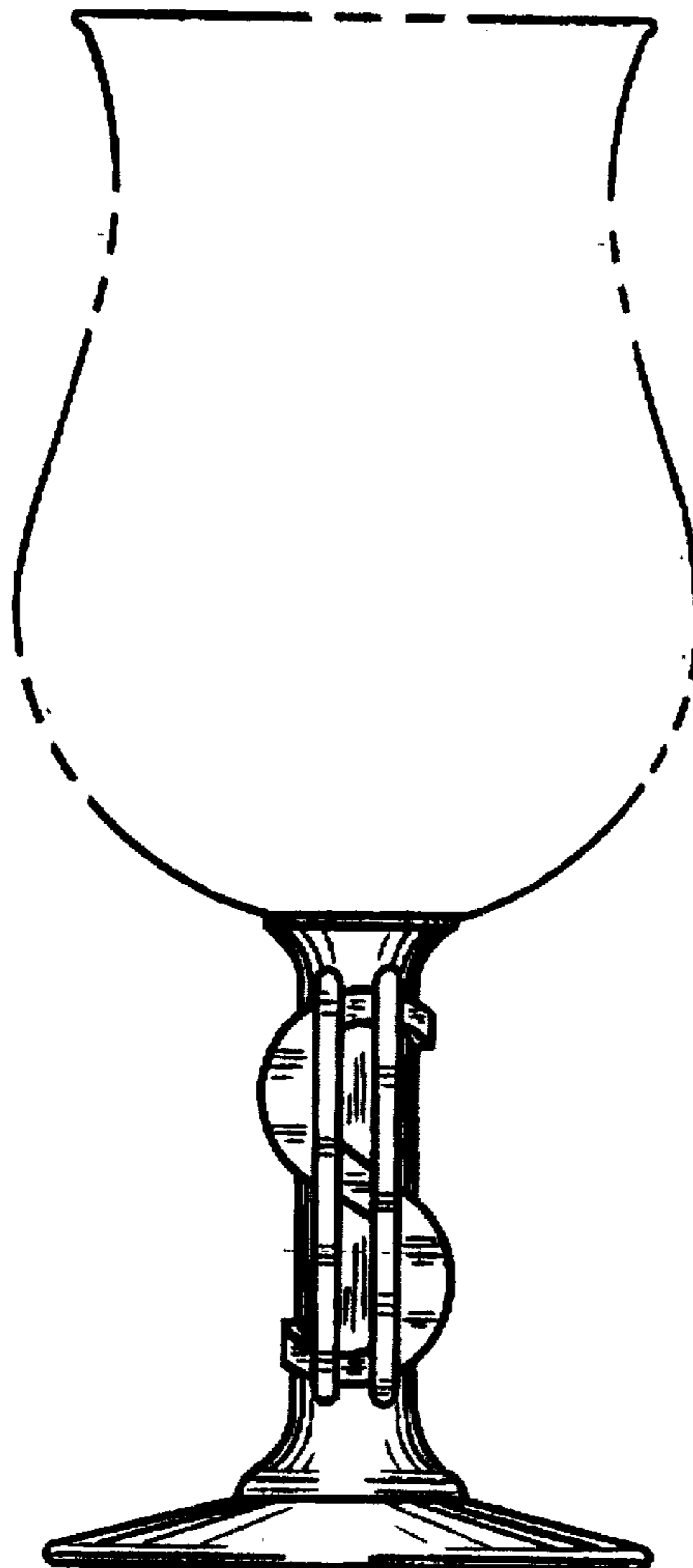
The ornamental design for a stem for an article of glassware, as shown and described.

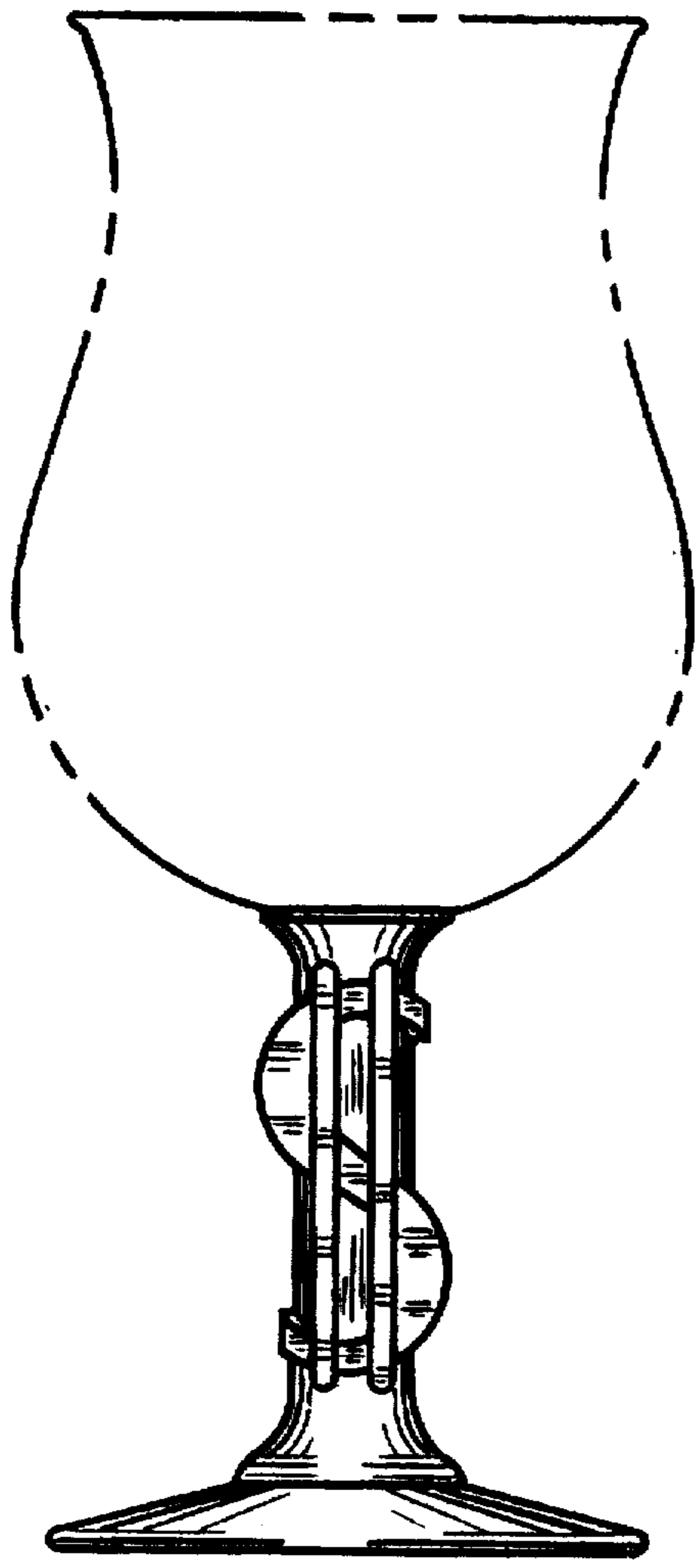
**DESCRIPTION**

FIG. 1 is a front elevational view of the present design; FIG. 2 is a side elevational view thereof; FIG. 3 is a rear elevational view thereof; FIG. 4 is a side elevational view thereof; FIG. 5 is a top view thereof; and, FIG. 6 is a bottom view thereof.

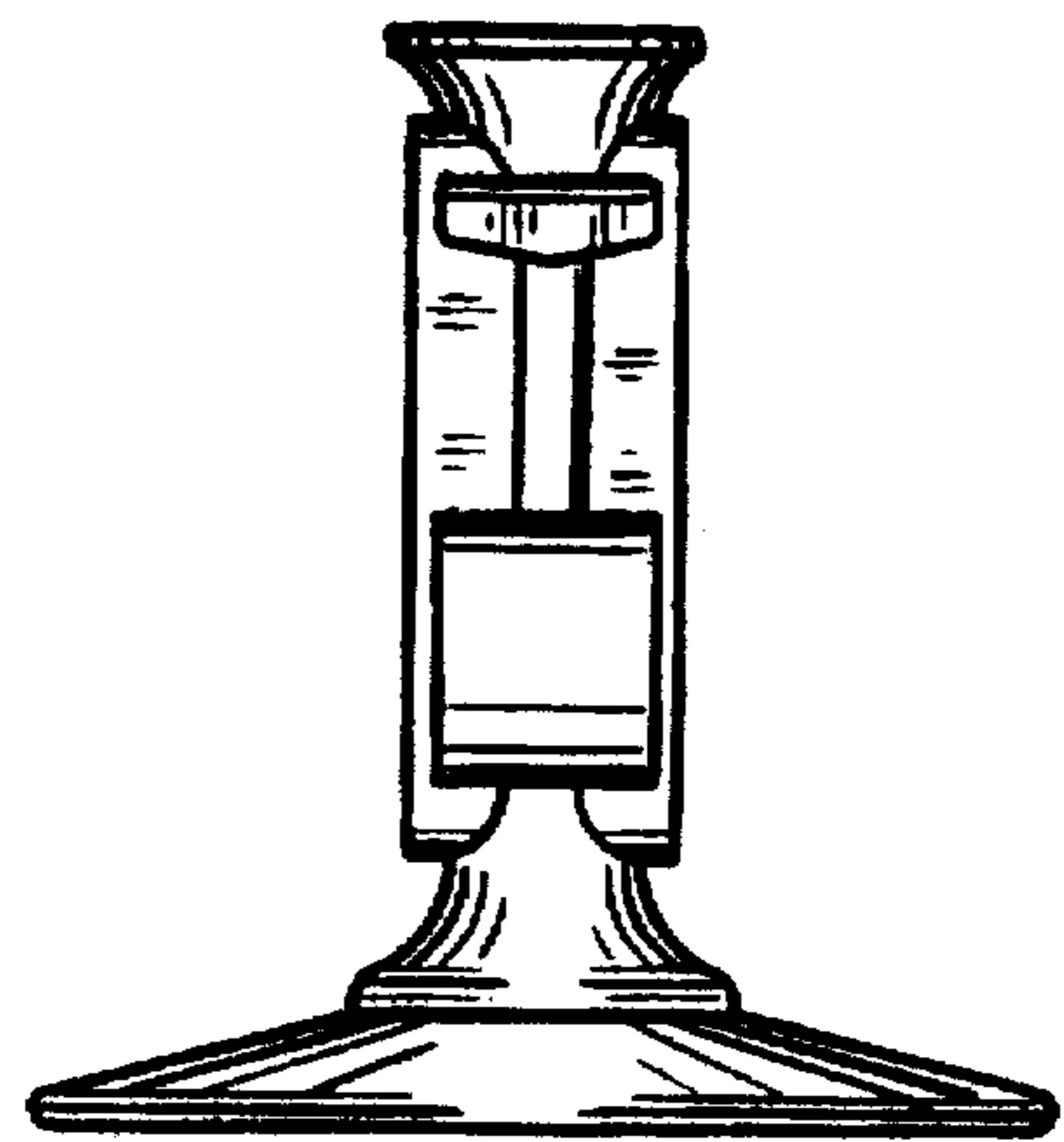
The broken line showing of the bowl in FIG. 1 is illustrative of environmental structure only and forms no part of the claimed design.

**1 Claim, 3 Drawing Sheets**

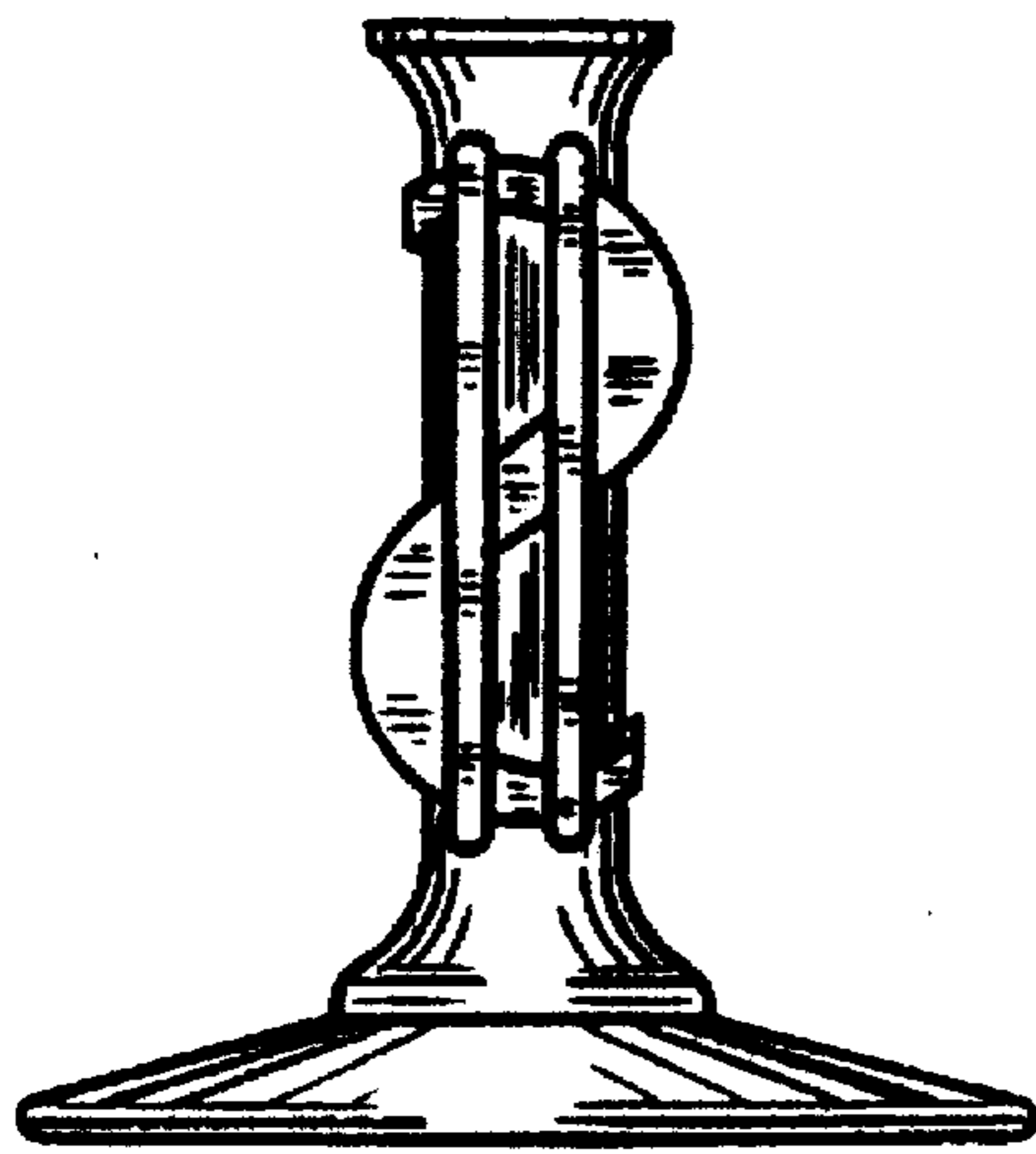




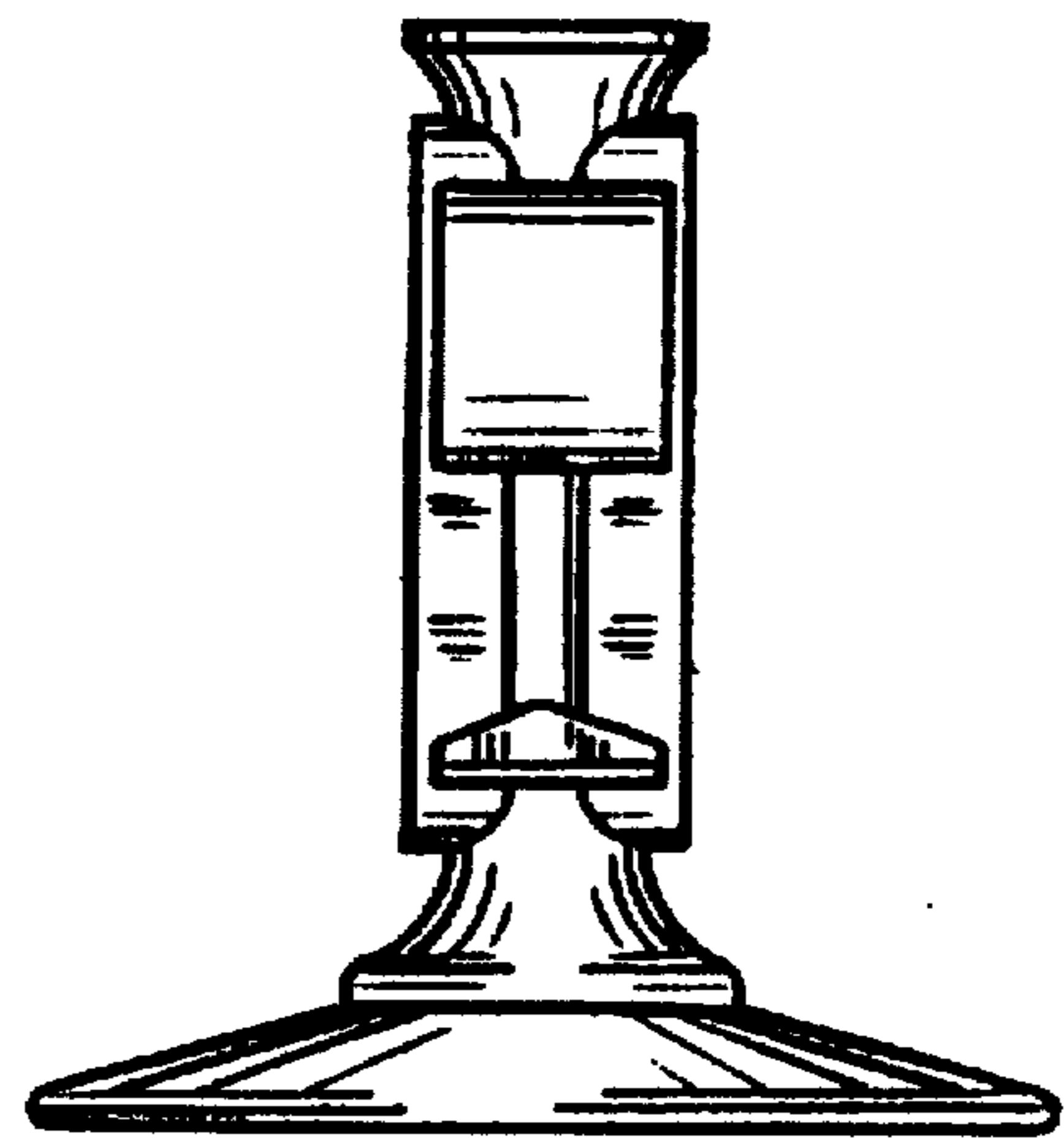
—FIG. 1



—FIG. 2



—FIG. 3



—FIG. 4

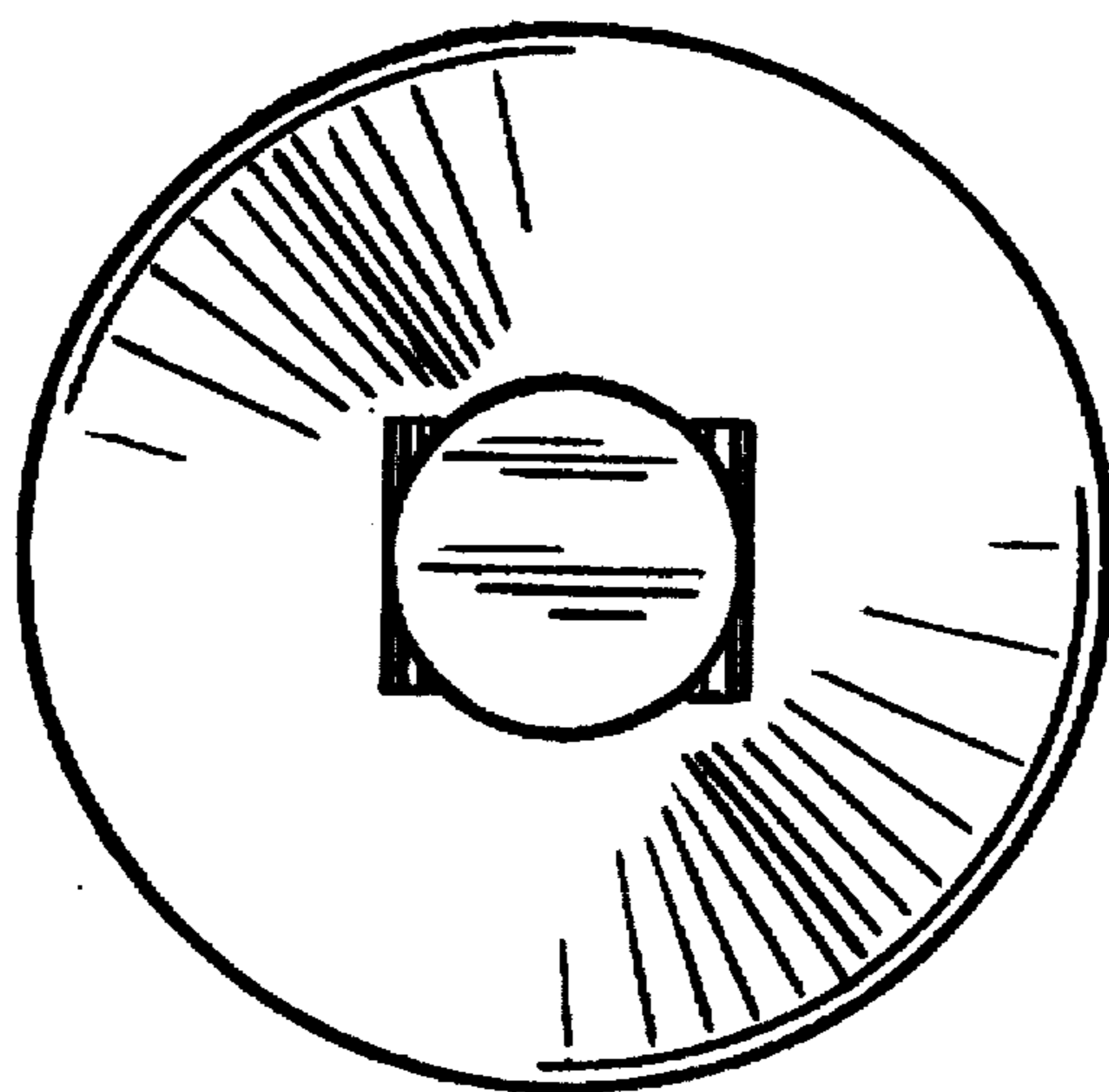


FIG. 5

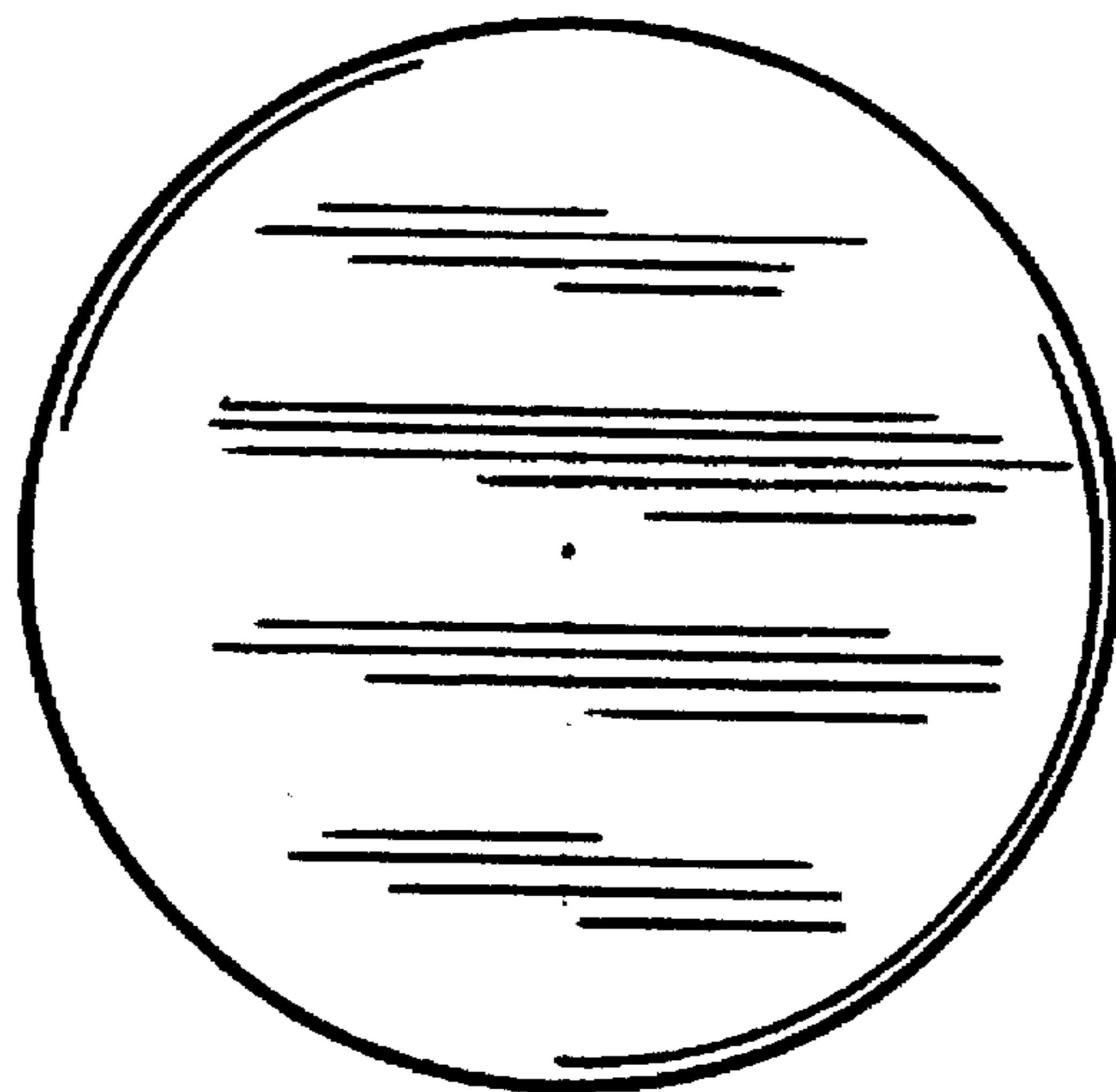


FIG. 6