

US00D387610S

United States Patent [19]
Hippen et al.

[11] **Patent Number: Des. 387,610**

[45] **Date of Patent: **Dec. 16, 1997**

[54] **STAND MIXER**

[75] **Inventors: Jan Hippen, Portland, Oreg.; Julius Lucaci, Wheeling, Ill.**

[73] **Assignee: Black & Decker Inc., Newark, Del.**

[**] **Term: 14 Years**

[21] **Appl. No.: 62,870**

[22] **Filed: Nov. 29, 1996**

[51] **LOC (6) Cl. 31-00**

[52] **U.S. Cl. D7/379; D7/376**

[58] **Field of Search D7/376-386, 309, D7/310, 412-415; 366/129, 130, 142, 197, 199, 204, 205, 279, 314**

[56] **References Cited**

U.S. PATENT DOCUMENTS

| | | | |
|------------|---------|---------------------|----------|
| D. 189,936 | 3/1961 | Grange | D7/379 |
| D. 209,072 | 10/1967 | Duncan | D7/379 |
| D. 239,758 | 5/1976 | Claxton et al. | D7/309 |
| D. 265,042 | 6/1982 | Hanson et al. | D7/309 |
| D. 279,858 | 7/1985 | Janssens | D7/412 |
| D. 284,633 | 7/1986 | Viancin | D7/379 |
| D. 286,258 | 10/1986 | Grange | D7/379 |
| D. 314,883 | 2/1991 | Naft | D7/379 |
| D. 315,473 | 3/1991 | Copeland | D7/379 |
| D. 354,878 | 1/1995 | Lin | D7/310 X |

OTHER PUBLICATIONS

Undated Catalog, p. 53, Rival Mixers, upper half of page, Catalog name unknown.

Primary Examiner—Caron D. Veynar
Attorney, Agent, or Firm—Barry E. Deutsch

[57] **CLAIM**

The ornamental design for stand mixer, as shown and described.

DESCRIPTION

FIG. 1 is a perspective view of our new design of a stand mixer;

FIG. 2 is a front elevational view of our new design of the stand mixer;

FIG. 3 is a rear elevational view of our new design of the stand mixer;

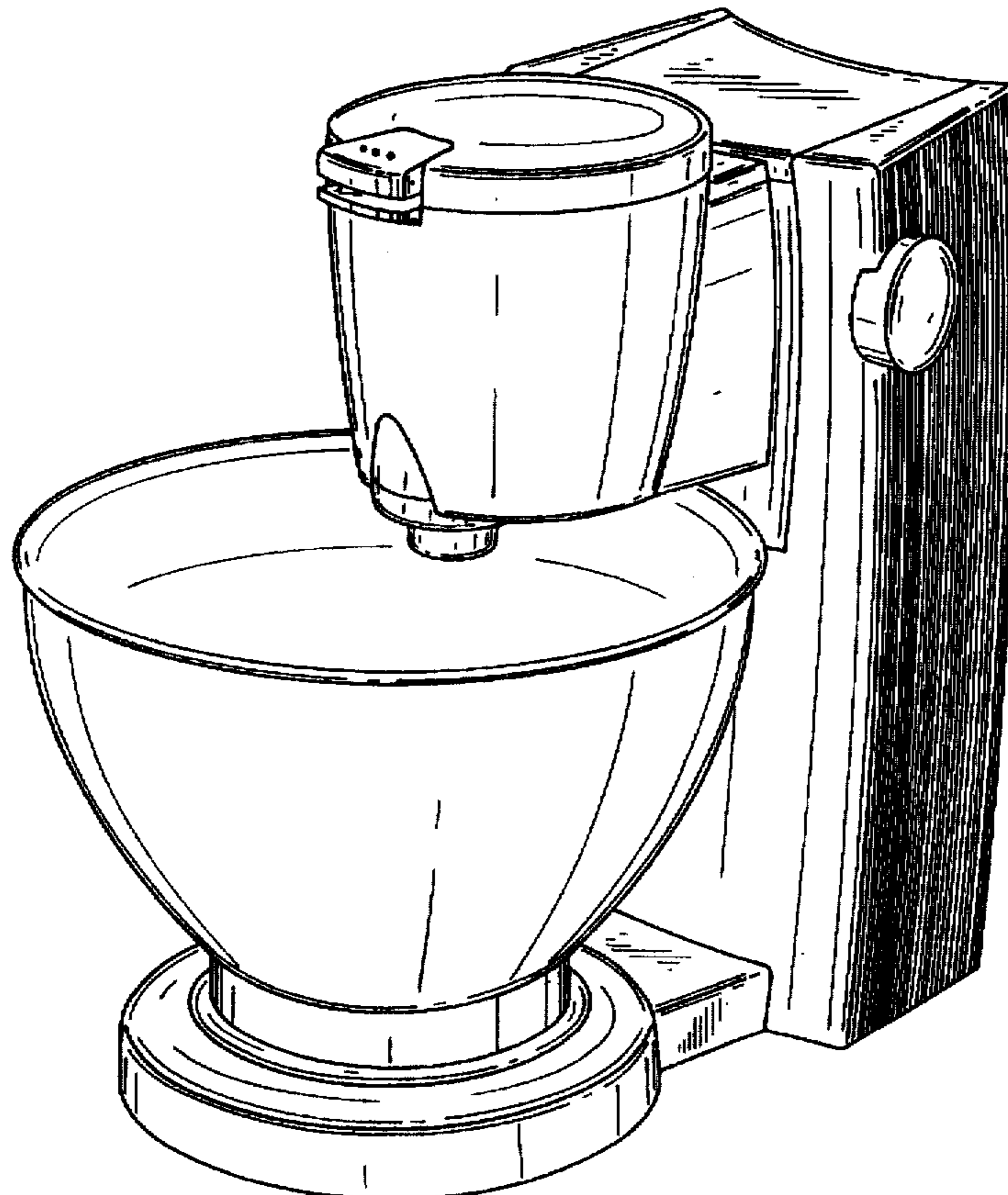
FIG. 4 is a right side elevational view of our new design of the stand mixer;

FIG. 5 is a left side elevational view of our new design of the stand mixer;

FIG. 6 is a top plan view of our new design of the stand mixer; and,

FIG. 7 is a bottom plan view of our new design of the stand mixer.

1 Claim, 4 Drawing Sheets



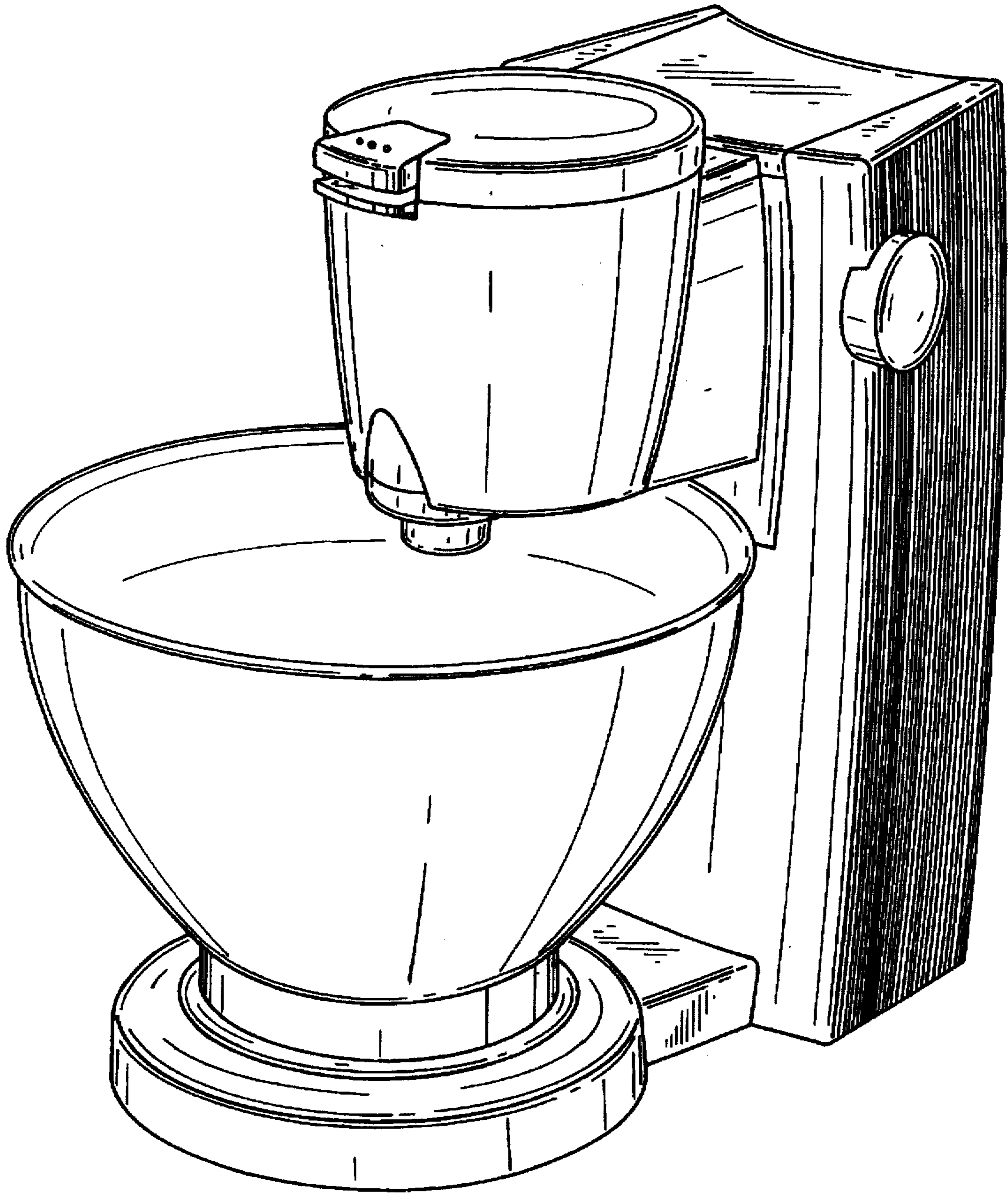


FIG. 1

FIG. 3

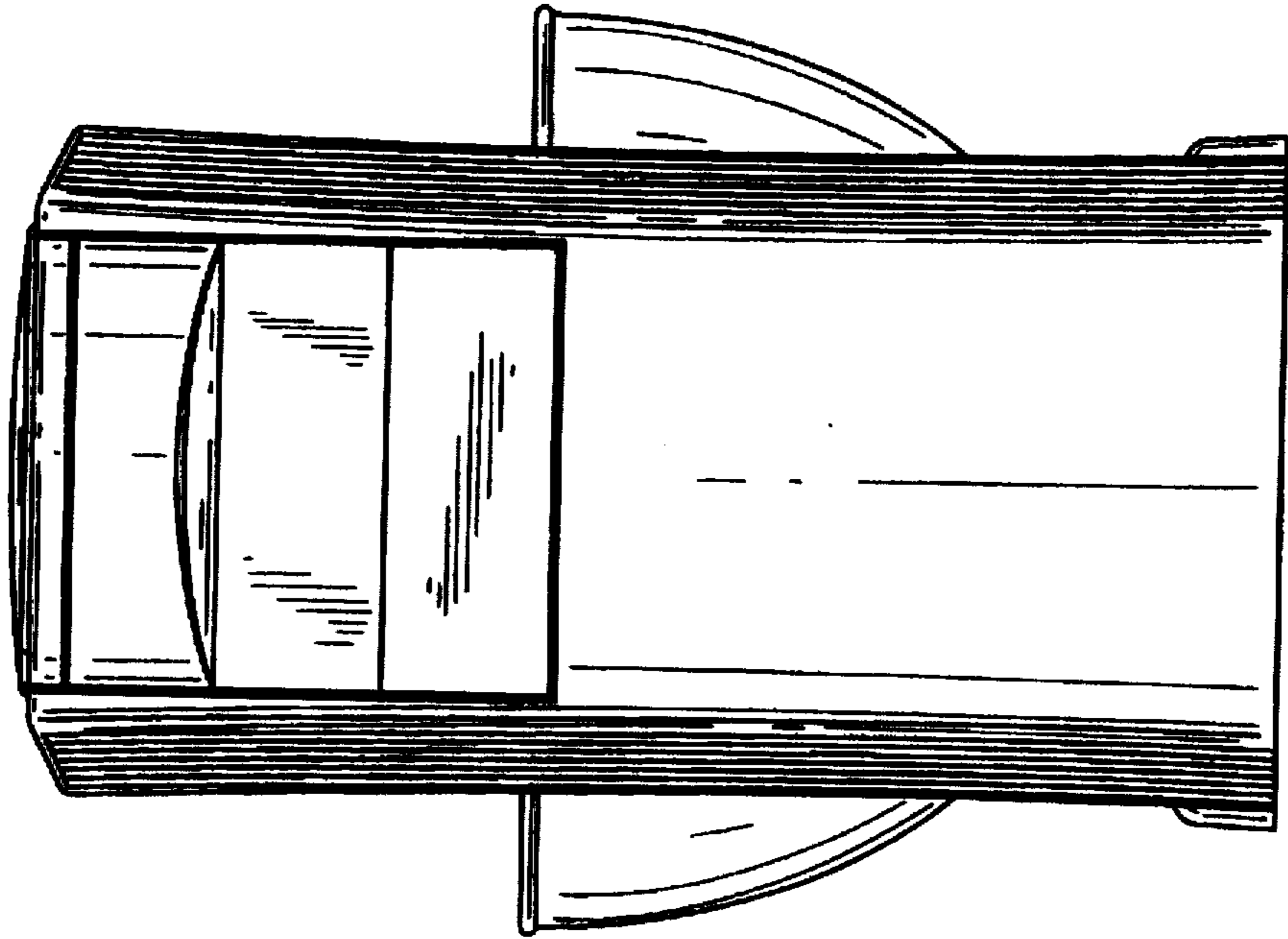
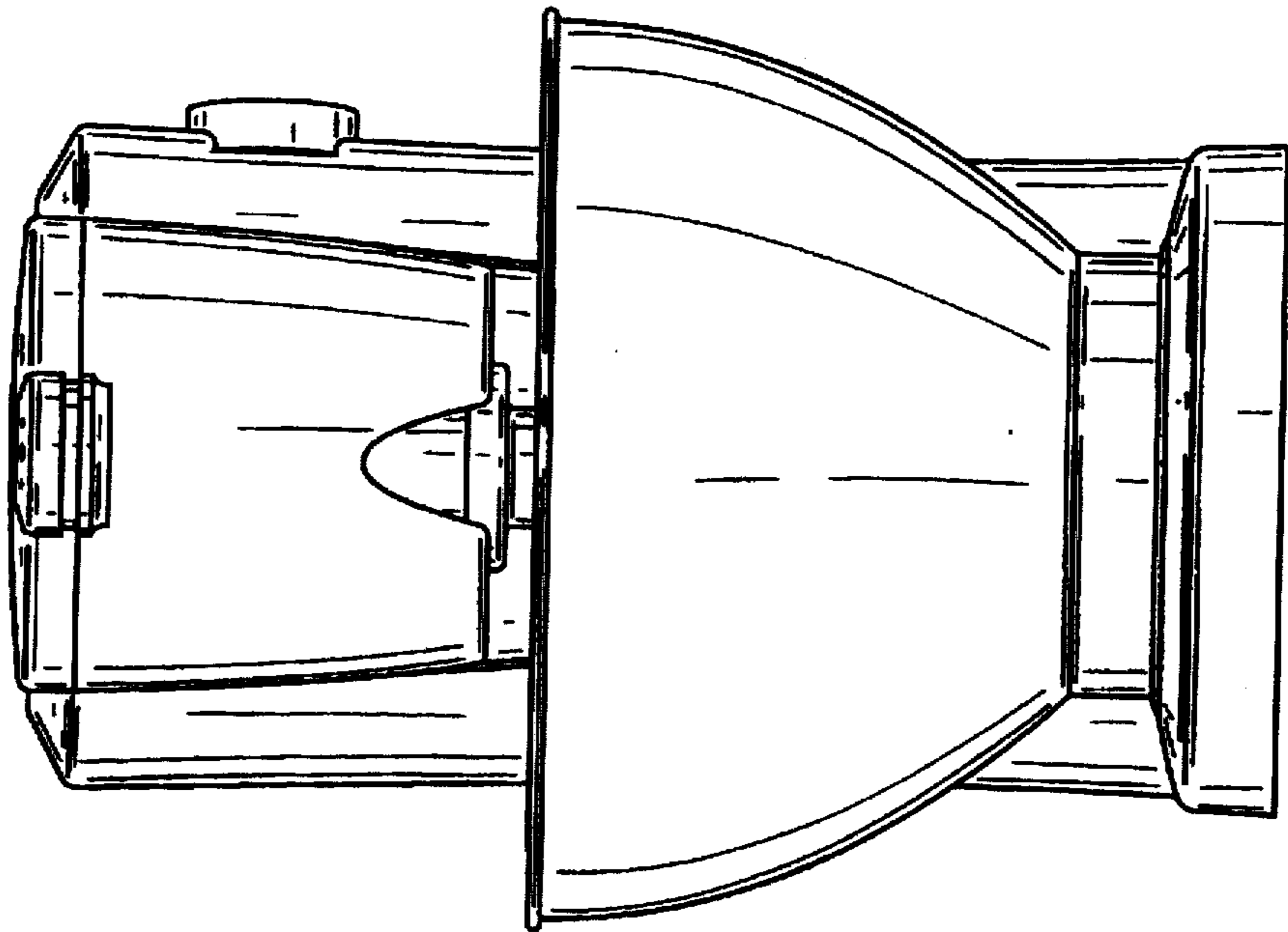


FIG. 2



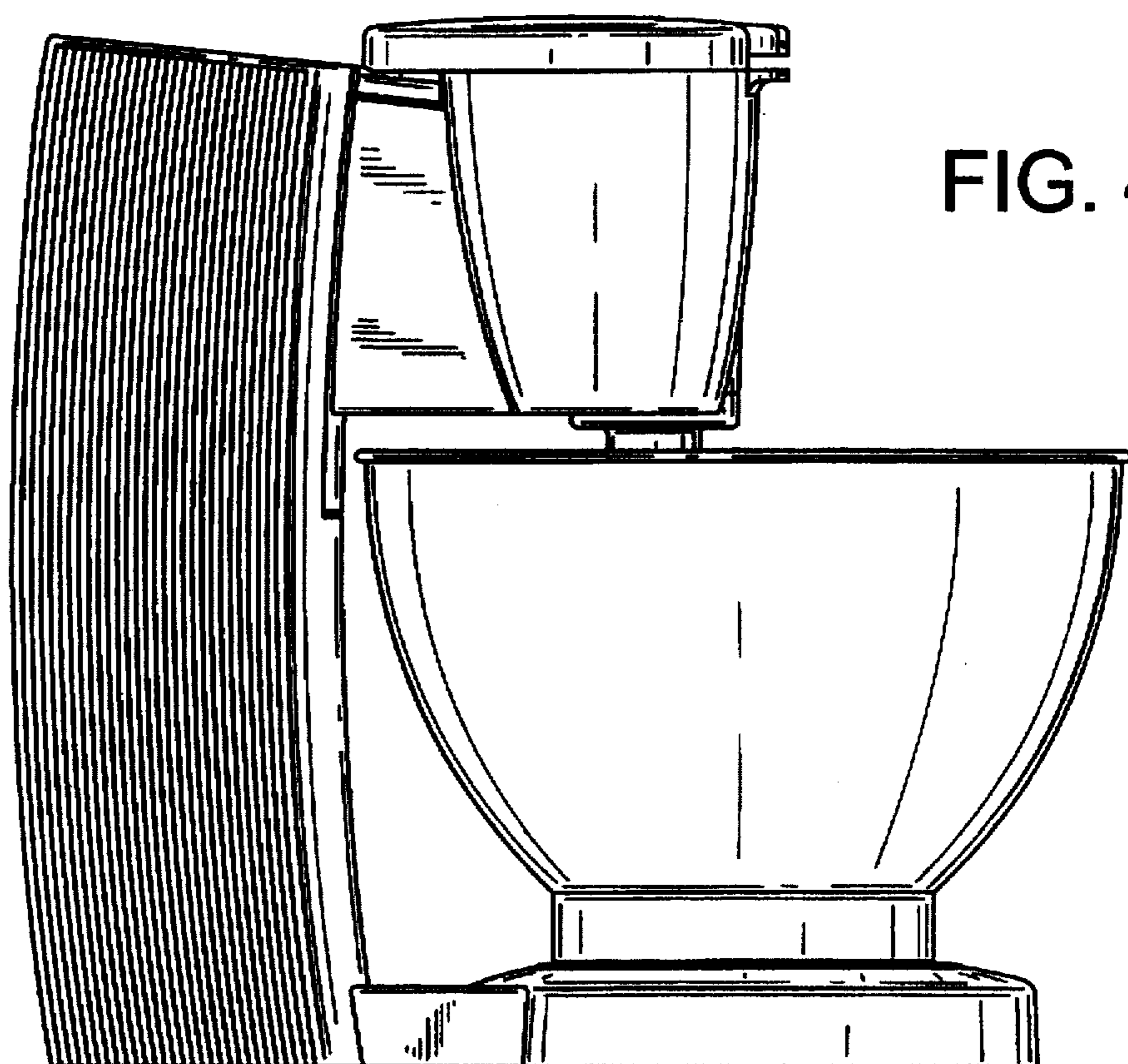


FIG. 4

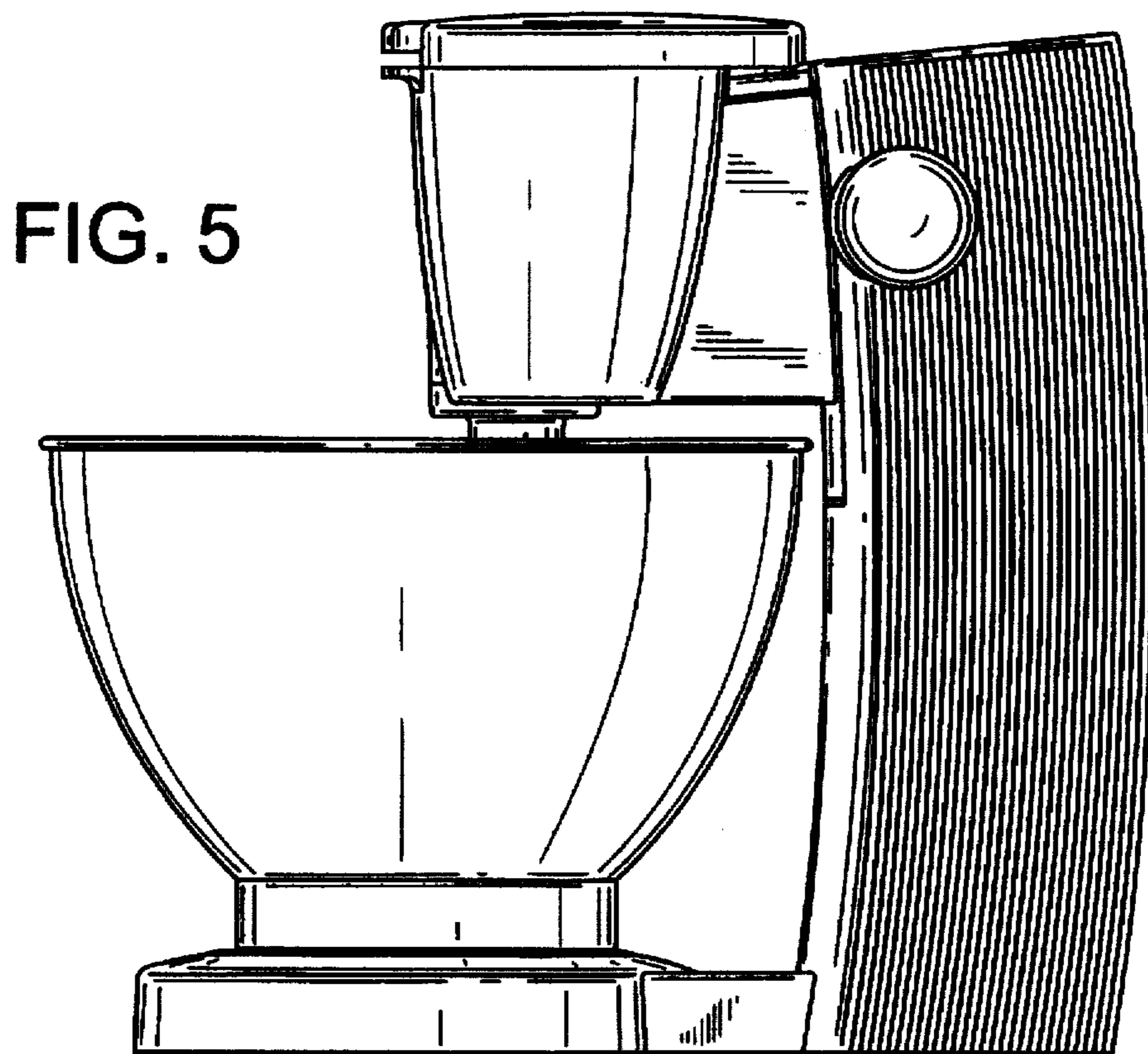


FIG. 5

FIG. 7

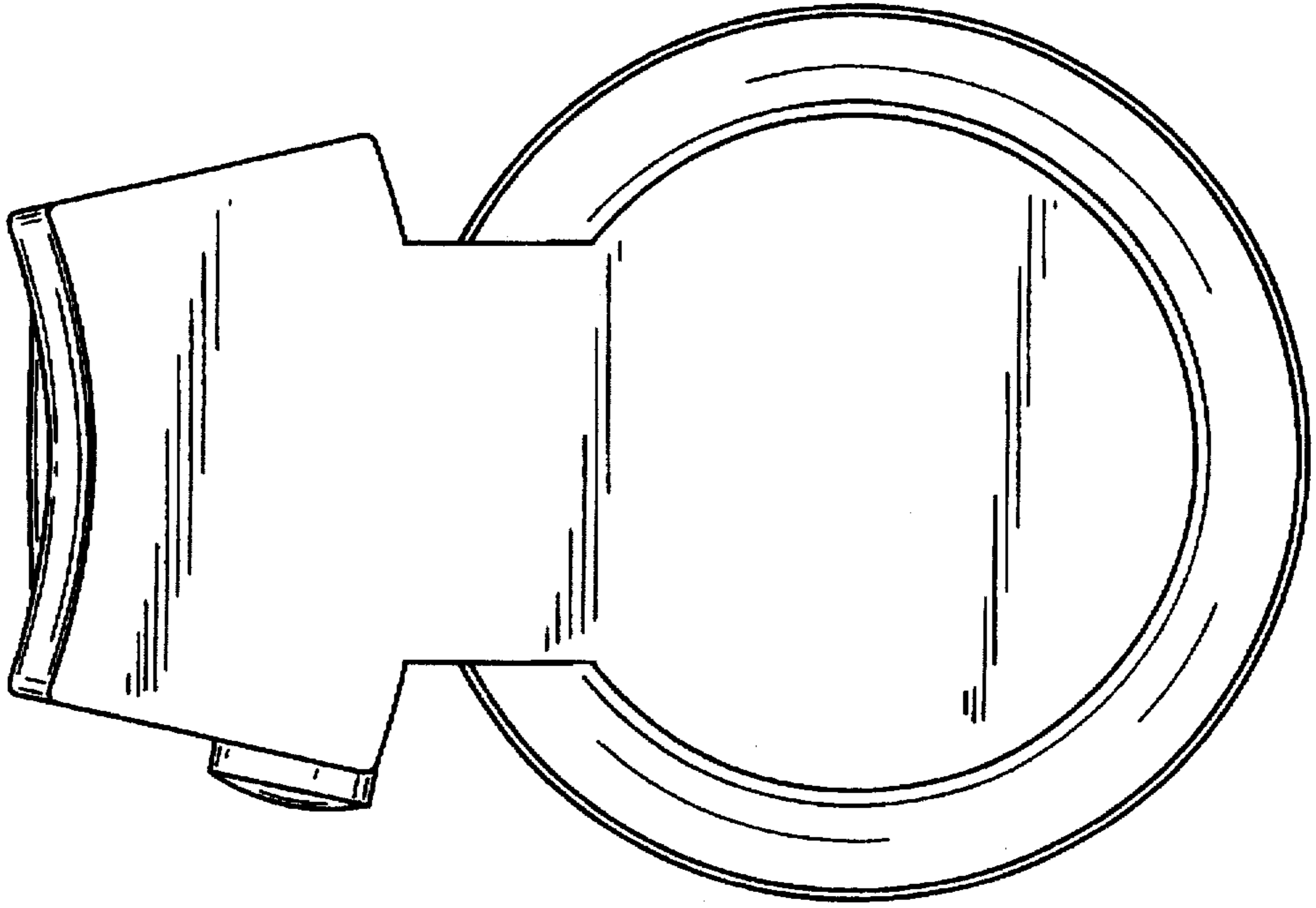
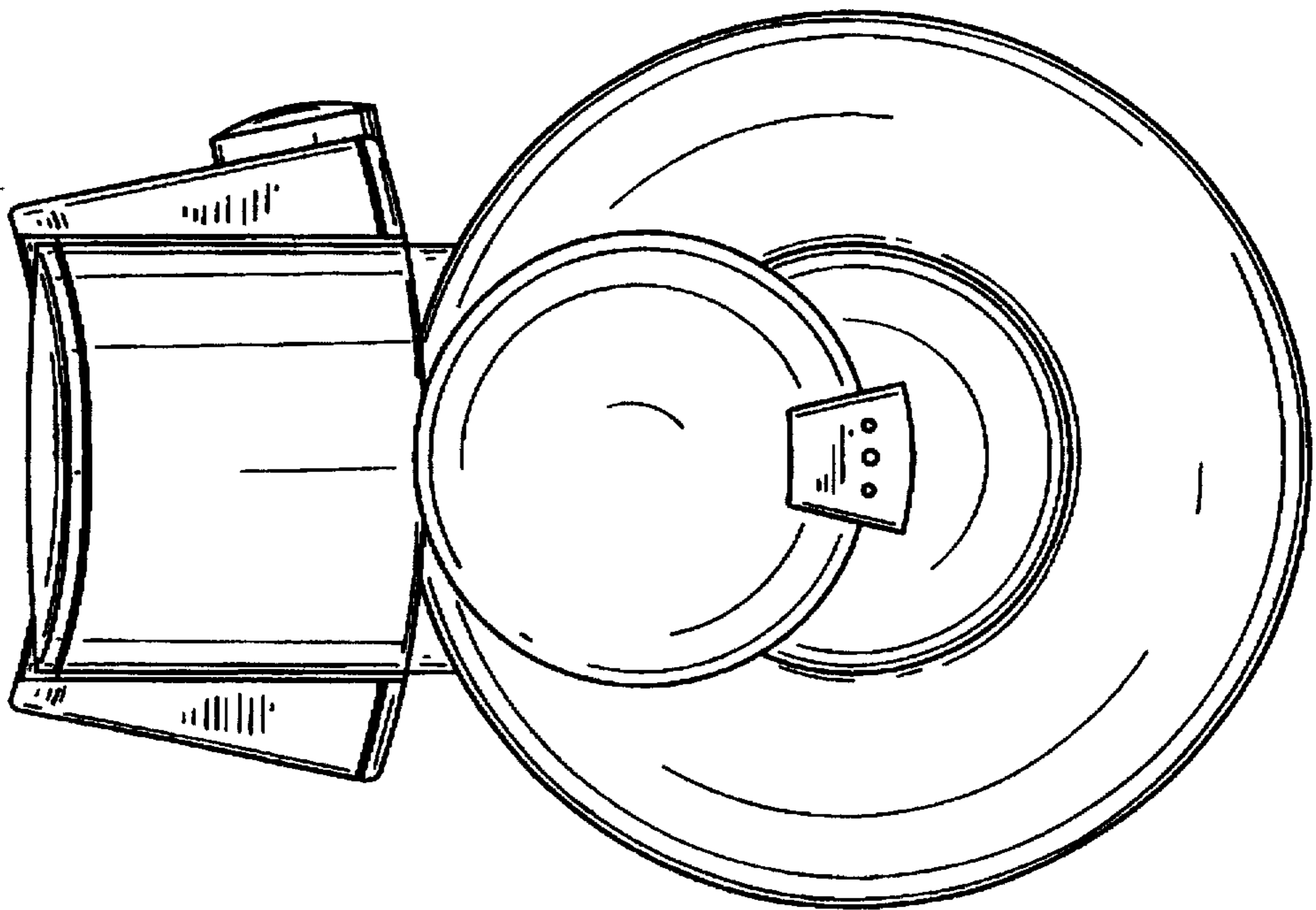


FIG. 6



UNITED STATES PATENT AND TRADEMARK OFFICE
CERTIFICATE OF CORRECTION

PATENT NO. : Des. 387,610
APPLICATION NO. : 29/062870
DATED : December 16, 1997
INVENTOR(S) : Jan Hippen et al.

Page 1 of 1

It is certified that error appears in the above-identified patent and that said Letters Patent is hereby corrected as shown below:

Face page, [75] Please correct application No. 29/062,869 filed November 29, 1996, now Des. Patent No. 387,618 by deleting "**Julius**" and replace with --"**Tulius**"--.

Signed and Sealed this

Eleventh Day of December, 2007

A handwritten signature in black ink on a light gray dotted background. The signature reads "Jon W. Dudas" in a cursive style.

JON W. DUDAS

Director of the United States Patent and Trademark Office