



US00D387608S

# United States Patent [19] Kelly et al.

[11] Patent Number: **Des. 387,608**

[45] Date of Patent: **\*\*Dec. 16, 1997**

## [54] ELECTRIC GRILL

[75] Inventors: **Roger L. Kelly**, Eau Claire; **Lee Dennis King**, Chippewa Falls, both of Wis.

[73] Assignee: **National Presto Industries, Inc.**, Eau Claire, Wis.

[\*\*] Term: **14 Years**

[21] Appl. No.: **47,204**

[22] Filed: **Sep. 29, 1995**

### Related U.S. Application Data

[63] Continuation-in-part of Ser. No. 40,947, Jun. 30, 1995.

[51] LOC (6) Cl. .... **07-02**

[52] U.S. Cl. .... **D7/334**

[58] Field of Search ..... **D7/332-337, 348, D7/350; 126/25 R, 25 A, 25 AA, 26, 275 R; 99/419, 421 R, 467, 482, 2, 356, 341, 200; D23/332, 336; D32/33**

### [56] References Cited

#### U.S. PATENT DOCUMENTS

- D. 358,059 5/1995 Peterson et al. .... D7/334
- D. 361,466 8/1995 Peterson et al. .... D7/334

#### OTHER PUBLICATIONS

HFD, September 23, 1985, p. 74, "Nordic Ware's portable grill" top right side of page, Sep. 1985.

Service Merchandise catalog showing Sunbeam gas grill, front cover and back cover, copyright 1995.

Service Merchandise catalog entitled "1994/1995 Jewelry and General Merchandise Catalog," front cover, back cover, binding, and pp. 496 and 497, showing various grills.

Best Products catalog entitled "Jewelry and General Merchandise Catalog 1993/94," front cover, back cover, binding and p. 443, showing various grills.

Best Products catalog entitled "Jewelry and General Merchandise Catalog 1994/95," front cover back cover, binding, and pp. 486 and 487, showing various grills.

*Primary Examiner*—Ruth McInroy  
*Attorney, Agent, or Firm*—Merchant, Gould, Smith, Edell, Welter & Schmidt, P.A.

## [57] CLAIM

The ornamental design for an electric grill, as shown.

## DESCRIPTION

FIG. 1 is a perspective view of a first embodiment of an electric grill showing our new design;

FIG. 2 is a front elevational view of the first embodiment;

FIG. 3 is a rear elevational view of the first embodiment;

FIG. 4 is a right side elevational view of the first embodiment;

FIG. 5 is a left side elevational view of the first embodiment;

FIG. 6 is a top plan view of the first embodiment;

FIG. 7 is a bottom plan view of the first embodiment;

FIG. 8 is a perspective view of a second embodiment of an electric grill showing our new design;

FIG. 9 is a front elevational view of the second embodiment;

FIG. 10 is a rear elevational view of the second embodiment;

FIG. 11 is a right side elevational view of the second embodiment;

FIG. 12 is a left side elevational view of the second embodiment;

FIG. 13 is a top plan view of the second embodiment; and,

FIG. 14 is a bottom plan view of the second embodiment.

**1 Claim, 13 Drawing Sheets**

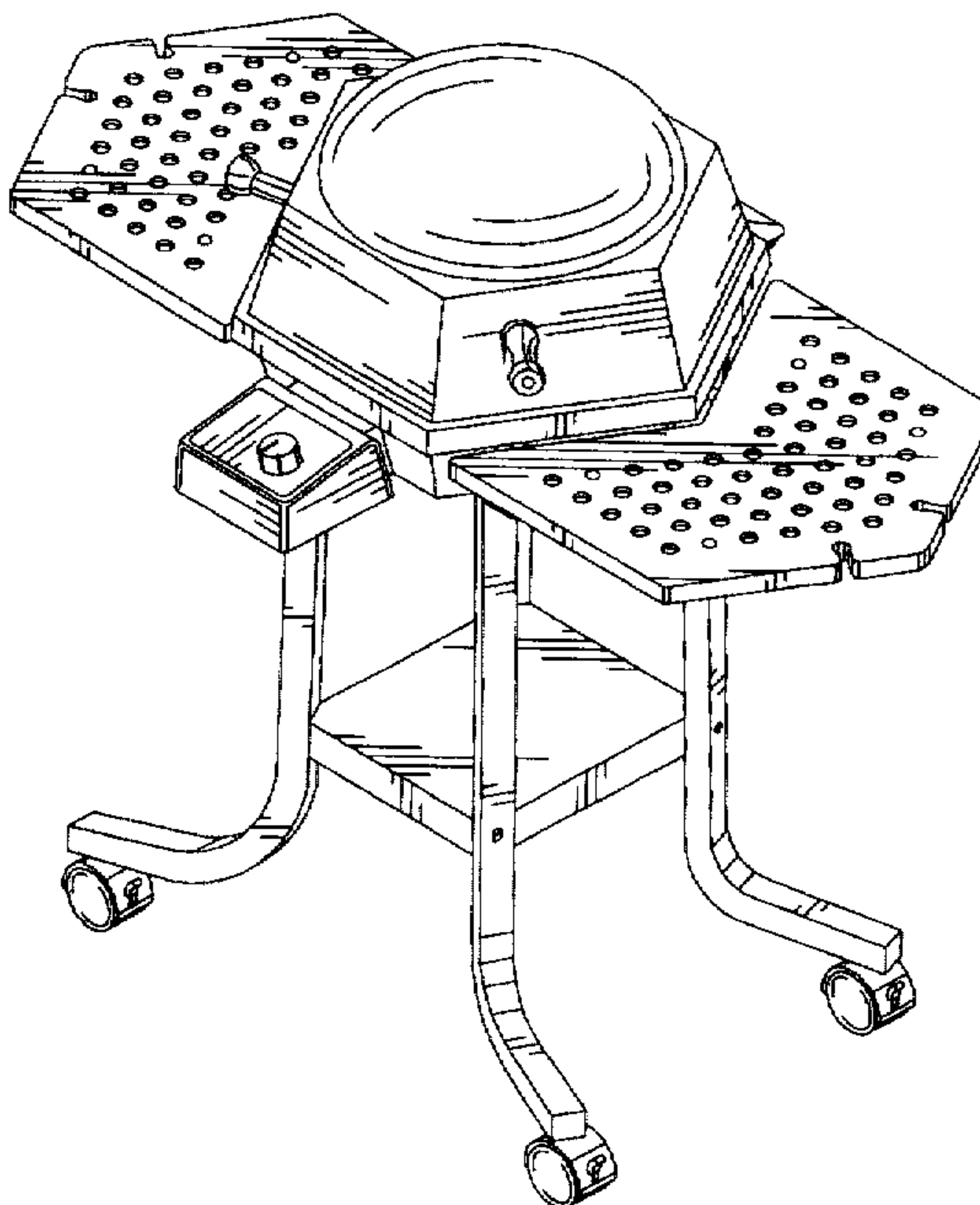
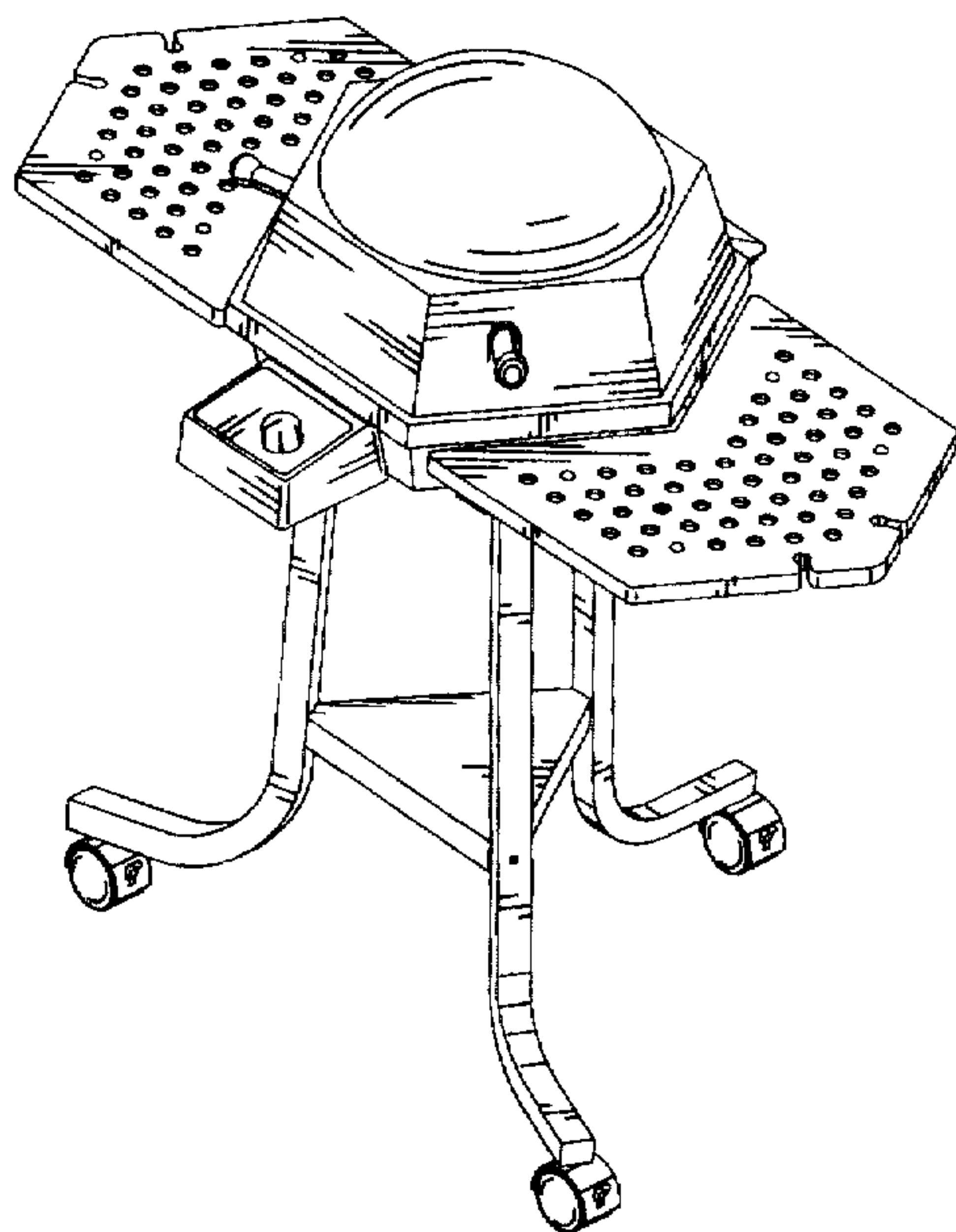
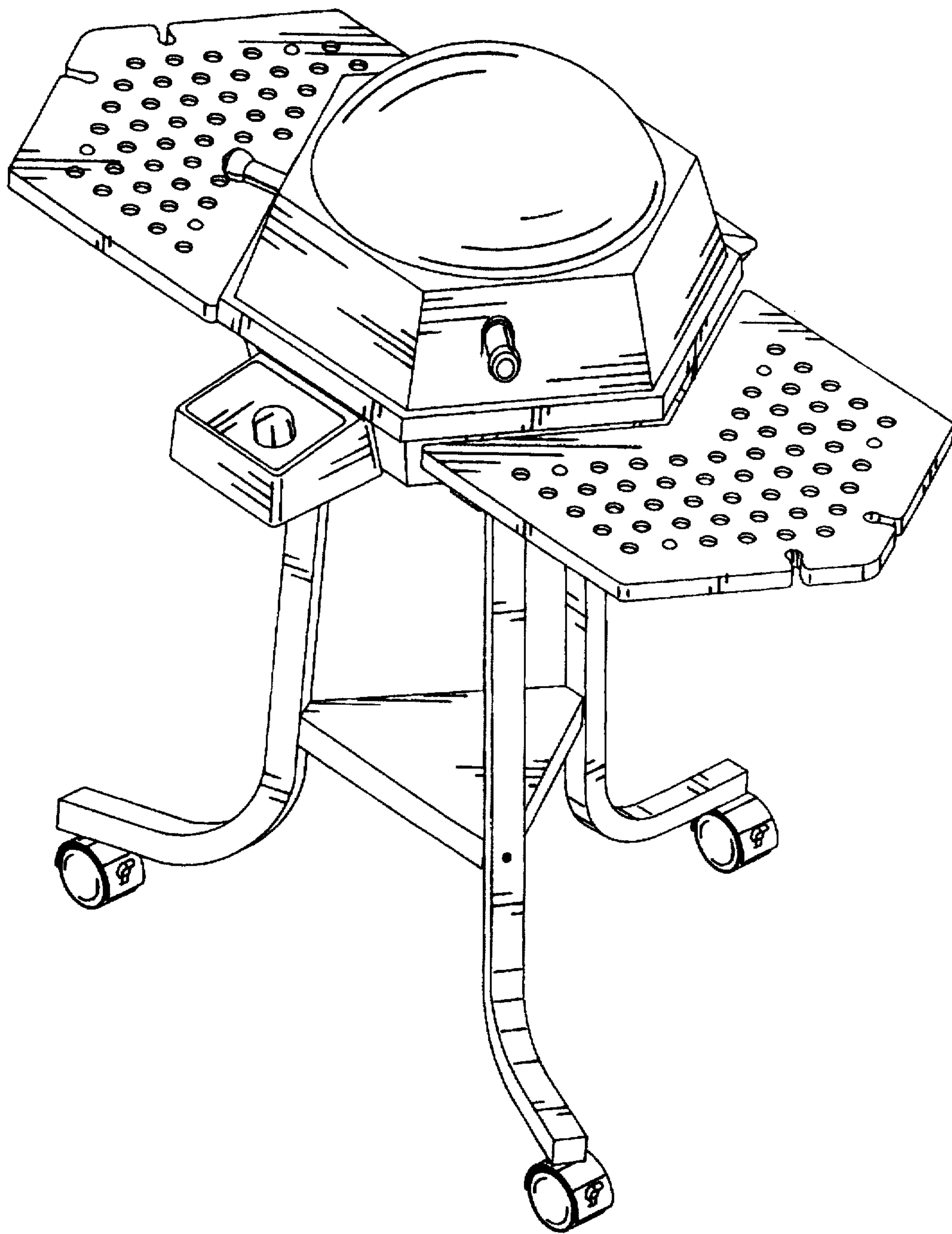


FIG. 1



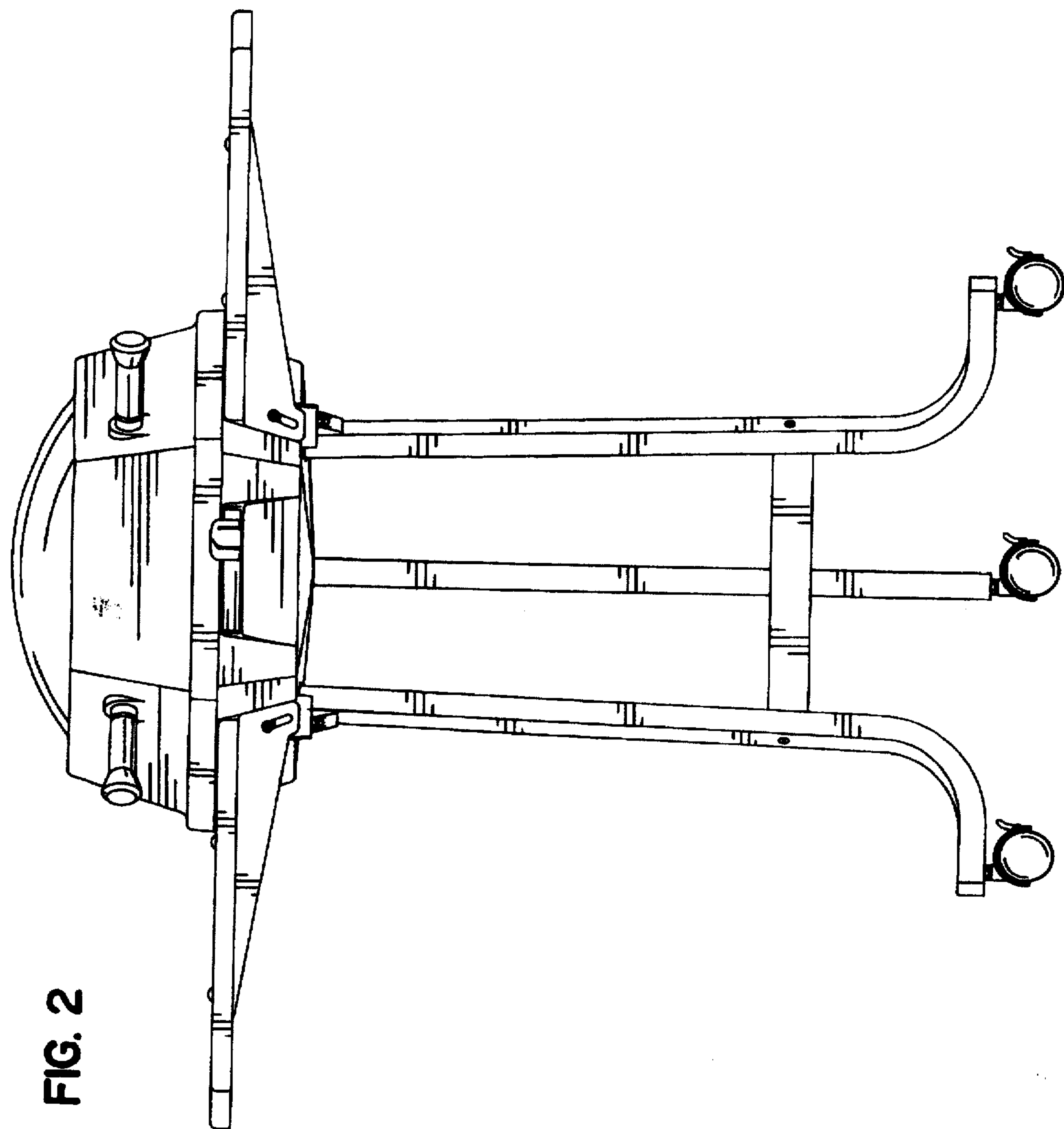


FIG. 2

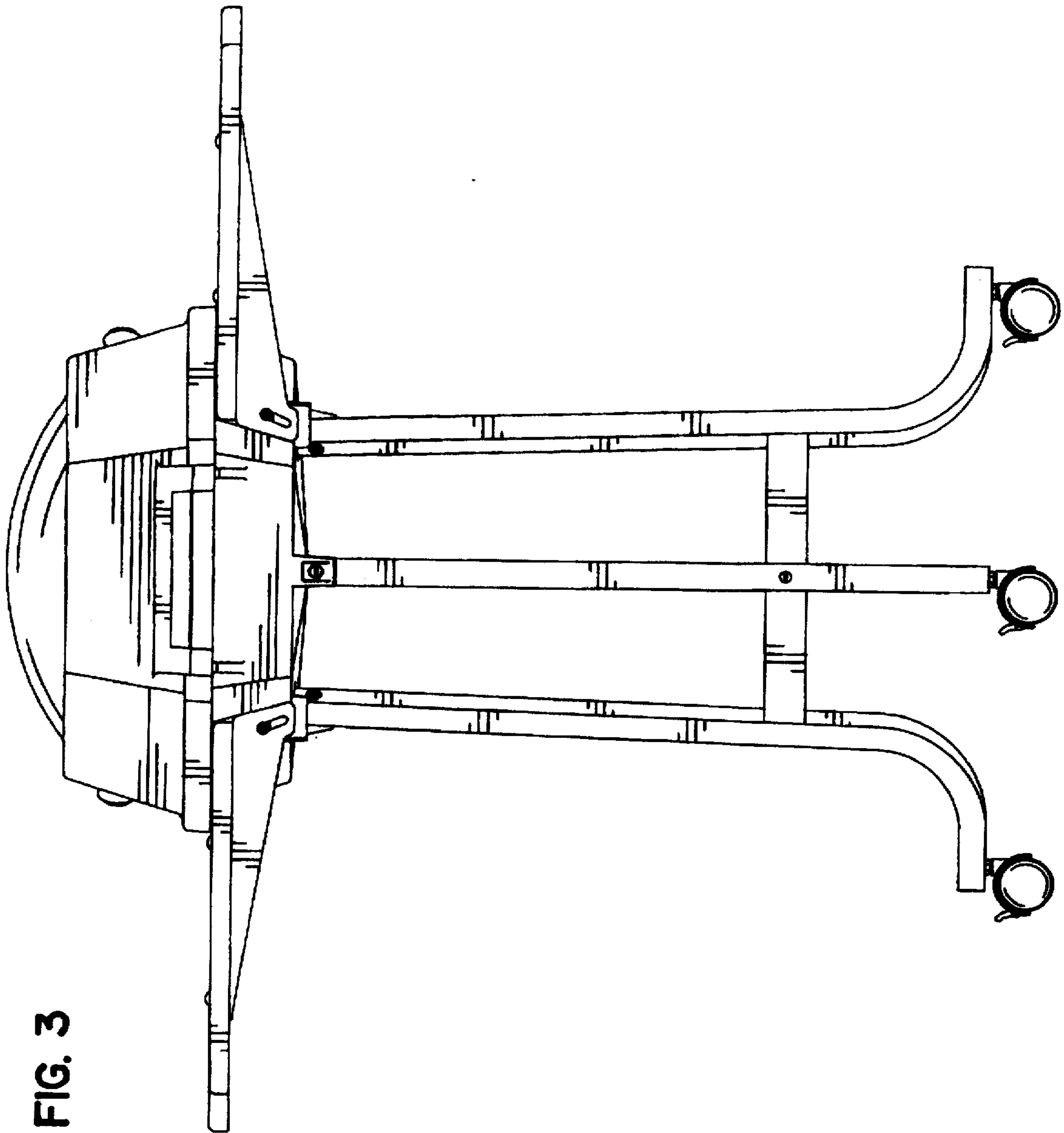


FIG. 3



FIG. 5

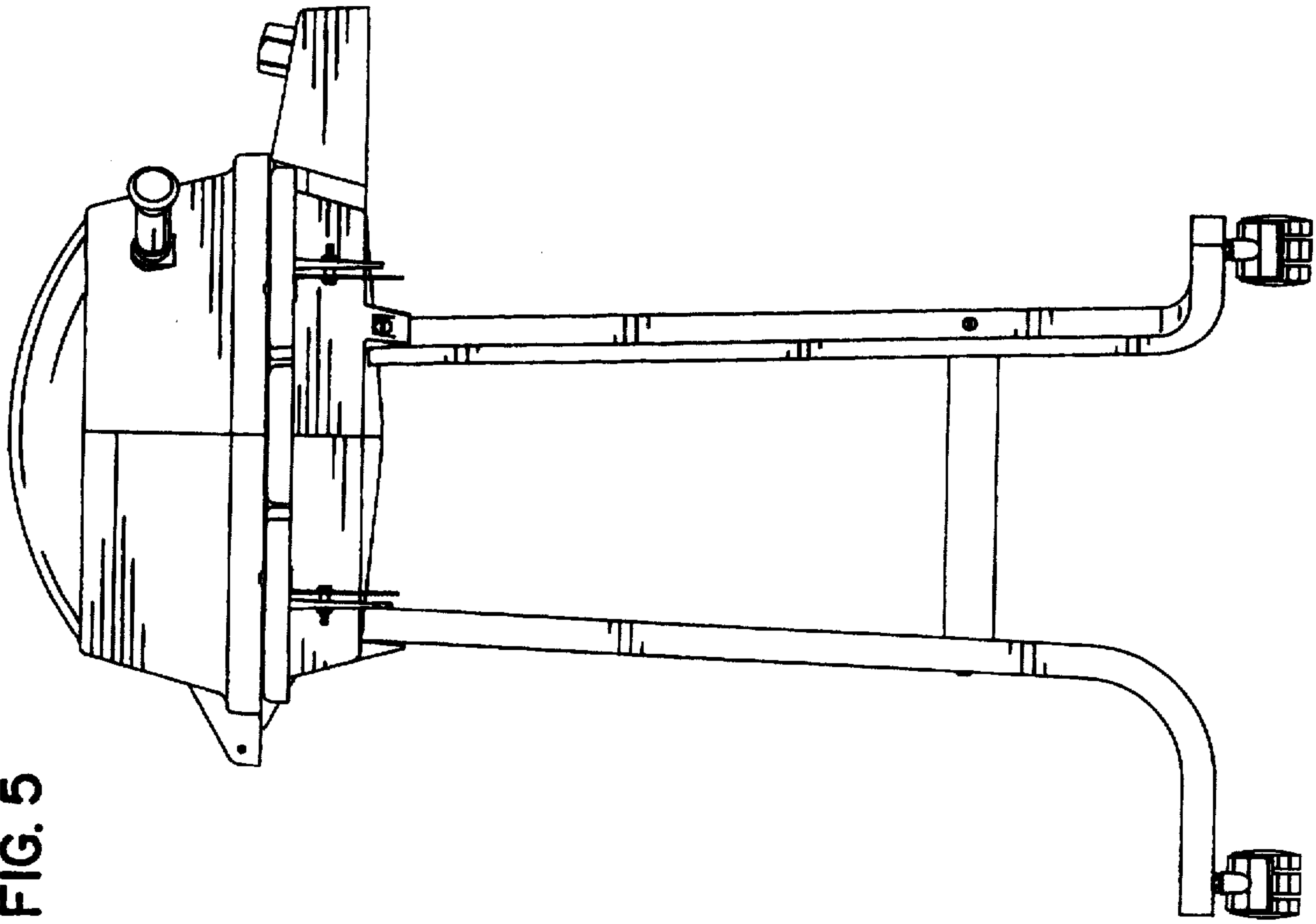
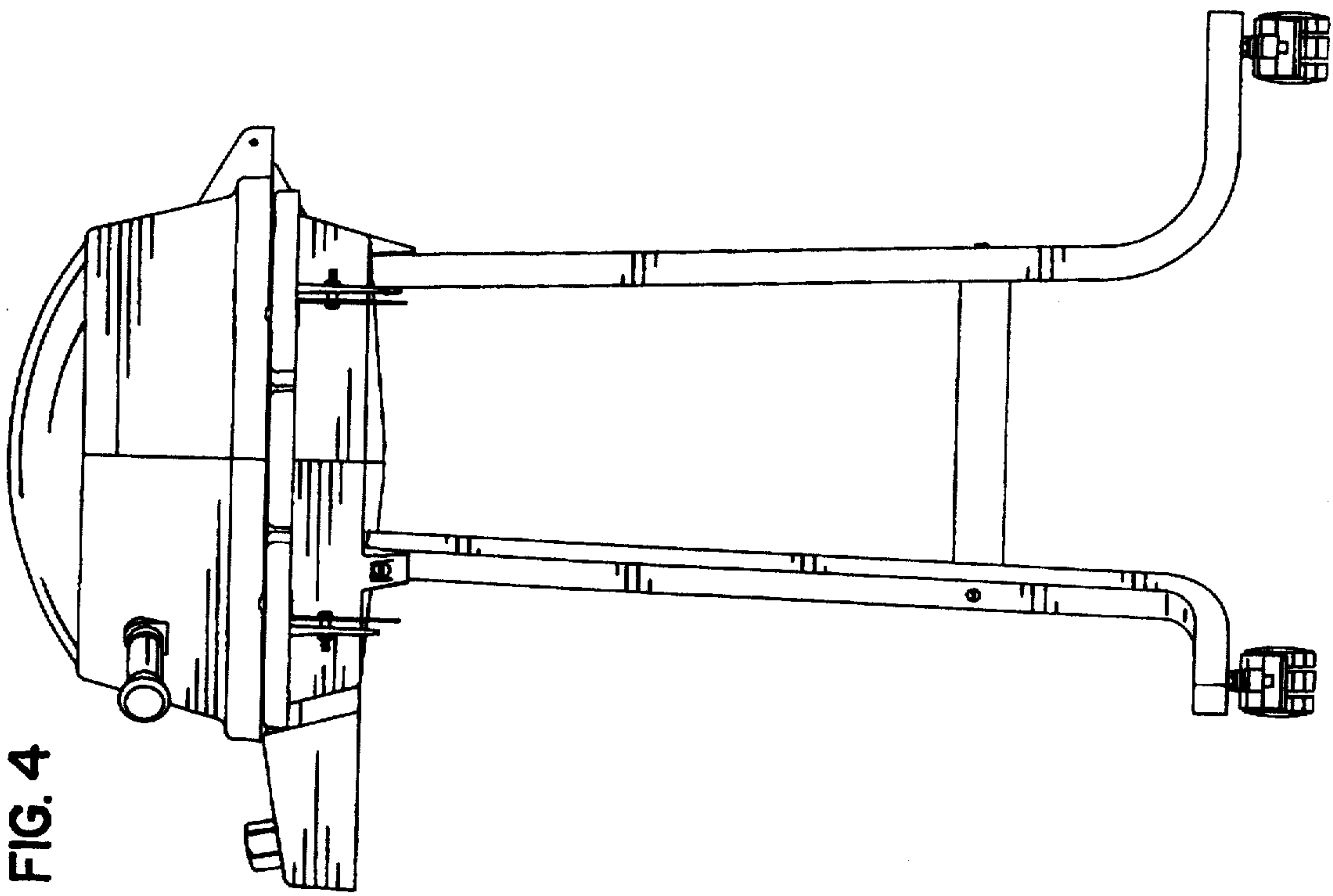


FIG. 4



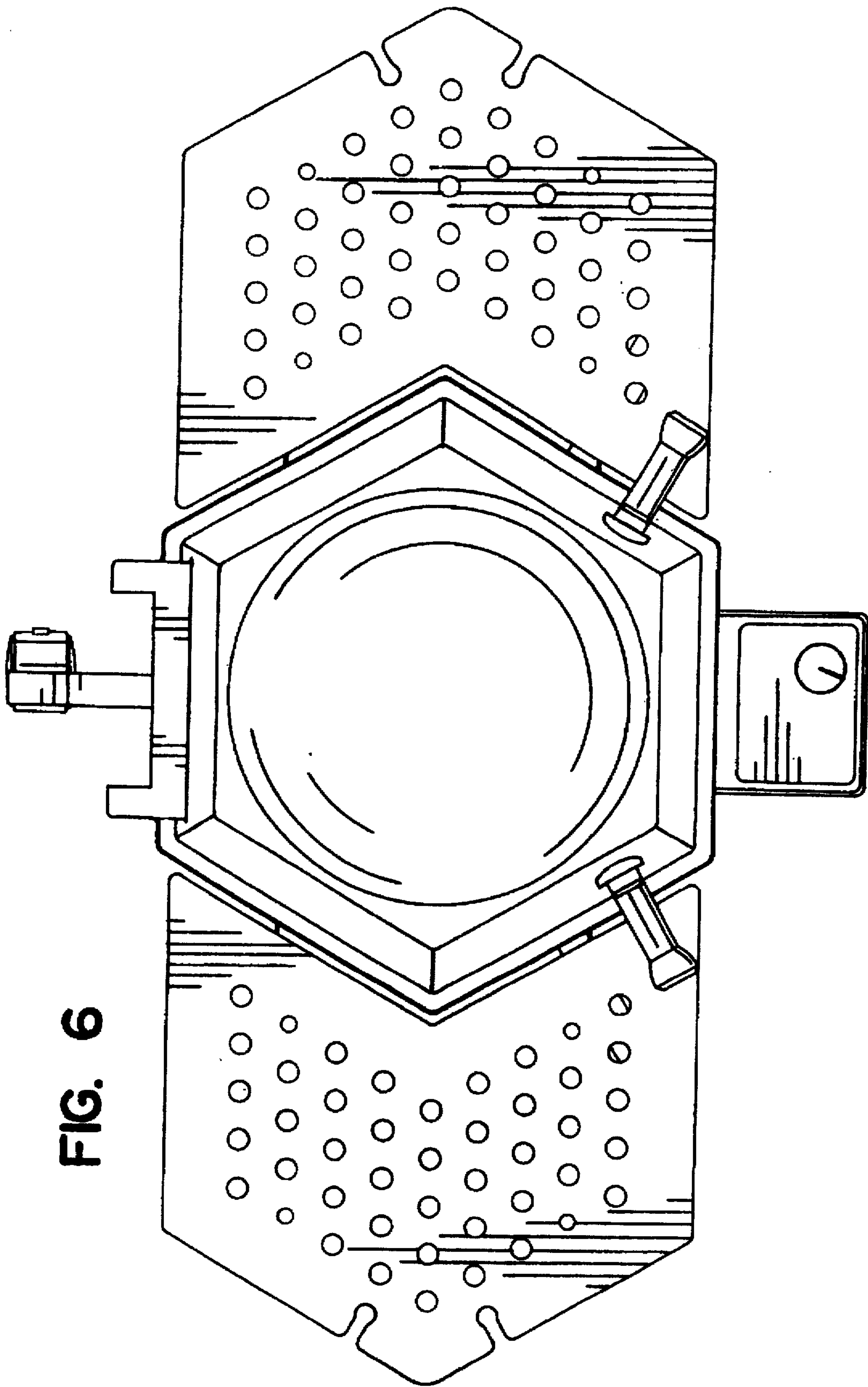


FIG. 6

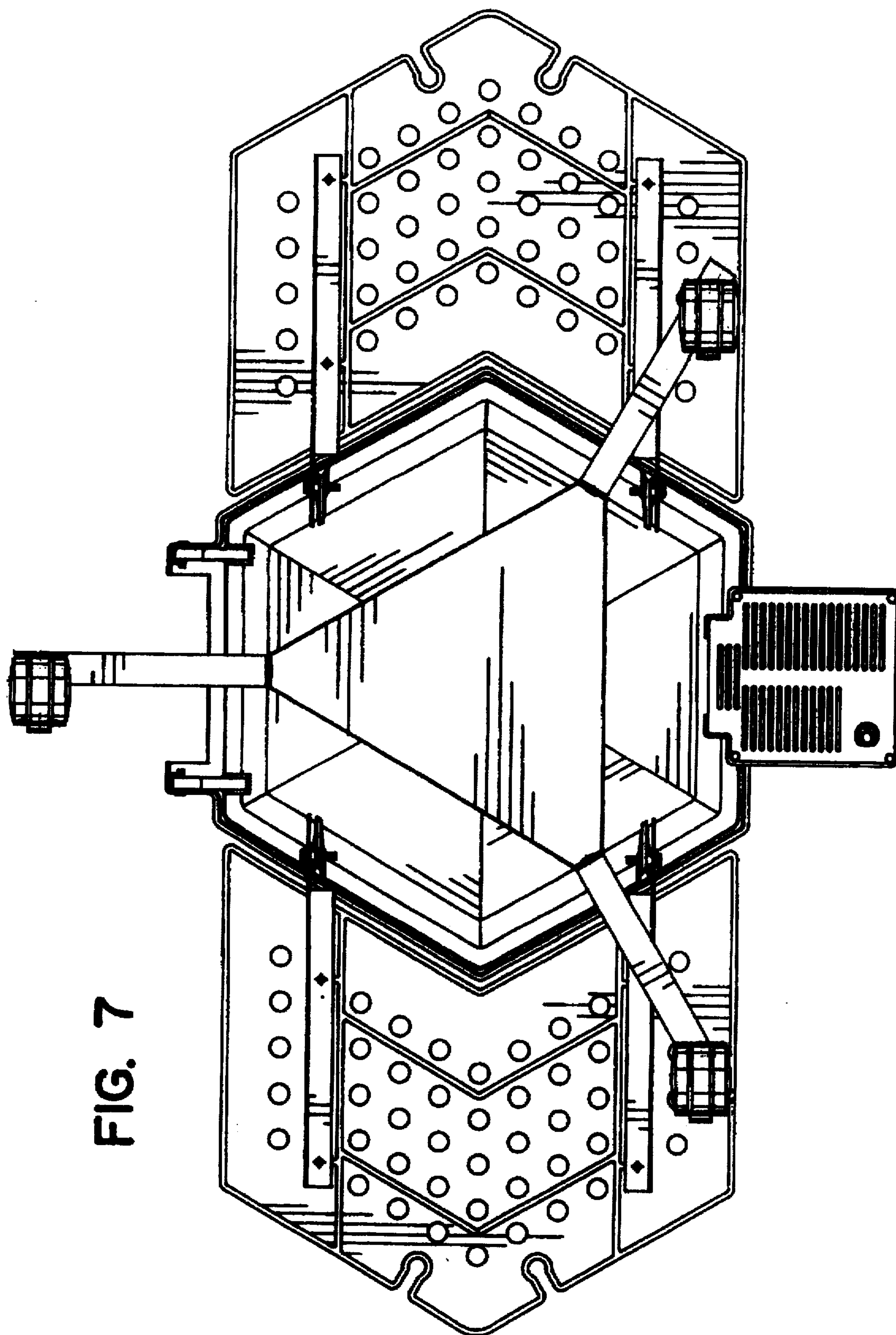


FIG. 7

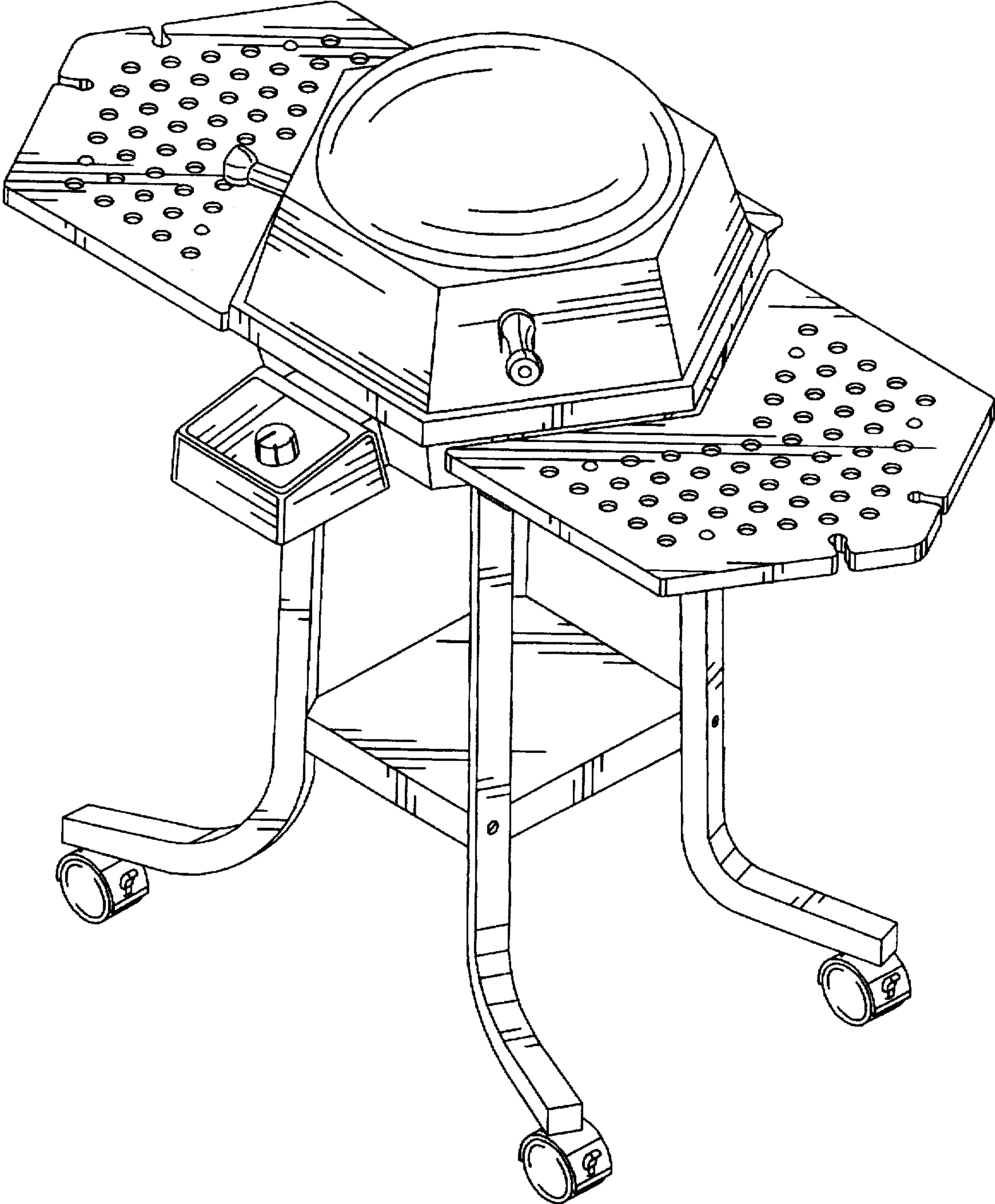


FIG. 8



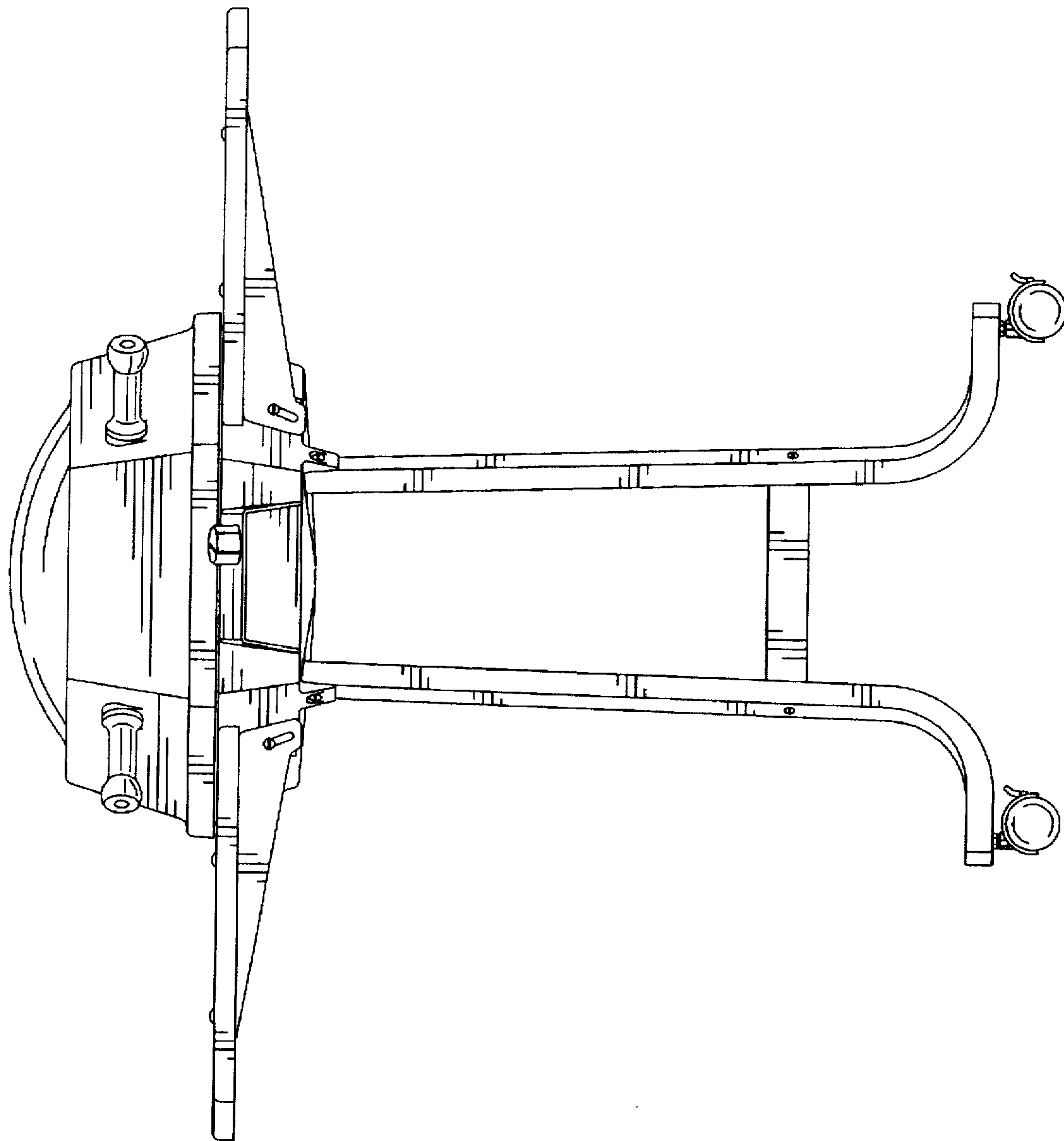


FIG. 9

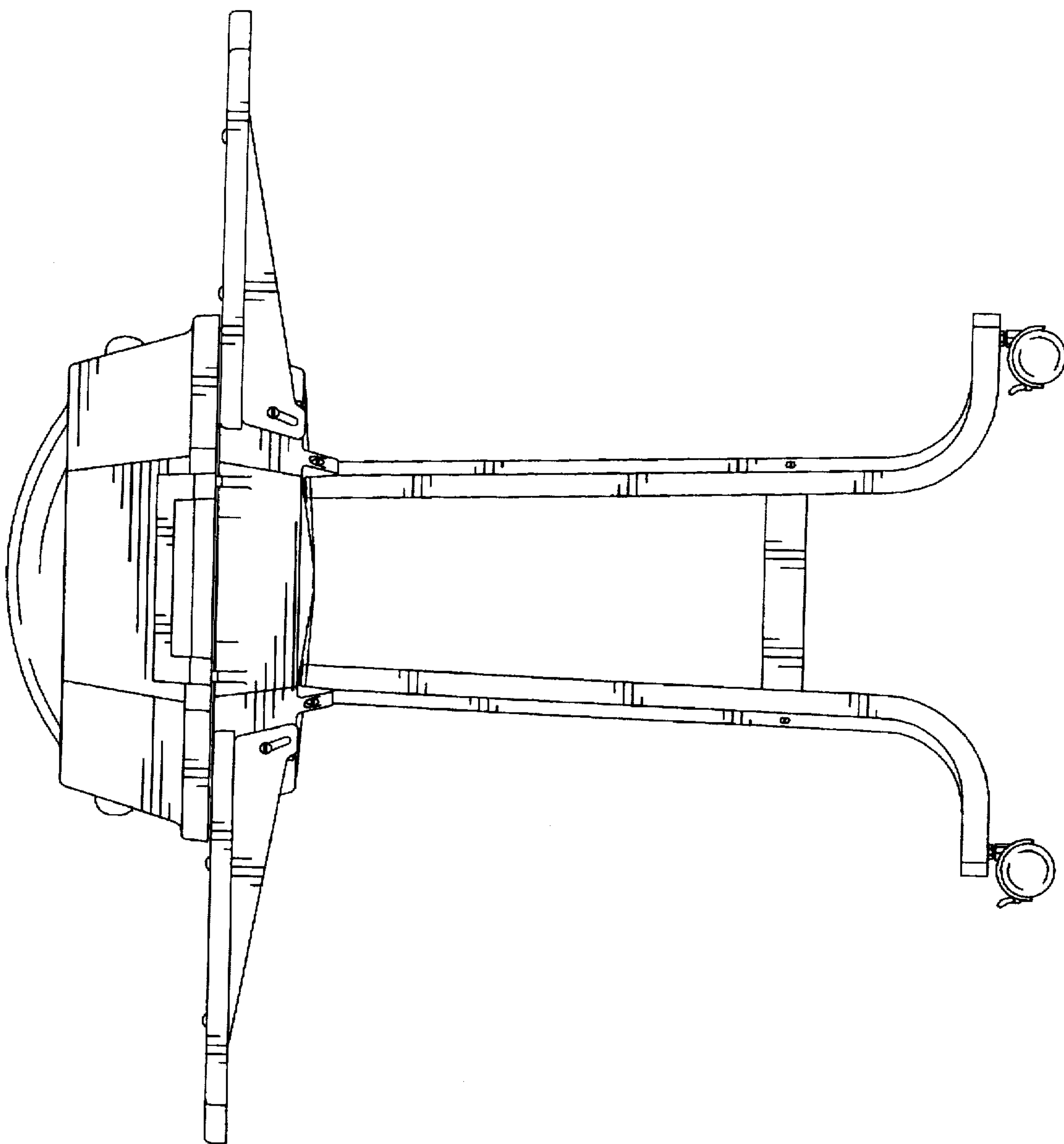


FIG. 10

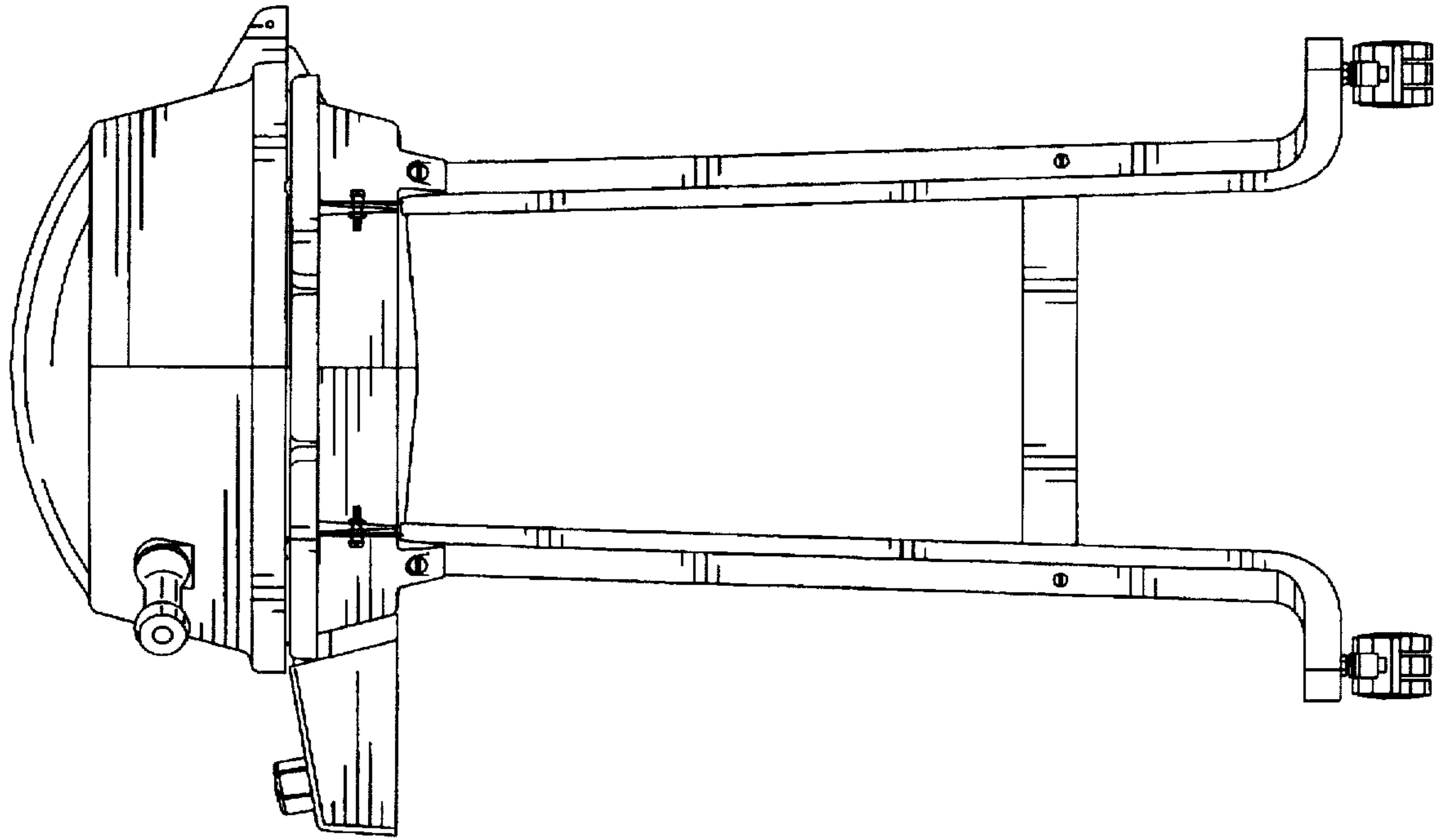


FIG. 11

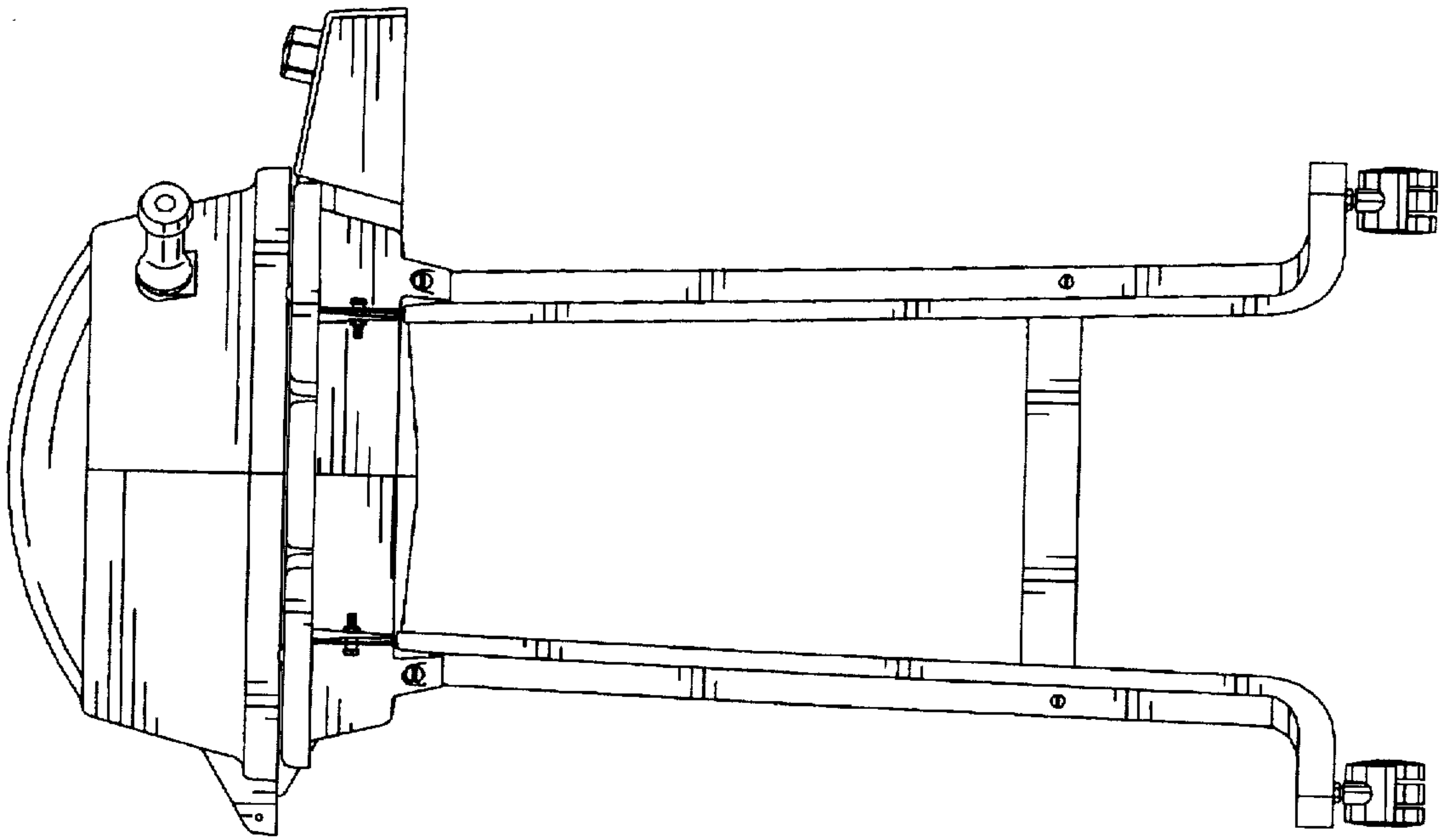


FIG. 12



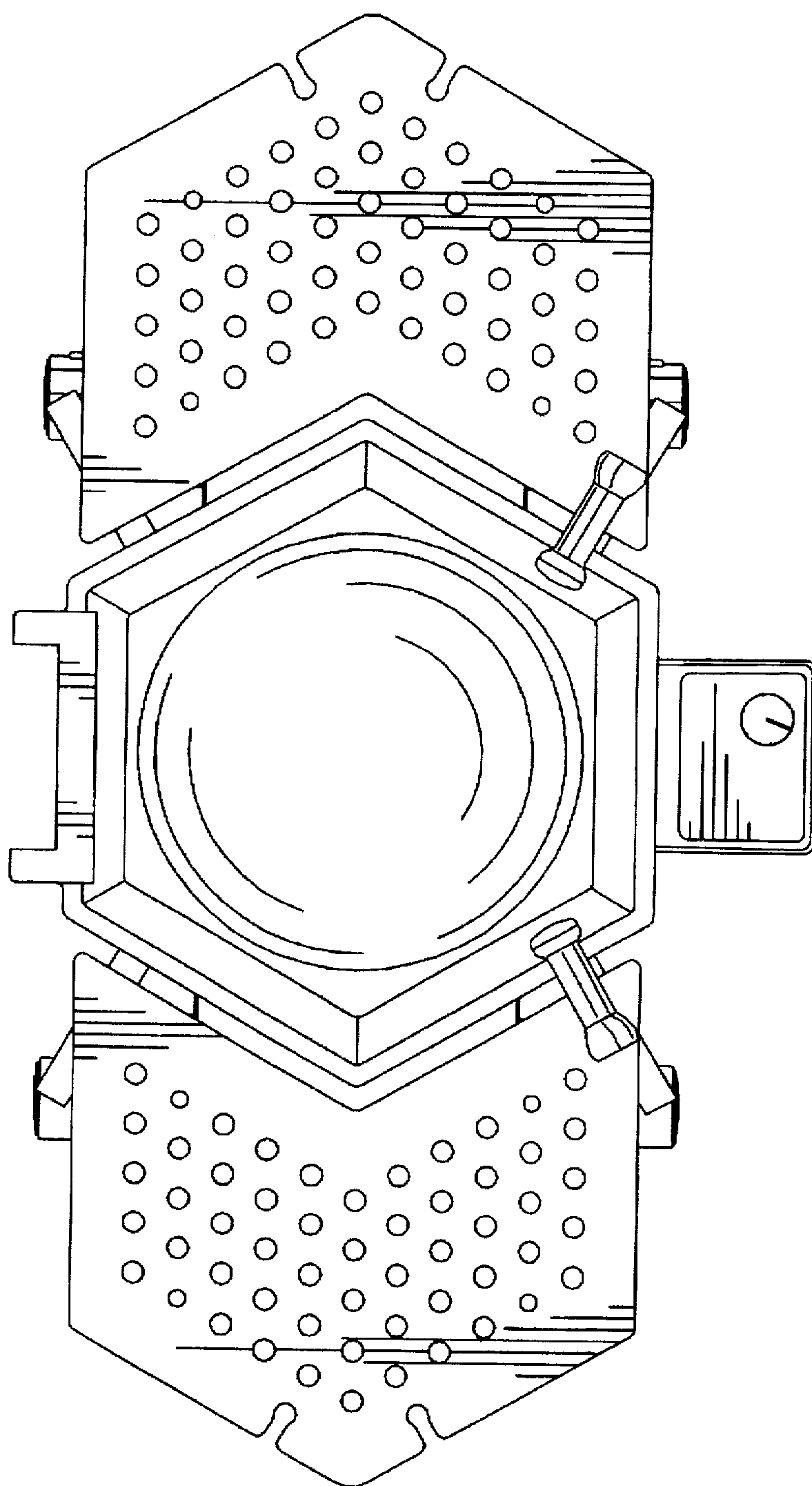


FIG. 13

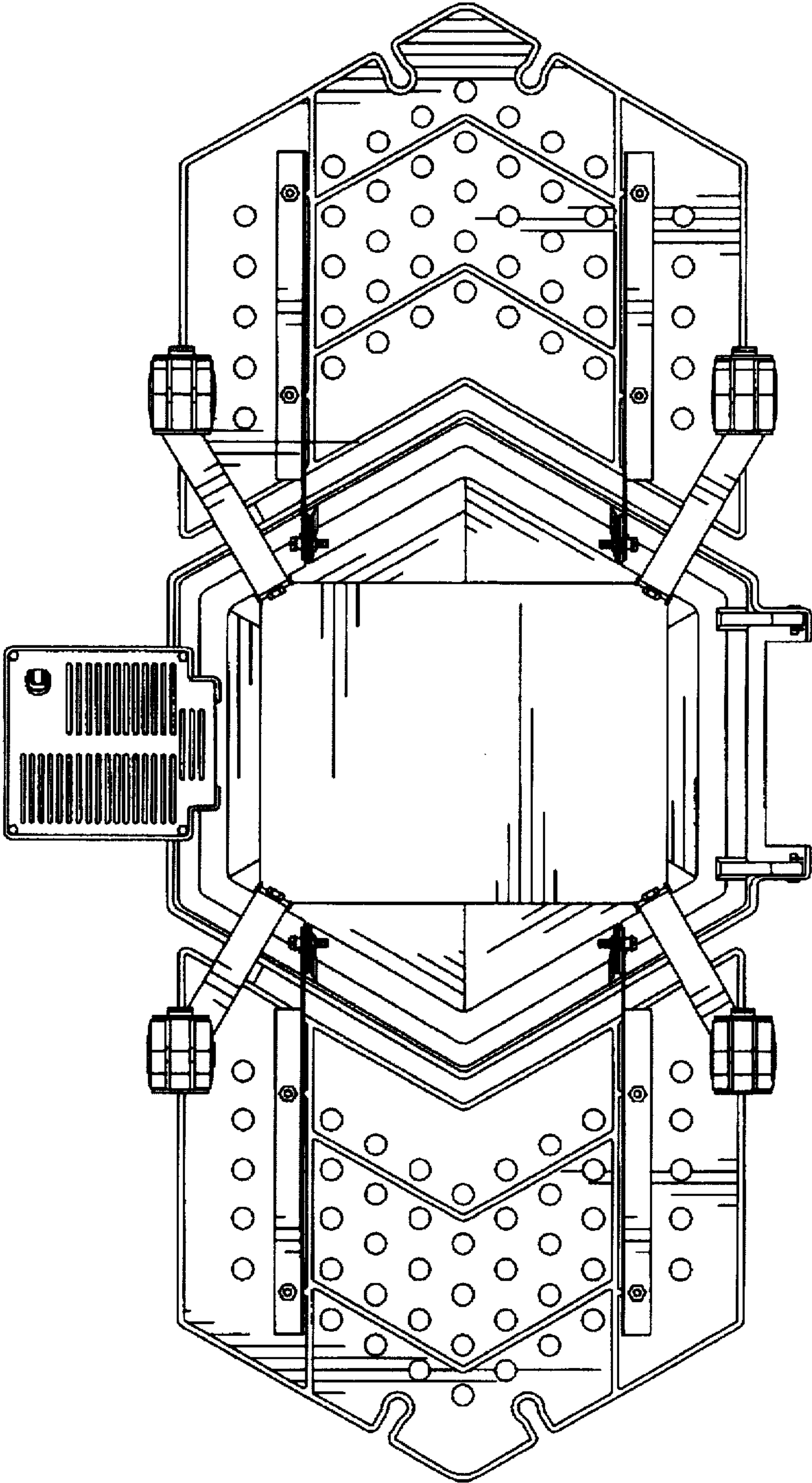


FIG. 14