

US00D387607S

# United States Patent [19]

[11] Patent Number: **Des. 387,607**

Mackay et al.

[45] Date of Patent: **\*\*Dec. 16, 1997**

[54] **TEA BREWER** 3,759,161 9/1973 Anderson ..... D7/310 X

[75] Inventors: **Spencer L. Mackay**, Agoura Hills, Calif.; **Phillip L. Brookshire**, Cincinnati, Ohio

[73] Assignee: **Health o meter, Inc.**, Bedford Heights, Ohio

[\*\*] Term: **14 Years**

[21] Appl. No.: **40,248**

[22] Filed: **Apr. 28, 1995**

[51] LOC (6) Cl. .... **07-01**

[52] U.S. Cl. .... **D7/309; D7/310; D7/311**

[58] Field of Search ..... **D7/300, 305, 306, D7/307, 308, 309, 310, 311, 387; 222/129.1-129.4**

### [56] References Cited

#### U.S. PATENT DOCUMENTS

- D. 113,512 2/1939 Iannelli ..... D7/310
- D. 140,444 2/1945 Kaiser, Jr. .... D7/309 X
- D. 157,588 3/1950 Gunther ..... D7/311 X
- D. 286,848 11/1986 Levin ..... D7/309

### OTHER PUBLICATIONS

- Pot "B" By Farberware, New York Times Dec. 18, 1949.
- Coffeemaker, Home Furnishings Daily, May 1971, p. 13.
- Karlsbad Kaffee Maschine, Gifts and Decorative Accessories Oct. 1971, p. 55.
- Drop Coffeemaker, Home Furnishings Daily Jul. 1975 p. 24.

*Primary Examiner*—M. N. Pandozzi  
*Attorney, Agent, or Firm*—Calfee, Halter & Griswold LLP

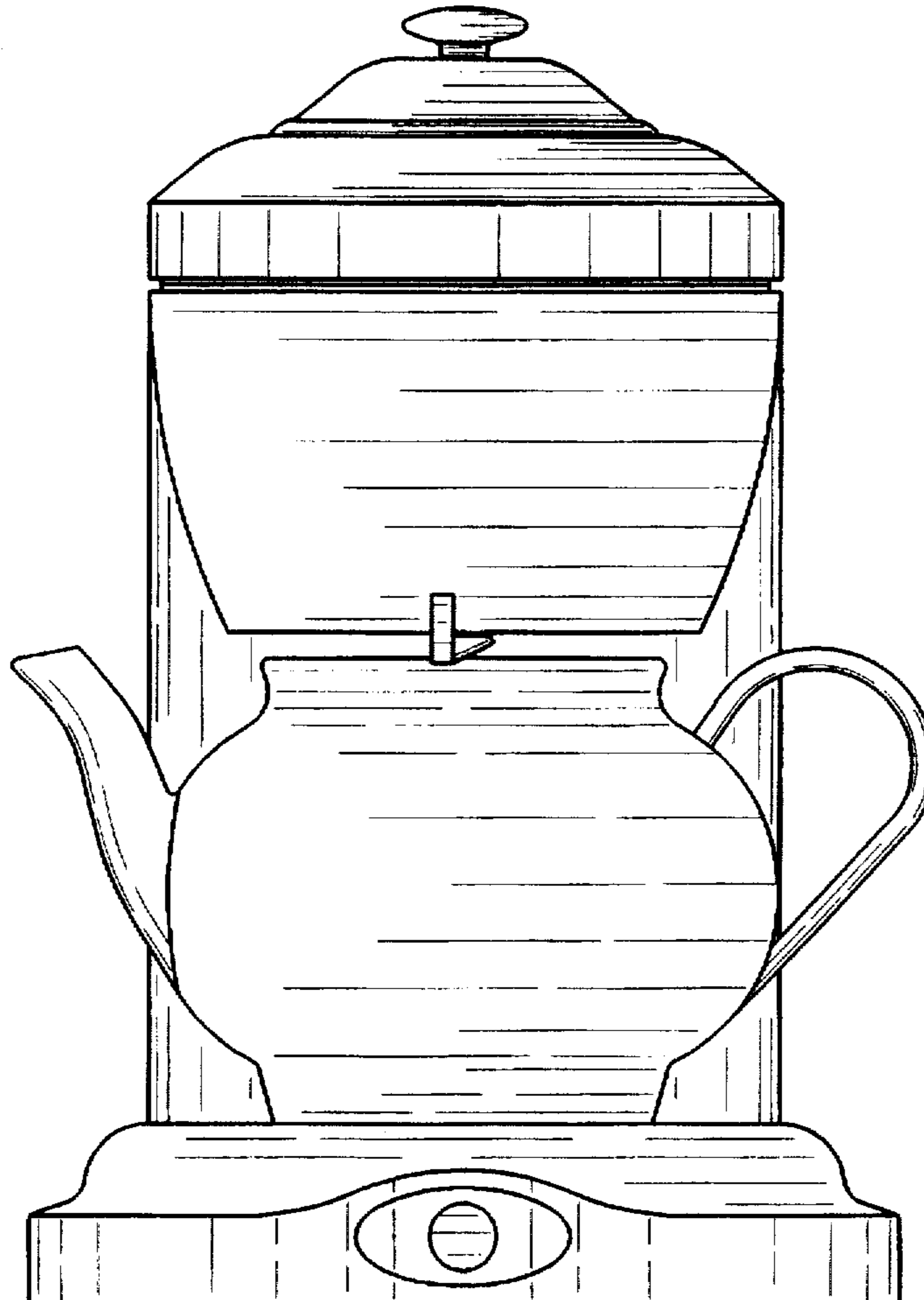
### [57] CLAIM

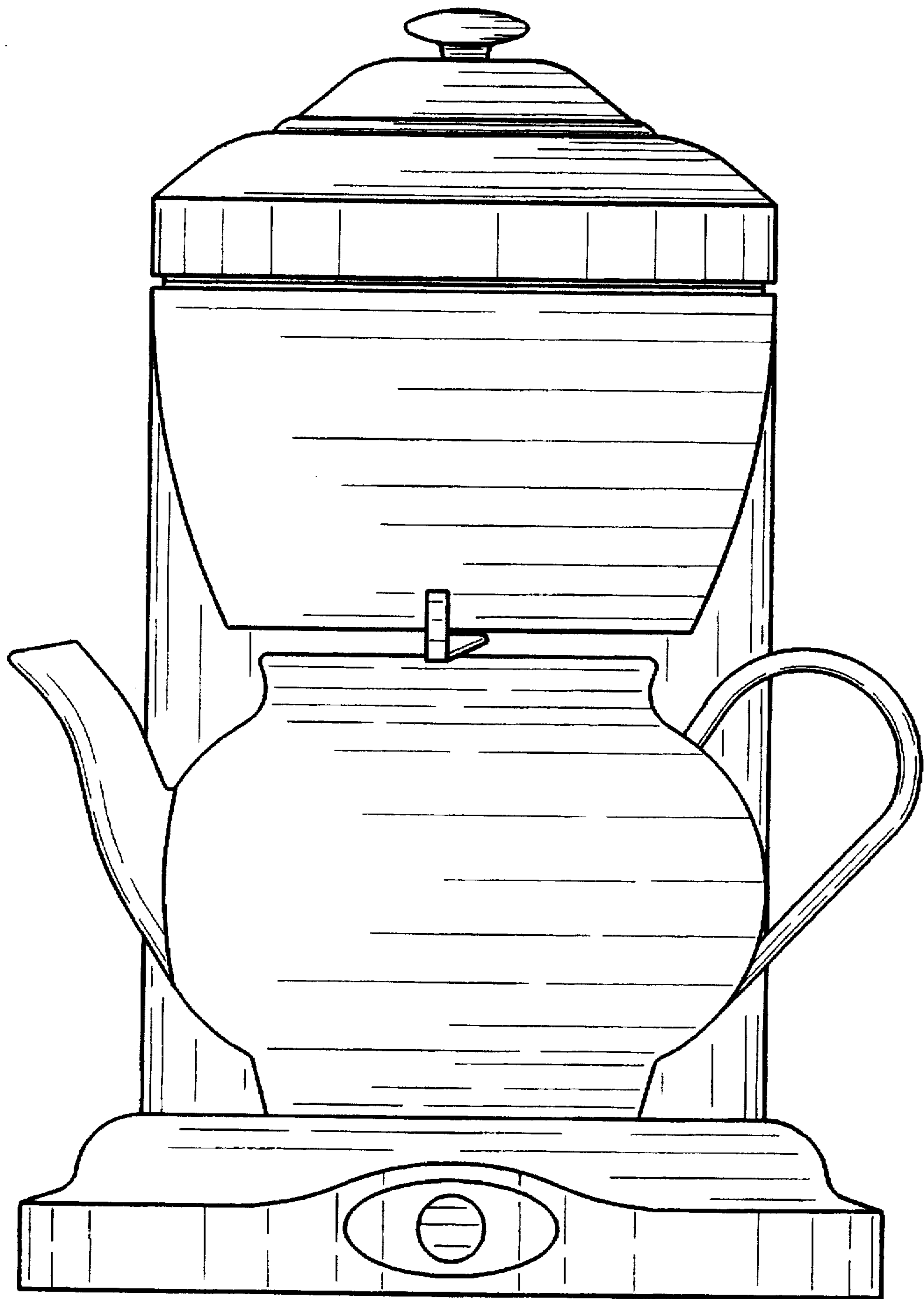
The ornamental design for a tea brewer, as shown and described.

### DESCRIPTION

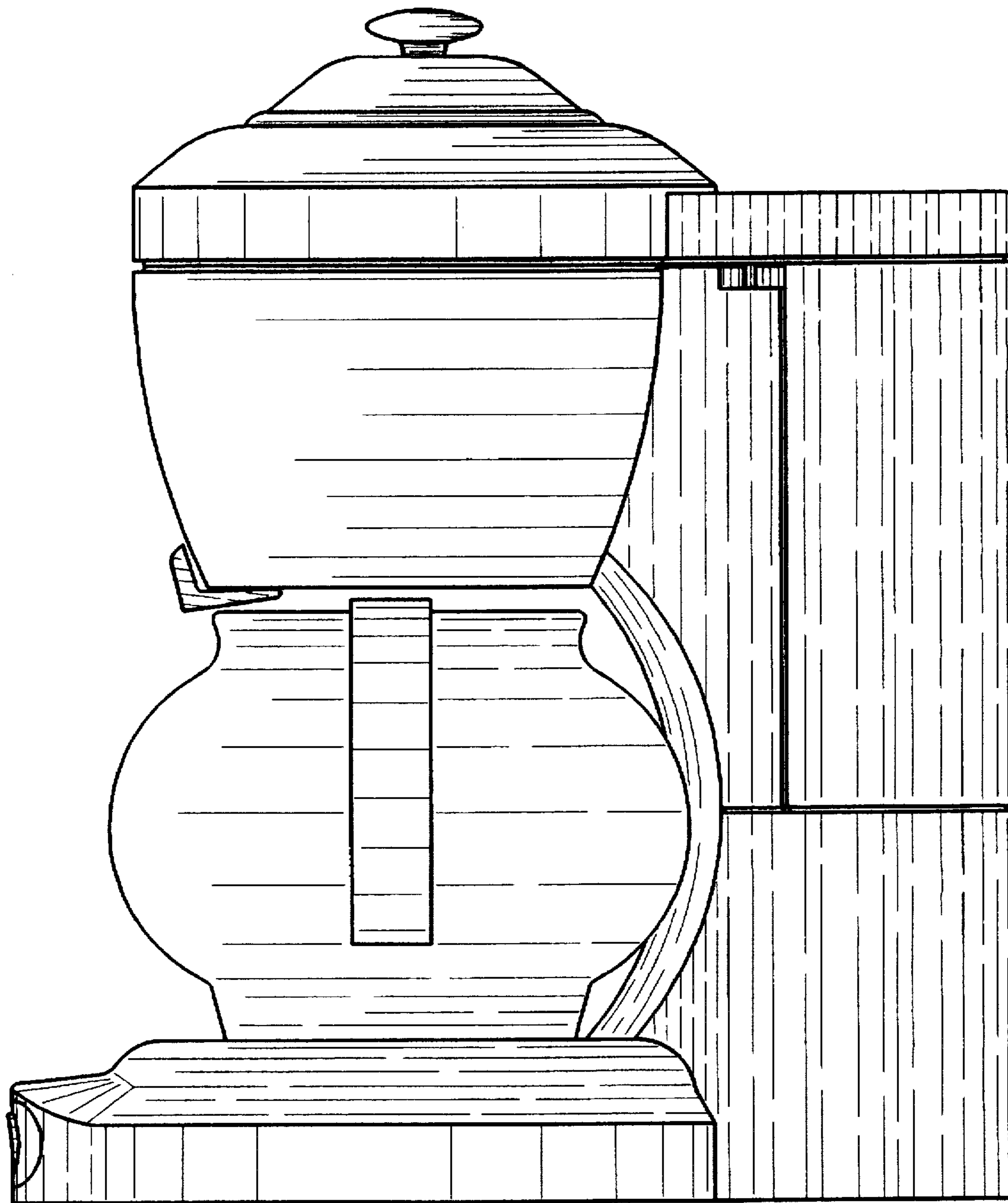
- FIG. 1 is a front elevational view of a tea brewer showing our new design;
- FIG. 2 is a right side elevational view thereof;
- FIG. 3 is a left side elevational view thereof;
- FIG. 4 is a rear elevational view thereof;
- FIG. 5 is a top plan view thereof; and,
- FIG. 6 is a bottom plan view thereof.

**1 Claim, 5 Drawing Sheets**





*Fig. 1*



*Fig. 2*

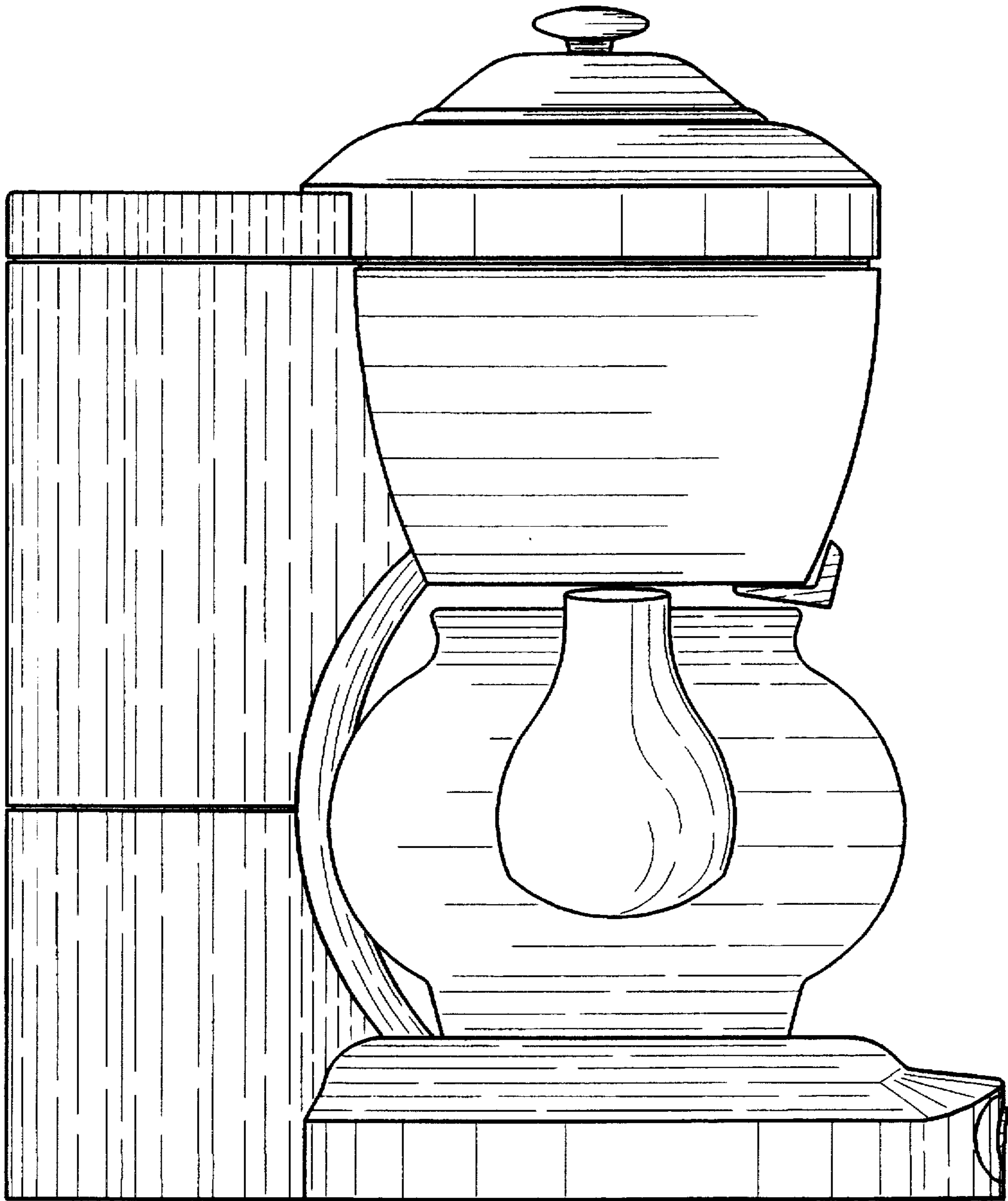
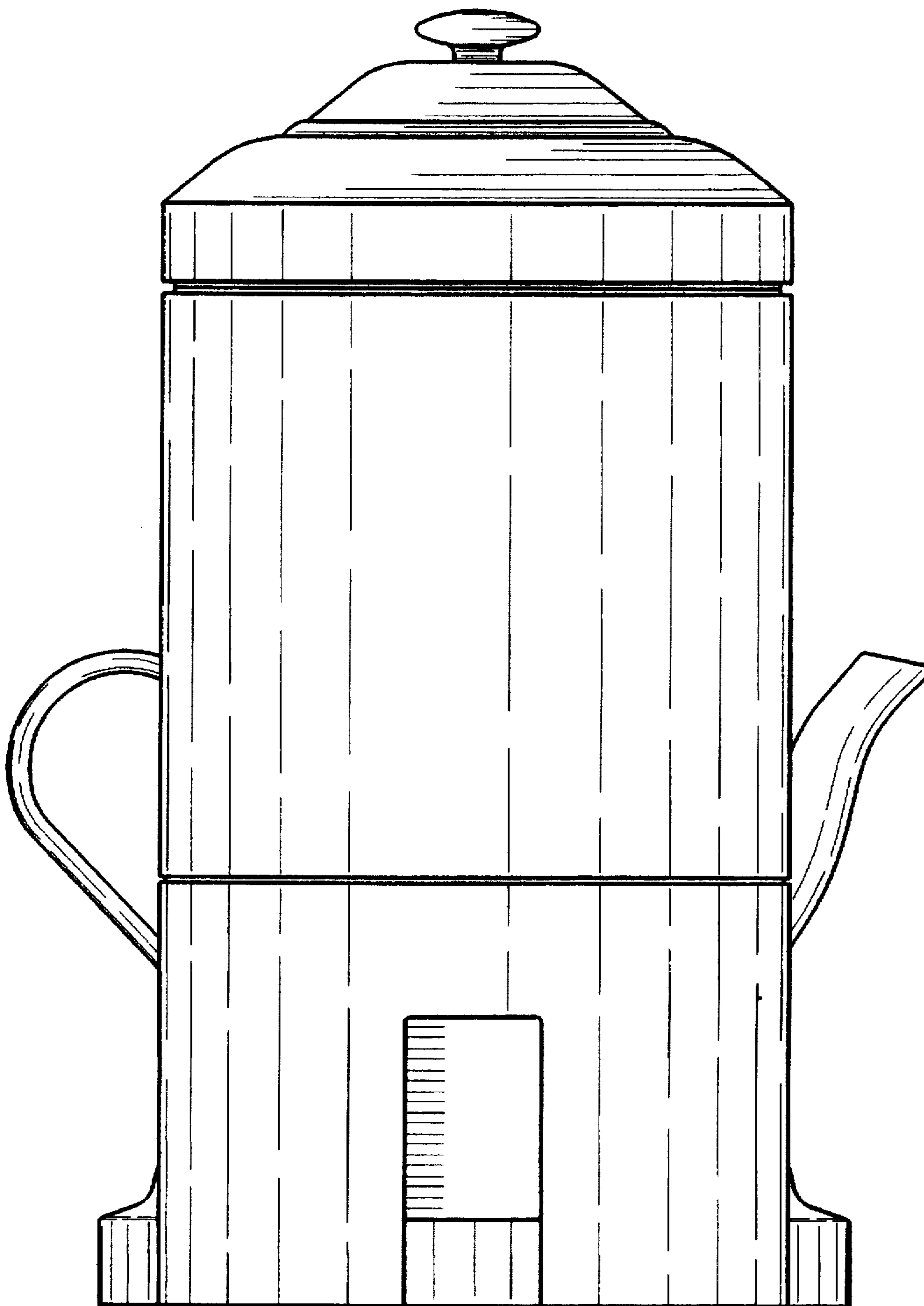


Fig. 3



*Fig. 4*



