



US00D387606S

United States Patent [19] Hsu

[11] Patent Number: **Des. 387,606**

[45] Date of Patent: ****Dec. 16, 1997**

[54] **DISK STORAGE BOX**

[76] Inventor: **Wan-Sheng Hsu**, No. 62, Lane 35,
Yu-Shih Rd., Wu-Ku, Hsiang, Taipei
Hsien, Taiwan

[**] Term: **14 Years**

[21] Appl. No.: **53,457**

[22] Filed: **Apr. 23, 1996**

[51] LOC (6) Cl. **06-04**

[52] U.S. Cl. **D6/632; D6/634**

[58] Field of Search 206/387.1, 308.3,
206/425, 509, 511, 379, 351, 387.14, 387.15;
D6/407, 626-635

[56] **References Cited**

U.S. PATENT DOCUMENTS

D. 315,638	3/1991	Pennell	D6/635
D. 330,120	10/1992	Temple et al.	D6/407
D. 347,959	6/1994	Sankey	D6/407
D. 351,082	10/1994	Long et al.	D6/407
D. 355,559	2/1995	Gaekler	D6/634
D. 358,522	5/1995	Weisburn et al.	D6/407

D. 362,563	9/1995	Rogina	D6/407
D. 364,304	11/1995	Weisburn et al.	D6/632
4,544,213	10/1985	Long et al.	D6/407

FOREIGN PATENT DOCUMENTS

2173478 10/1986 United Kingdom 206/308.3

Primary Examiner—Cathy Anne MacCormac
Attorney, Agent, or Firm—Bacon & Thomas

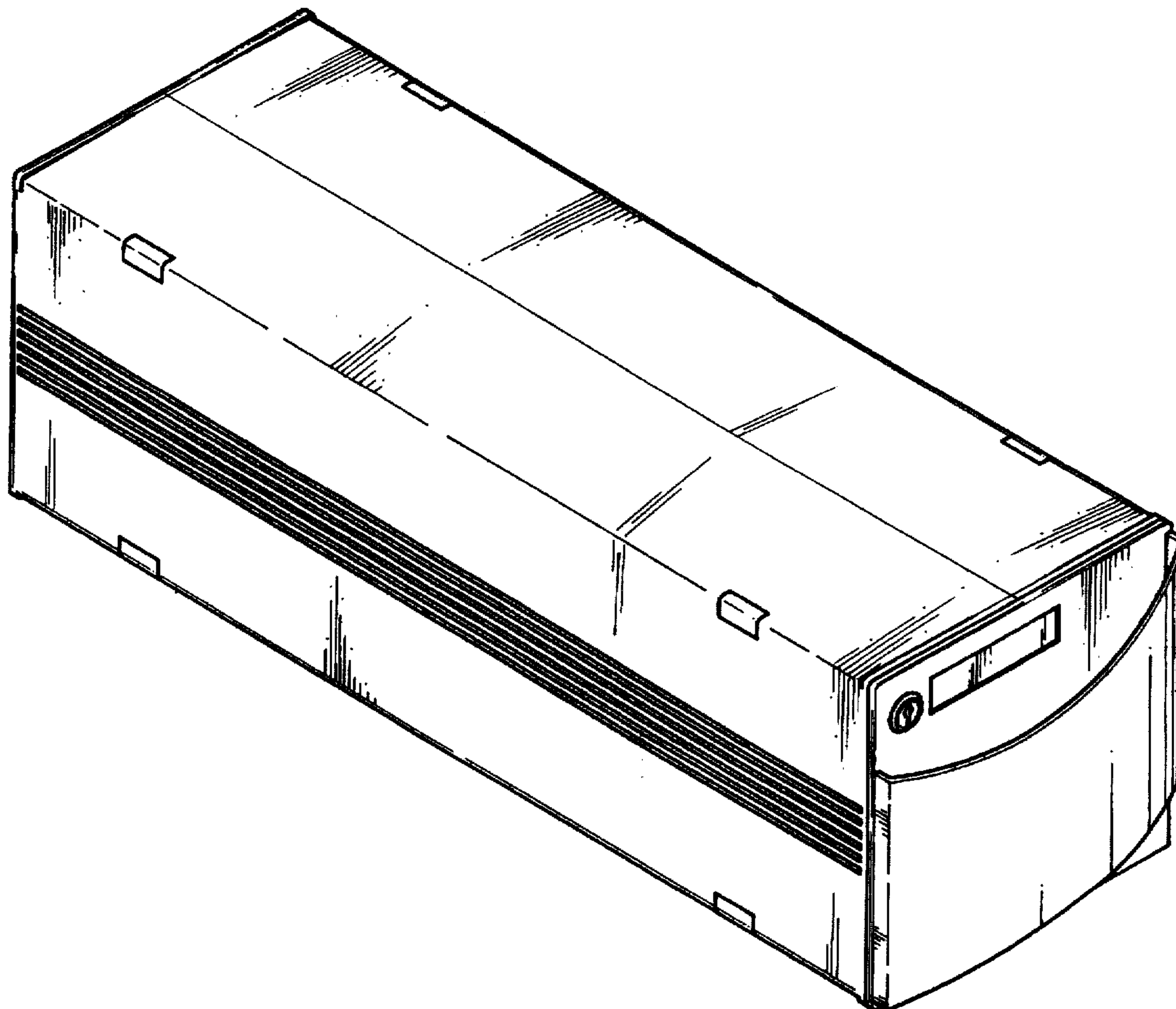
[57] **CLAIM**

The ornamental design for disk storage box, as shown and described.

DESCRIPTION

FIG. 1 is a perspective view of disk storage box showing my new design thereof;
FIG. 2 is a front elevational view thereof;
FIG. 3 is a rear elevational view thereof;
FIG. 4 is a left side elevational view thereof;
FIG. 5 is a right side elevational view thereof;
FIG. 6 is a top plan view thereof; and,
FIG. 7 is a bottom plan view thereof.

1 Claim, 6 Drawing Sheets



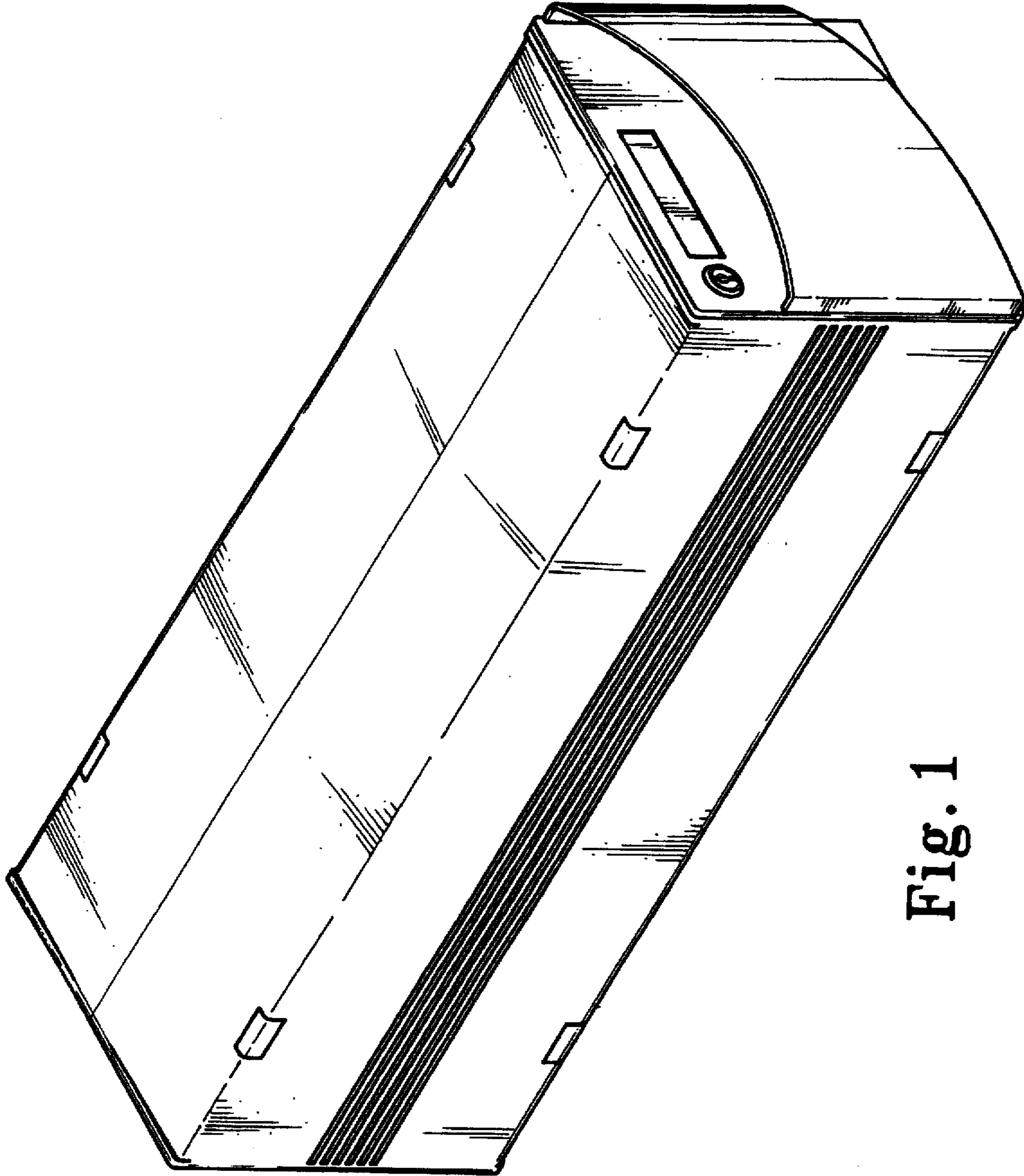


Fig. 1

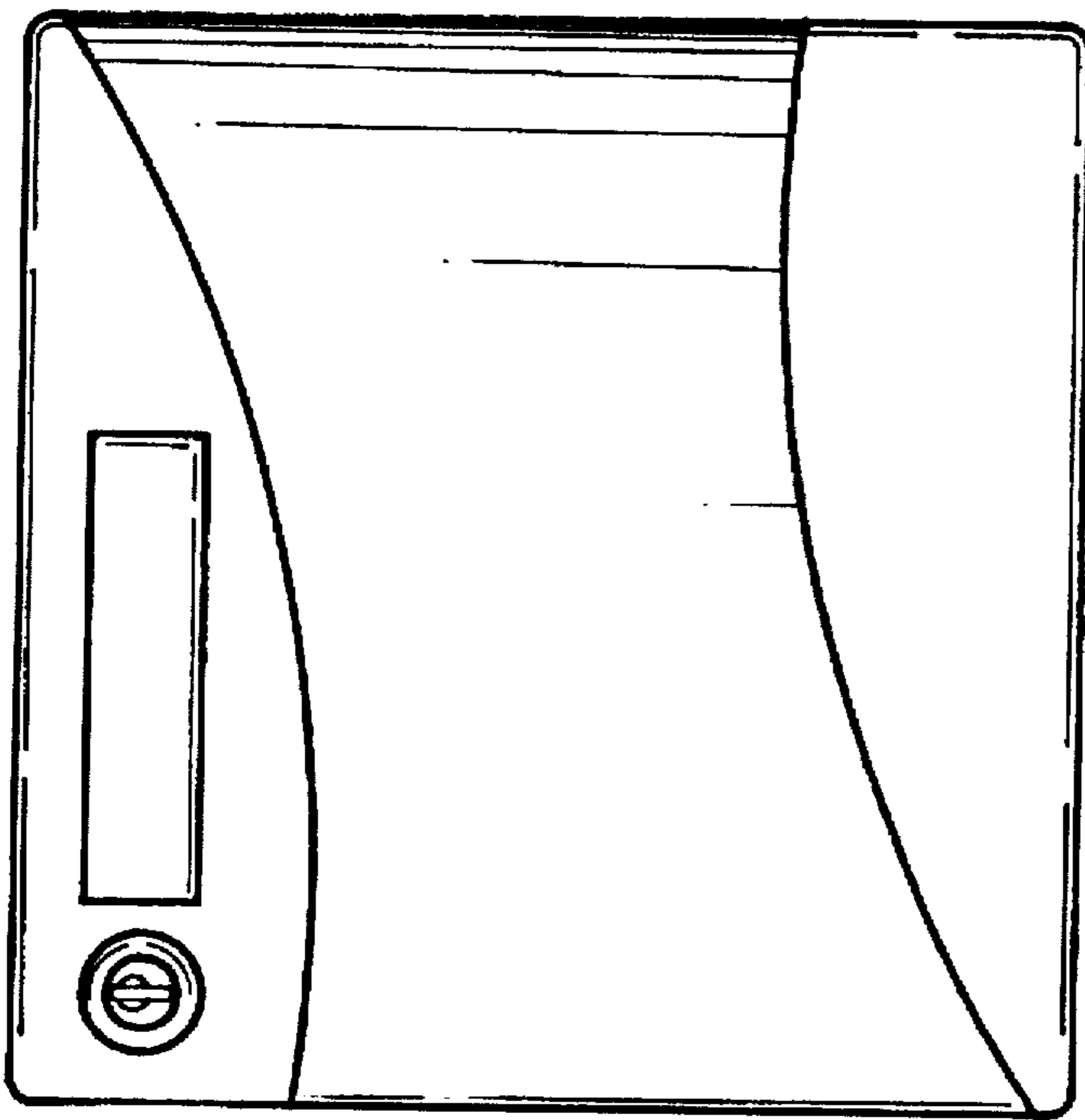


Fig. 2

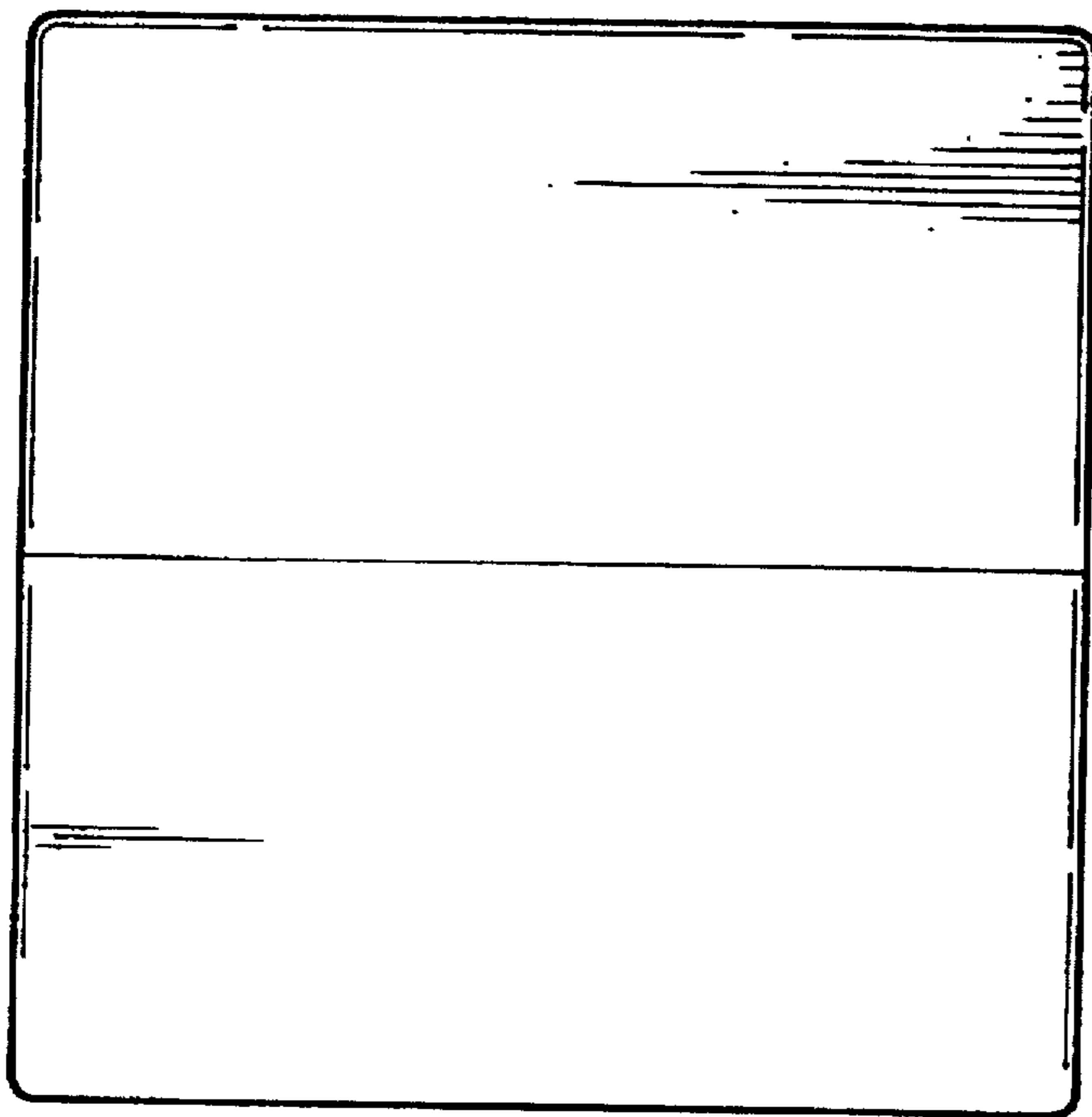


Fig. 3

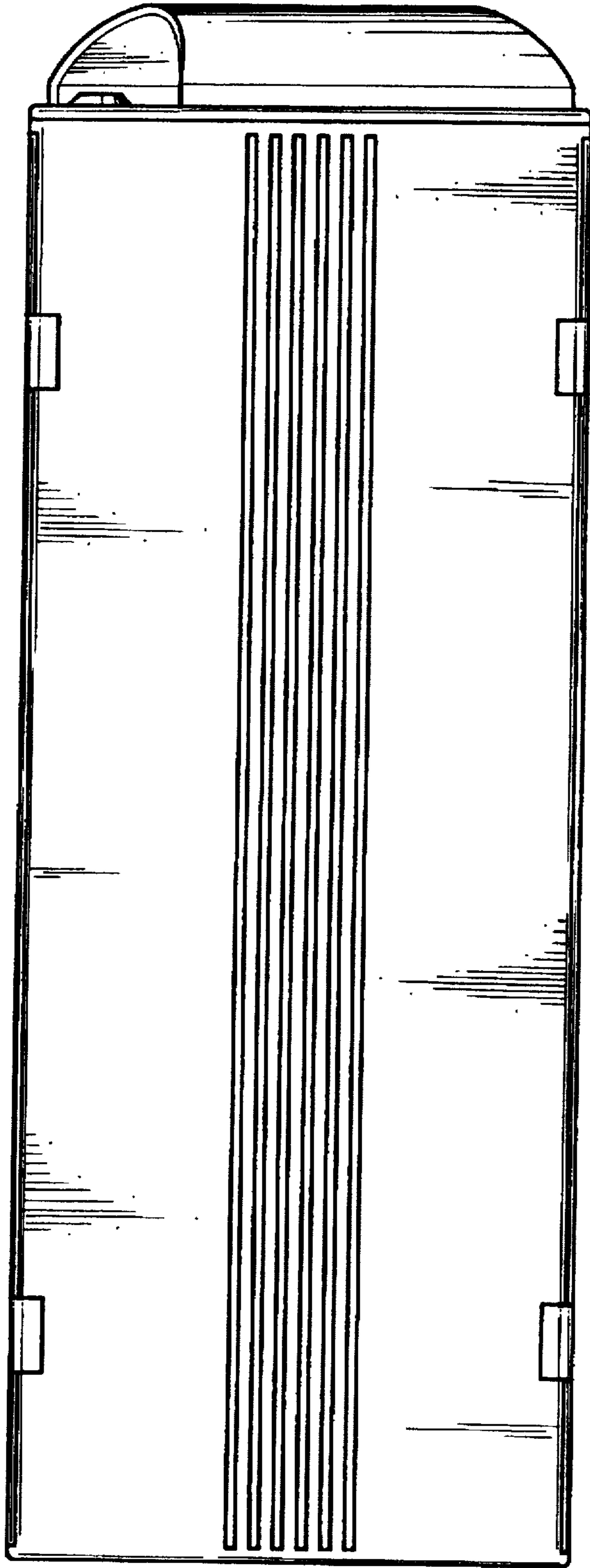


Fig. 4

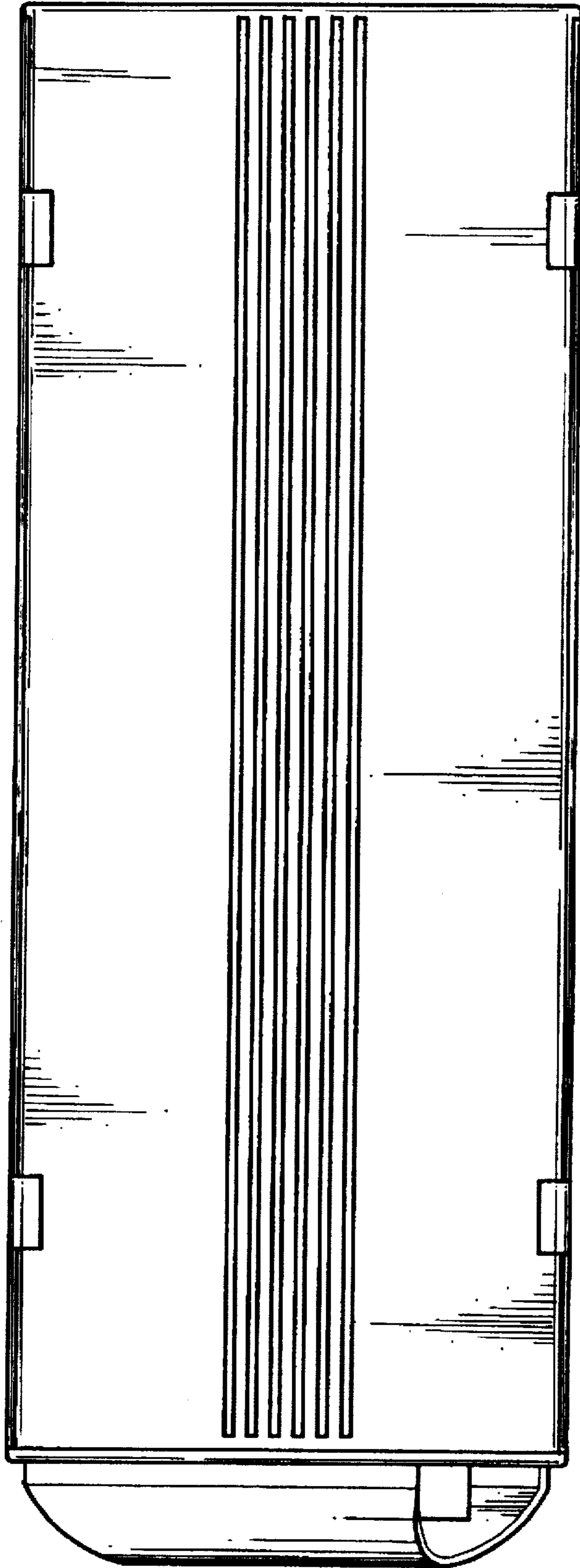


Fig. 5

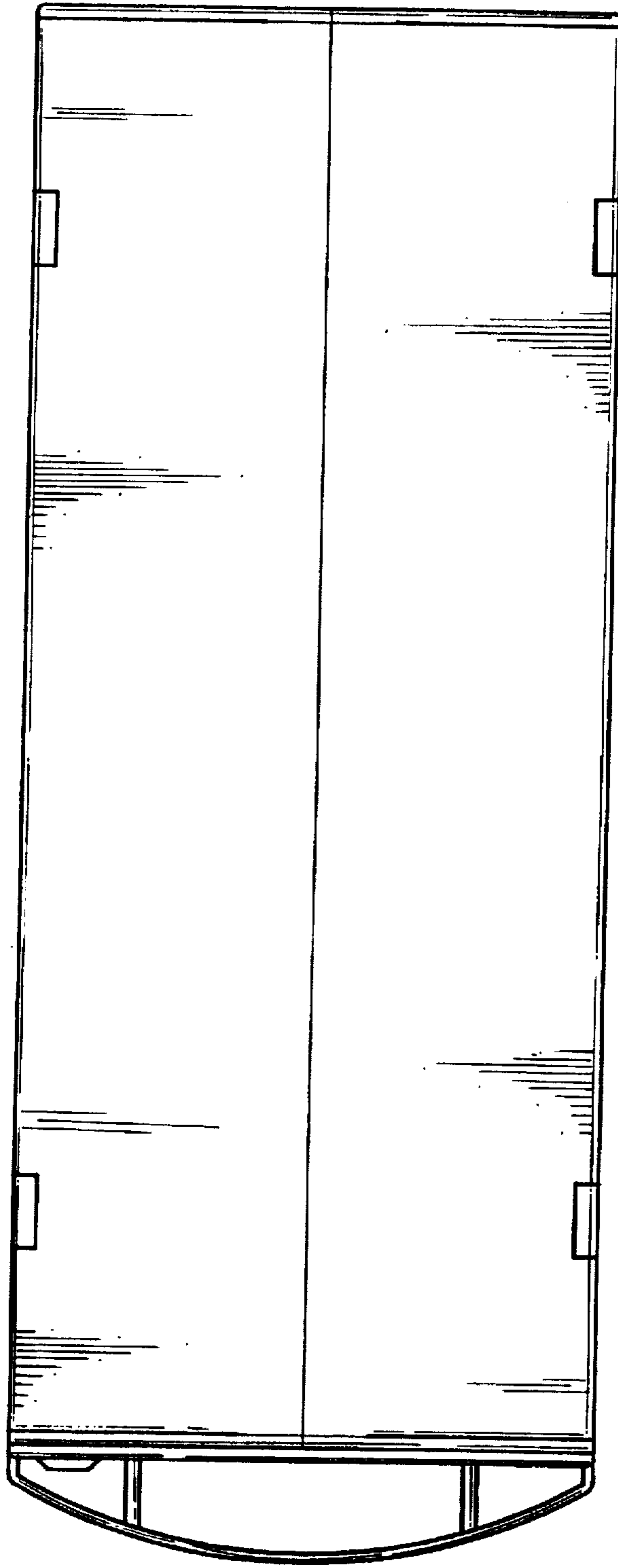


Fig. 6

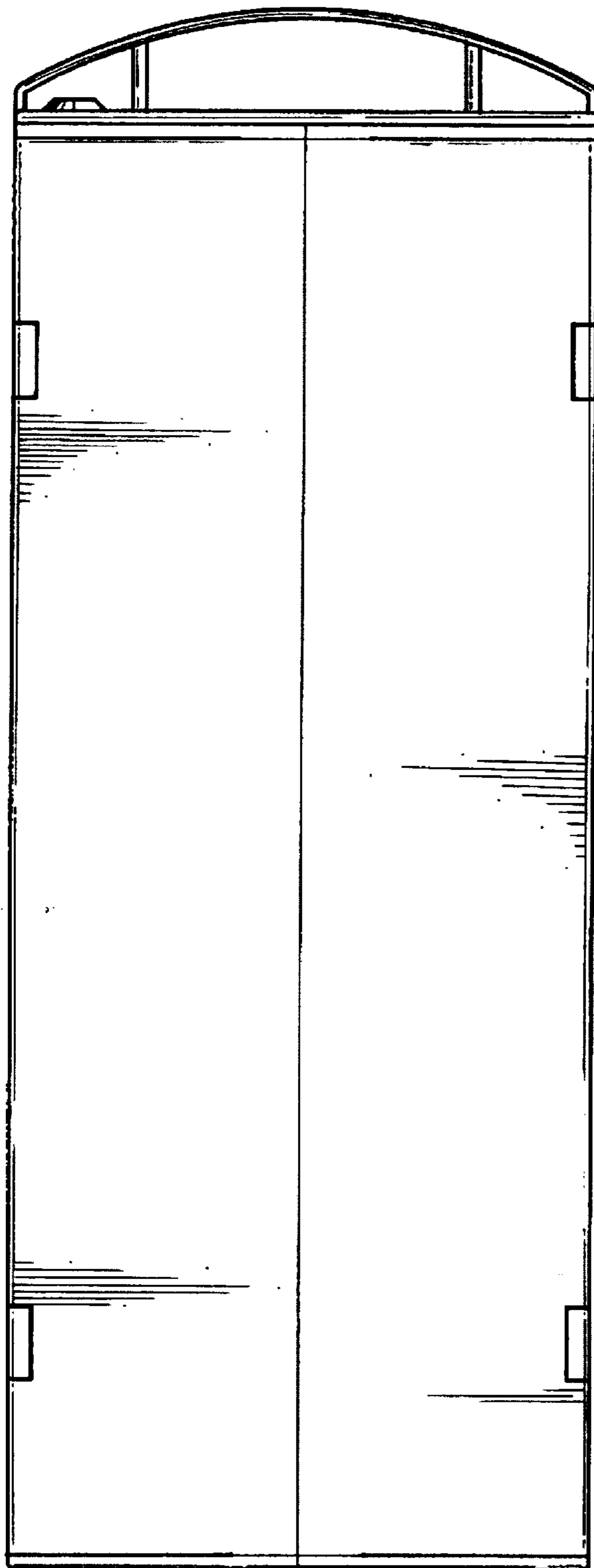


Fig. 7