



US00D387605S

United States Patent [19] Chiu

[11] Patent Number: **Des. 387,605**

[45] Date of Patent: ****Dec. 16, 1997**

[54] RACK FOR COMPACT DISKS

[76] Inventor: **Chin-hsiung Chiu**, No. 20, Lane 16,
Kuohua St., Chiayi City, Taiwan

[**] Term: **14 Years**

[21] Appl. No.: **62,827**

[22] Filed: **Nov. 26, 1996**

[51] LOC (6) Cl. **06-04**

[52] U.S. Cl. **D6/629; D6/465**

[58] Field of Search D6/407, 629, 630,
D6/627, 628, 462-465, 450, 458; 206/307,
309, 307.1, 308.1, 387.1, 387.15, 454, 445;
211/181, 40, 41, 42

[56] References Cited

U.S. PATENT DOCUMENTS

D. 331,166	11/1992	Ohadi	D6/407
D. 343,533	1/1994	David	D6/407
D. 351,528	10/1994	Dardashti	D6/468
D. 356,701	3/1995	Chu	D6/407
D. 364,979	12/1995	Thomas et al.	D6/407 X
D. 367,188	2/1996	Chiu	D6/407
1,652,114	12/1927	Gestrine	211/41 X
5,195,642	3/1993	Dardashti	211/40 X
5,370,242	12/1994	Huang	211/40

OTHER PUBLICATIONS

Attitudes magazine, p. 8, new pinnacle of cd towers, Oct. 1995.

Hammacher/Schlemer Catalog, p. 53, solid oak CD tower, Dec. 1993.

Orbit, New Introductions, #1712, 1713, & 1720, Jun. 1992.

Primary Examiner—Jeffrey Asch
Attorney, Agent, or Firm—Bacon & Thomas

[57] CLAIM

The ornamental design for a rack for compact disks, as shown and described.

DESCRIPTION

FIG. 1 is a perspective view from the front-right-bottom side of a rack for compact disks showing my design;

FIG. 2 is a front elevational view thereof;

FIG. 3 is a rear elevational view thereof;

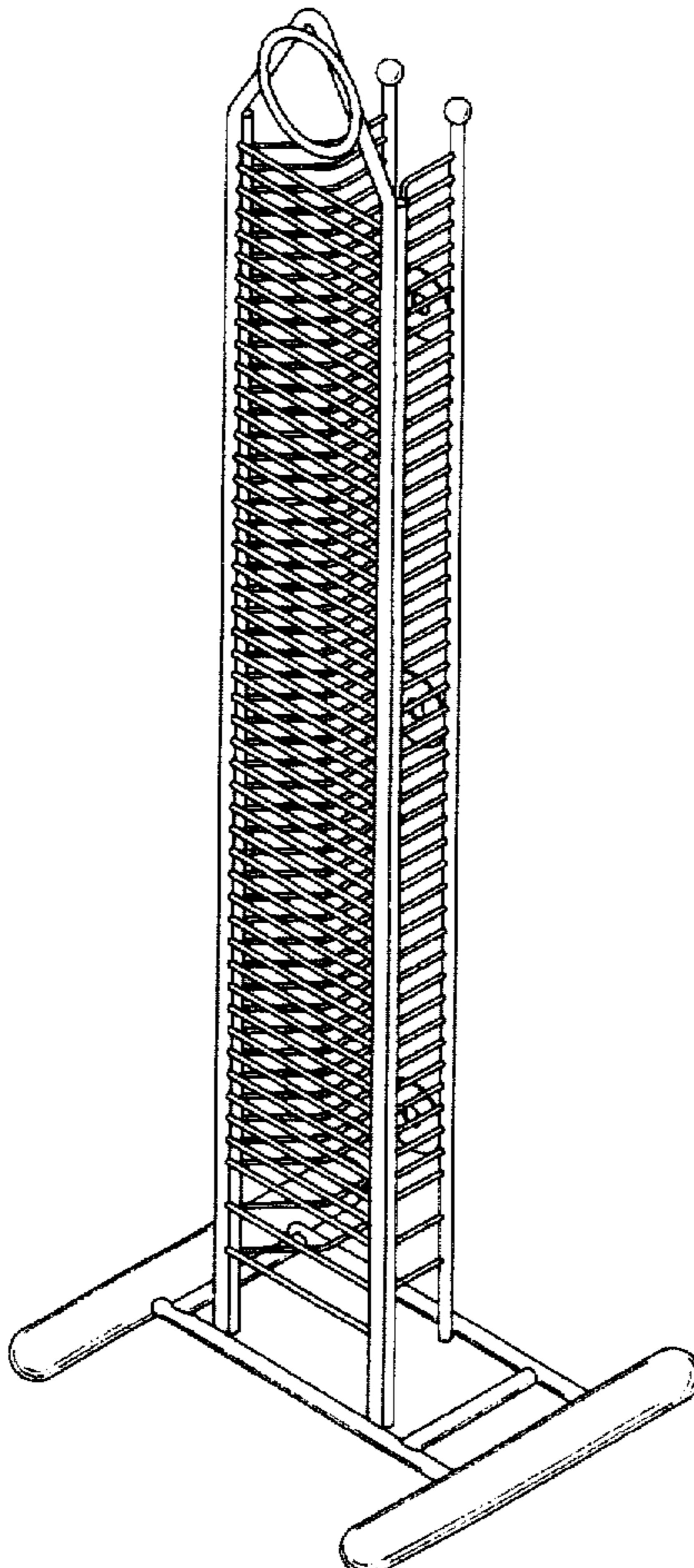
FIG. 4 is a left side elevational view thereof;

FIG. 5 is a right side elevational view thereof;

FIG. 6 is a top plan view thereof; and,

FIG. 7 is a bottom plan view thereof.

1 Claim, 4 Drawing Sheets



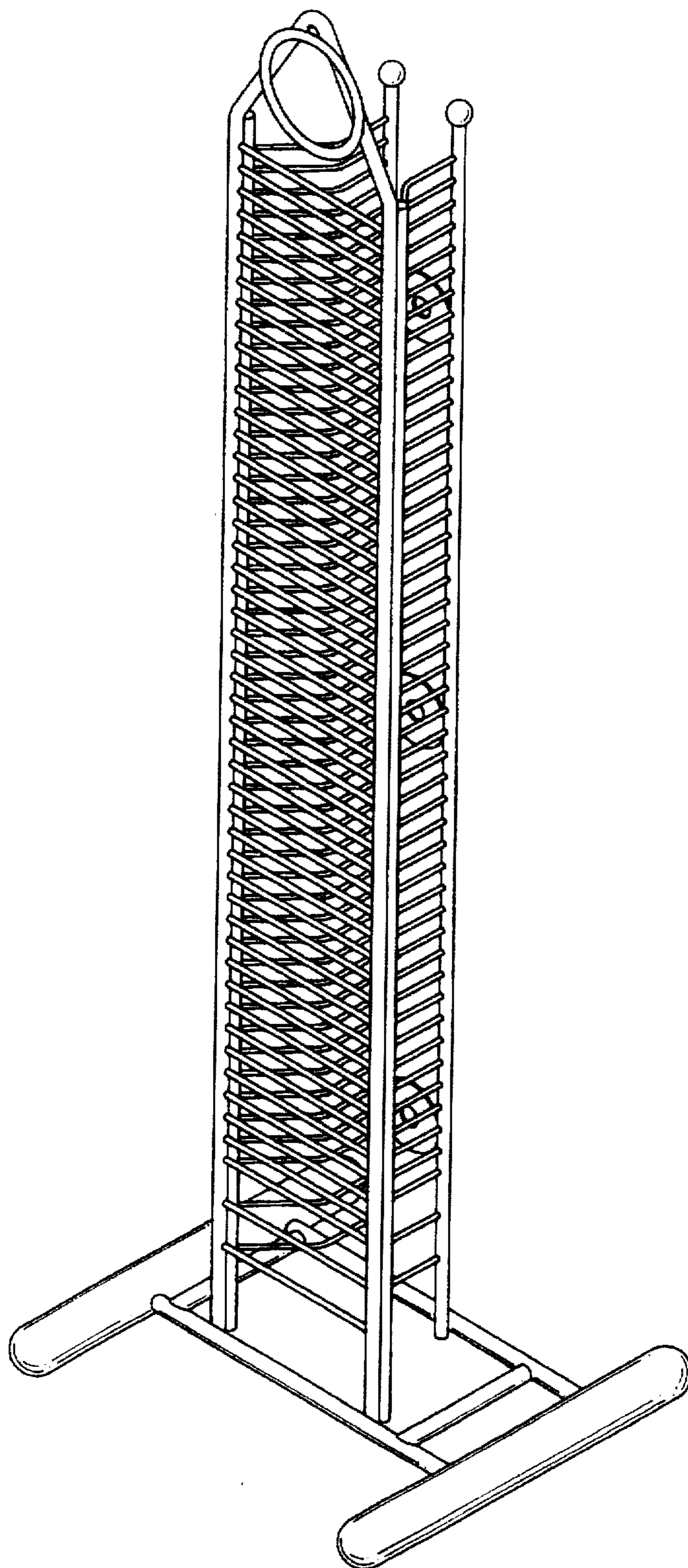


FIG. 1

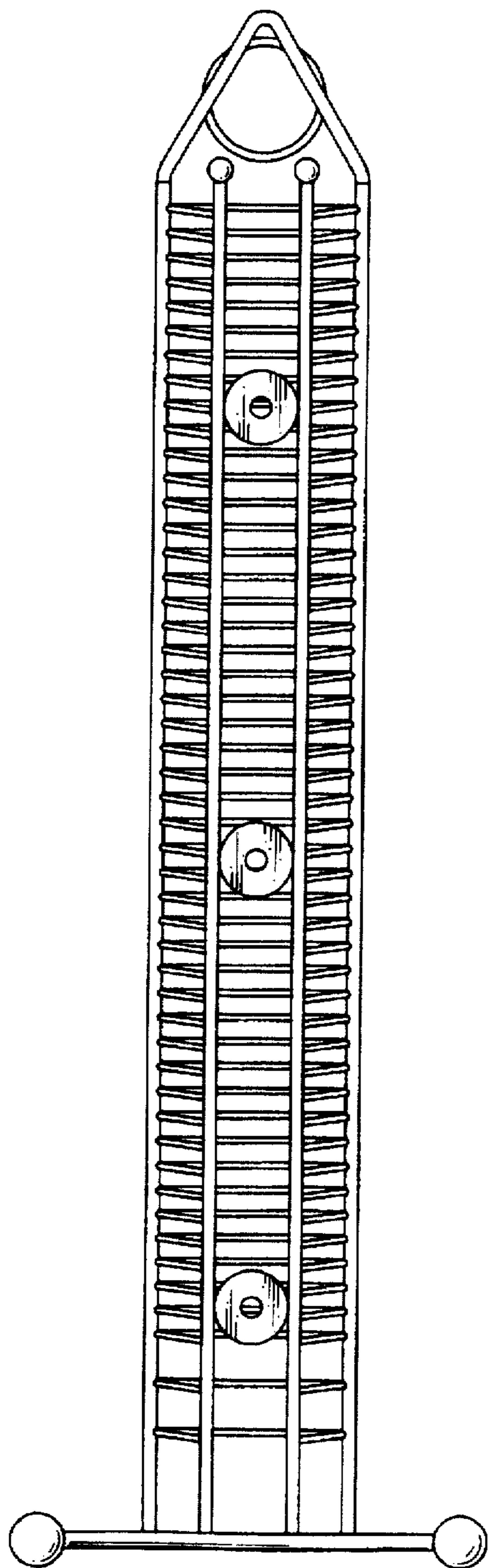


FIG. 3

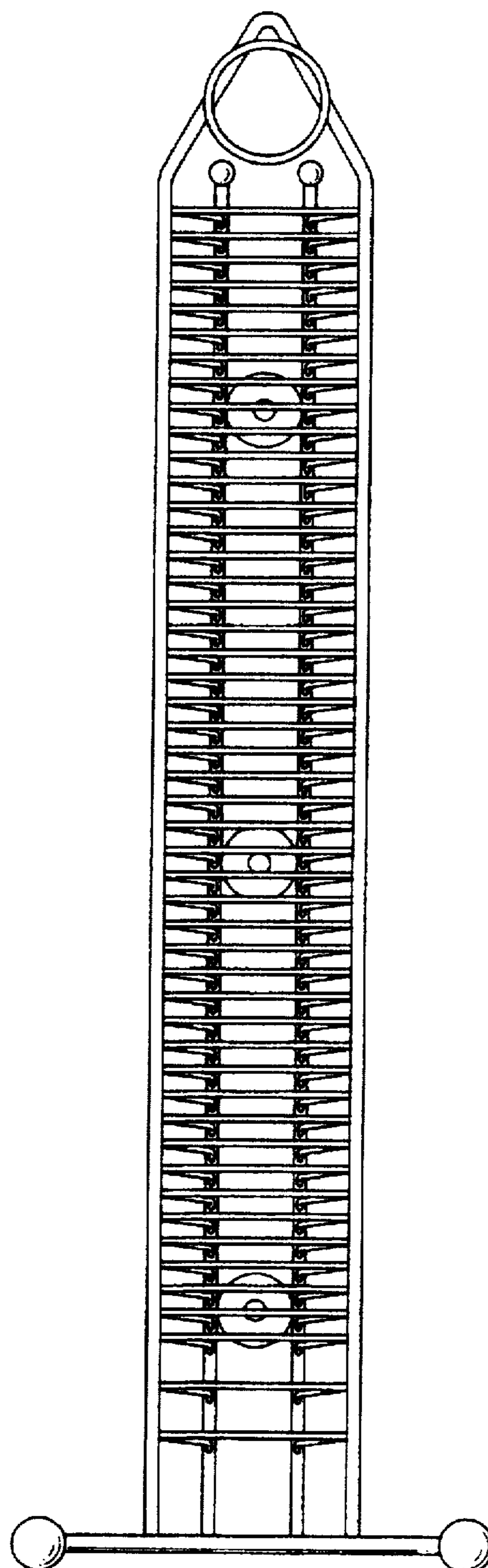


FIG. 2

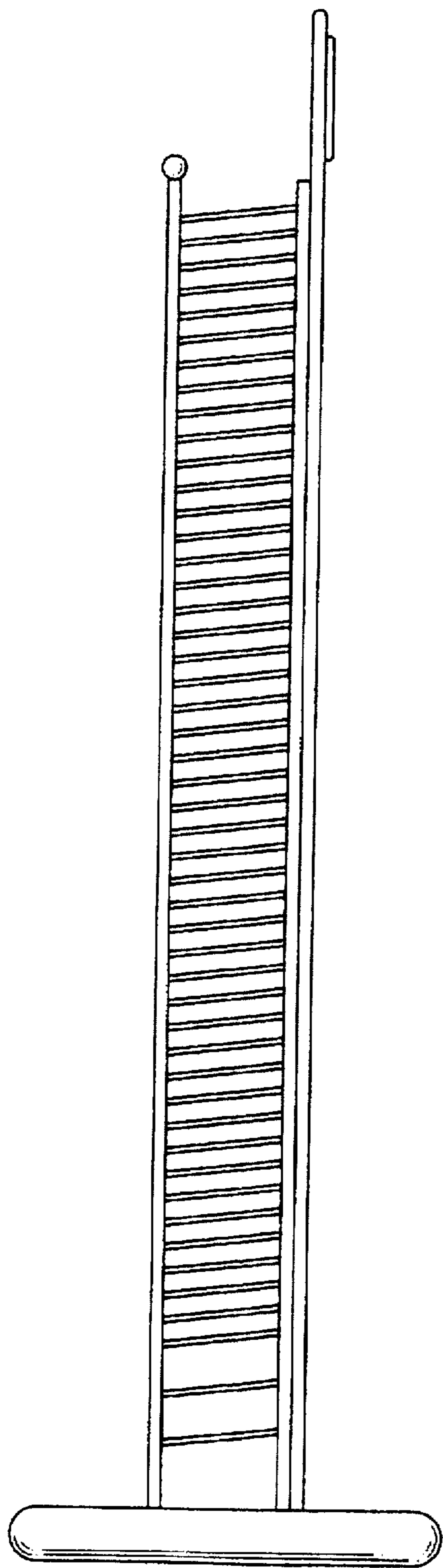


FIG. 4

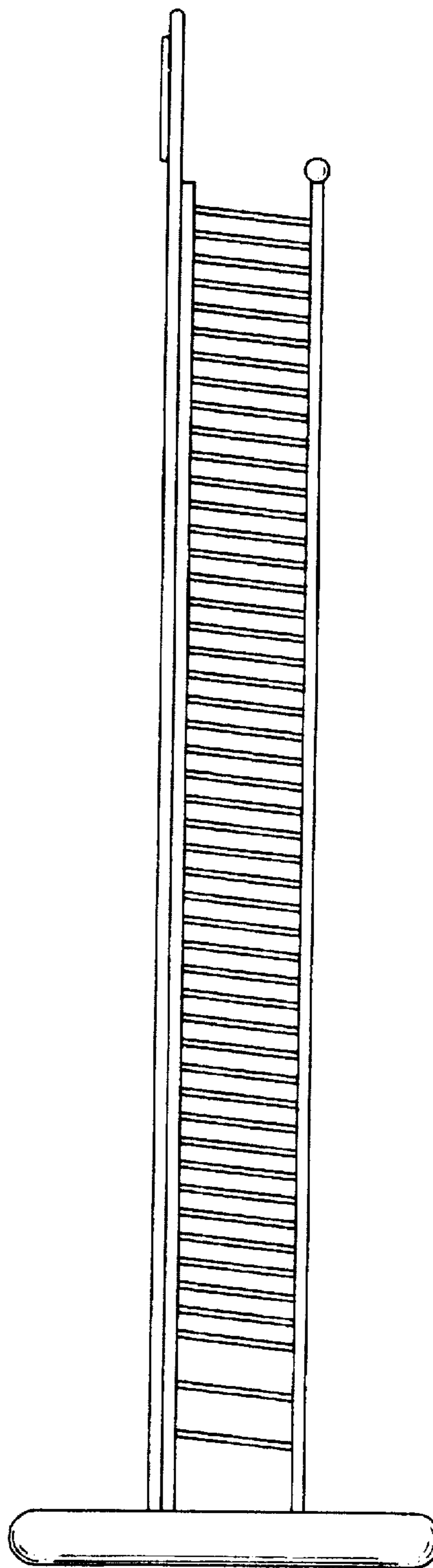


FIG. 5

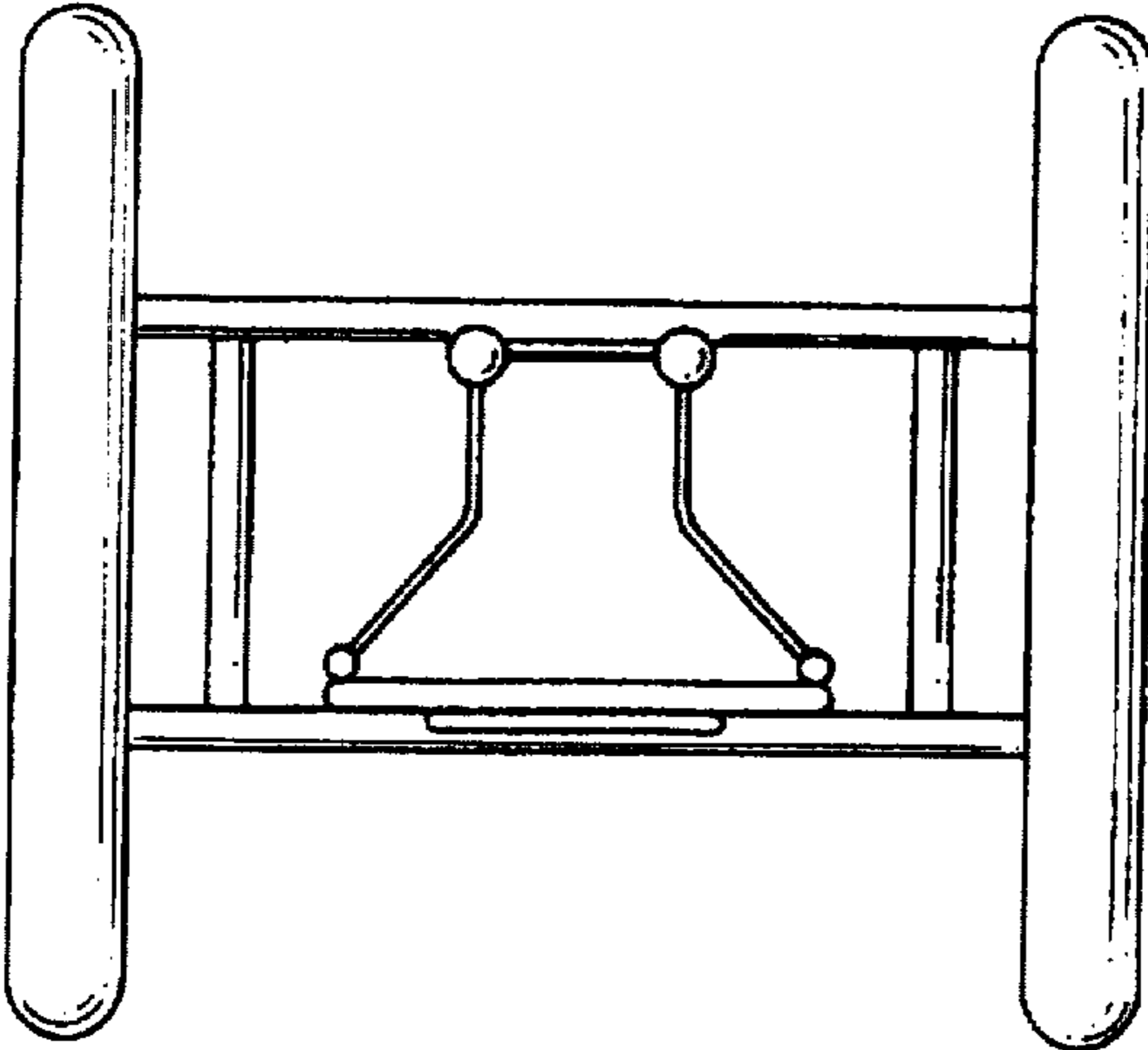


FIG. 6

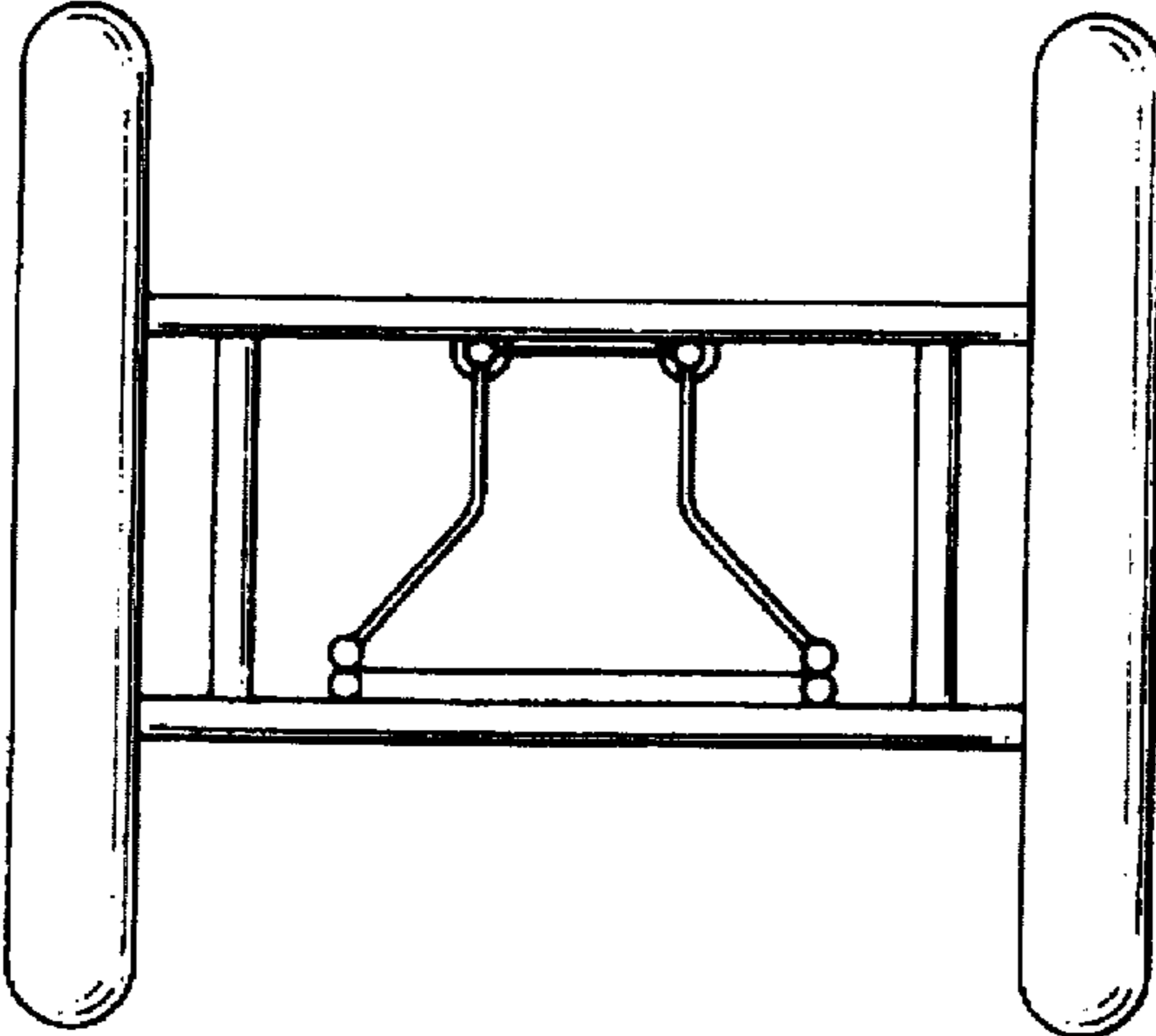


FIG. 7