



US00D387594S

# United States Patent [19] Whang

[11] Patent Number: **Des. 387,594**

[45] Date of Patent: **\*\*Dec. 16, 1997**

[54] **BATH TUB CADDY**

[75] Inventor: **Young-Sik Whang**, Morton Grove, Ill.

[73] Assignee: **Selfix, Inc.**, Chicago, Ill.

[\*\*] Term: **14 Years**

[21] Appl. No.: **66,419**

[22] Filed: **Feb. 14, 1997**

[51] LOC (6) Cl. .... **07-07**

[52] U.S. Cl. .... **D6/525**

[58] Field of Search ..... **D6/524, 525, 566;  
108/14, 137, 143**

[56] **References Cited**

**U.S. PATENT DOCUMENTS**

D. 211,189	5/1968	Barker	.....	D6/525
D. 264,158	5/1982	Thompson	.....	D6/525
D. 323,089	1/1992	Koerbel	.....	D6/525
D. 358,458	5/1995	Brightbill et al.	.....	D6/525

*Primary Examiner*—Brian N. Vinson  
*Attorney, Agent, or Firm*—Dressler, Rockey, Milnamow & Katz, Ltd.

[57] **CLAIM**

The ornamental design for a bath tub caddy, as shown and described.

**DESCRIPTION**

FIG. 1 is a perspective view of a bath tub caddy, showing my new design;

FIG. 2 is a right side elevational view thereof, the left side elevational view being the mirror image thereof;

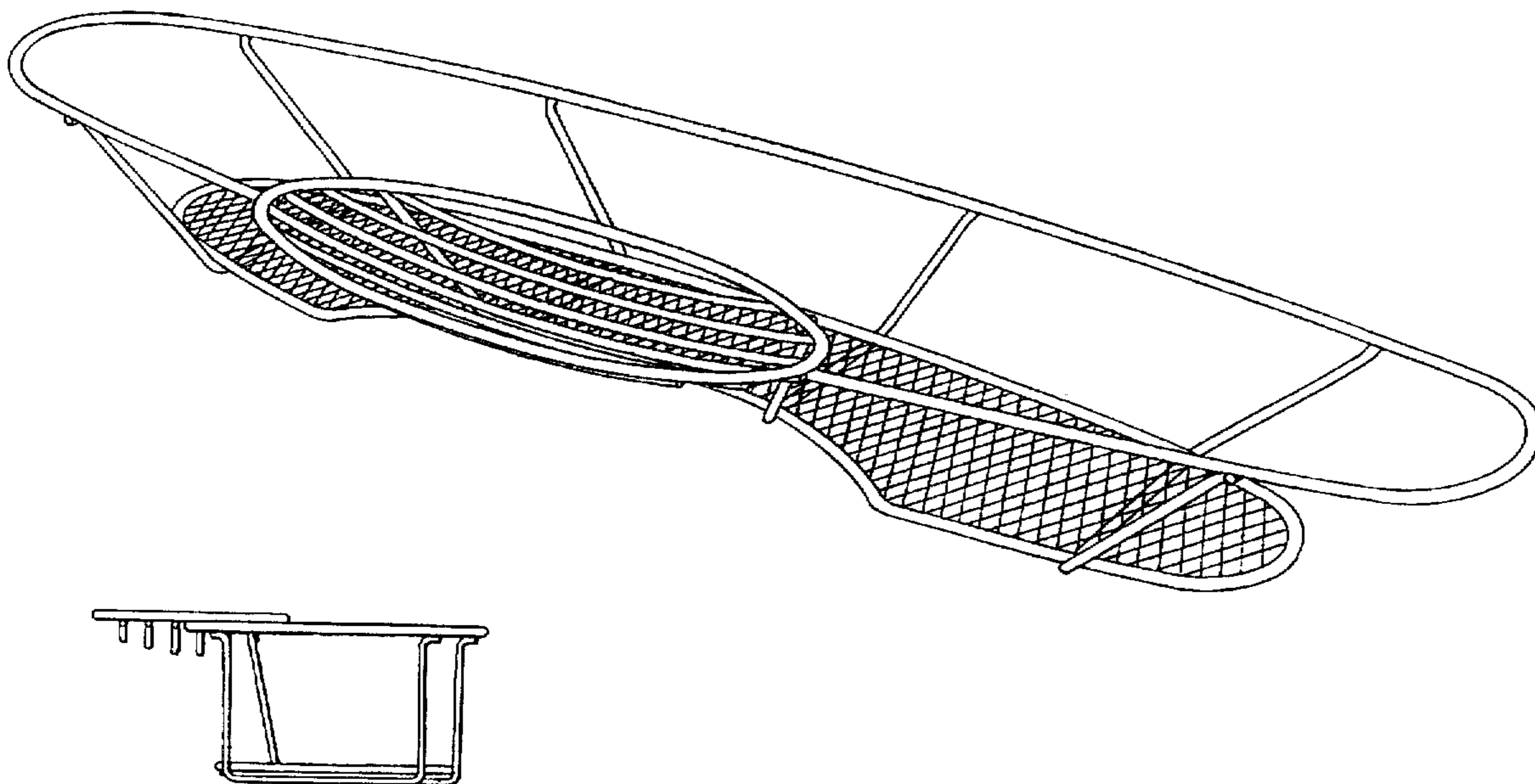
FIG. 3 is a front elevational view thereof;

FIG. 4 is a rear elevational view thereof;

FIG. 5 is a top plan view thereof; and,

FIG. 6 is a bottom plan view thereof.

**1 Claim, 3 Drawing Sheets**



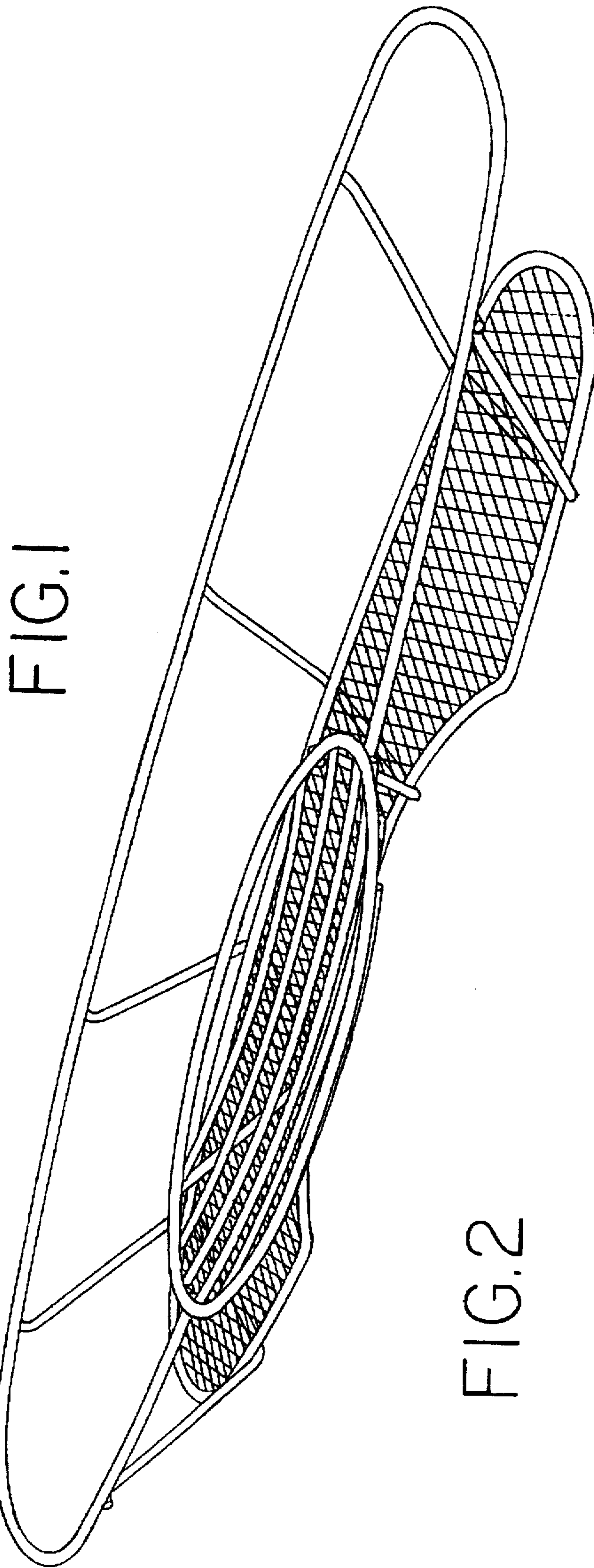


FIG. 1

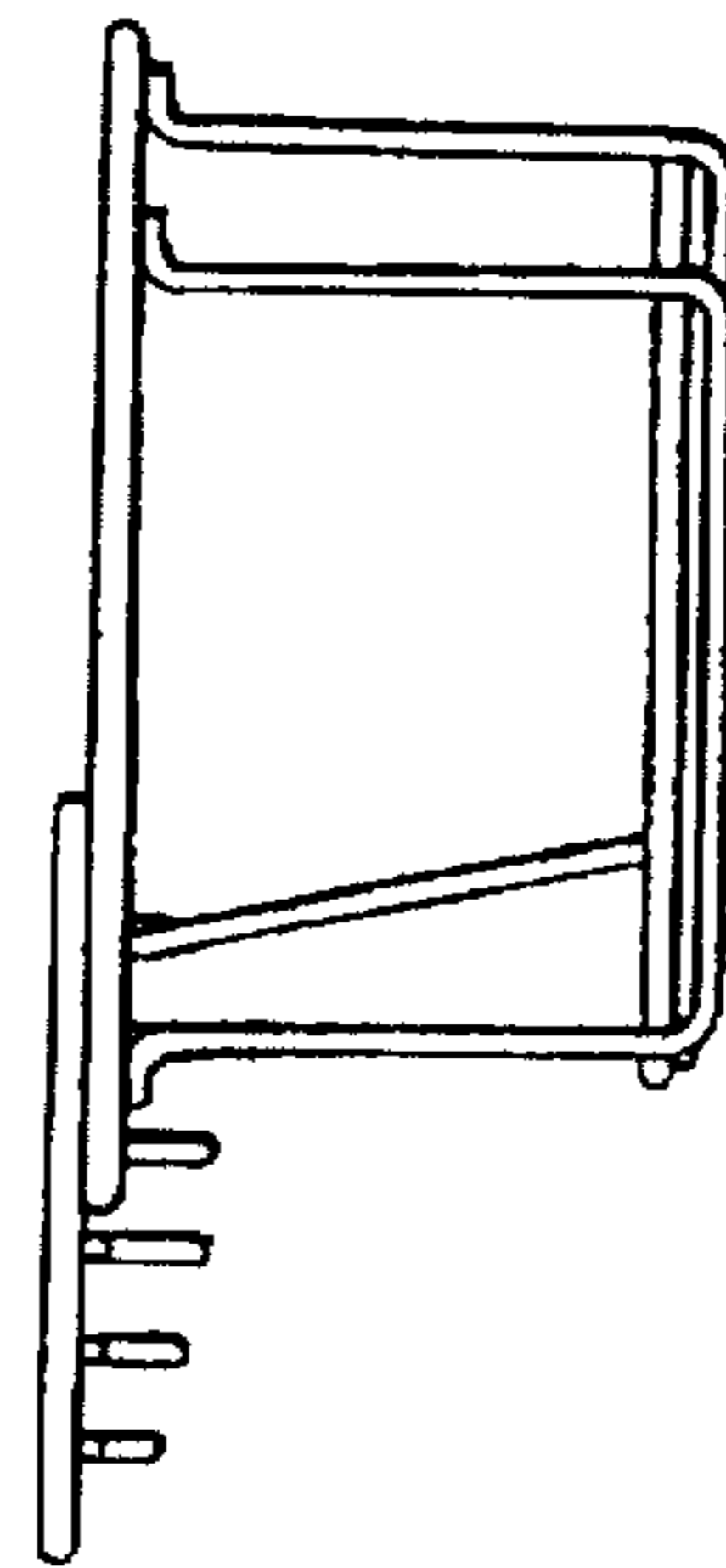


FIG. 2

FIG.3

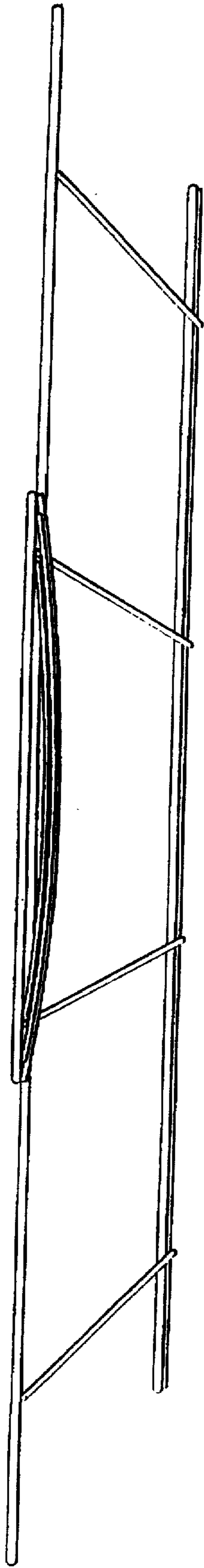


FIG.4

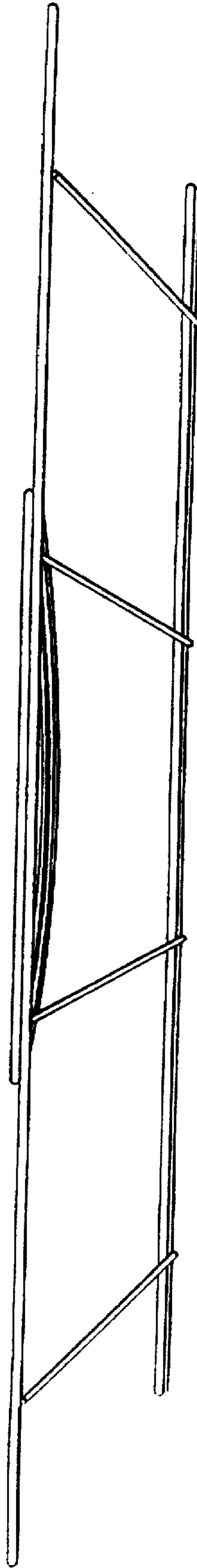


FIG.5

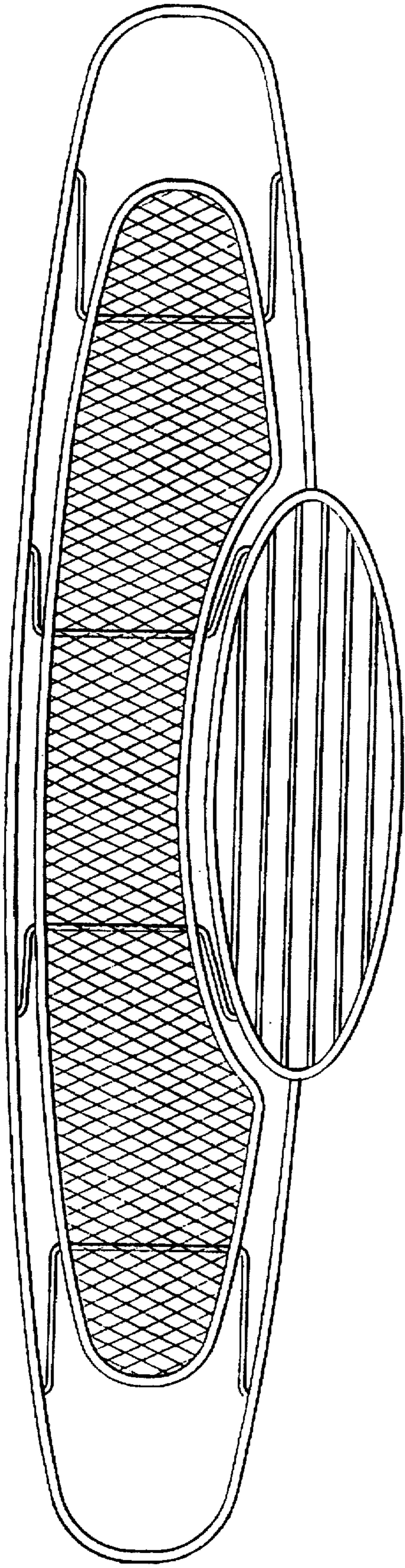


FIG.6

