



US00D387589S

United States Patent [19] Fukuda

[11] Patent Number: **Des. 387,589**
[45] Date of Patent: ****Dec. 16, 1997**

[54] **BATTERY HANGER**

[76] Inventor: **Frantz Takayoshi Fukuda**, 3008 Beverly Dr., Los Angeles, Calif. 90034

[**] Term: **14 Years**

[21] Appl. No.: **54,725**

[22] Filed: **May 20, 1996**

[51] LOC (6) Cl. **07-06**

[52] U.S. Cl. **D6/513**

[58] Field of Search D6/512-514, 567, D6/569-571; 206/733; 211/13-14, 26, 71, 86-87, 89; 248/176-177

[56] **References Cited**

U.S. PATENT DOCUMENTS

4,241,836	12/1980	Cousins	211/14
5,295,587	3/1994	Downes et al.	211/13
5,427,230	6/1995	Mattox	206/495 X

Primary Examiner—Susan J. Lucas
Assistant Examiner—Pamela Burgess
Attorney, Agent, or Firm—Edward Gray

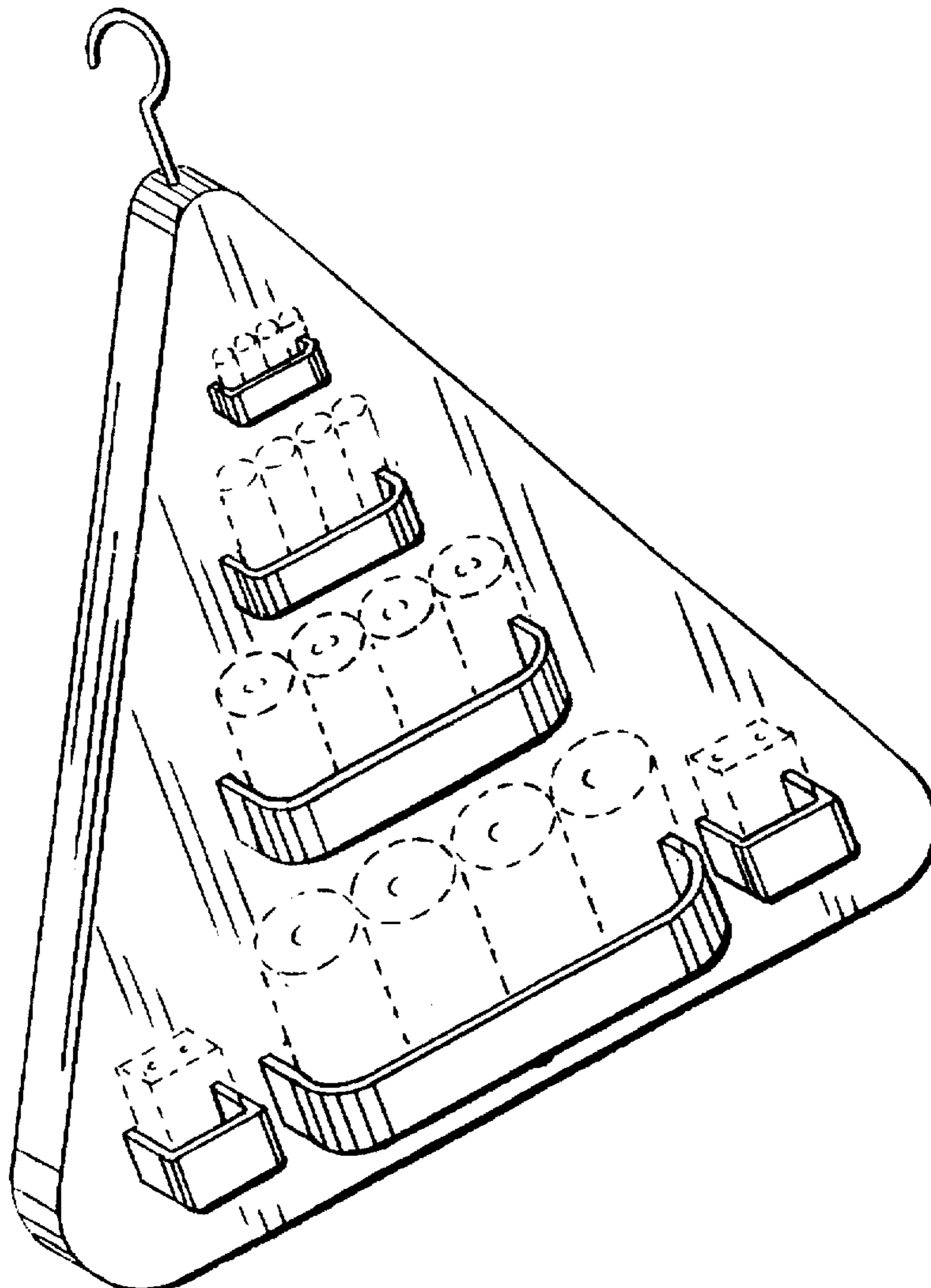
[57] **CLAIM**

The ornamental design for a battery hanger, as shown and described.

DESCRIPTION

FIG. 1 is a front perspective view of a battery hanger showing my new design;
FIG. 2 is a front elevational view thereof;
FIG. 3 is a rear elevational view thereof;
FIG. 4 is a left side elevational view thereof;
FIG. 5 is a right side elevational view thereof;
FIG. 6 is a top plan view thereof; and,
FIG. 7 is a bottom plan view thereof.
The broken lines shown in FIGS. 1, 2, 4, 5 and 6 are for illustrative purposes only and form no part of the claimed design.

1 Claim, 2 Drawing Sheets



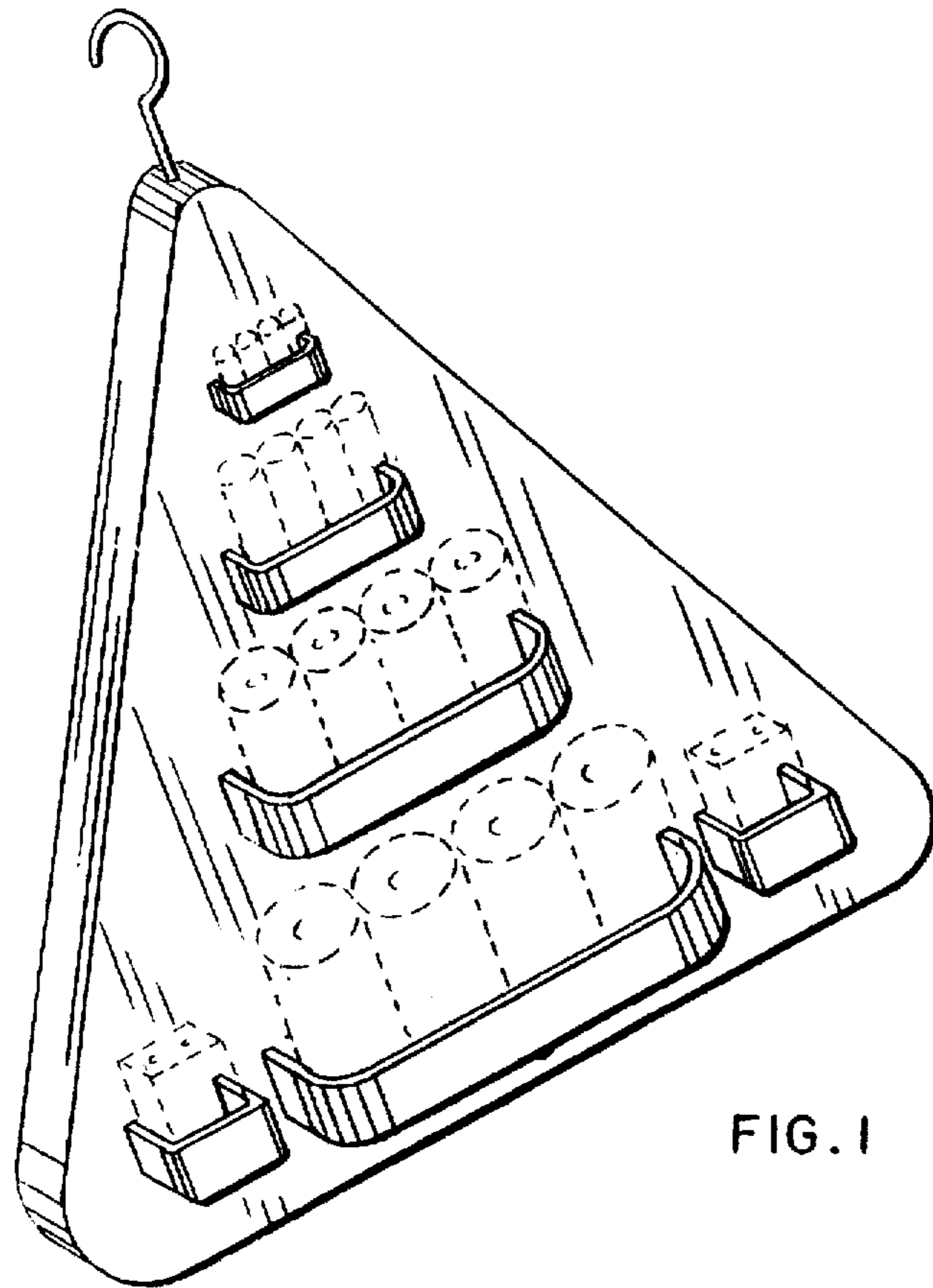


FIG. 1

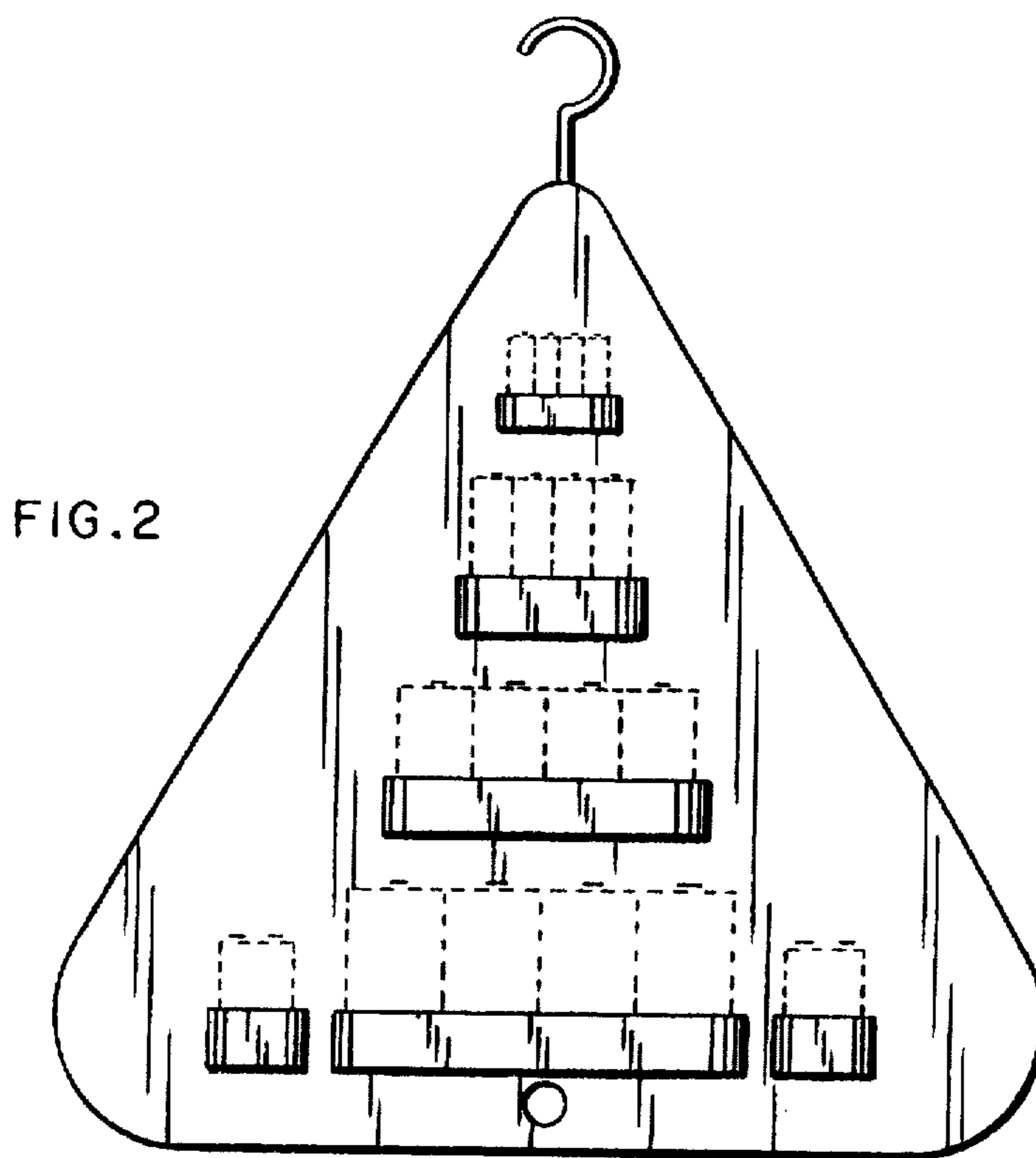


FIG. 2

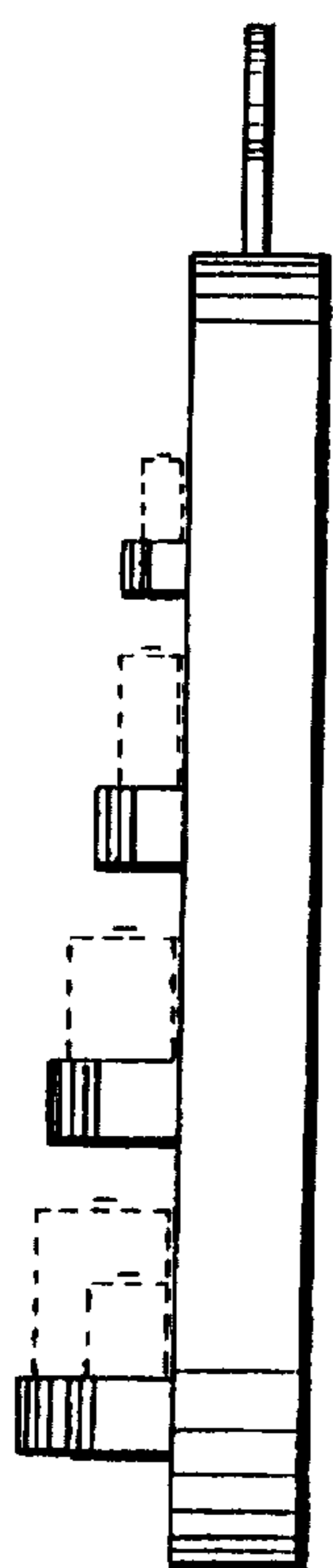
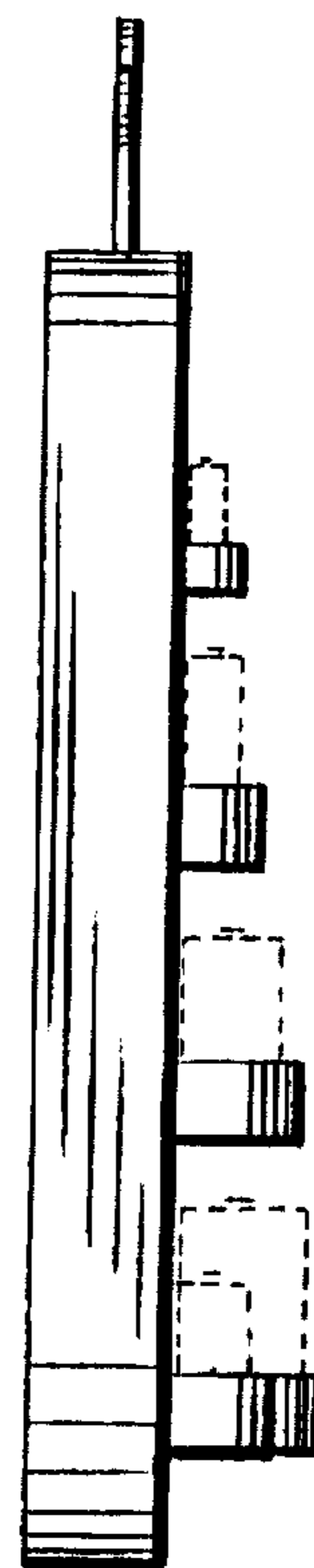
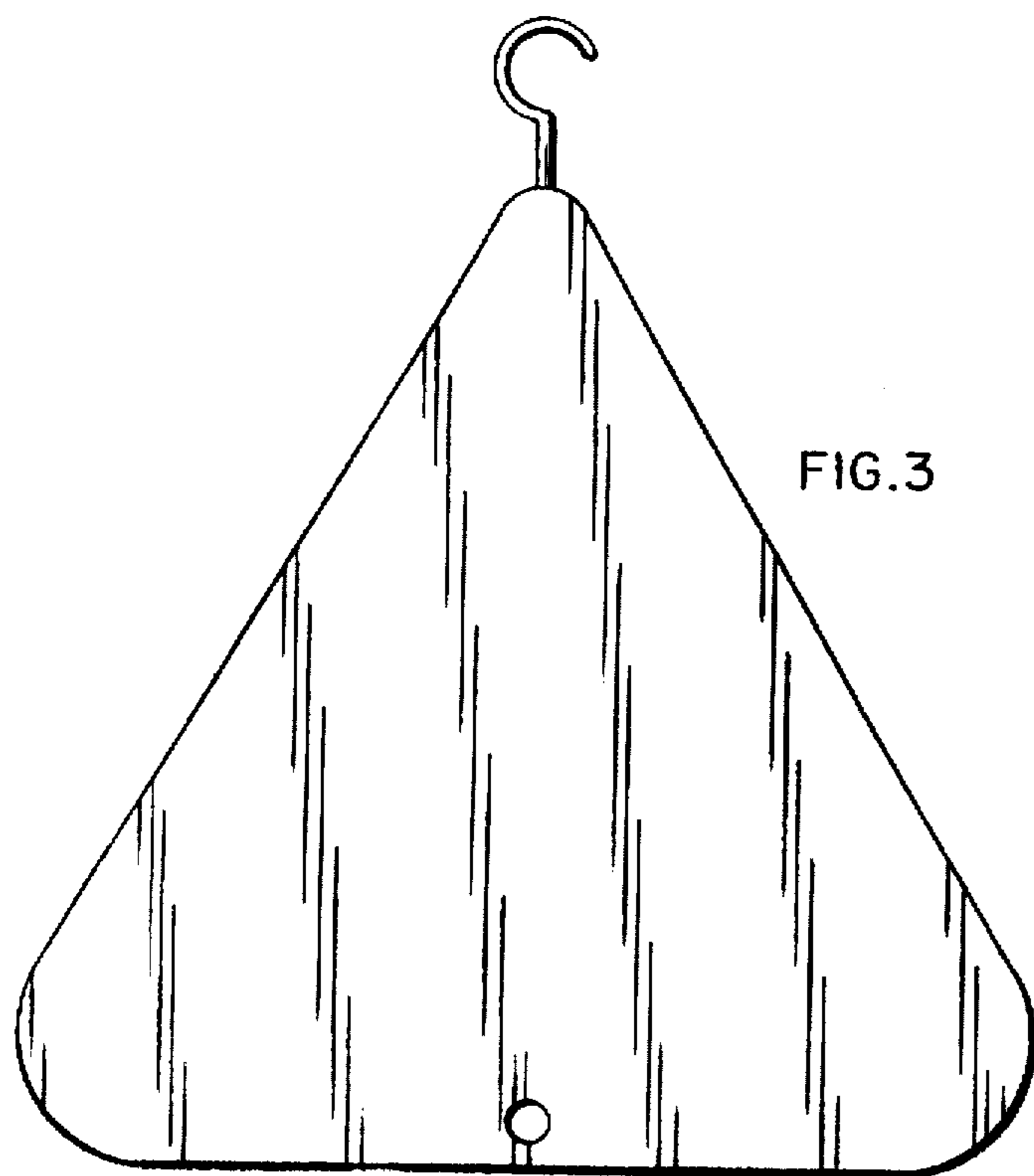


FIG. 5

FIG. 4

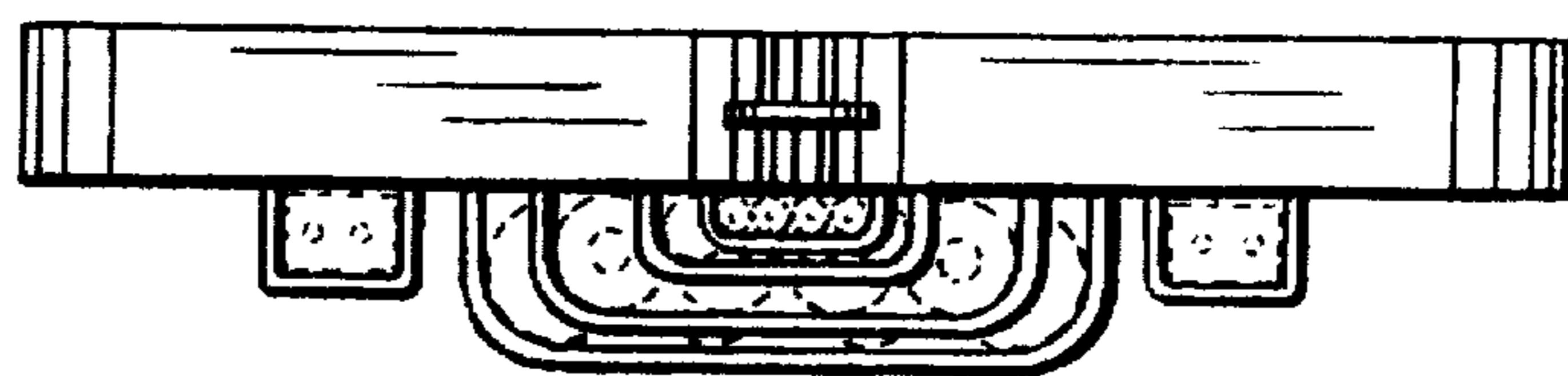


FIG. 6

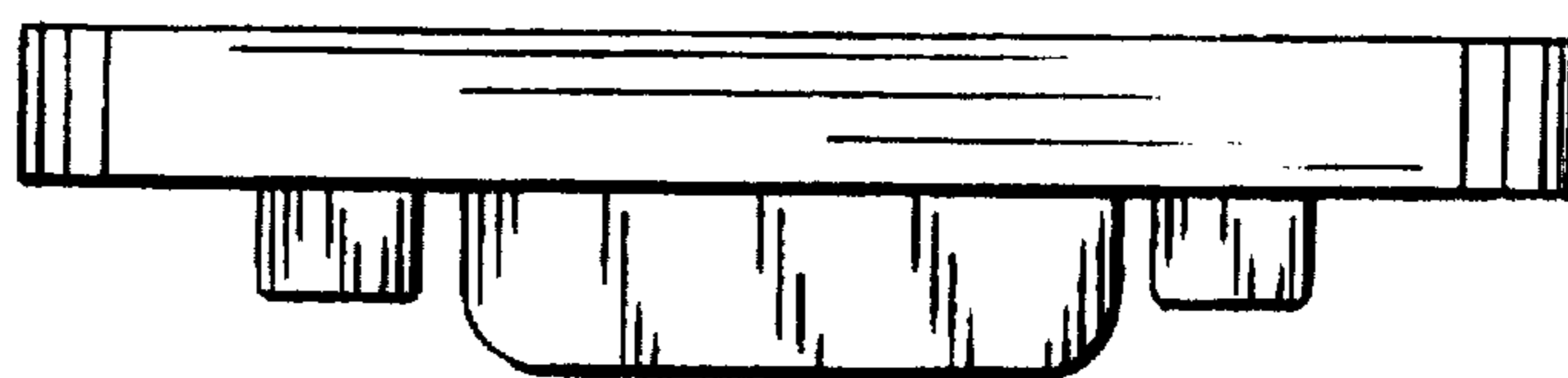


FIG. 7