



US00D387583S

United States Patent [19]

Shear

[11] Patent Number: **Des. 387,583**

[45] Date of Patent: ****Dec. 16, 1997**

[54] CHILDREN'S BLOCK TABLE

[75] Inventor: **Frederick H. Shear, Metairie, La.**

[73] Assignee: **Koala Corporation, Denver, Colo.**

[**] Term: **14 Years**

[21] Appl. No.: **41,444**

[22] Filed: **Jul. 14, 1995**

[51] LOC (6) Cl. **06-03**

[52] U.S. Cl. **D6/484; D6/480**

[58] Field of Search **D6/480-489, 429; D21/1; 108/13, 14, 25, 26, 38-40, 62; 446/71, 75**

[56] References Cited

U.S. PATENT DOCUMENTS

D. 362,142	9/1995	Yu-Chin	D6/484
3,364,882	1/1968	Merrick	108/25
3,557,856	1/1971	Berman	108/26 X
4,872,410	10/1989	Lilly	108/26
5,055,081	10/1991	Nayak	446/75
5,218,912	6/1993	Buske	108/26
5,421,270	6/1995	Kelly	108/25

OTHER PUBLICATIONS

Four page brochure by Resource Marketing Group, Inc. 11251 Richmond Ave., #F104, Houston, TX 7708.

Two page brochure by Table Toys, Inc. 2500 Central Pkwy. Ste. P, Houston, TX 77092.

*Primary Examiner—Janice E. Seeger
Attorney, Agent, or Firm—David L. Ray*

[57] CLAIM

The ornamental design for a children's block table, as shown and described.

DESCRIPTION

FIG. 1 is a top perspective view of a children's block table showing my new design;

FIG. 2 is an additional top perspective view of said table thereof with children's blocks thereon;

FIG. 3 is a side elevational view of said table;

FIG. 4 is a top view of said table;

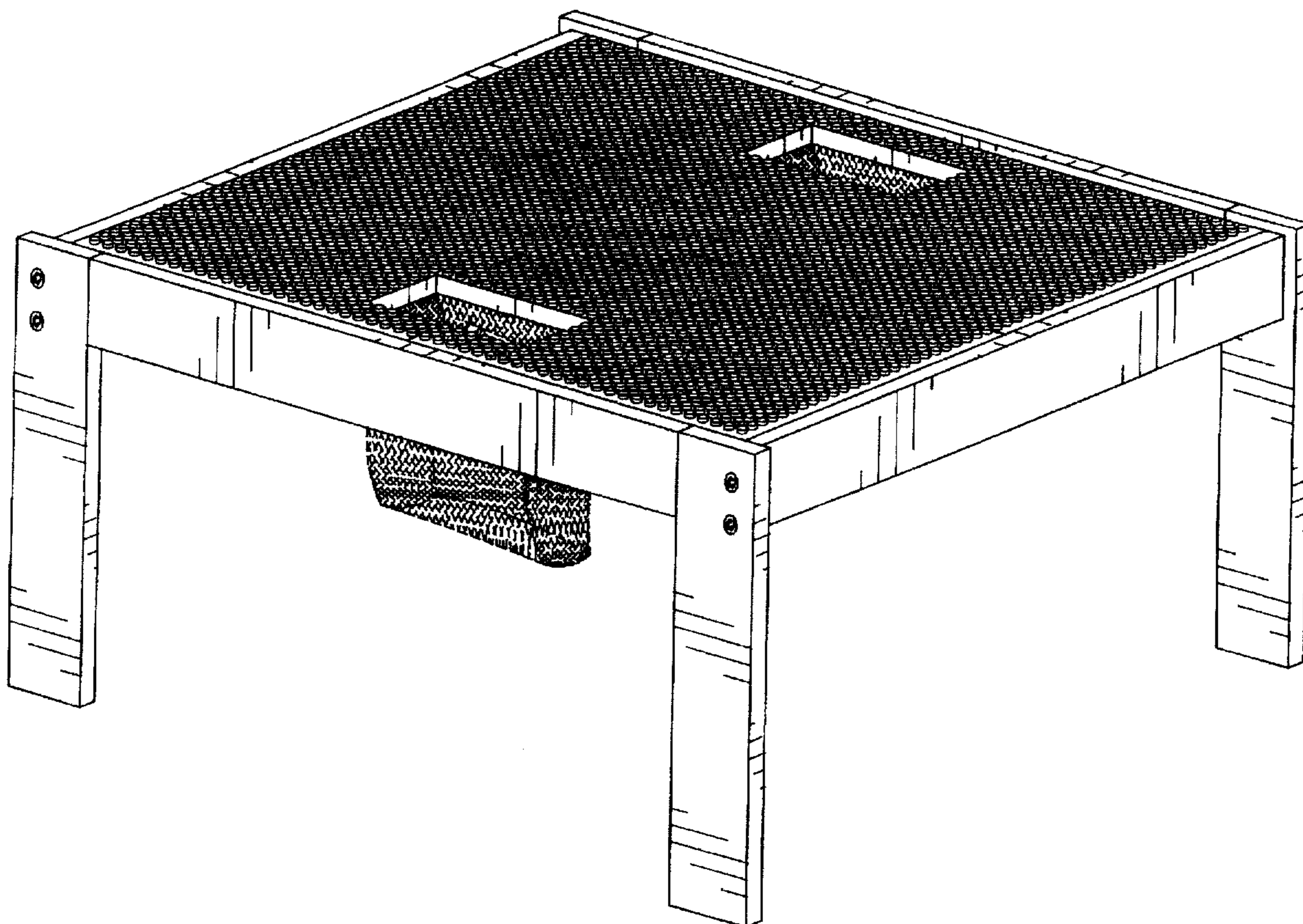
FIG. 5 is a bottom perspective view of said table;

FIG. 6 is a perspective view of a leg assembly removed from said table; and,

FIG. 7 is a detailed bottom perspective view of said table with the leg assembly shown in FIG. 6 removed therefrom.

The broken line showing of the pockets is for environmental purposes only and forms no part of the claimed design.

1 Claim, 5 Drawing Sheets



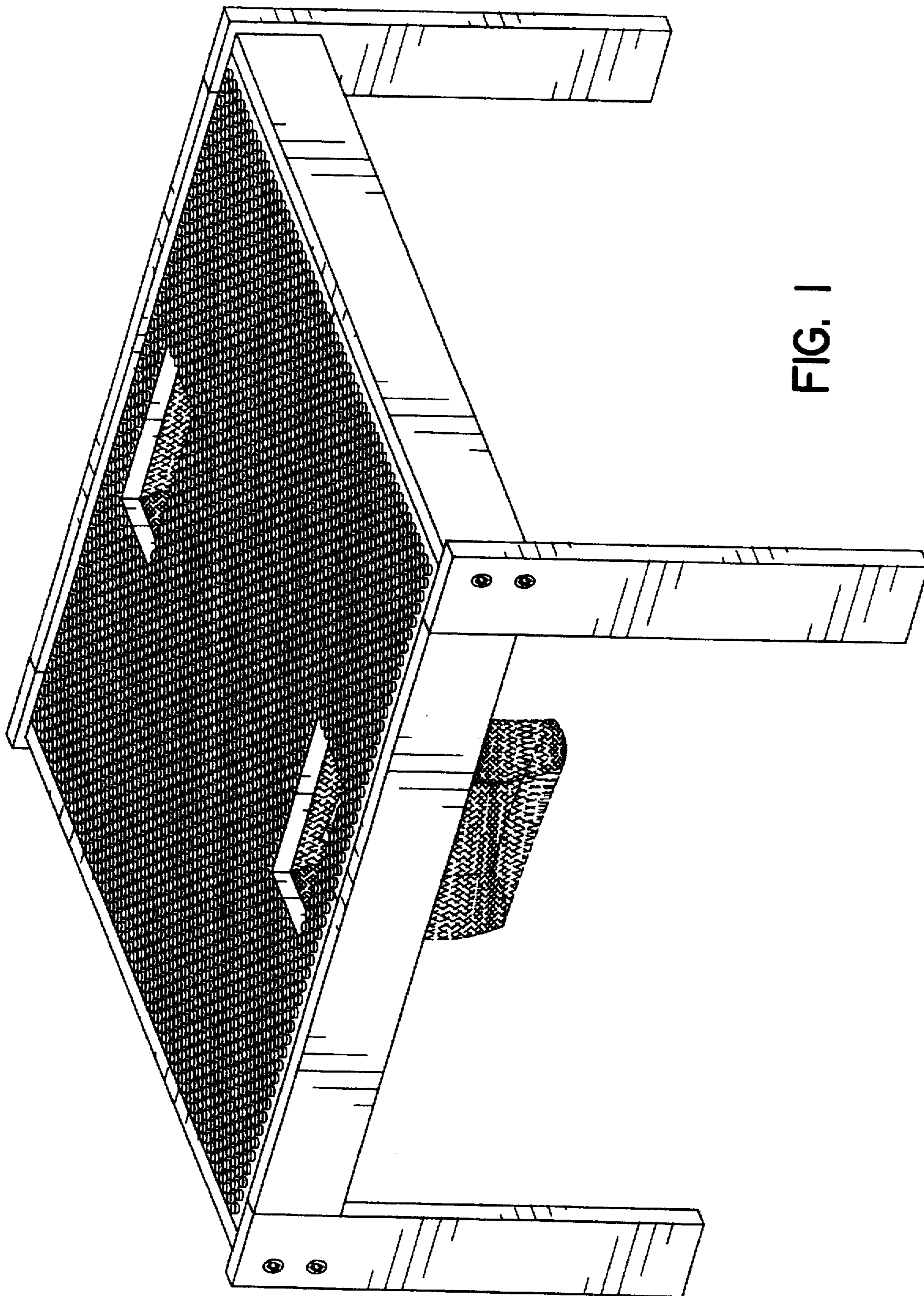


FIG. 1

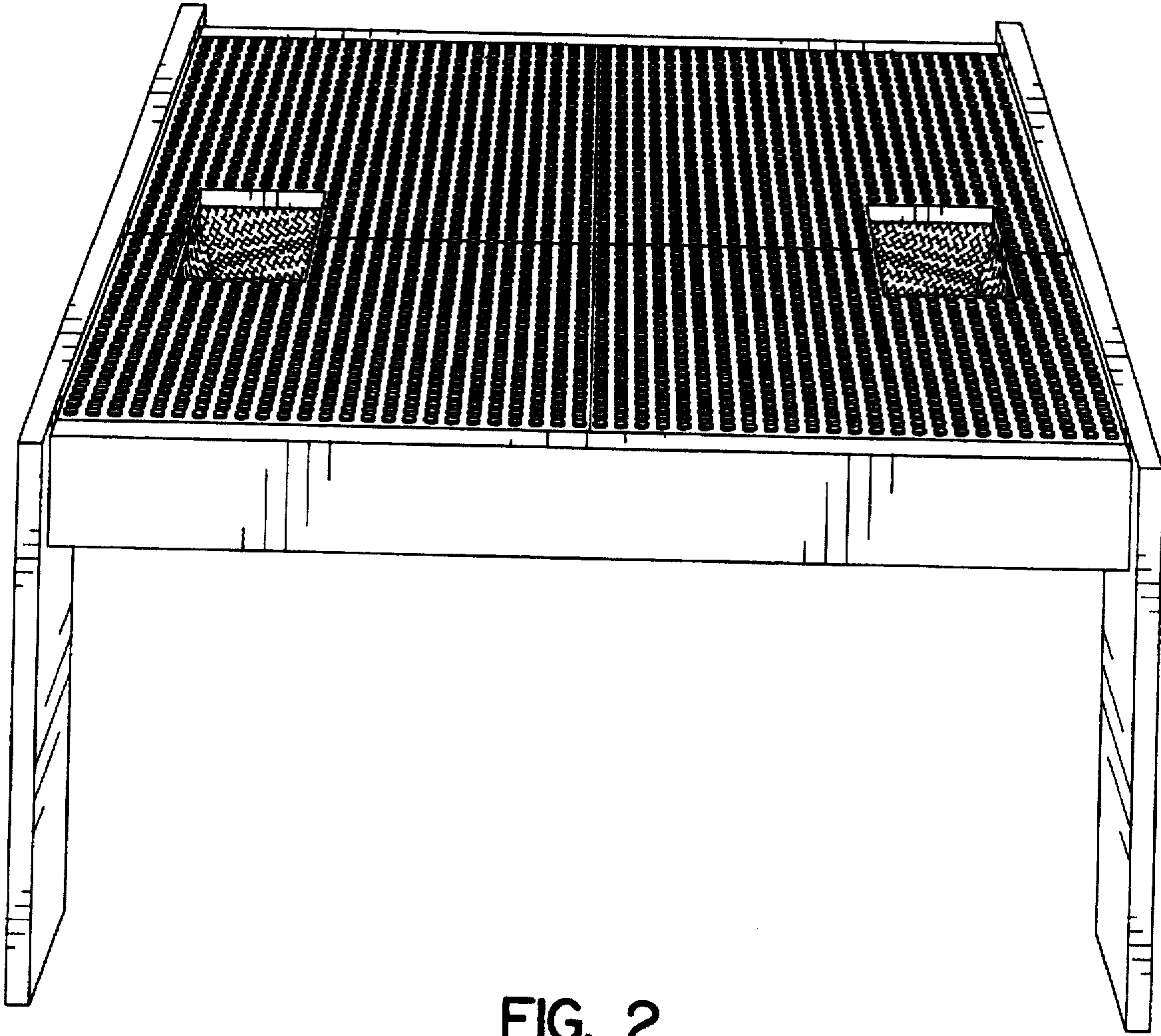


FIG. 2

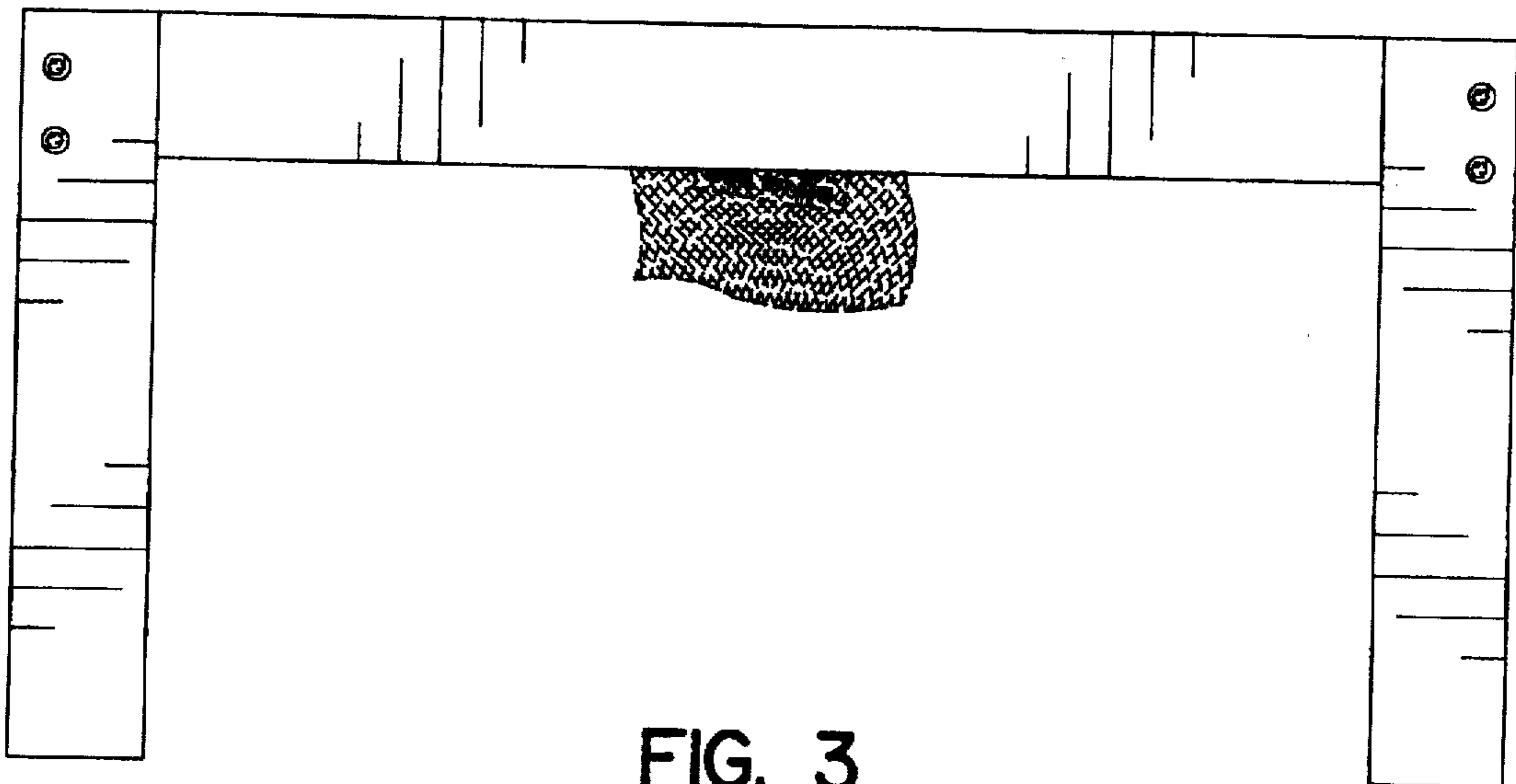


FIG. 3

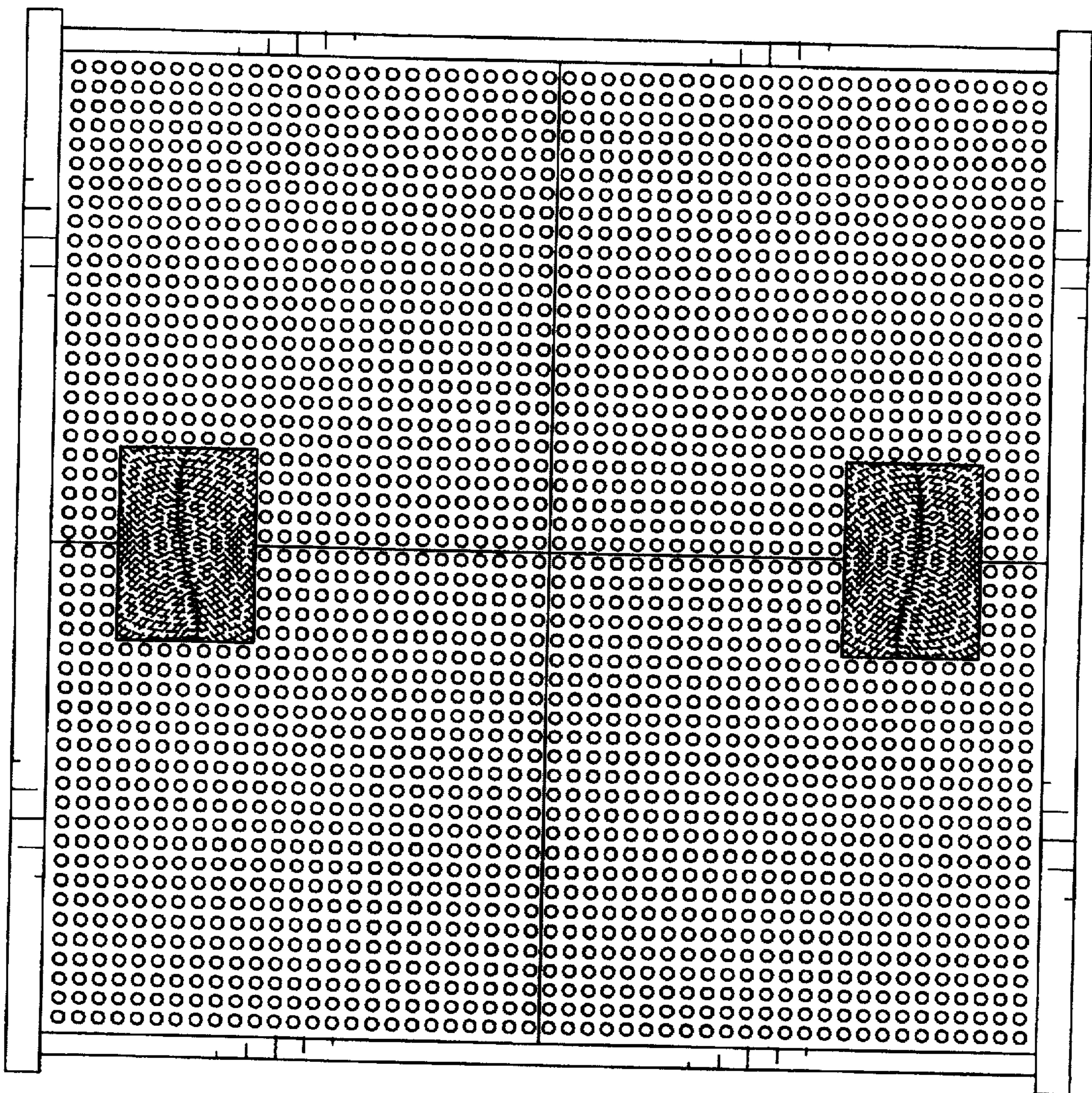


FIG. 4

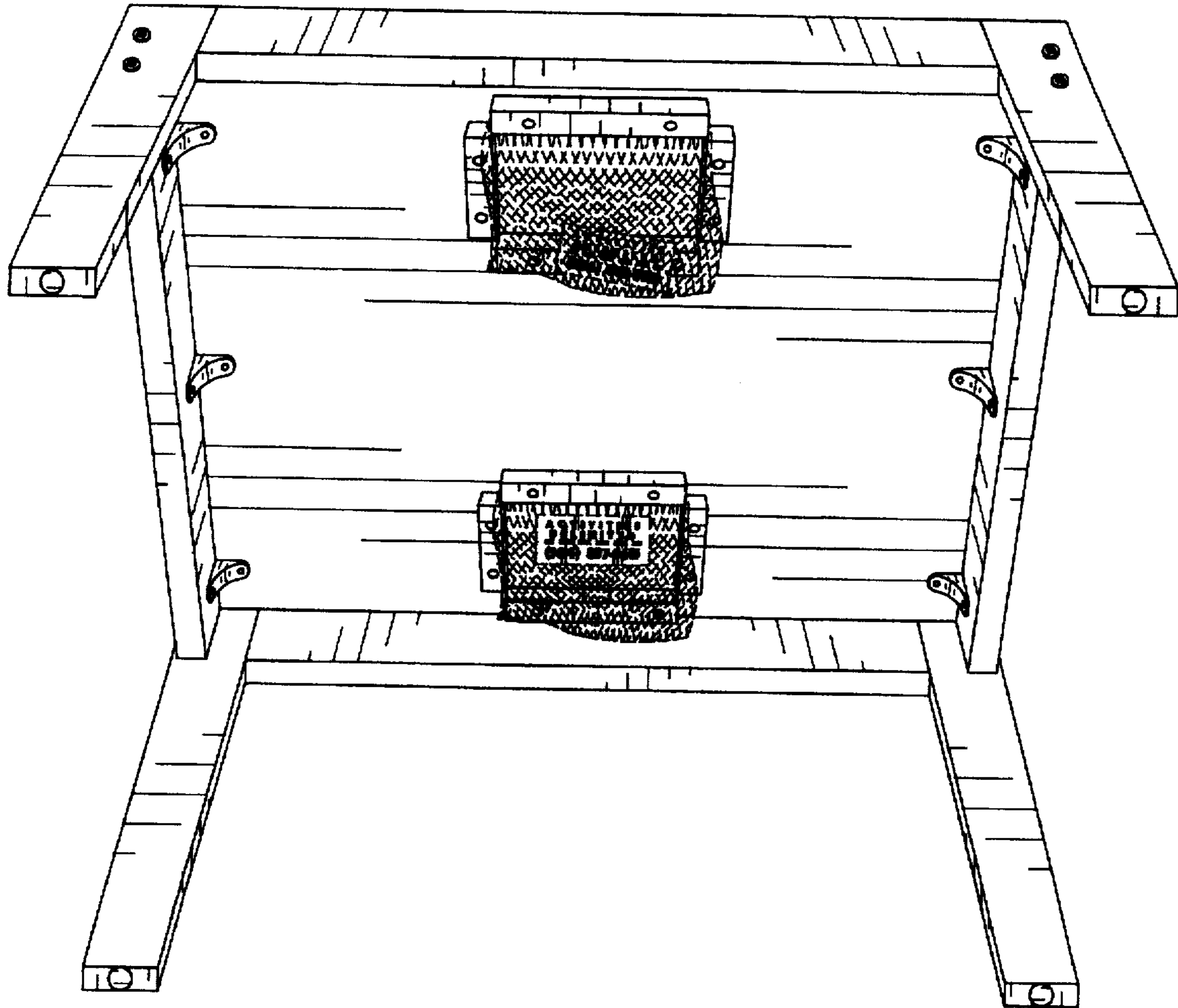


FIG. 5

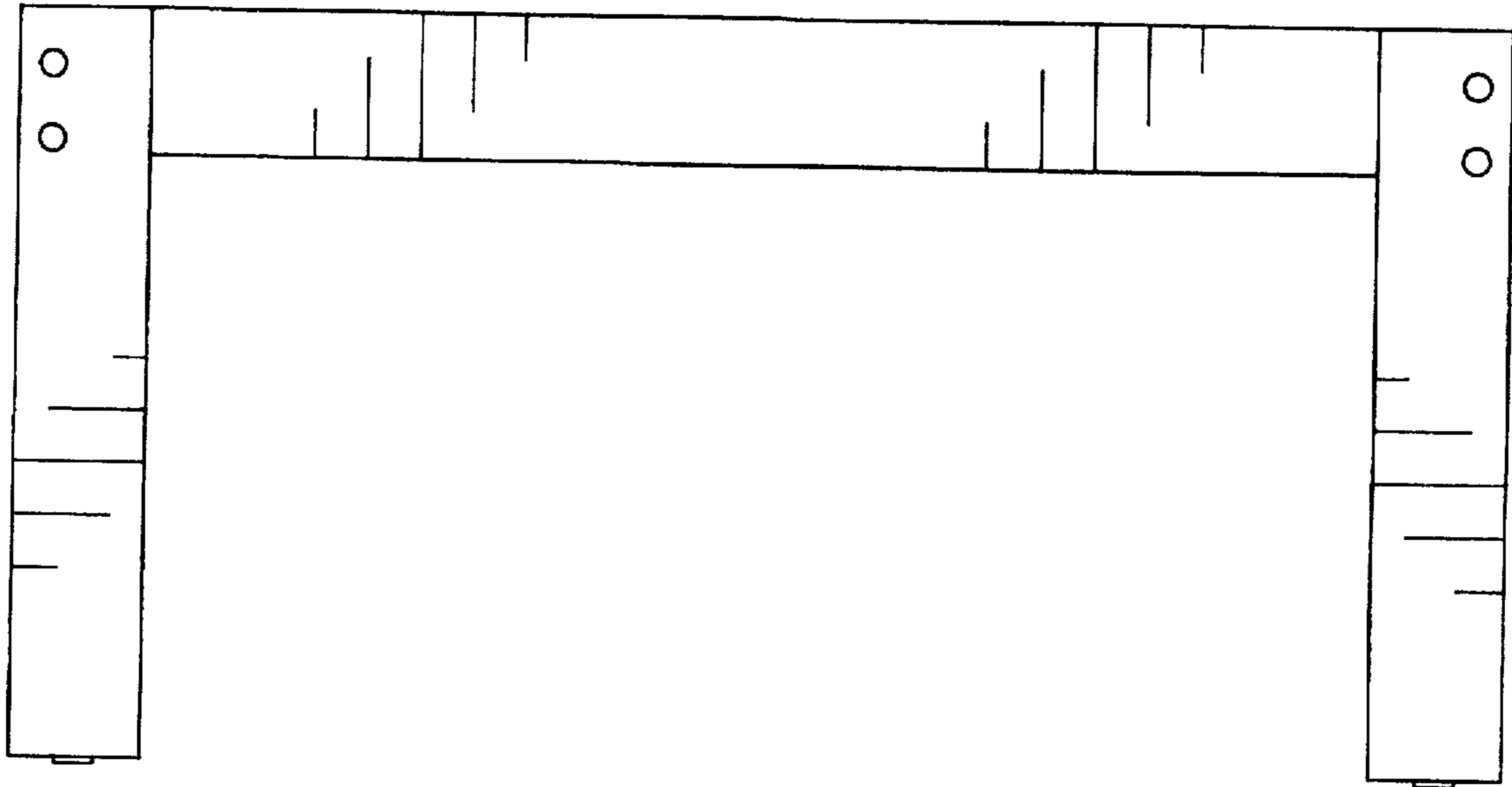


FIG. 6

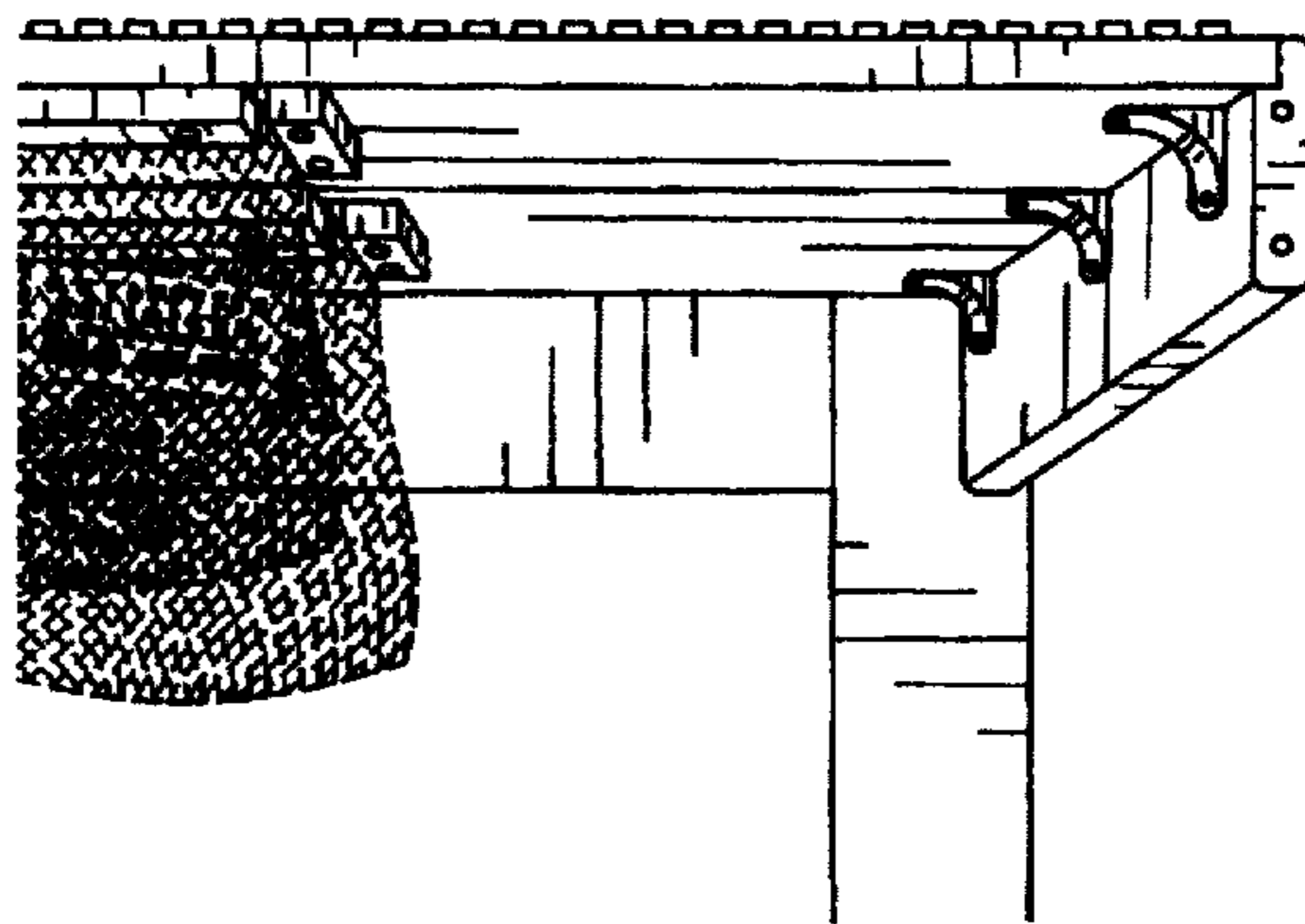


FIG. 7