



US00D387572S

United States Patent [19] Lewis

[11] Patent Number: **Des. 387,572**

[45] Date of Patent: ****Dec. 16, 1997**

[54] CHAISE

[76] Inventor: **Sally Sirkin Lewis**, 715 N. Canon Dr., Beverly Hills, Calif. 90210

[**] Term: **14 Years**

[21] Appl. No.: **57,712**

[22] Filed: **Jul. 30, 1996**

[51] LOC (6) Cl. **06-01**

[52] U.S. Cl. **D6/361**

[58] Field of Search D6/334, 335, 336,
D6/361, 375, 377, 381, 500, 501, 502;
5/12.1

[56] **References Cited**

U.S. PATENT DOCUMENTS

D. 87,579	8/1932	Hoey	D6/361
D. 182,842	5/1958	Lubberts et al.	D6/361
D. 202,887	11/1965	Melchior	D6/361
D. 261,830	11/1981	Marks	D6/361

OTHER PUBLICATIONS

Nic. Liesenbein's Sons ©1921, p. 113, Chaise #4503 at bottom.

Domus (Special Edition), Dec. 1978, p. 63, Chaise at top left.

Primary Examiner—Gary D. Watson
Attorney, Agent, or Firm—Marvin H. Kleinberg; Arant, Kleinberg, Lerner & Ram, LLP

[57] **CLAIM**

The ornamental design for a chaise, as shown and described.

DESCRIPTION

FIG. 1 is a perspective view of the chaise of the present invention;

FIG. 2 is a front view of the chaise of FIG. 1;

FIG. 3 is a top view of the chaise of FIG. 1;

FIG. 4 is a bottom view of the chaise of FIG. 1;

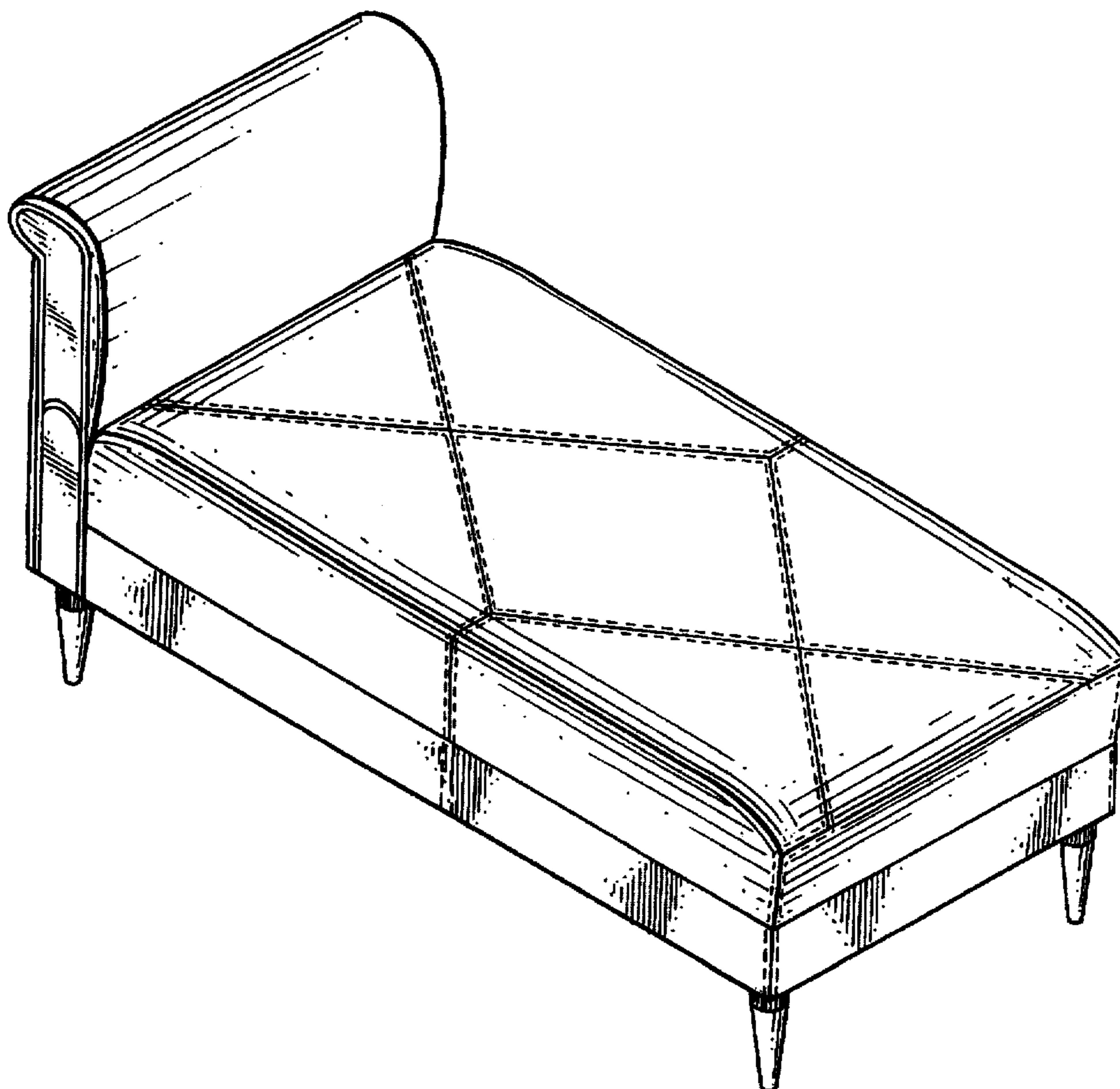
FIG. 5 is a left side view of the chaise of FIG. 1; and,

FIG. 6 is a right side view of the chaise of FIG. 1.

The chaise is symmetrical and the front and back views are substantially identical.

The broken lines shown in FIGS. 1 through 3 and 6 represent stitching.

1 Claim, 2 Drawing Sheets



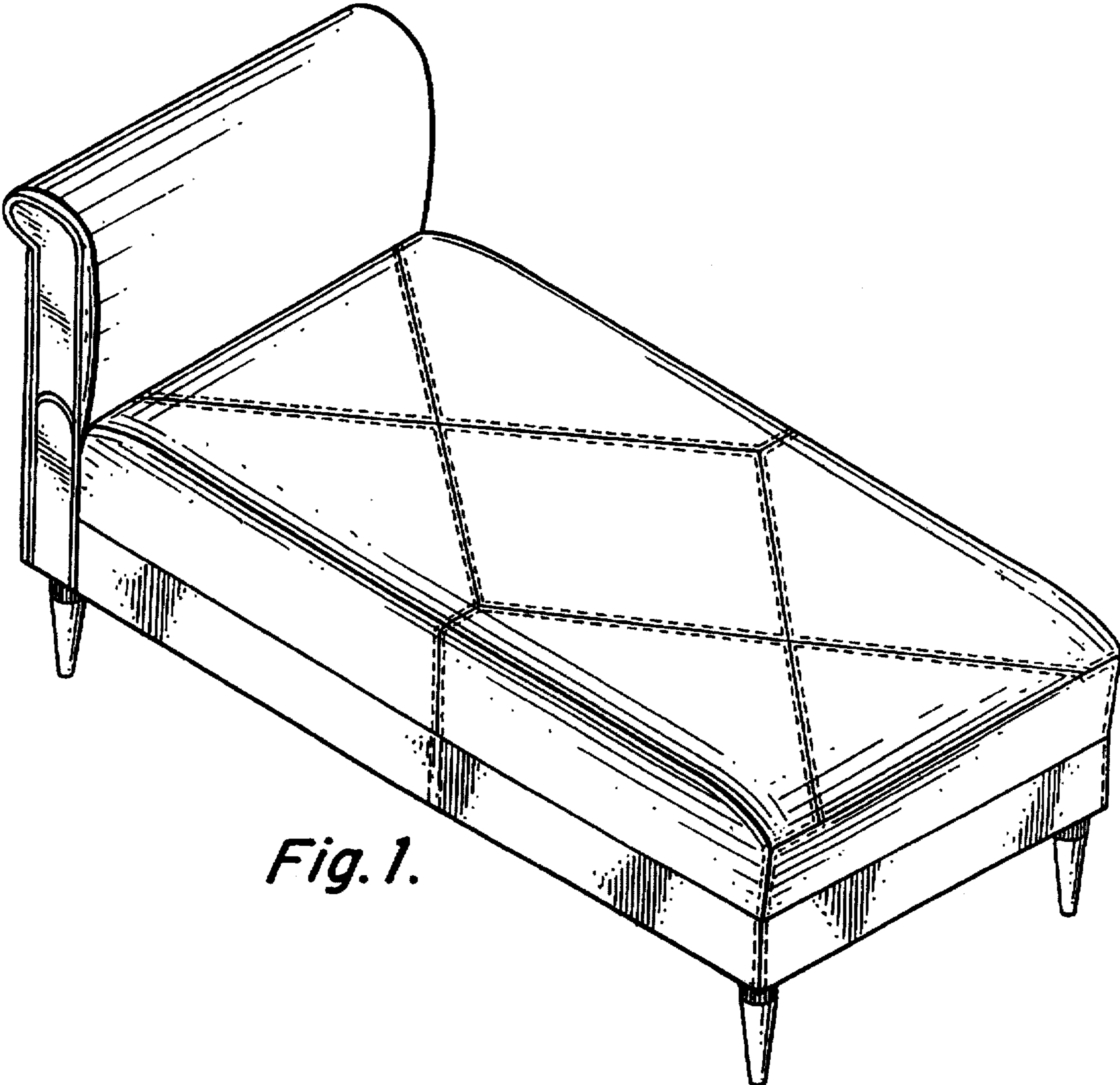


Fig. 1.

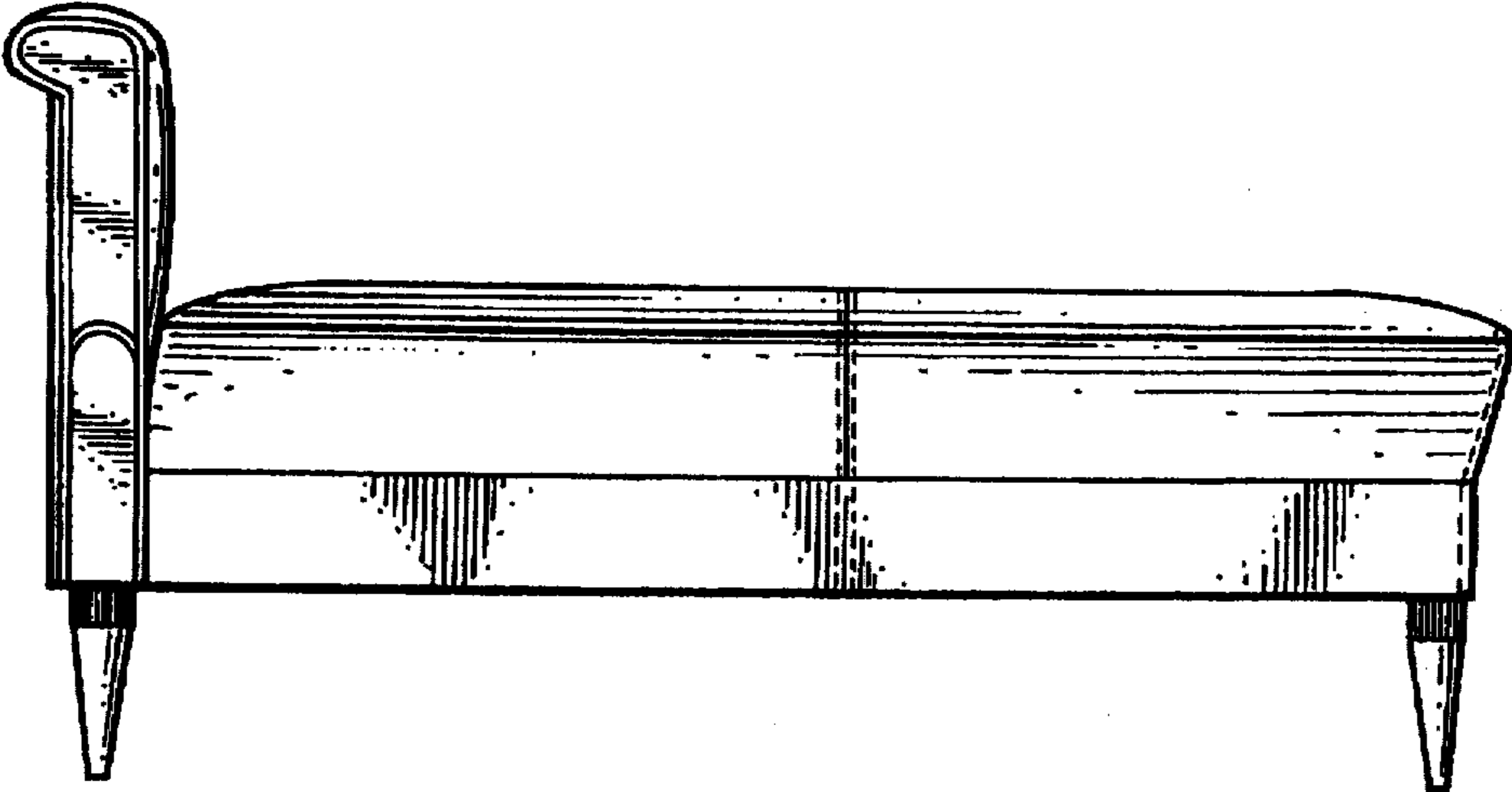


Fig. 2.

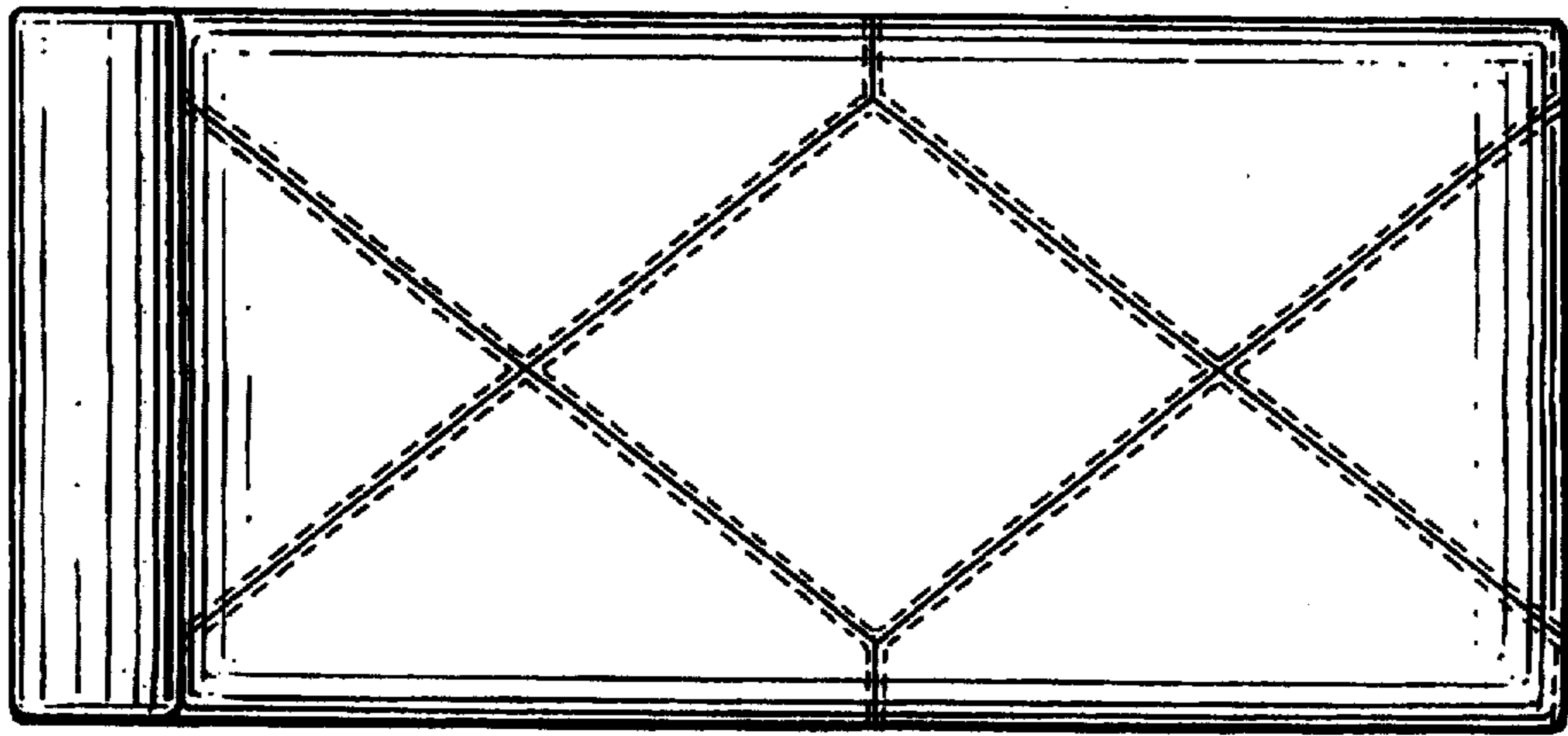


Fig. 3.

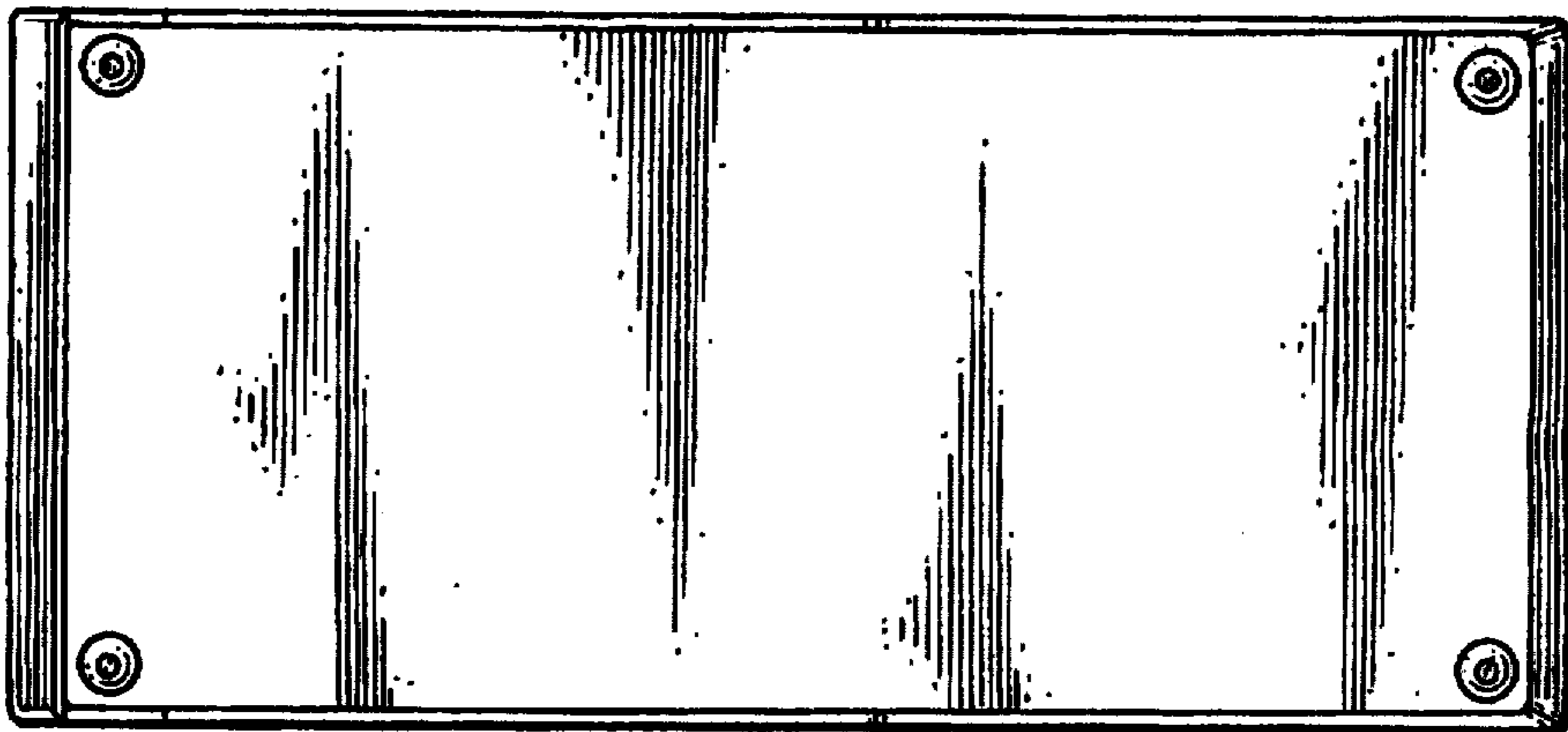


Fig. 4.

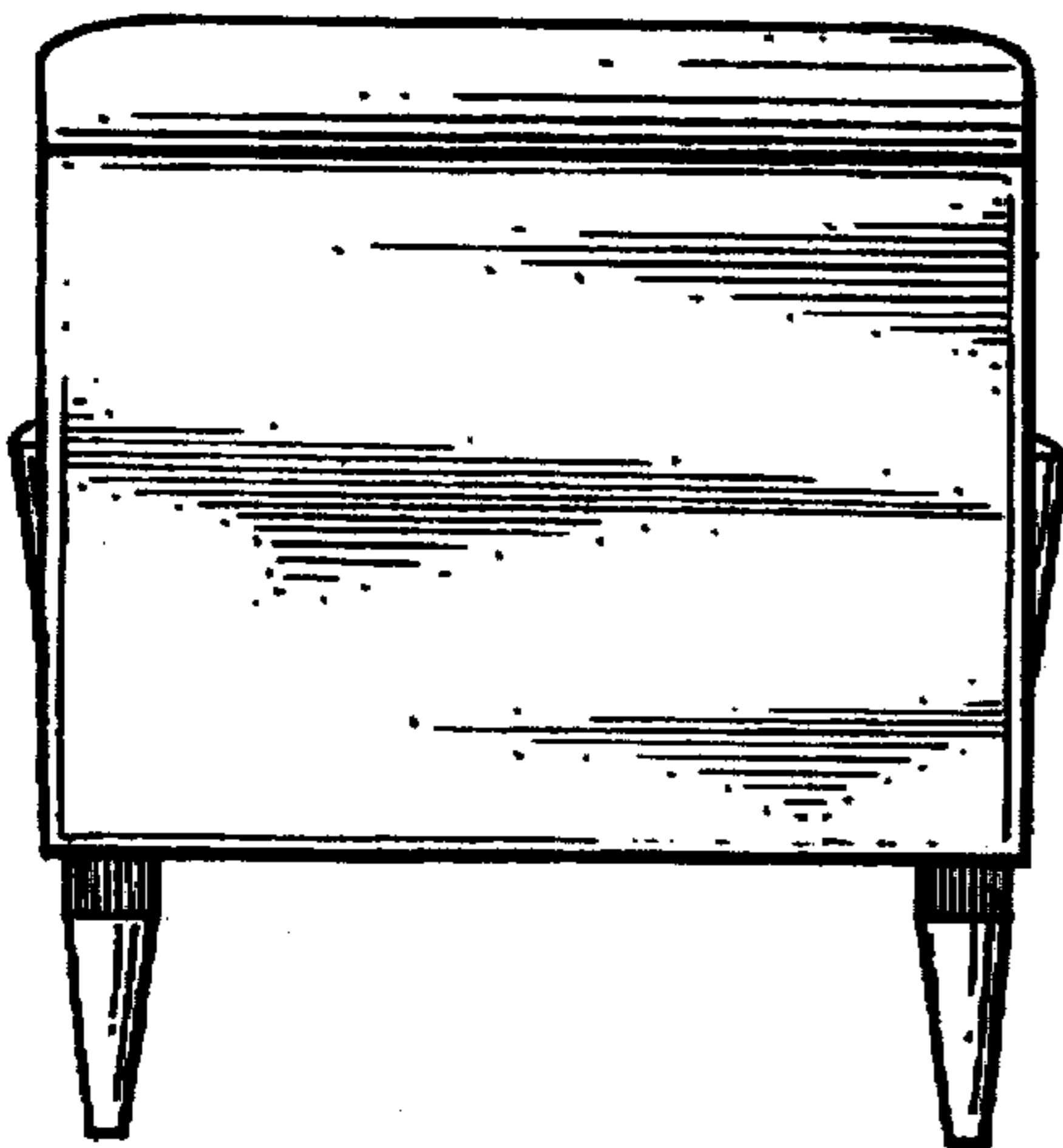


Fig. 5.

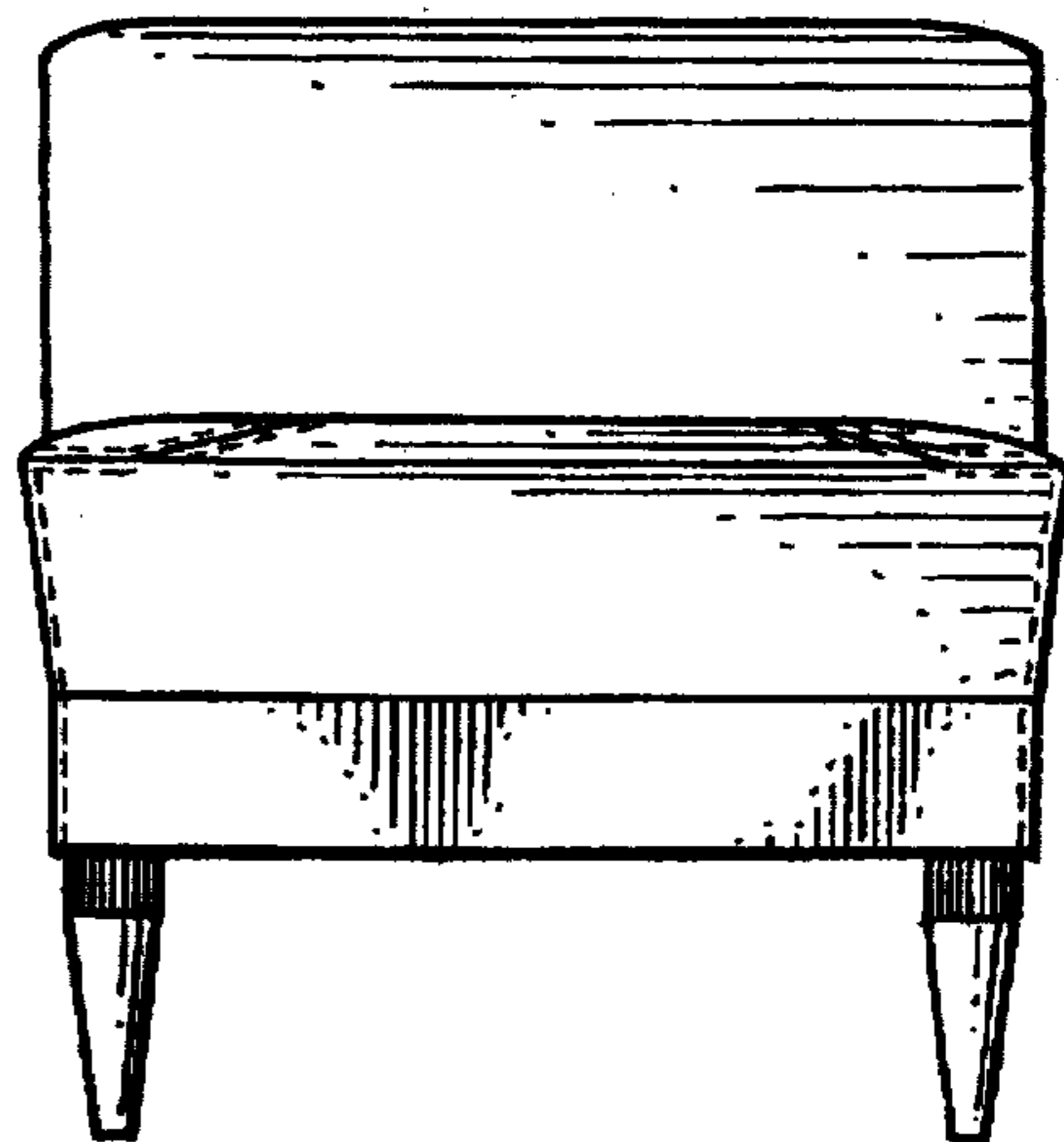


Fig. 6.