



US00D387571S

United States Patent [19] Schweter

[11] Patent Number: **Des. 387,571**

[45] Date of Patent: ****Dec. 16, 1997**

[54] **TABLE WITH CHAIR**

[76] Inventor: **Victor Schweter**, 36 Evergreen Ave.,
East Brentwood, N.Y. 11717

[**] Term: **14 Years**

[21] Appl. No.: **59,188**

[22] Filed: **Sep. 4, 1996**

[51] LOC (6) CL. **06-01**

[52] U.S. Cl. **D6/336; D6/335; D6/349**

[58] Field of Search **D6/334, 335, 336,
D6/338, 349, 350, 397, 480, 500, 501,
502; 108/91; 297/143**

[56] **References Cited**

U.S. PATENT DOCUMENTS

D. 144,591	4/1946	Schutes .	
D. 156,324	12/1949	Dastugue	D6/349
D. 159,534	8/1950	Raichert .	
D. 302,215	7/1989	Fontanelli	D6/335
433,623	8/1890	Hunzinger .	
1,443,067	1/1923	Bower .	
1,973,866	9/1934	Christanson et al. .	
2,030,195	2/1936	Breese .	
3,254,916	6/1966	Bass	297/183.1
3,822,078	7/1974	Spadolini	297/140
4,736,998	4/1988	Wilson et al.	297/140

FOREIGN PATENT DOCUMENTS

1240951 7/1971 United Kingdom 108/91

OTHER PUBLICATIONS

The Complete Guide to Furniture Styles by Louise Ade Boger, table #627 at top, © 1969.
Willow & Reed, p. 33, Table and Benches shown, 1970.
Incredible Furniture Designs (2SF), p. 8, nesting tables at top left, Apr. 18, 1983.

Primary Examiner—Gary D. Watson
Attorney, Agent, or Firm—Martin Smolowitz

[57] **CLAIM**

The ornamental design for a table with chair, as shown and described.

DESCRIPTION

FIG. 1 is a top front and left side perspective view of the table with chair showing my new design;
FIG. 2 is a top plan view thereof;
FIG. 3 is a right side elevational view thereof (left side mirror image);
FIG. 4 is a rear elevational view thereof; and,
FIG. 5 is a bottom plan view thereof.

1 Claim, 5 Drawing Sheets

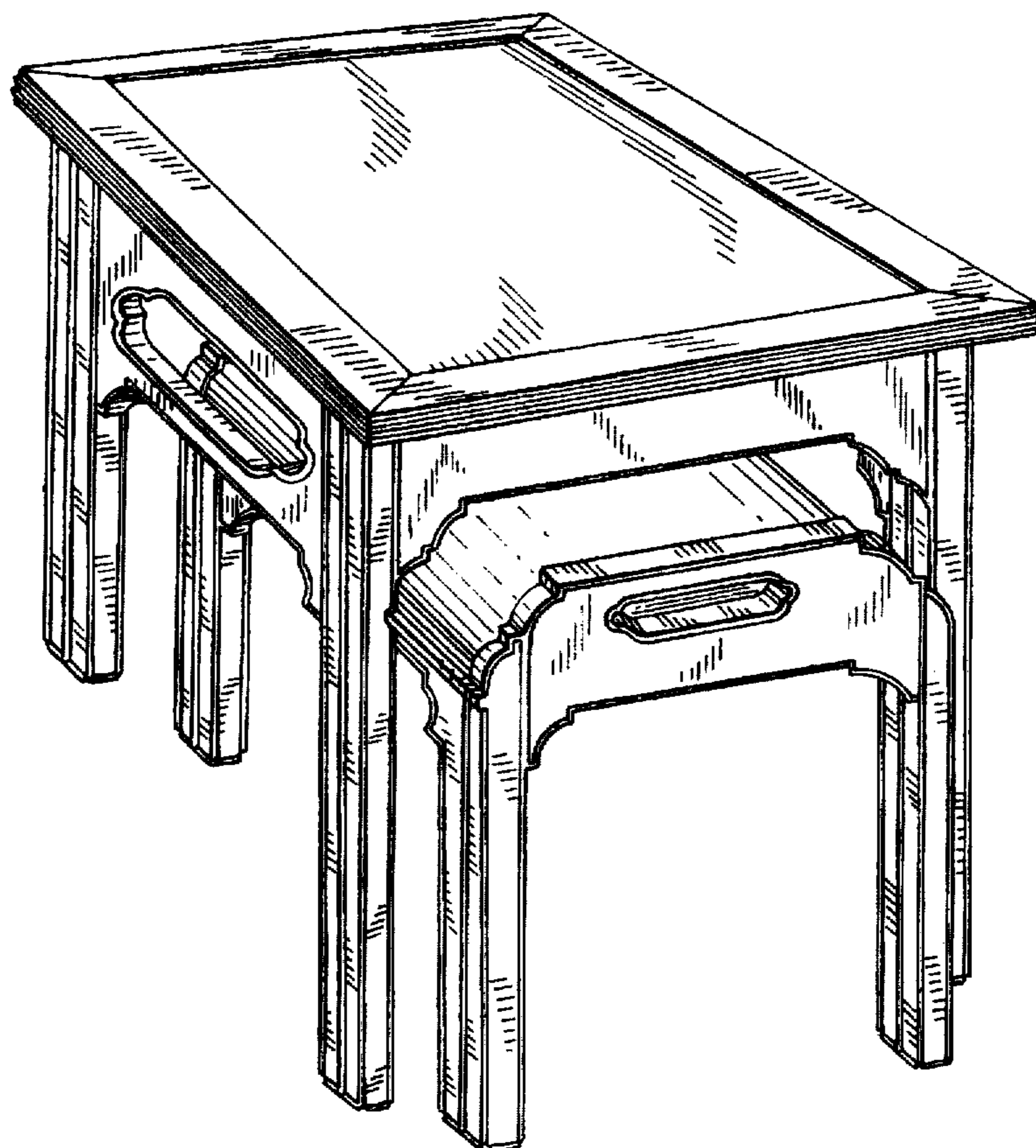


FIG. 1

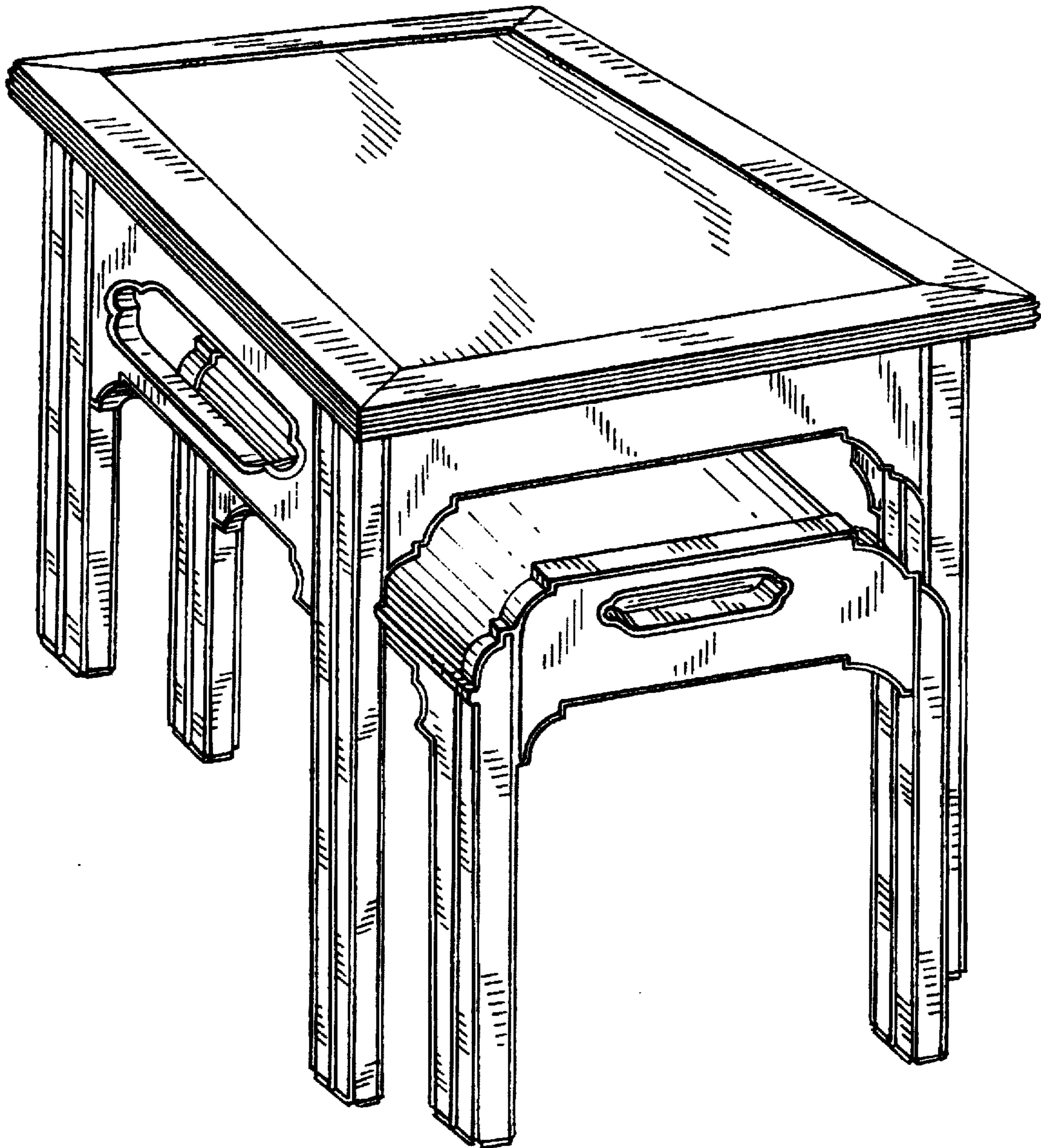
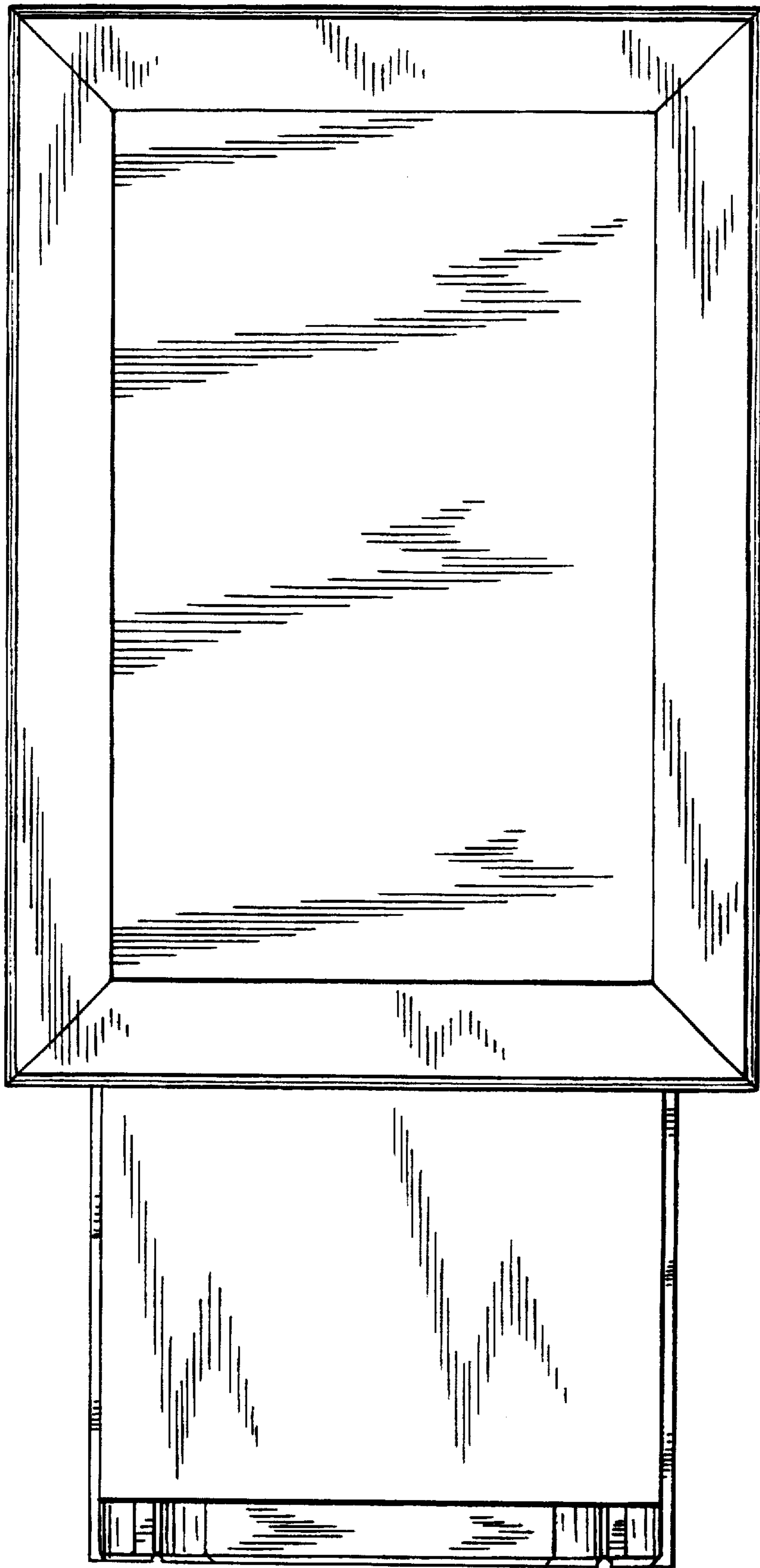


FIG. 2



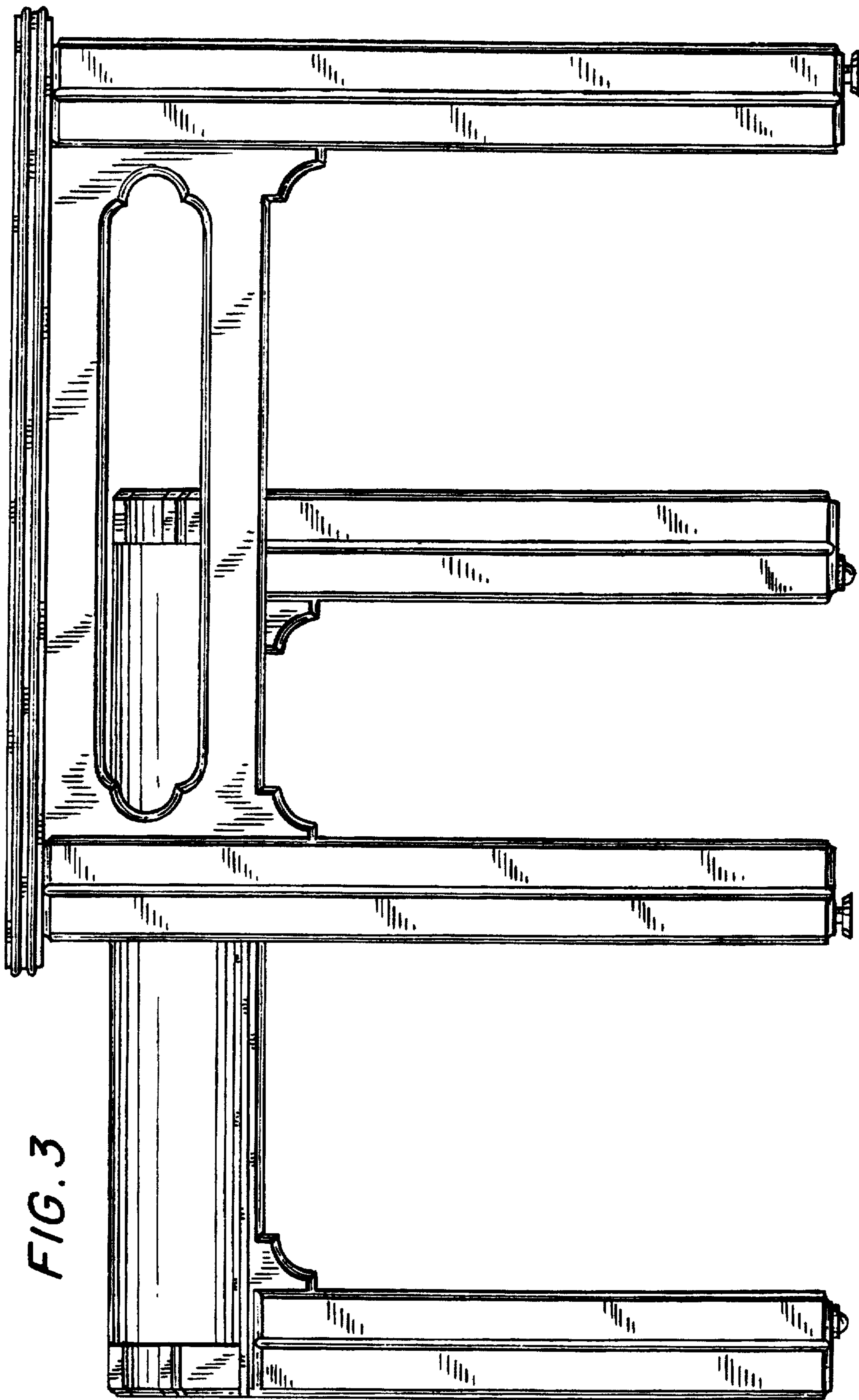


FIG. 3

FIG. 4

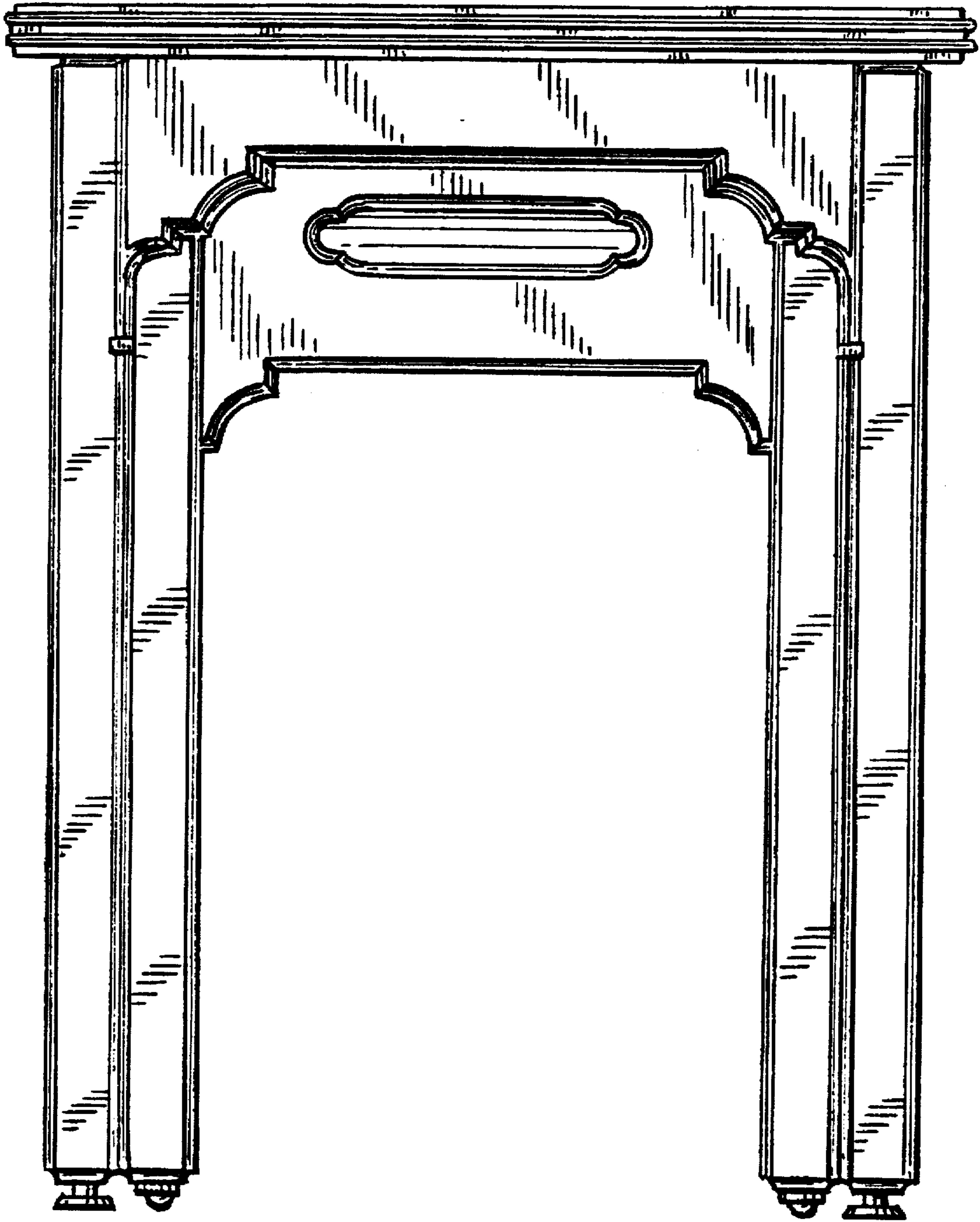


FIG. 5

