



US00D387561S

United States Patent [19]
Wick

[11] **Patent Number: Des. 387,561**
[45] **Date of Patent: **Dec. 16, 1997**

[54] **GOLF CLUB ORGANIZING APPARATUS
FOR A GOLF BAG**

[76] **Inventor: Philip B. Wick, 8630 N. Woodvine,
Hayden, Id. 83845**

[**] **Term: 14 Years**

[21] **Appl. No.: 57,454**

[22] **Filed: Jul. 25, 1996**

[51] **LOC (6) CL. 03-99**

[52] **U.S. Cl. D3/320**

[58] **Field of Search D3/320, 201, 318,
D3/319; 206/315.1, 315.2, 315.3-315.8;
473/282, 287; 211/70.2, 70.6, 71, 72; 248/95,
96, 97, 99, 100, 101; D21/223; D6/320,
513, 514**

[56] **References Cited**

U.S. PATENT DOCUMENTS

D. 164,503	9/1951	Kerr	D21/223
D. 320,713	10/1991	Greenhut et al.	D6/513
D. 349,406	8/1994	Shumay	D3/320
D. 355,841	2/1995	Goodman et al.	D6/320 X
1,849,610	3/1932	Boyce	.	
2,436,687	2/1948	Corbett	.	
2,539,933	5/1951	Sobers	.	
2,590,154	3/1952	Burns	206/315.2 X
4,194,547	3/1980	Sidor et al.	.	

4,709,814	12/1987	Antonious	248/96 X
4,834,444	5/1989	Young	206/315.3 X
4,960,212	10/1990	Wu	.	
5,056,198	10/1991	Viglione	211/70.2 X
5,234,114	8/1993	Coffey	206/315.2 X
5,269,411	12/1993	Hong	206/315.6
5,383,555	1/1995	Weinmeier	.	
5,511,660	4/1996	Yamada	.	

OTHER PUBLICATIONS

Par Gold Manuf. C. Inc. 1968 Cat, p. 36.

Primary Examiner—Prabhaak G. Deshmuke
Attorney, Agent, or Firm—David S. Thompson

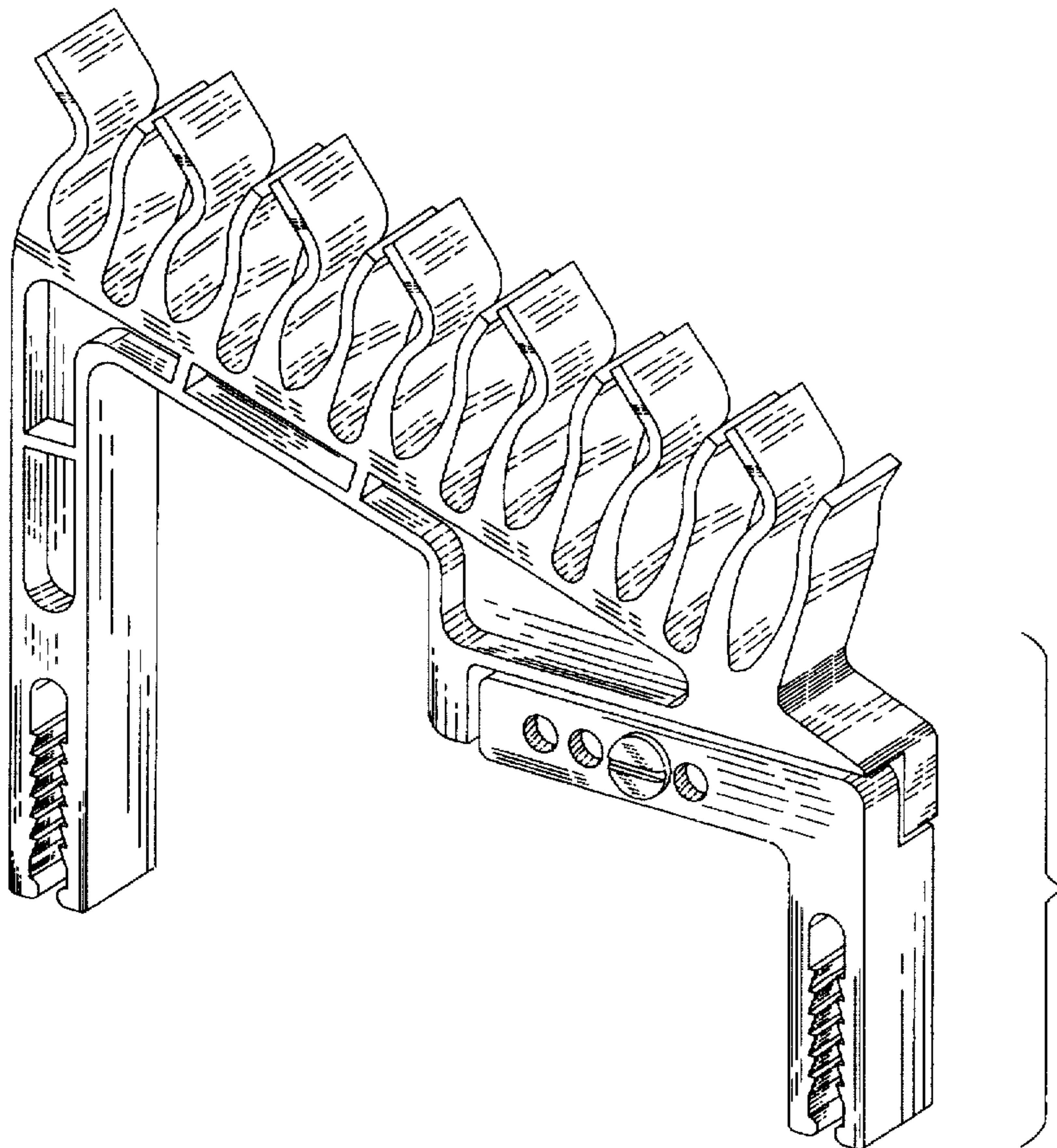
[57] **CLAIM**

The ornamental design for a golf club organizing apparatus for a golf bag, as shown and described.

DESCRIPTION

FIG. 1 is an exploded top, front and right sides perspective view of a golf club organizing apparatus for a golf bag showing my new design;
FIG. 2 is a top, rear and right sides perspective view thereof, in an assembled condition;
FIG. 3 is a front elevational view thereof;
FIG. 4 is a bottom plan view thereof;
FIG. 5 is a rear elevational view thereof; and,
FIG. 6 is a left side elevational view thereof.

1 Claim, 4 Drawing Sheets



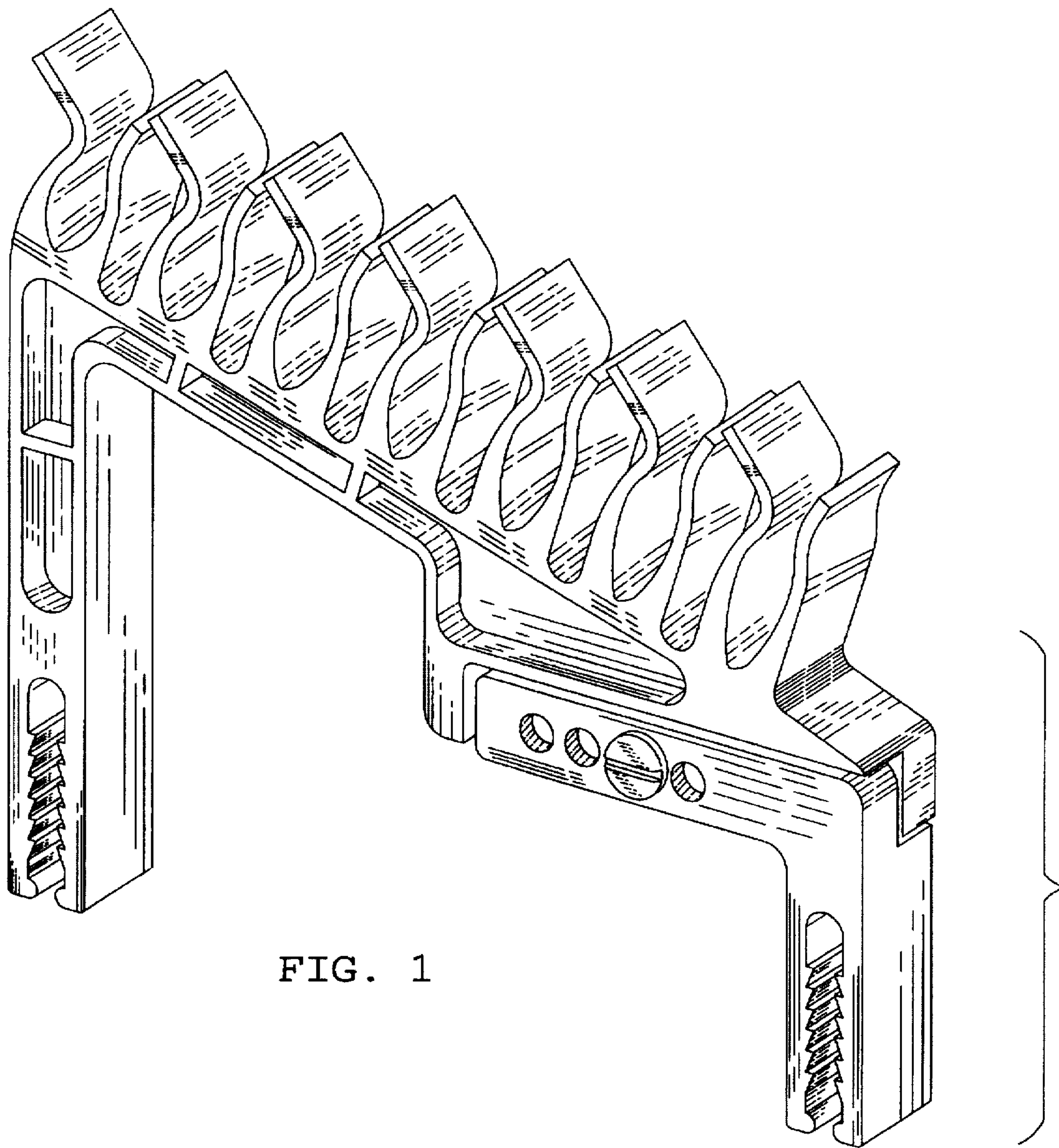


FIG. 1

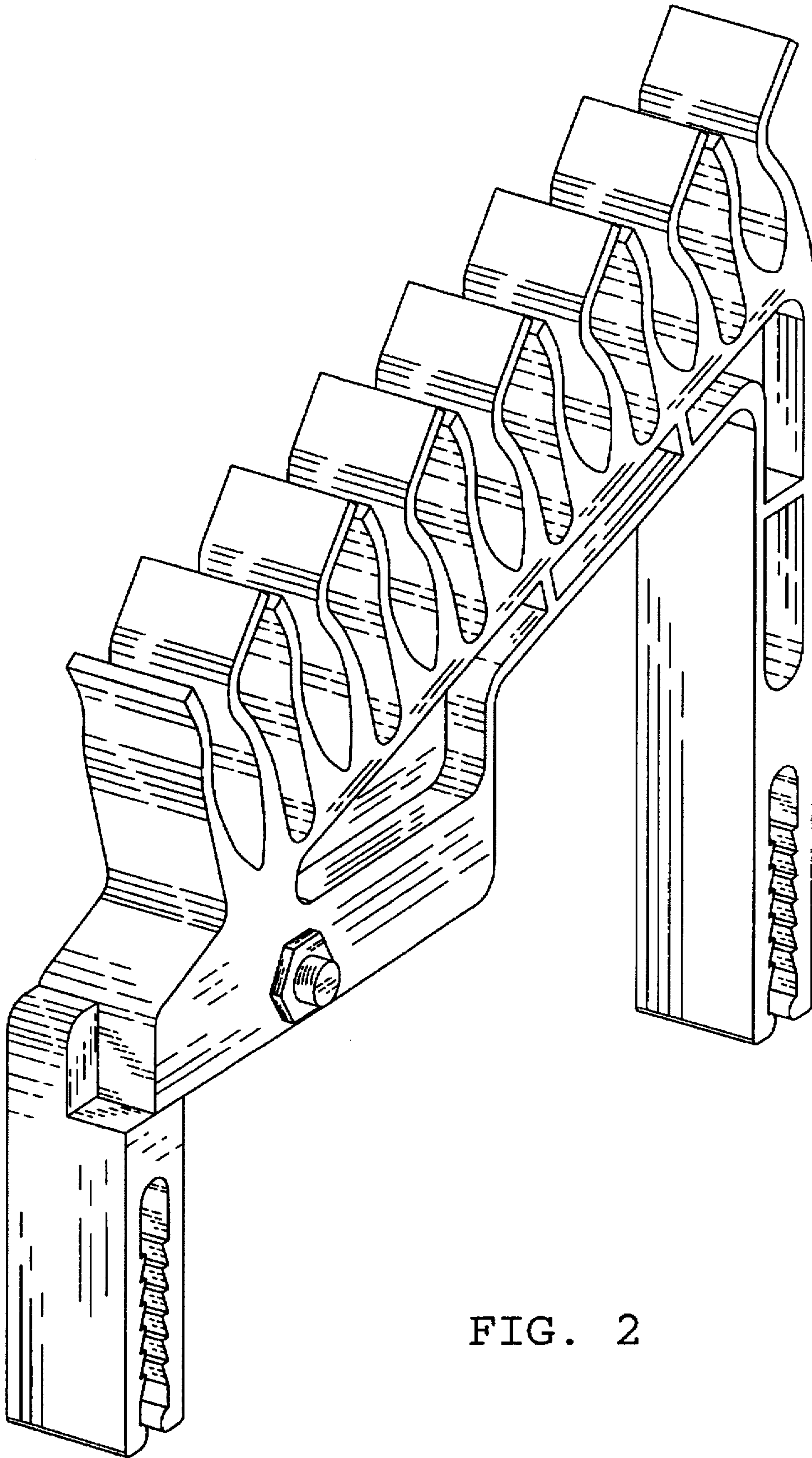


FIG. 2

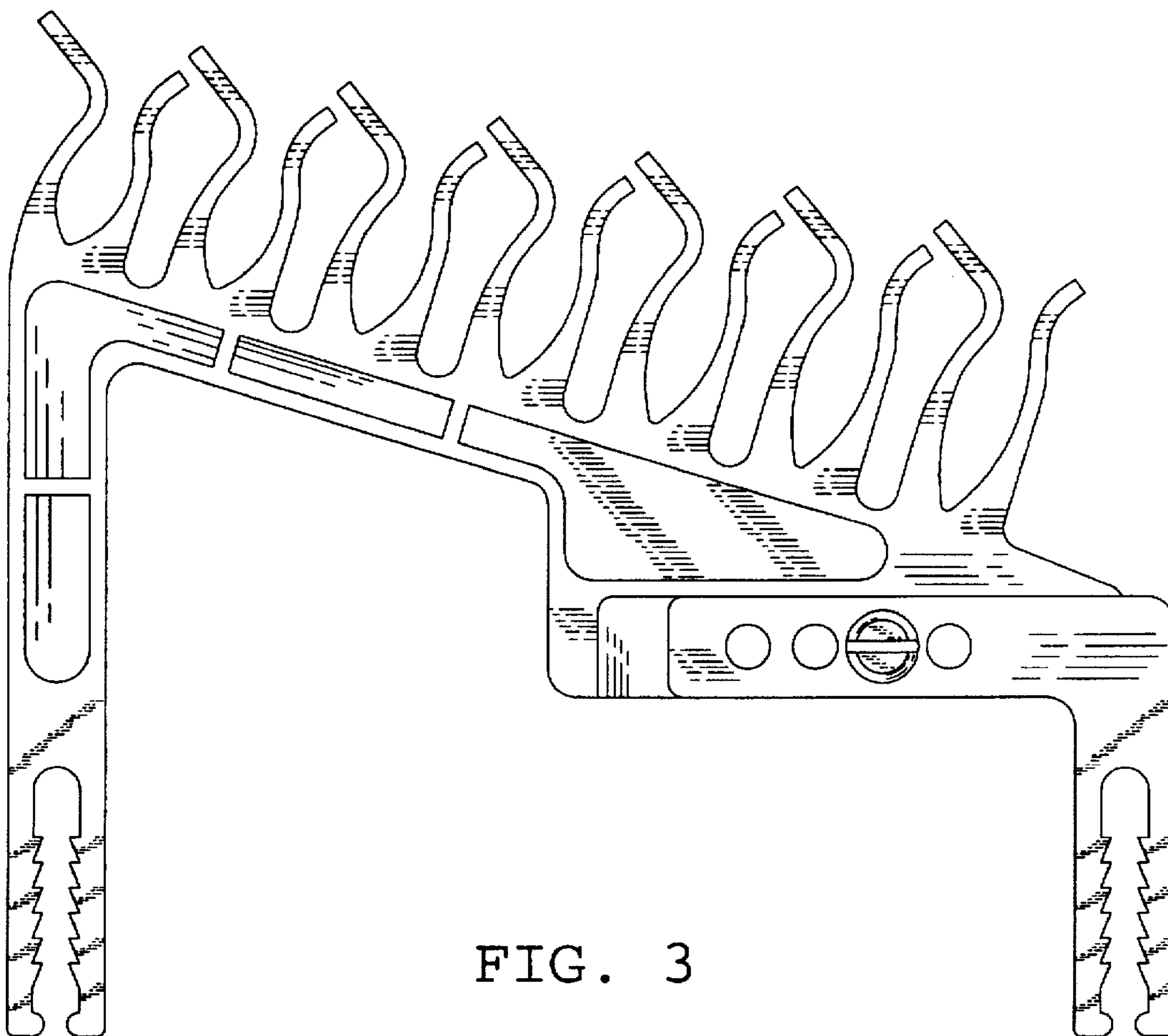


FIG. 3

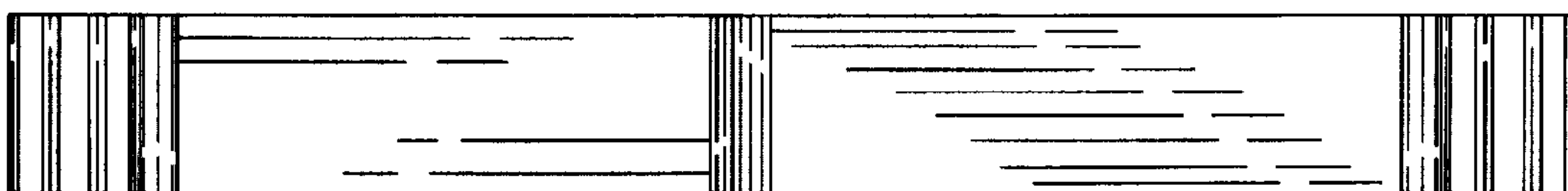


FIG. 4

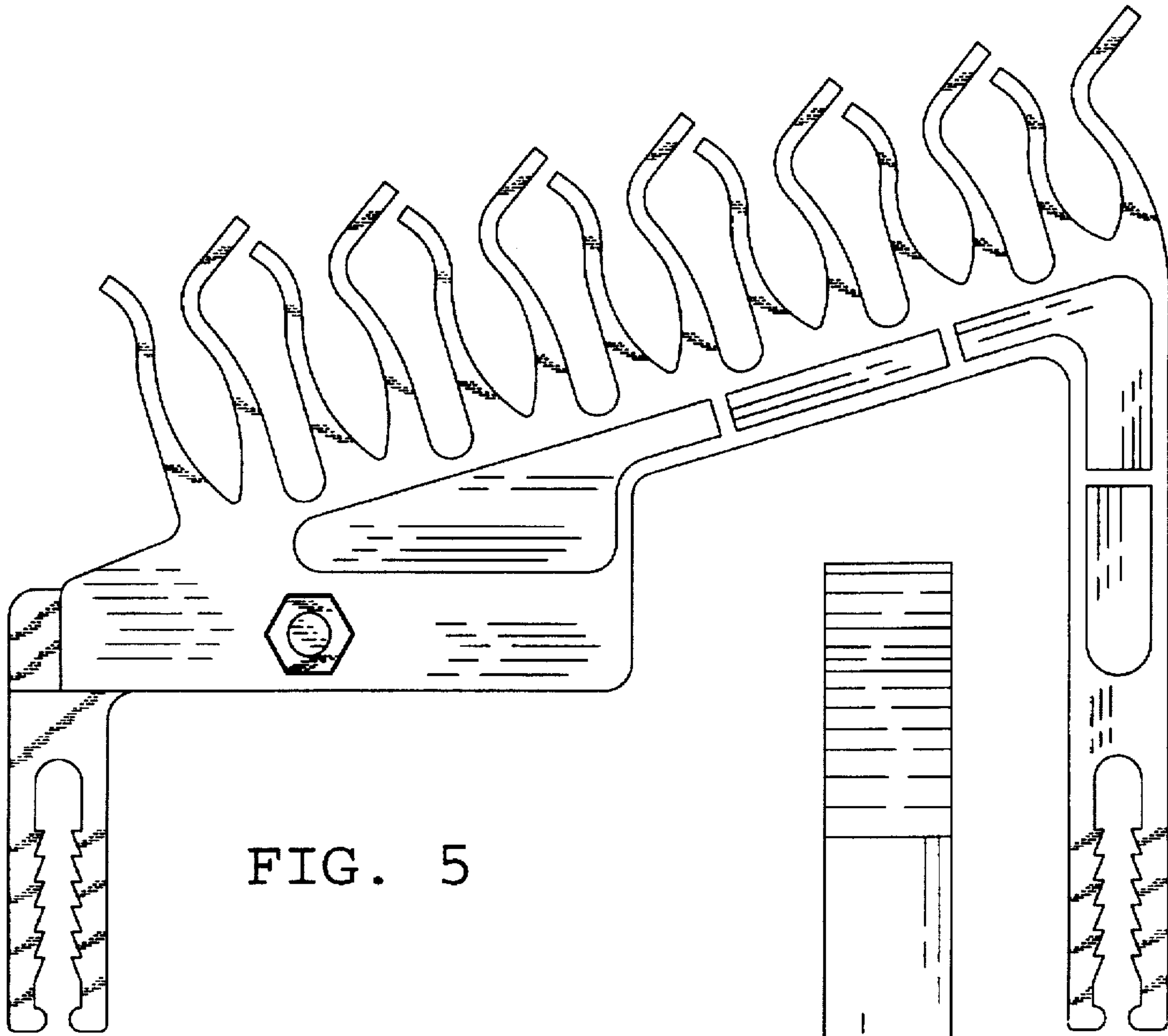


FIG. 5

FIG. 6

