



US00D387560S

**United States Patent** [19]  
**Melk**

[11] **Patent Number: Des. 387,560**

[45] **Date of Patent: \*\*Dec. 16, 1997**

[54] **COMPARTMENT FOR A FLEXIBLE TOTE**

4,995,436 2/1991 Cantor ..... 150/107 X  
5,060,767 10/1991 Pulichino, Jr. et al. .... 190/111

[75] **Inventor: Thomas J. Melk, Chicago, Ill.**

**OTHER PUBLICATIONS**

[73] **Assignee: Outer Circle Products, Ltd., Chicago, Ill.**

"1996 Outdoor Products Catalog," The Coleman Company, pp. 65, 66, and 68.

[\*\*] **Term: 14 Years**

*Primary Examiner*—Prabhakar G. Deshmukh  
*Attorney, Agent, or Firm*—Trexler, Bushnell, Giangiorgi & Blackstone, Ltd.

[21] **Appl. No.: 61,546**

[22] **Filed: Oct. 25, 1996**

[57] **CLAIM**

[51] **LOC (6) Cl. .... 03-99**

The ornamental design for a compartment for a flexible tote, as shown and described.

[52] **U.S. Cl. .... D3/319**

[58] **Field of Search .... D3/319, 318, 900,  
D3/902, 216, 217; 150/112, 114, 117; 190/111,  
109, 903; 206/810**

**DESCRIPTION**

[56] **References Cited**

FIG. 1 is a front and left side perspective view of a compartment for a flexible tote showing my new design; FIG. 2 is a left side elevational view thereof; FIG. 3 is a right side elevational view thereof; FIG. 4 is a top plan view thereof; and, FIG. 5 is a front elevational view thereof; The rear is obstructed by the flexible tote and not shown nor claimed. The broken line showing of flexible tote is for illustrative purpose only and forms no part of the claim. The bottom is unornamental.

**U.S. PATENT DOCUMENTS**

D. 360,182	7/1995	Lovett	.....	D3/217 X
2,481,565	9/1949	Boretz	.....	190/903 X
3,734,282	5/1973	Rebold	.....	190/903 X
4,429,793	2/1984	Ehmann	.....	206/366
4,724,791	2/1988	McSorley	.....	383/7
4,729,460	3/1988	Kim	.....	190/109
4,767,039	8/1988	Jacober	.	
4,801,081	1/1989	O'Connor	.....	383/6 X

**1 Claim, 2 Drawing Sheets**

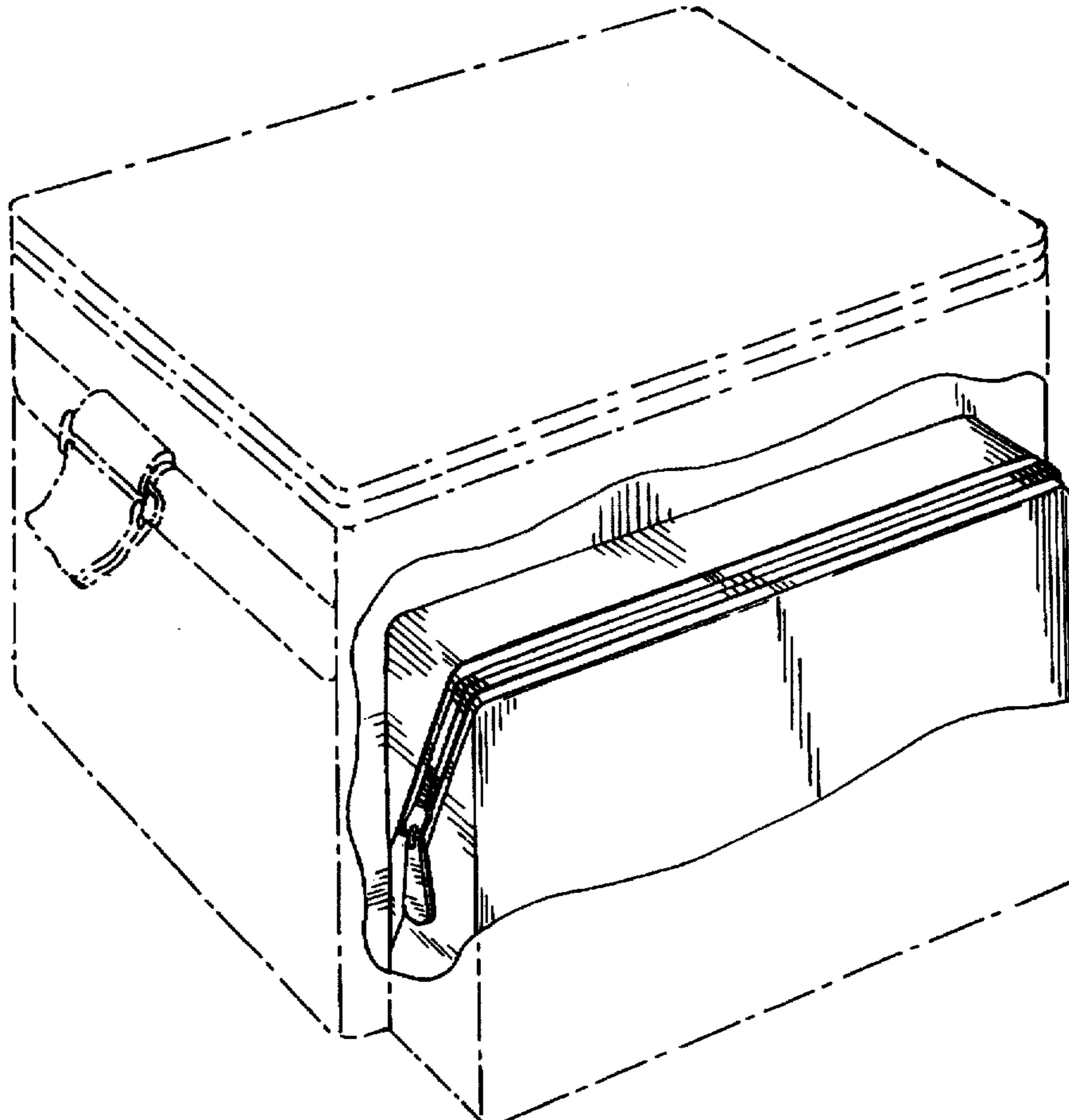


FIG. 1

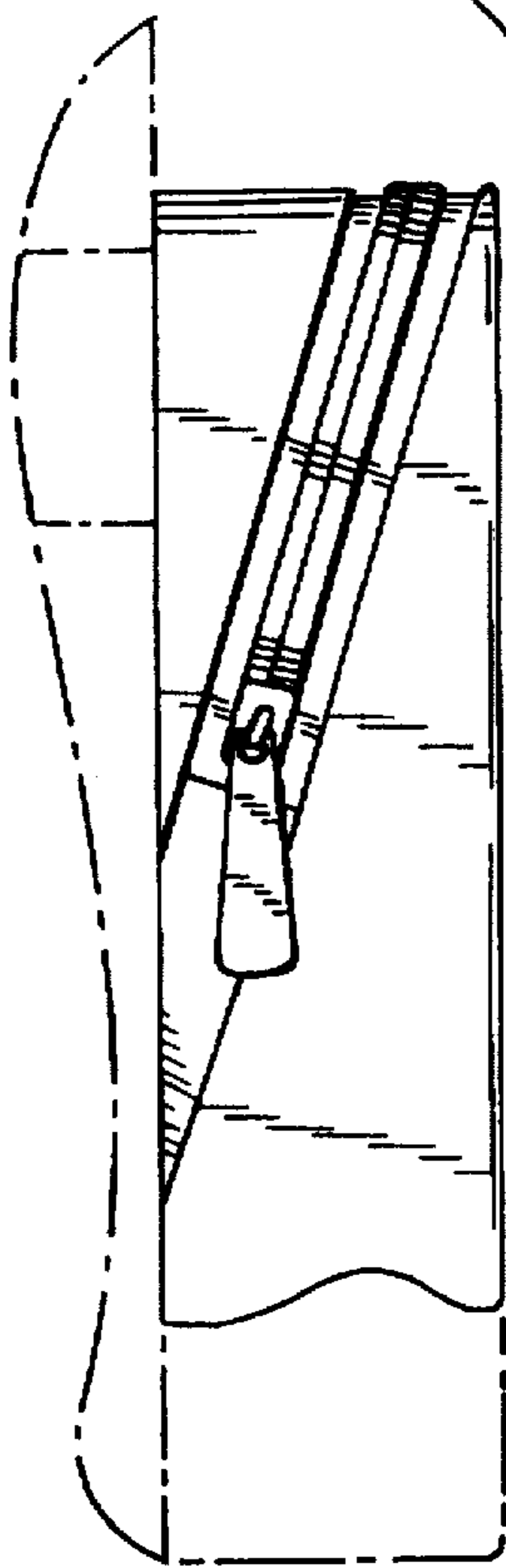
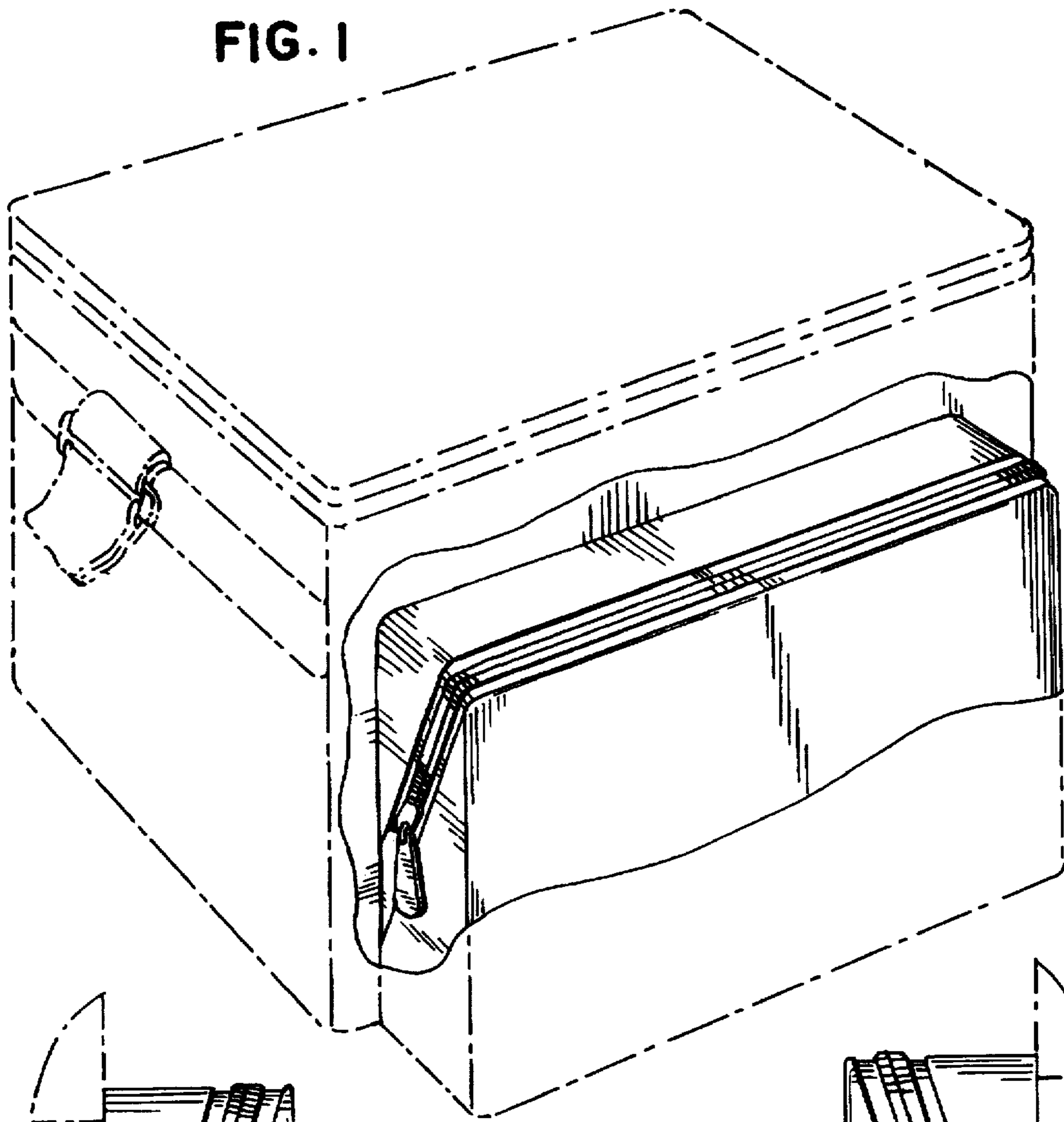


FIG. 2

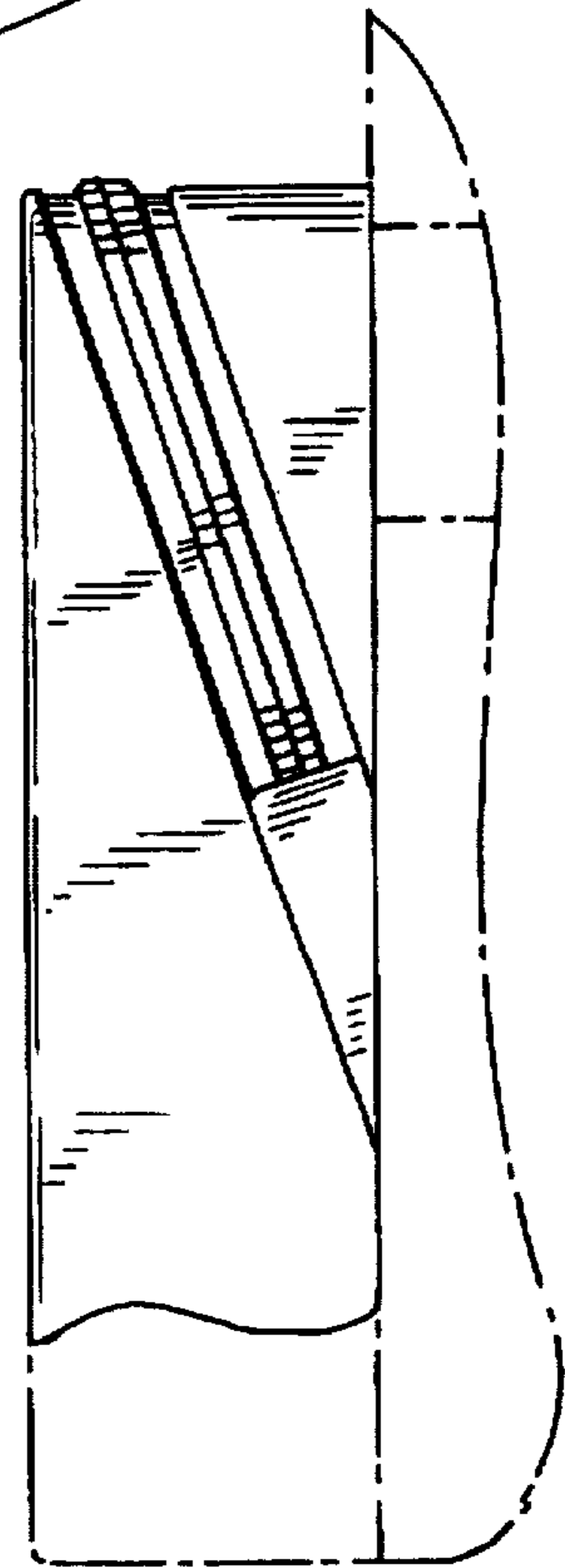


FIG. 3

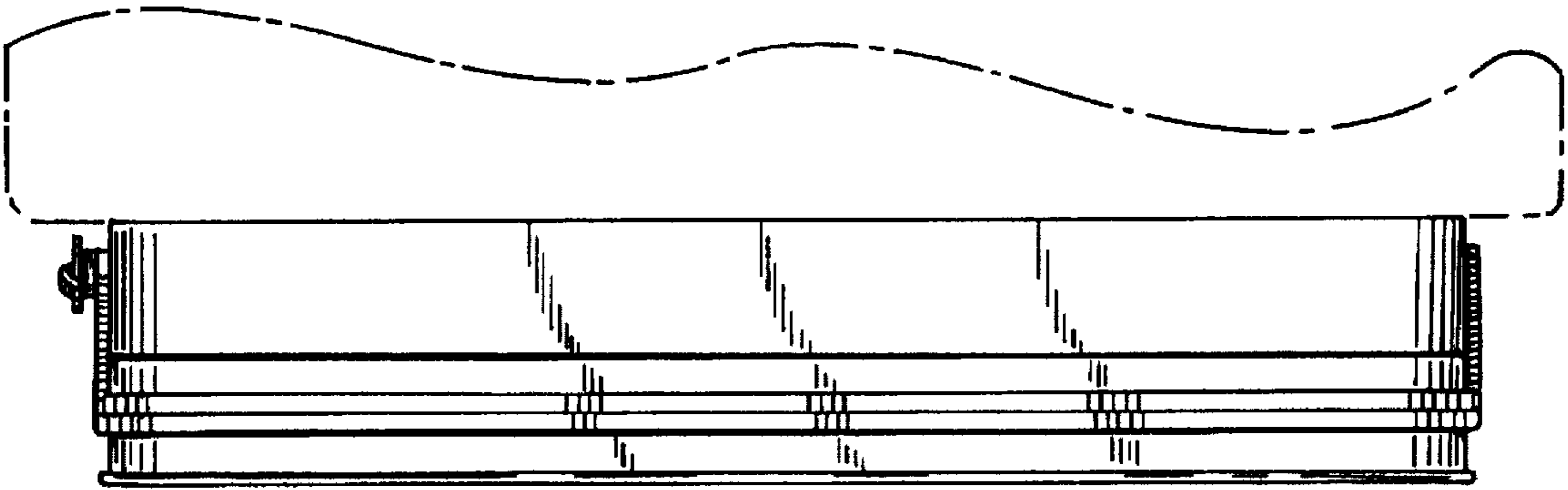


FIG. 4

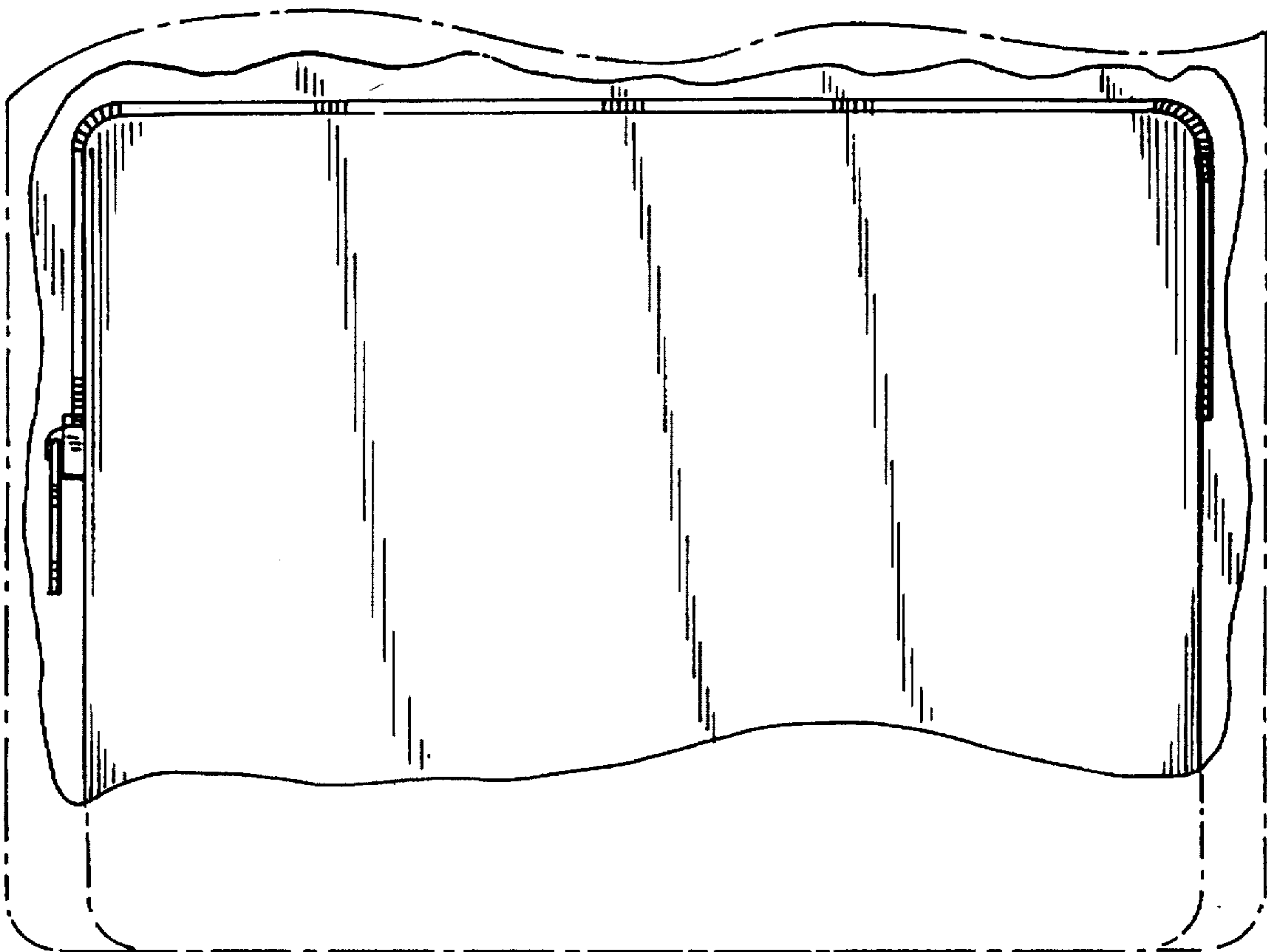


FIG. 5