



US00D387558S

United States Patent [19]

Mann et al.

[11] Patent Number: **Des. 387,558**

[45] Date of Patent: ****Dec. 16, 1997**

[54] STORAGE CONTAINER

[75] Inventors: **David G. Mann; Kevin Rausch**, both of Wooster; **Matthew Williams**, North Canton, all of Ohio

[73] Assignee: **Rubbermaid Specialty Products Inc.**, Wooster, Ohio

[**] Term: **14 Years**

[21] Appl. No.: **55,375**

[22] Filed: **Jun. 5, 1996**

[51] LOC (6) Cl. **03-01**

[52] U.S. Cl. **D3/312; D3/307; D9/425**

[58] Field of Search **D3/308, 314, 312, D3/304, 309; D7/605, 708, 603, 602, 550, 601, 354; D9/424, 425, 429; 220/669, 671, 676; 206/514**

[56] References Cited

U.S. PATENT DOCUMENTS

D. 168,205	11/1952	Baustian et al.	D87/5
D. 205,968	10/1966	Bostrom	D9/425
D. 238,051	12/1975	Fier	D9/240
D. 238,148	12/1975	Dilot	D9/219
D. 246,872	1/1978	White	D87/1
D. 258,721	3/1981	Steeg	D99/47
D. 258,723	3/1981	Cornou	D7/76

(List continued on next page.)

FOREIGN PATENT DOCUMENTS

8042010	10/1980	European Pat. Off. .
2136399	3/1983	United Kingdom .

OTHER PUBLICATIONS

Label, Storage containers; Contico A Division of Contico International, 1101 Warson Road, St. Louis, Missouri 63132. Published at least as early as May, 1993.

Catalog page, Storage container; Frem Corporation, 60 Webster Place, Box 4, Worcester, Massachusetts 01603. Published at least as early as 1993.

Catalog page, Storage container; Sterilite Corporation, P.O. Box 524, Townsend, Massachusetts 01469. Publication date 1990.

P. 2, Storage container; Sterilite Corporation, P.O. Box 524, Townsend, Massachusetts Q1469. Publication date 1993.

Sell sheet, Storage container; Sterilite Corporation, P.O. Box 524, Townsend, Massachusetts 01469. Publication date 1991.

Catalog page, Storage container; Addis, Ware Road, Hertford, Hertfordshire, 5613 7HL. Publication date Apr. 1, 1991.

Sell sheet, Storage containers; Tucker Housewares, 25 Tucker Drive, Leominster, Massachusetts 01453. Published at least as early as 1991.

(List continued on next page.)

Primary Examiner—M. N. Pandozzi

Attorney, Agent, or Firm—Richard B. O'Planick; Lisa B. Riedesel

[57] CLAIM

The ornamental design for a storage container, as shown and described.

DESCRIPTION

FIG. 1 is a top right front perspective view of a storage container showing our new design;

FIG. 2 is a top plan view thereof;

FIG. 3 is a front elevational view thereof;

FIG. 4 is a rear elevational view thereof;

FIG. 5 is a left side elevational view thereof; the right side elevational view being a mirror image;

FIG. 6 is a bottom plan view thereof;

FIG. 7 is a top front right perspective view of a storage container showing a second embodiment of my new design;

FIG. 8 is a top plan view of FIG. 7.

FIG. 9 is a front elevational view of FIG. 7.

FIG. 10 is a rear elevational view of FIG. 7;

FIG. 11 is a left side elevational view of FIG. 7;

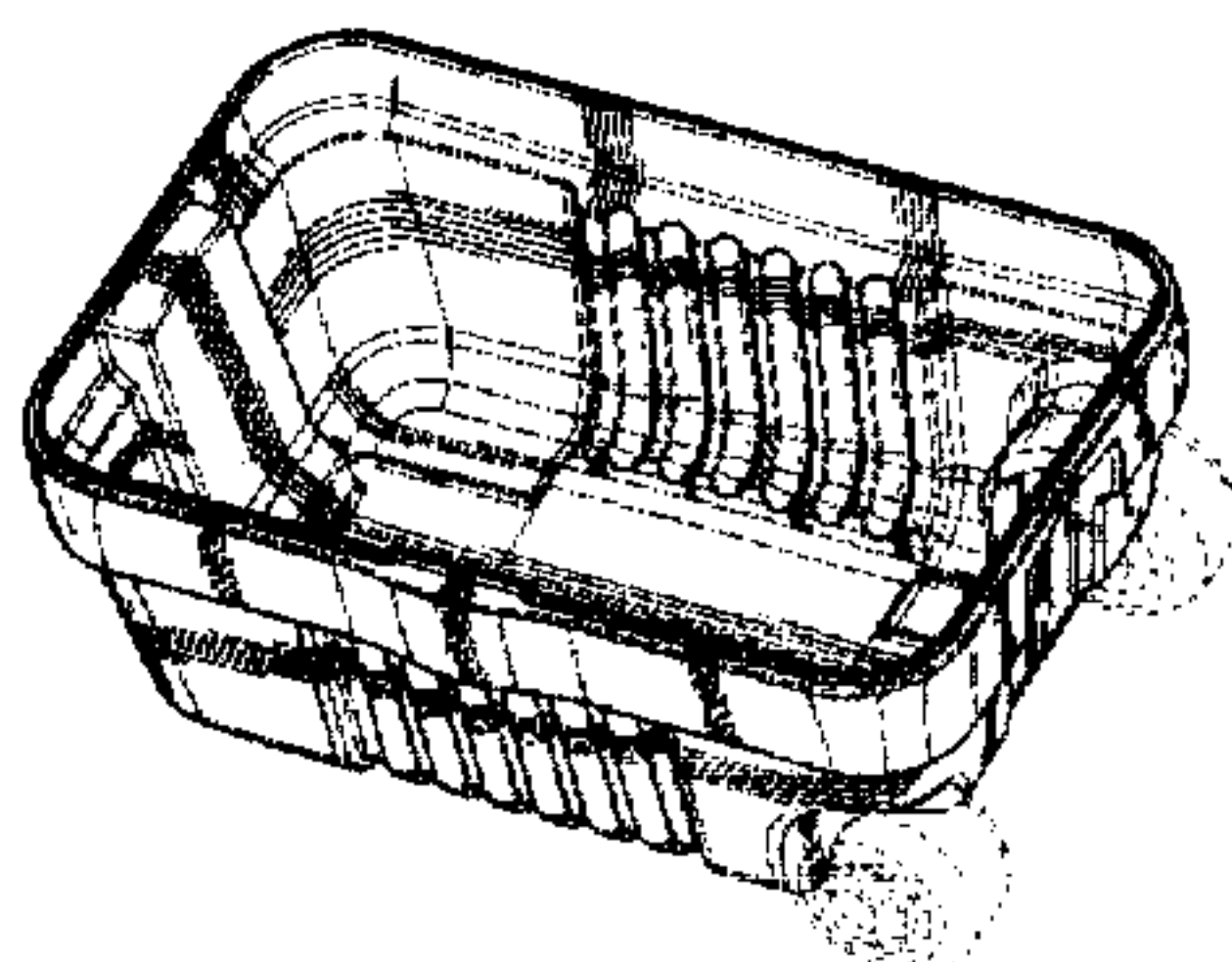
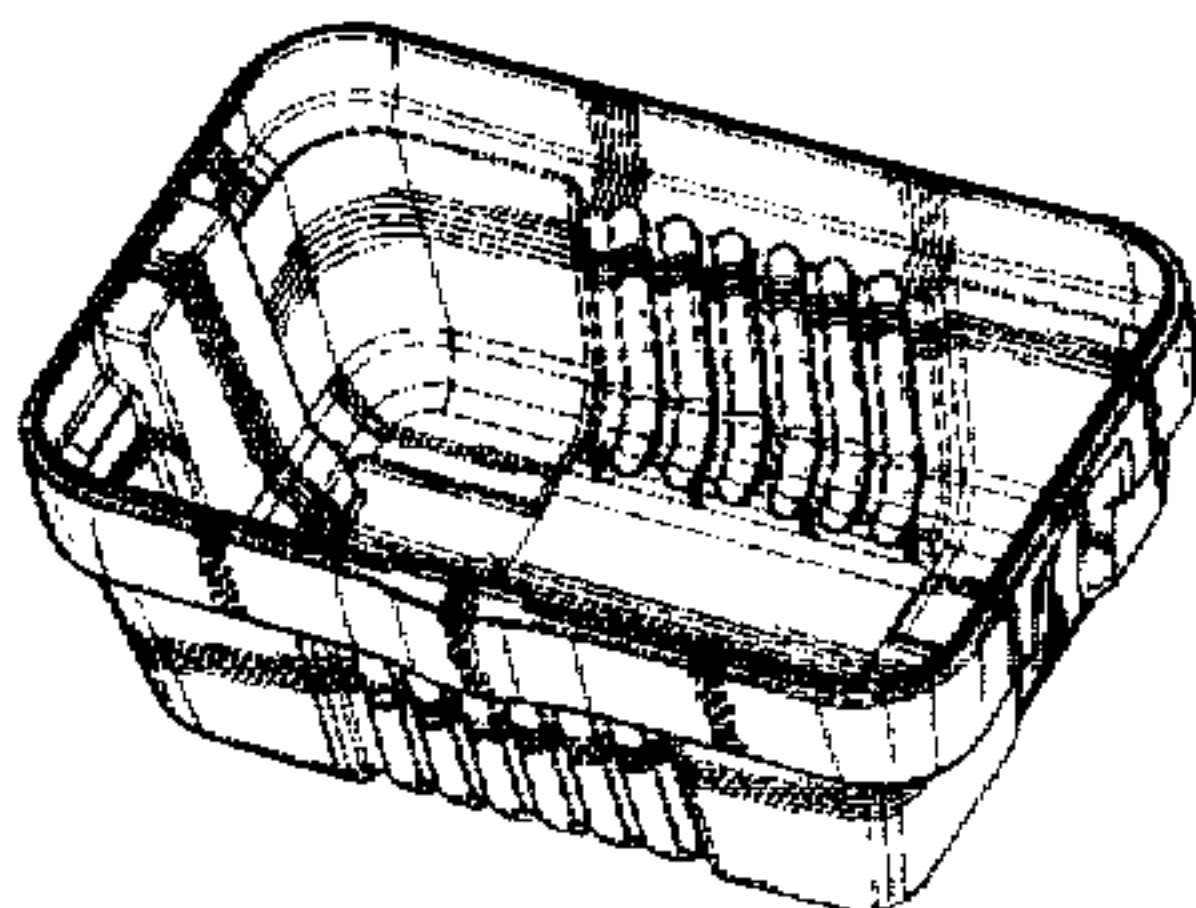
FIG. 12 is a right side elevational view of FIG. 7;

FIG. 13 is a bottom plan view of FIG. 7; and,

FIG. 14 is an in use top front right perspective view thereof.

The broken line showing of two wheels in FIG. 14 is for illustrative purposes only and forms no part of the claimed design.

1 Claim, 14 Drawing Sheets



U.S. PATENT DOCUMENTS

D. 277,797	2/1985	Chabot	D34/40
D. 277,993	3/1985	Sinchok	D9/425 X
D. 285,413	9/1986	Carlson	D9/337
D. 286,937	11/1986	Schafer	D34/43
D. 302,774	8/1989	Murphy	D7/76
D. 306,264	2/1990	Malmanger	D9/432
D. 308,340	6/1990	Ilsen	D9/425
D. 312,573	12/1990	Poirier	D9/424
D. 316,674	5/1991	Poirier	D9/424
D. 319,016	8/1991	Kahl	D9/424
D. 321,091	10/1991	Dickinson	D3/78
D. 326,345	5/1992	Mandell et al.	D34/40
D. 328,425	8/1992	Brightbill	D9/425
D. 329,331	9/1992	Hobson	D3/78
D. 329,747	9/1992	Embree	D3/78
D. 330,329	10/1992	Brightbill	D9/424
D. 341,461	11/1993	Davidson et al.	D9/425 X
D. 342,364	12/1993	Hobson	D34/46
D. 342,609	12/1993	Brightbill	D3/78
D. 342,896	1/1994	Gottofredi	D9/425
D. 347,324	5/1994	Dickinson	D3/272
D. 348,394	7/1994	Dreyer	D9/425
D. 349,646	8/1994	Dickinson	D9/423
D. 351,284	10/1994	Kruger	D3/314
D. 355,118	2/1995	Dickinson et al.	D9/425
D. 356,256	3/1995	Romanoff	D9/425
D. 357,120	4/1995	Miller	D3/312
D. 358,765	5/1995	Dickinson et al.	D9/425
D. 361,511	8/1995	Dickson et al.	D9/425
D. 363,604	10/1995	Koenig et al.	D3/312
D. 363,662	10/1995	Plater	D9/425
D. 364,272	11/1995	Brightbill	D3/312
D. 366,363	1/1996	Berggren	D3/314
D. 367,760	3/1996	Zimmerman	D3/314
D. 367,958	3/1996	Tibso et al.	D3/273
D. 370,345	6/1996	Wolf	D9/425 X
D. 374,819	10/1996	Wells	D9/425
2,767,878	10/1956	Brown	220/45
2,823,829	2/1958	Frater	229/97
3,344,974	10/1967	Bostrom	D9/425 X
3,351,227	11/1967	Collie
3,419,184	12/1968	Asenbauer	220/97
3,642,168	2/1972	Wiley, Jr. et al.	220/97
3,656,650	4/1972	Frater	220/22.3
3,987,829	10/1976	Leone	150/0.5
4,499,997	2/1985	Swingley, Jr.	206/509
4,523,692	6/1985	Lemkin	220/306
4,593,816	6/1986	Langenbeck	206/425
4,616,762	10/1986	Alexander	220/669 X
4,982,863	1/1991	Skillius	220/318
5,011,013	4/1991	Meisner et al.	206/373

OTHER PUBLICATIONS

Label Storage container; Tamor Plastics Corp., Leominster, Massachusetts 01453. Published at least as early as 1992.

P. 2, Food boxes; Rubbermaid Commercial Products Inc., 3124 Valley Avenue, Winchester, Virginia 22601. Publication date 1994.

Sell sheet, Storage containers; Rubbermaid Incorporated, 1147 Akron Road, Wooster, Ohio 44691. Publication date 1994.

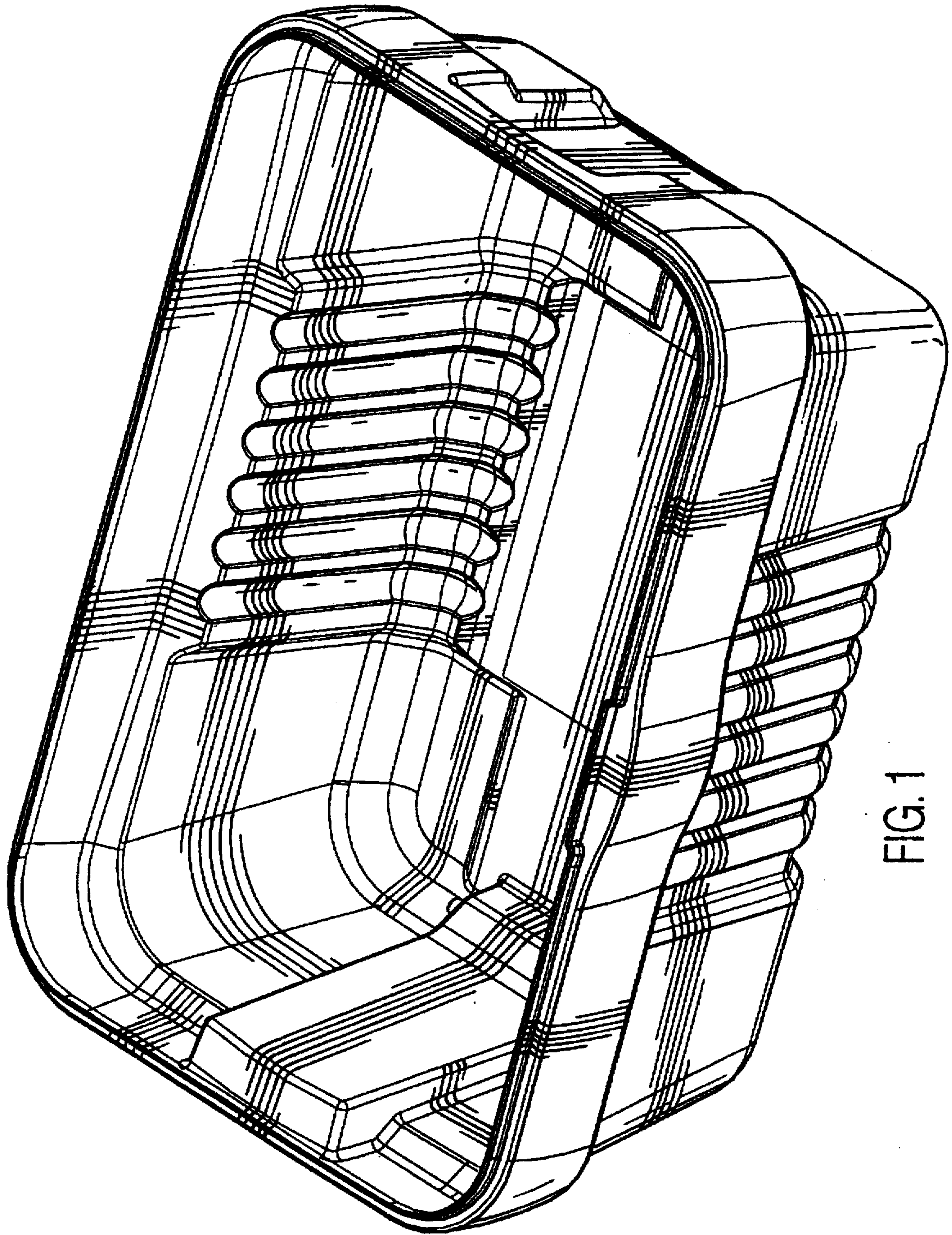


FIG. 1

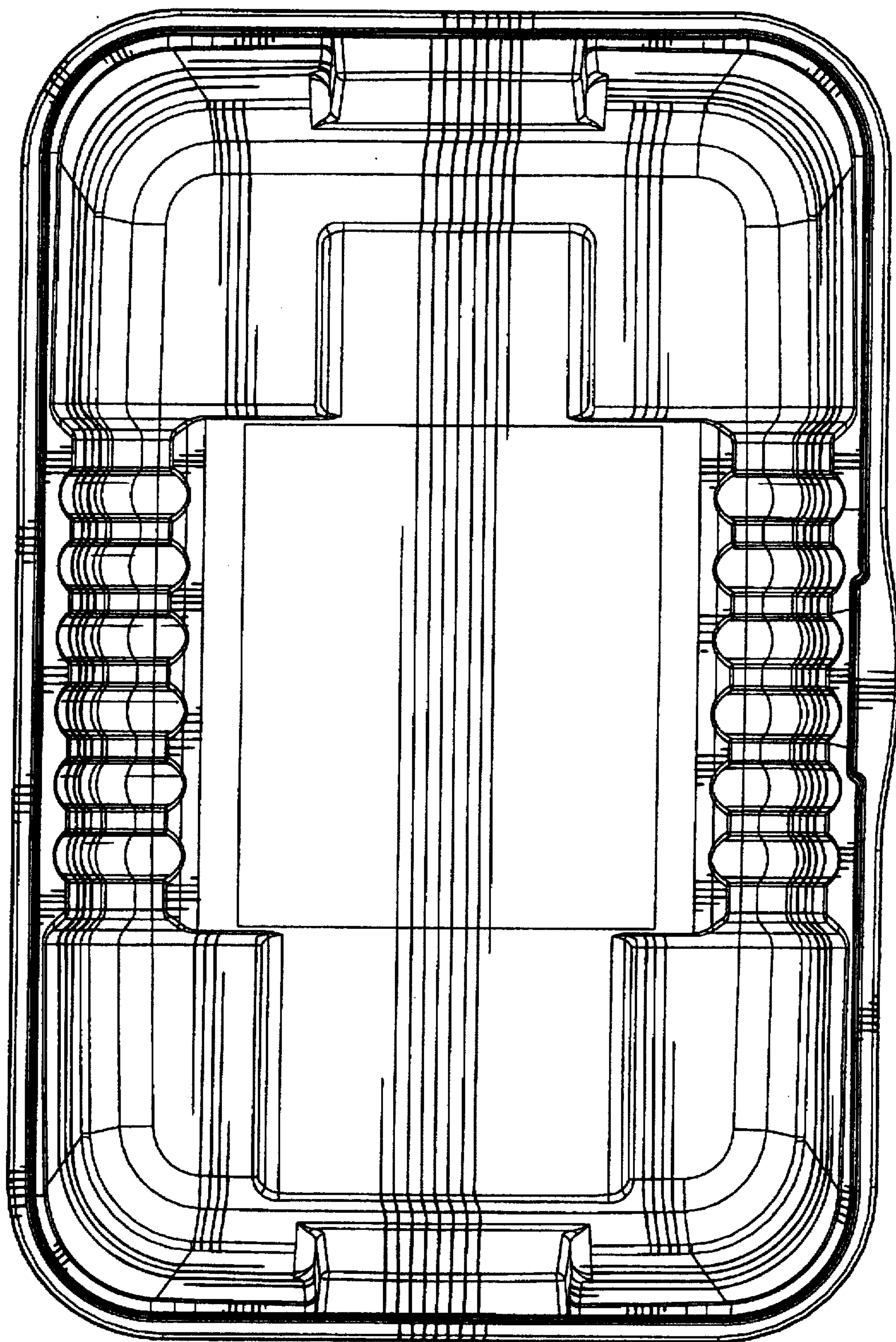


FIG. 2

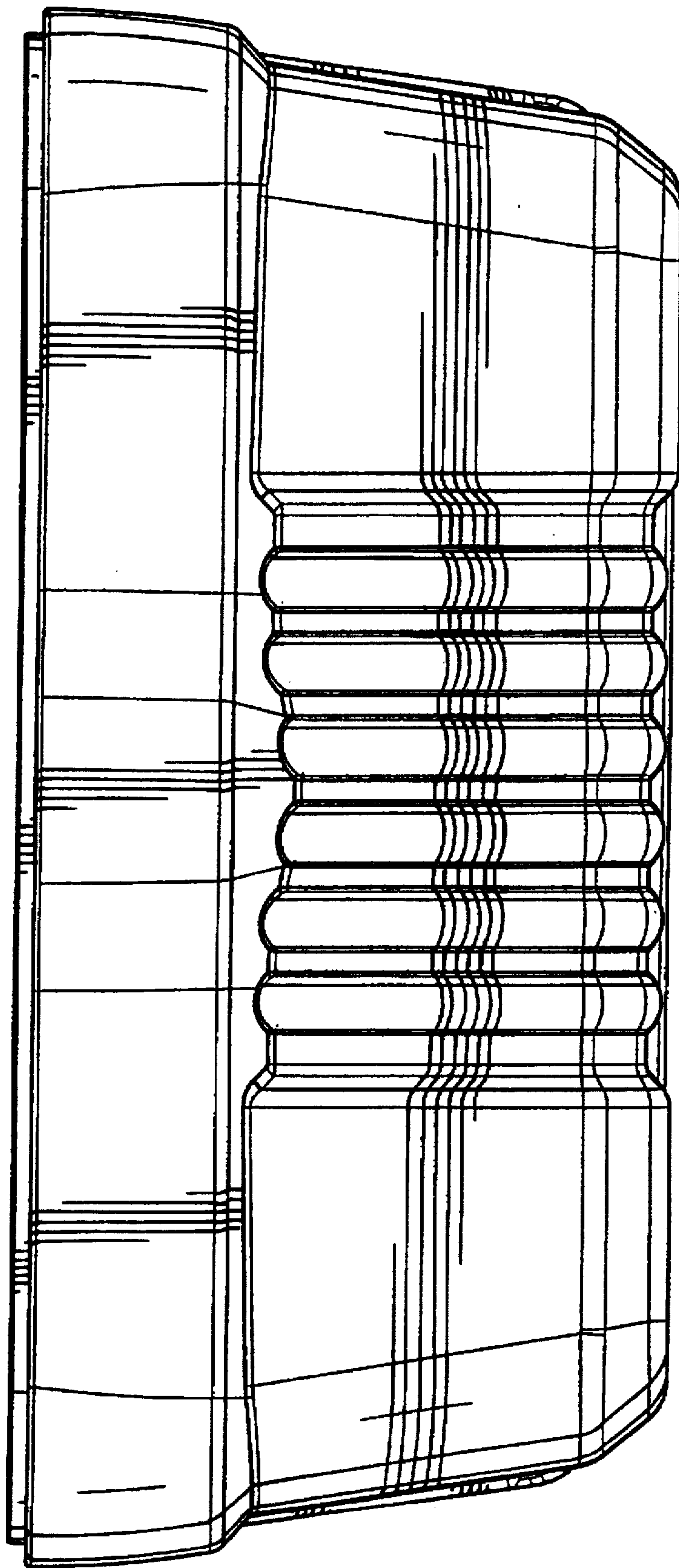


FIG. 3

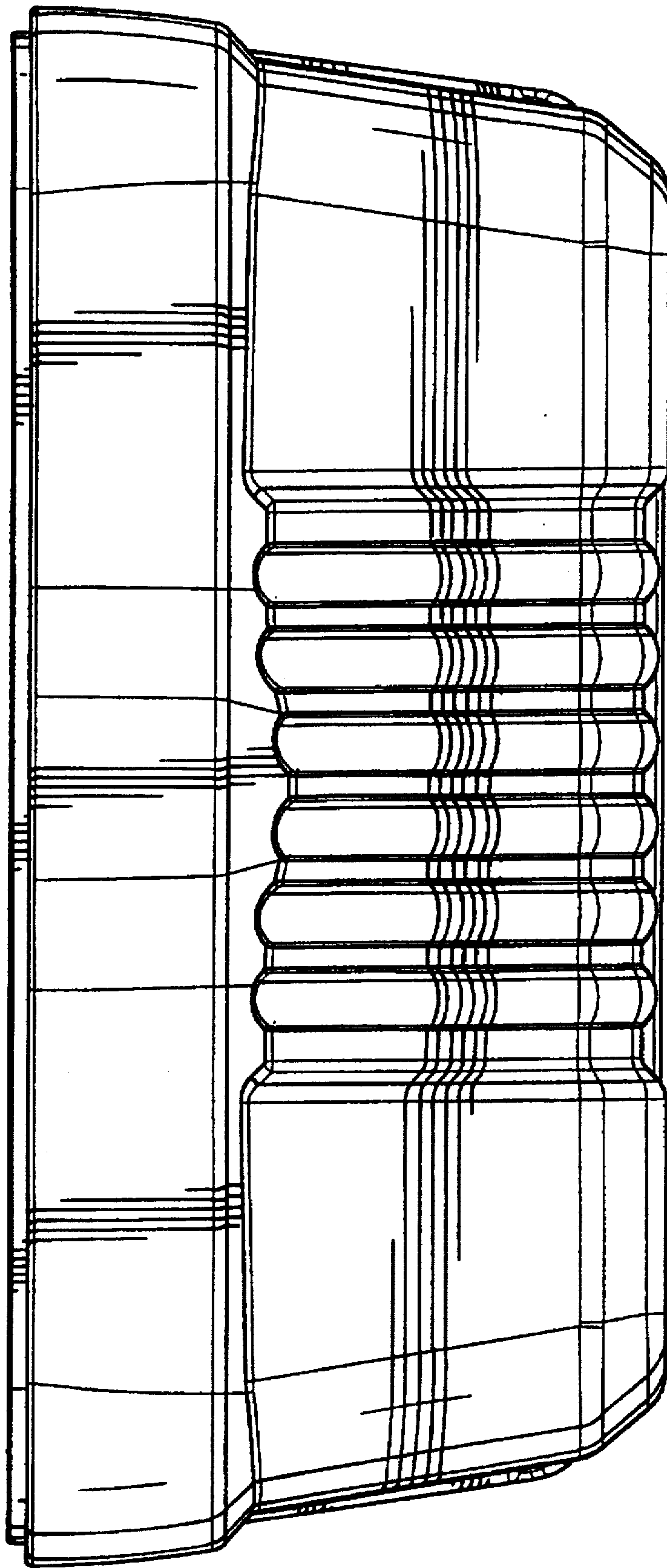


FIG. 4

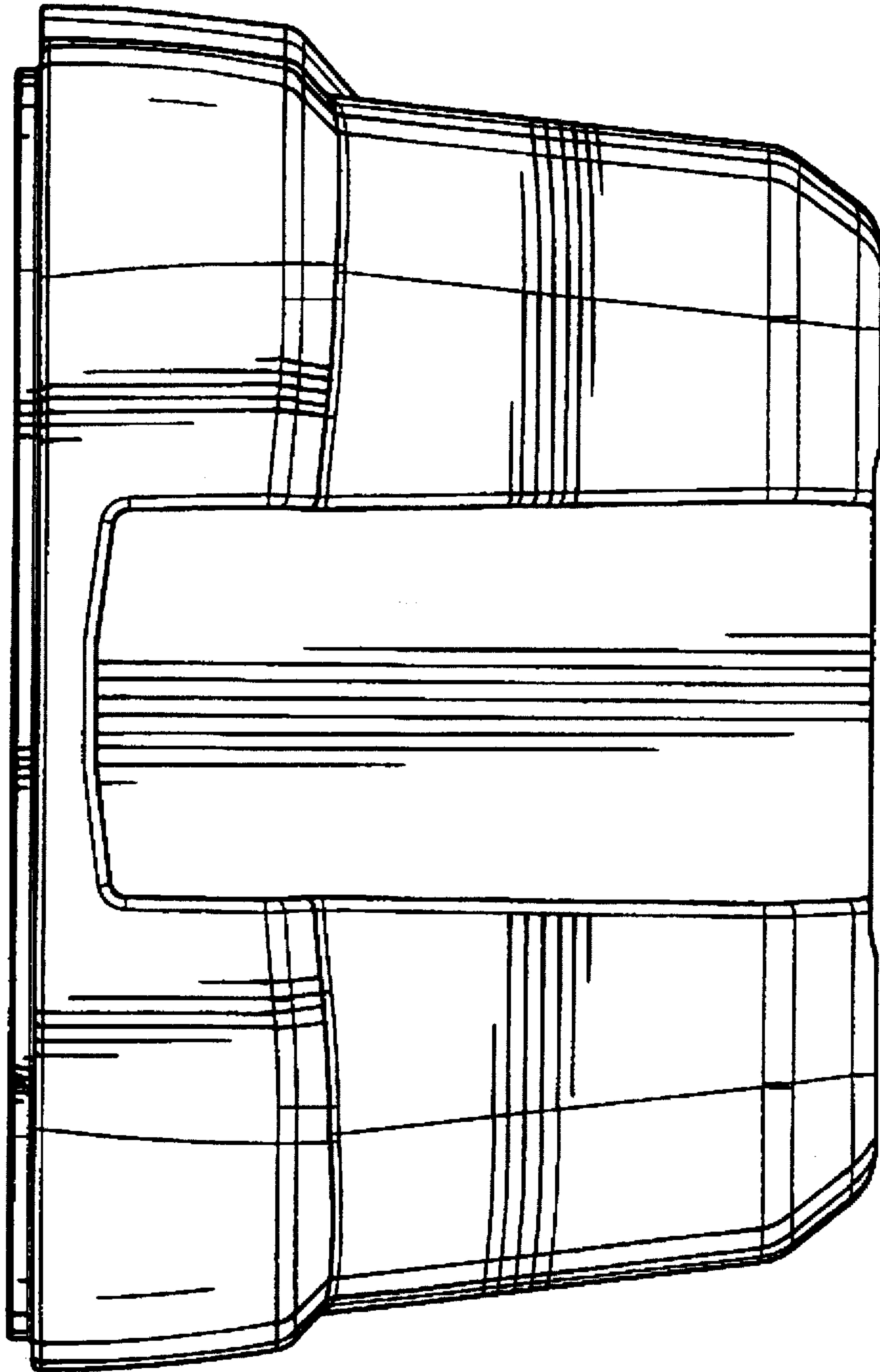


FIG. 5

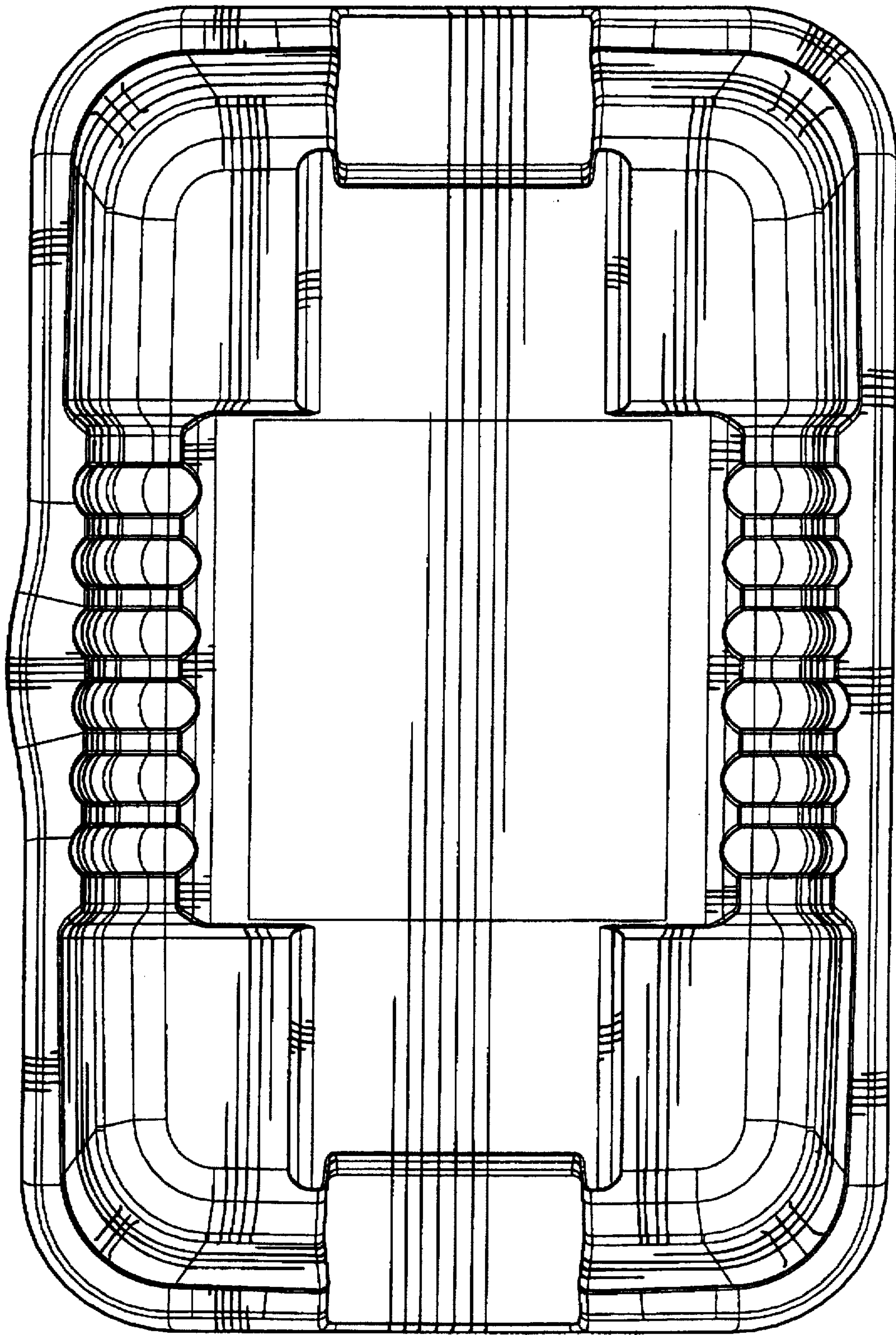


FIG. 6

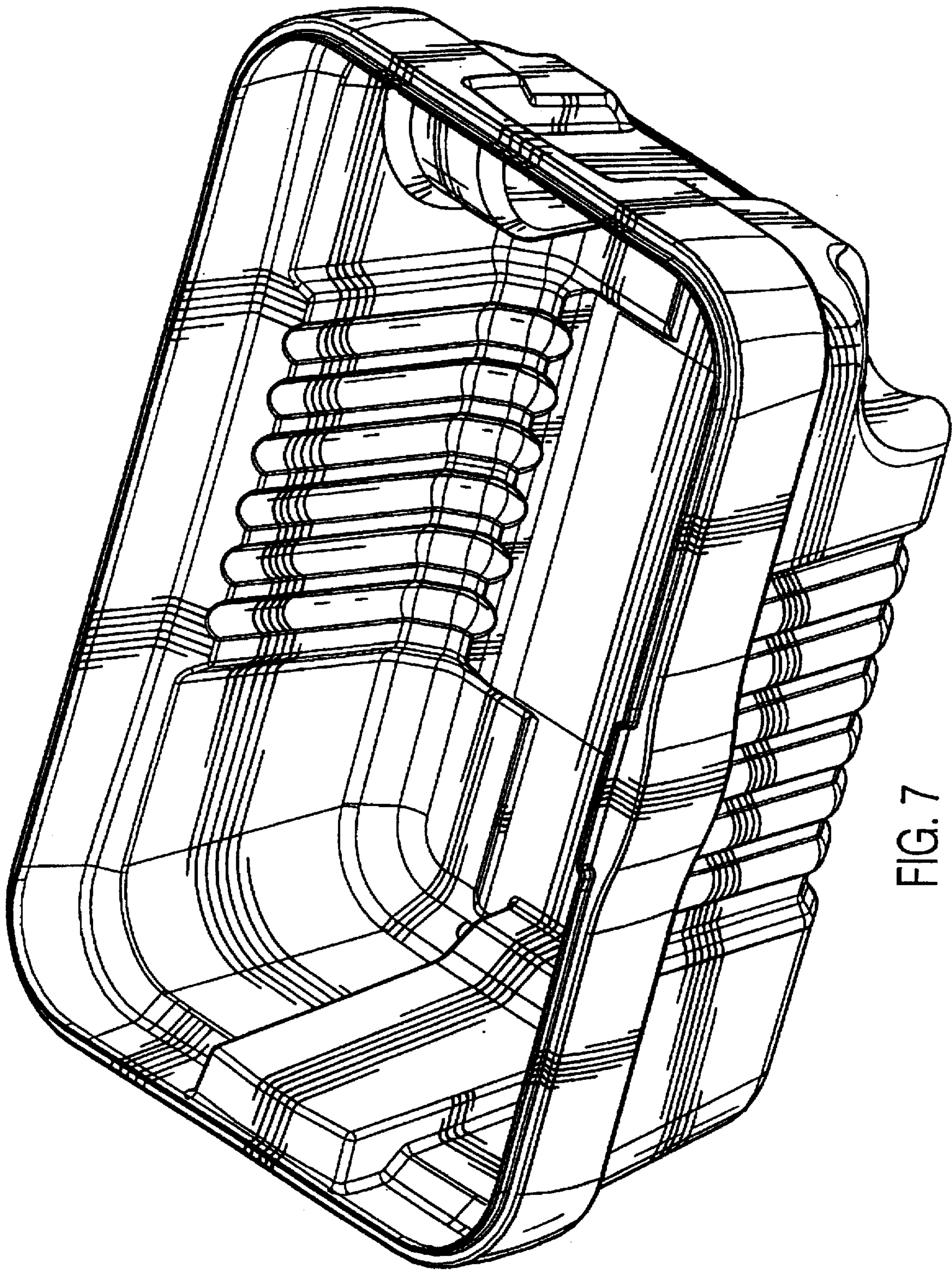


FIG. 7

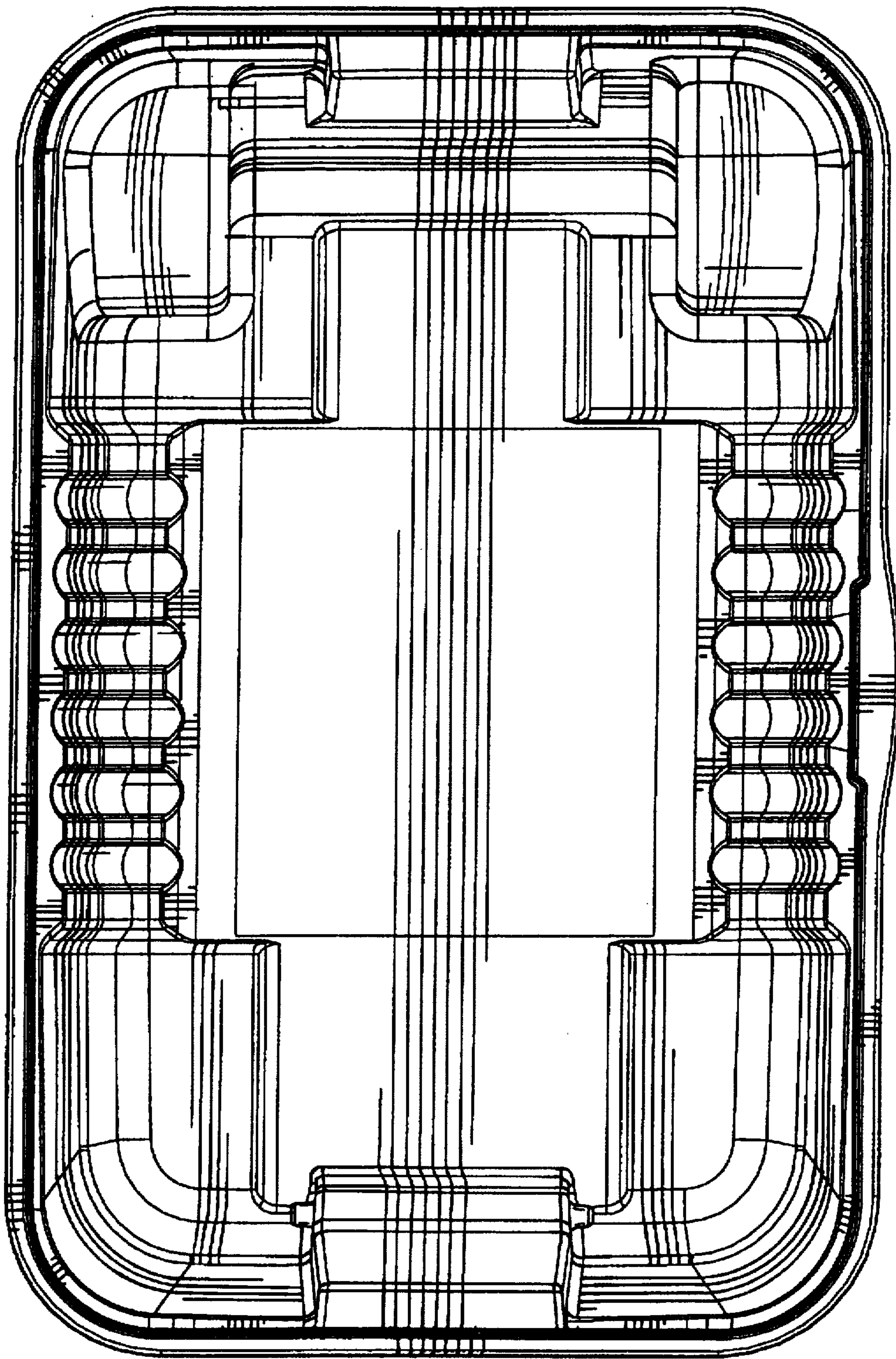


FIG. 8

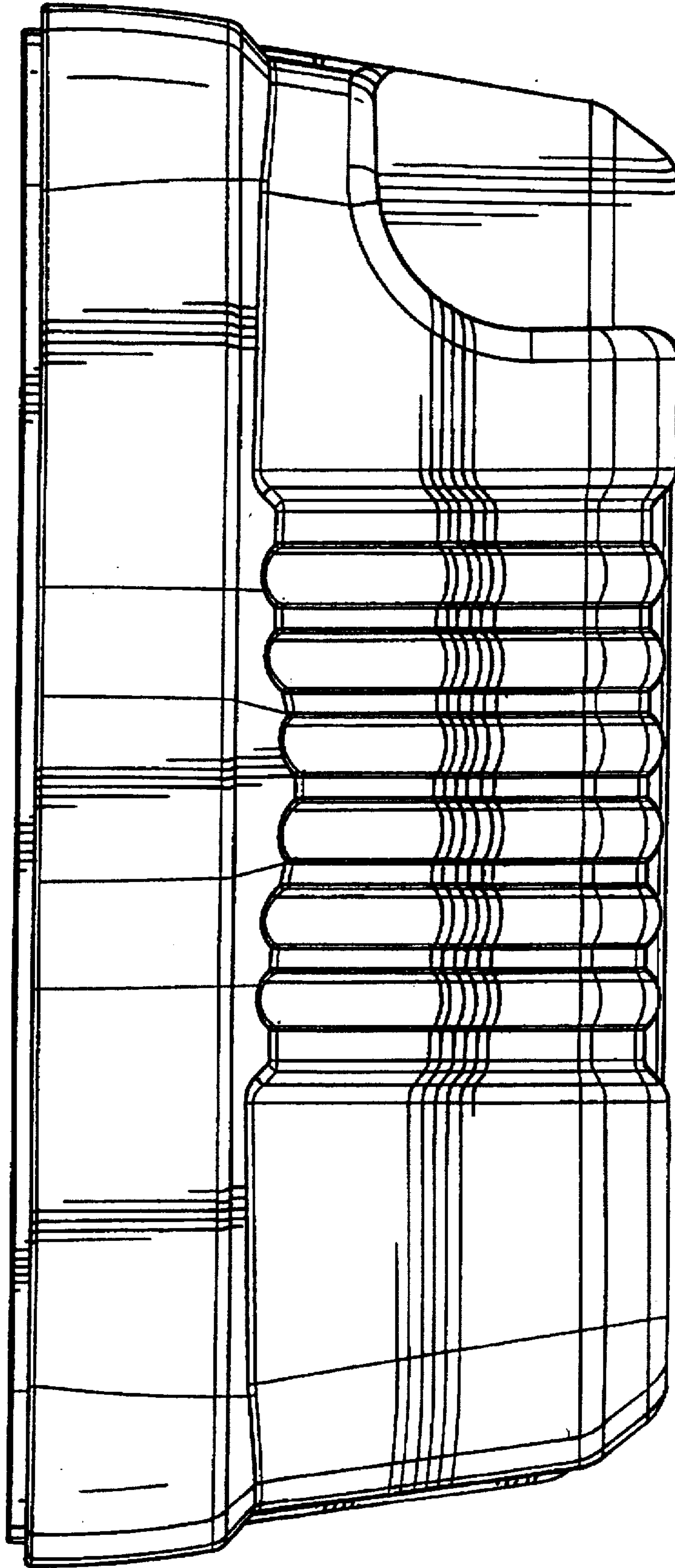


FIG. 9

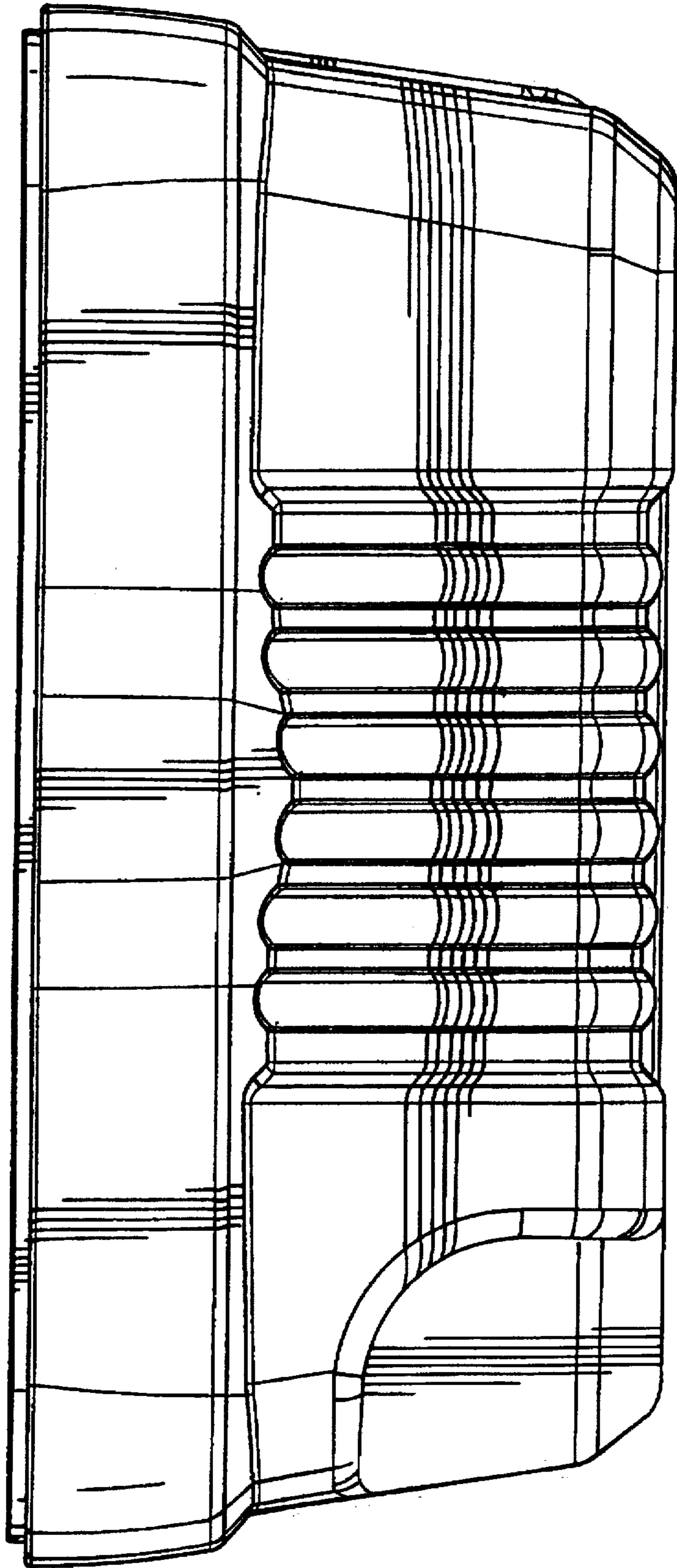


FIG. 10

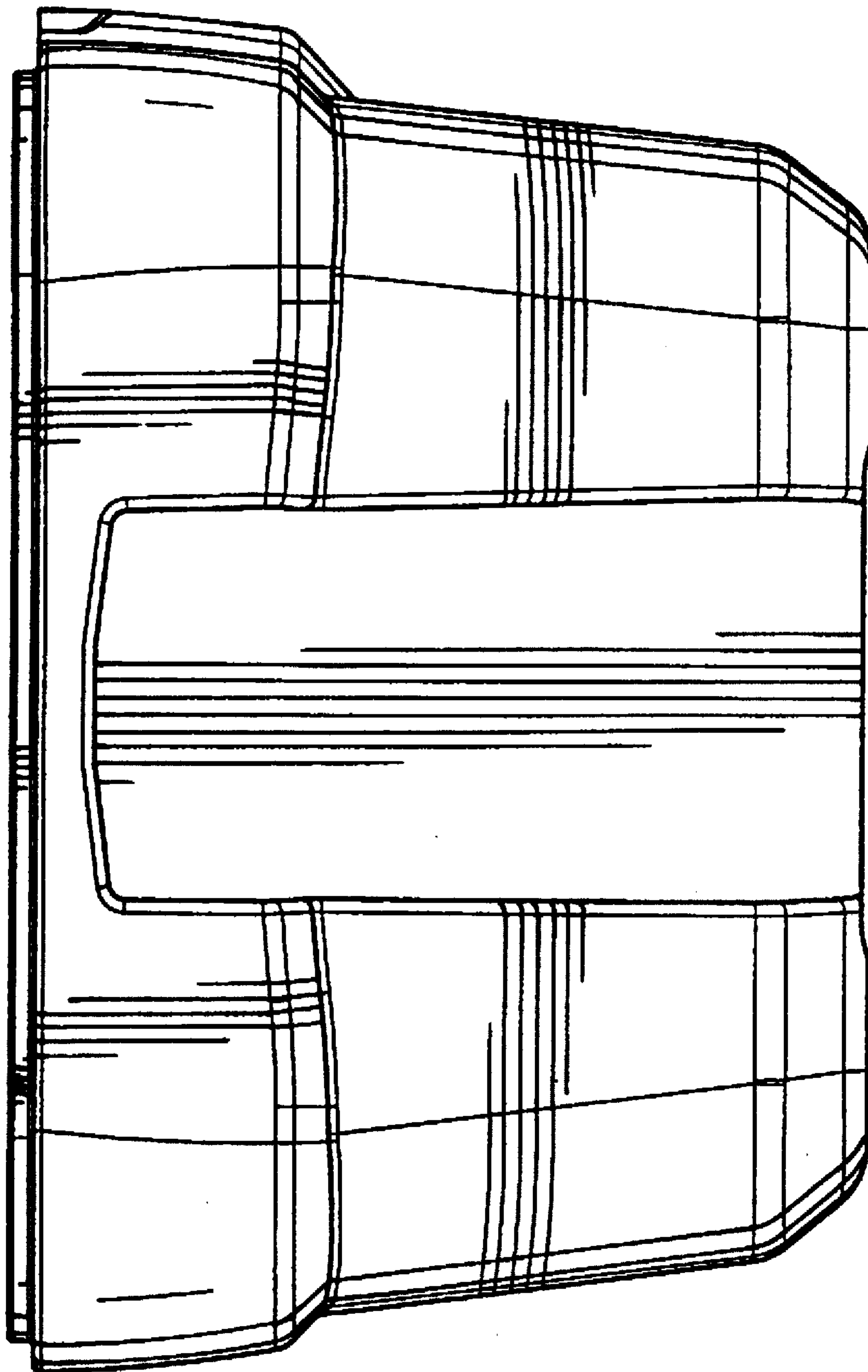


FIG. 11

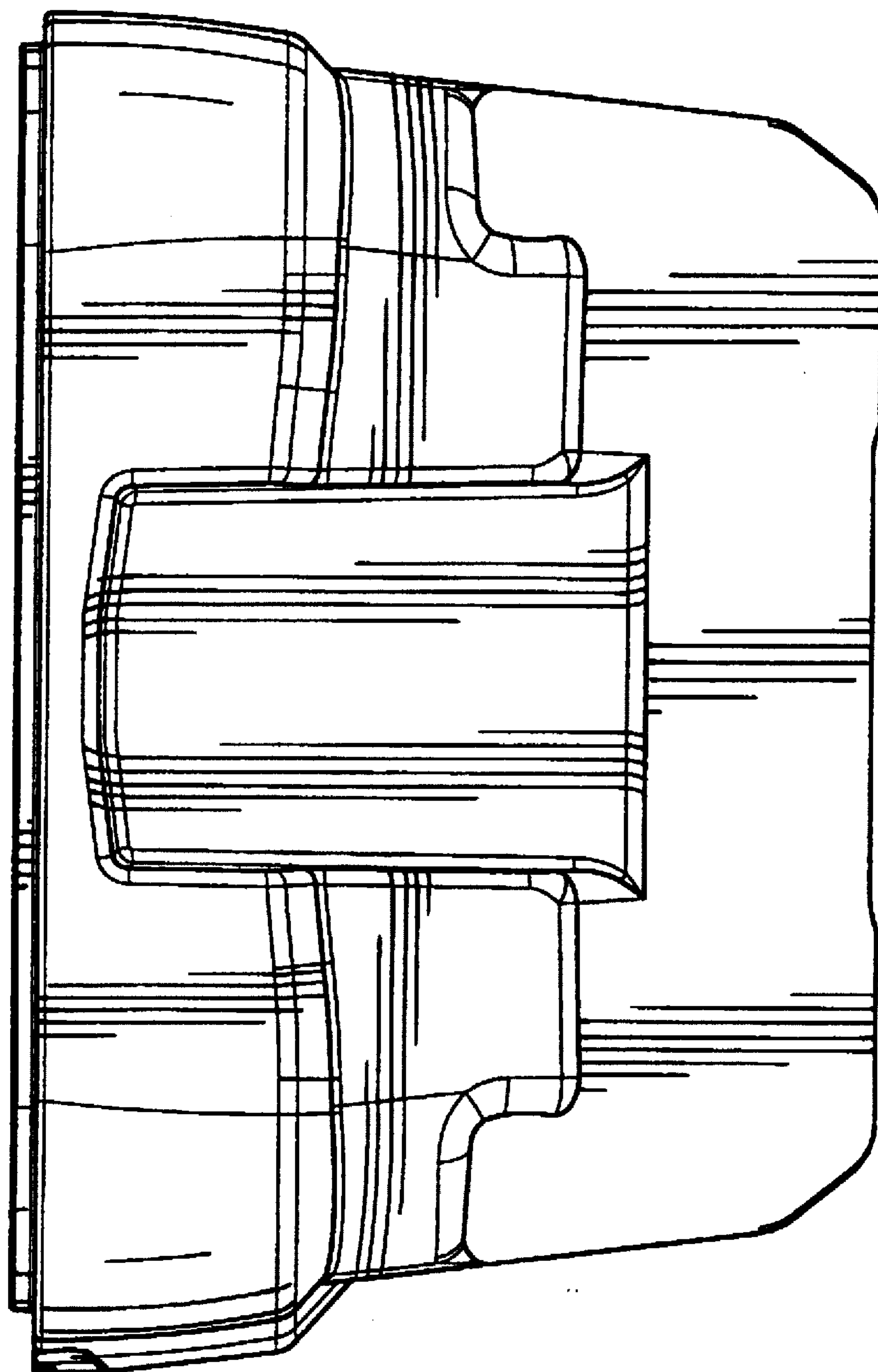


FIG. 12

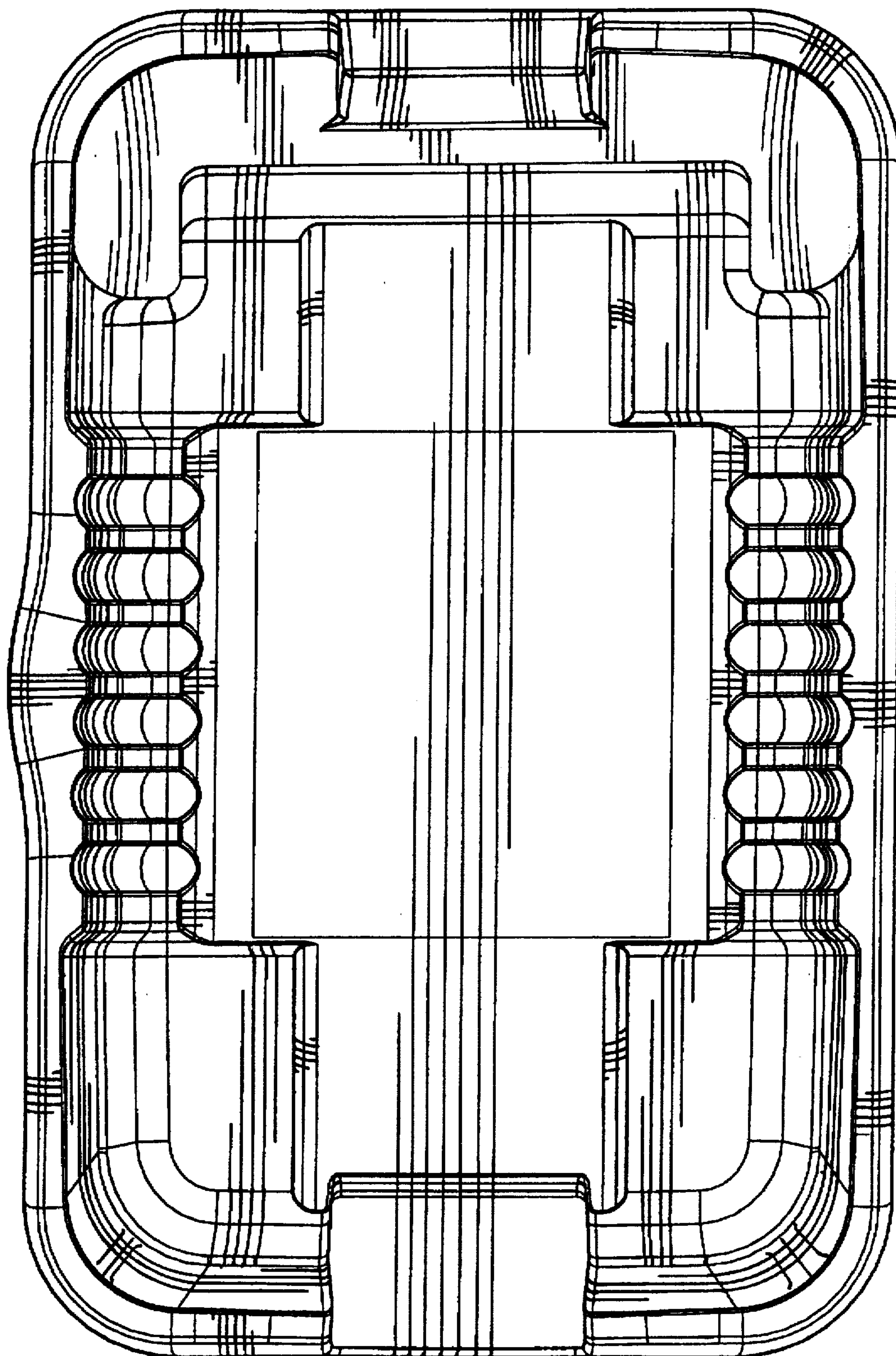


FIG. 13

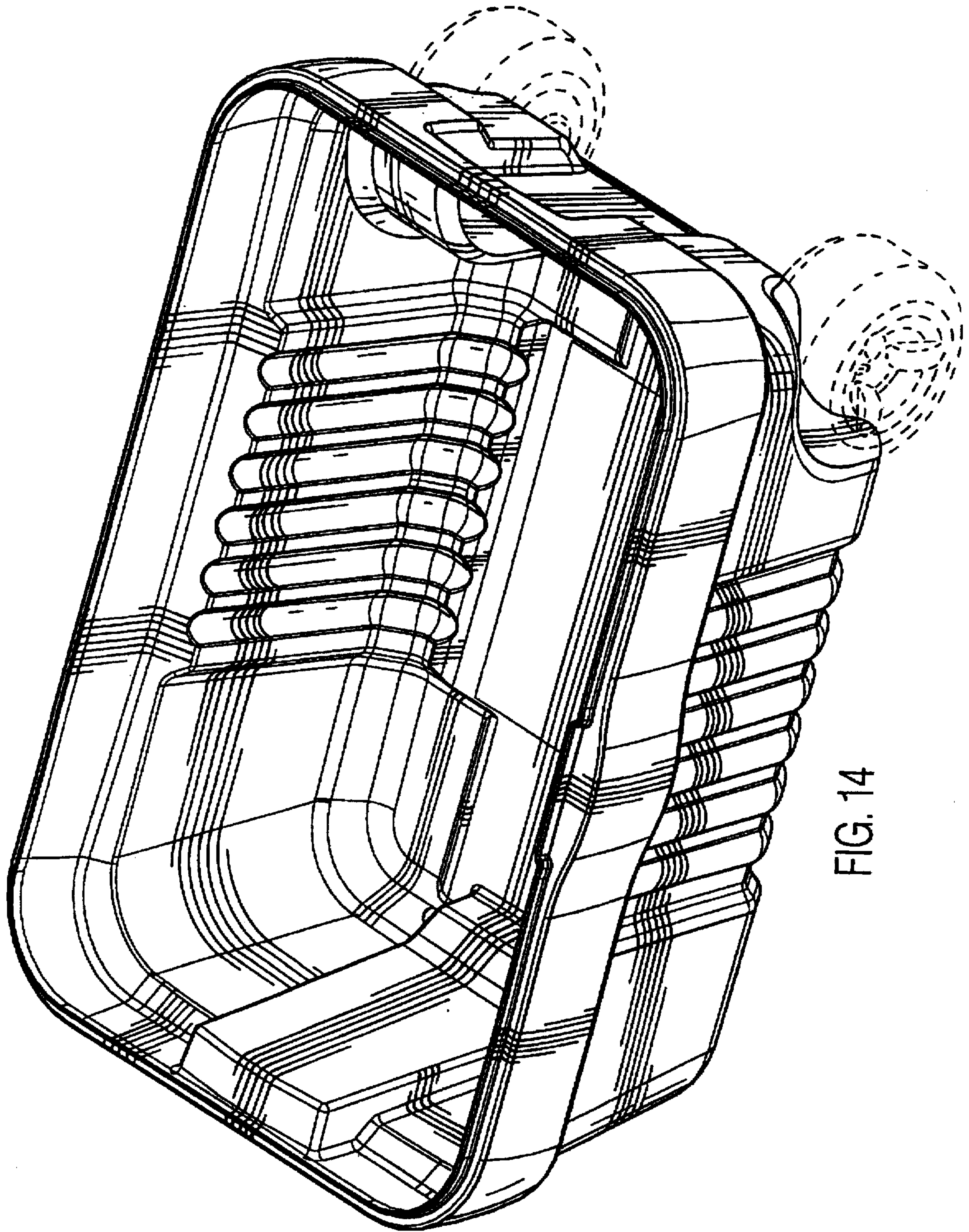


FIG. 14