



US00D387554S

# United States Patent [19]

Fritsche

[11] Patent Number: **Des. 387,554**

[45] Date of Patent: **\*\*Dec. 16, 1997**

[54] **HELMET KEYCHAIN ORNAMENT**

[76] Inventor: **James T. Fritsche**, 6414 Fordham Dr.,  
Parma, Ohio 44129

[\*\*] Term: **14 Years**

[21] Appl. No.: **59,456**

[22] Filed: **Sep. 11, 1996**

[51] LOC (6) Cl. .... **03-01**

[52] U.S. Cl. .... **D3/211; D29/106**

[58] Field of Search ..... D3/207-212, 99,  
D3/97, 81, 48, 49; 24/3.6; 70/456 R, 456 B;  
D29/102

[56] **References Cited**

**U.S. PATENT DOCUMENTS**

- D. 260,699 9/1981 Yu ..... D3/211
- D. 353,026 11/1994 Kamata ..... D29/107
- D. 355,731 2/1995 Gingras ..... D29/102

- D. 361,867 8/1995 Taniuchi ..... D29/106
- D. 370,836 6/1996 Van Blankenburg ..... D29/106

*Primary Examiner*—Ralf Seifert  
*Attorney, Agent, or Firm*—D. Peter Hochberg; Mark Kusner

[57] **CLAIM**

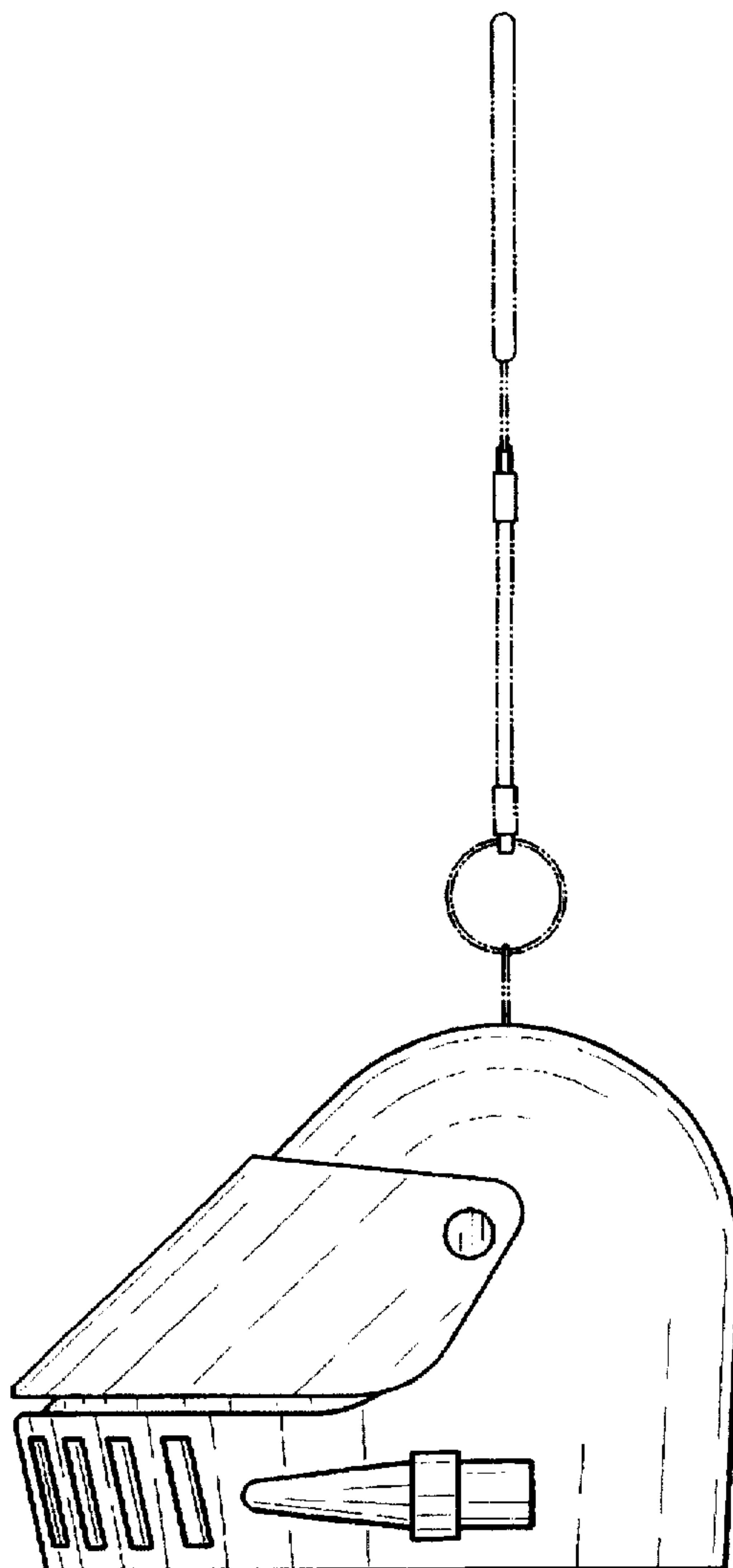
The ornamental design for helmet keychain ornament, as shown.

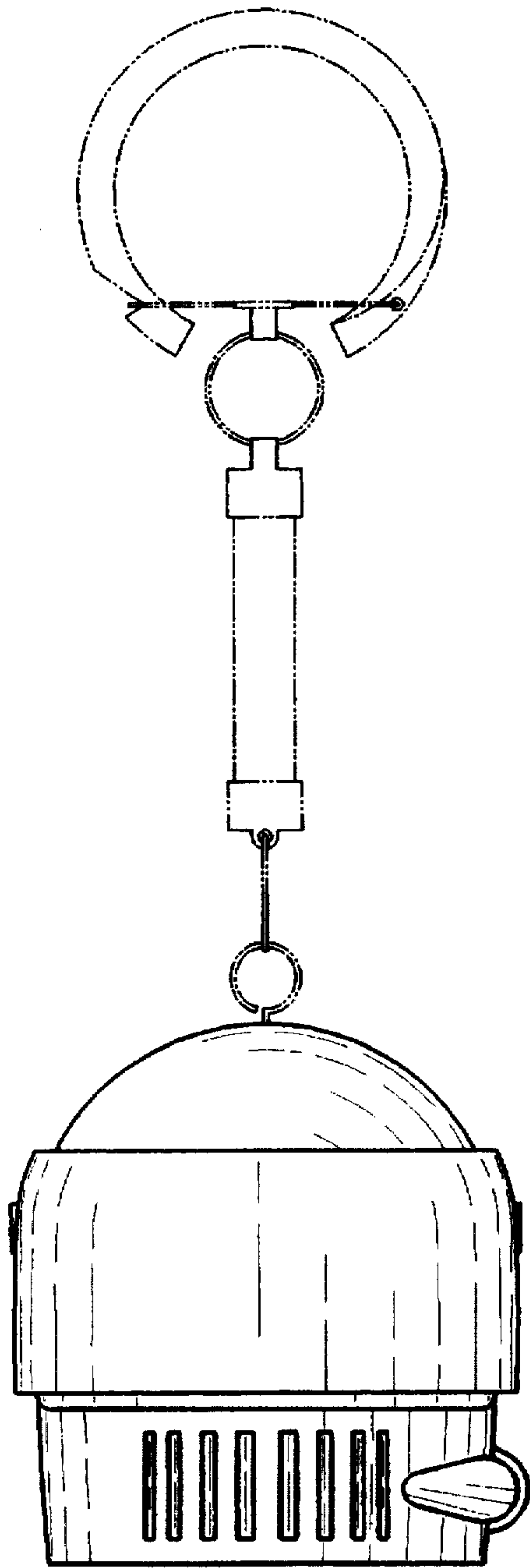
**DESCRIPTION**

FIG. 1 is a front elevational view of a helmet keychain ornament showing my new design;  
 FIG. 2 is a right side elevational view thereof;  
 FIG. 3 is a left side elevational view thereof;  
 FIG. 4 is a rear elevational view thereof;  
 FIG. 5 is a top plan view thereof; and,  
 FIG. 6 is a bottom plan view thereof.

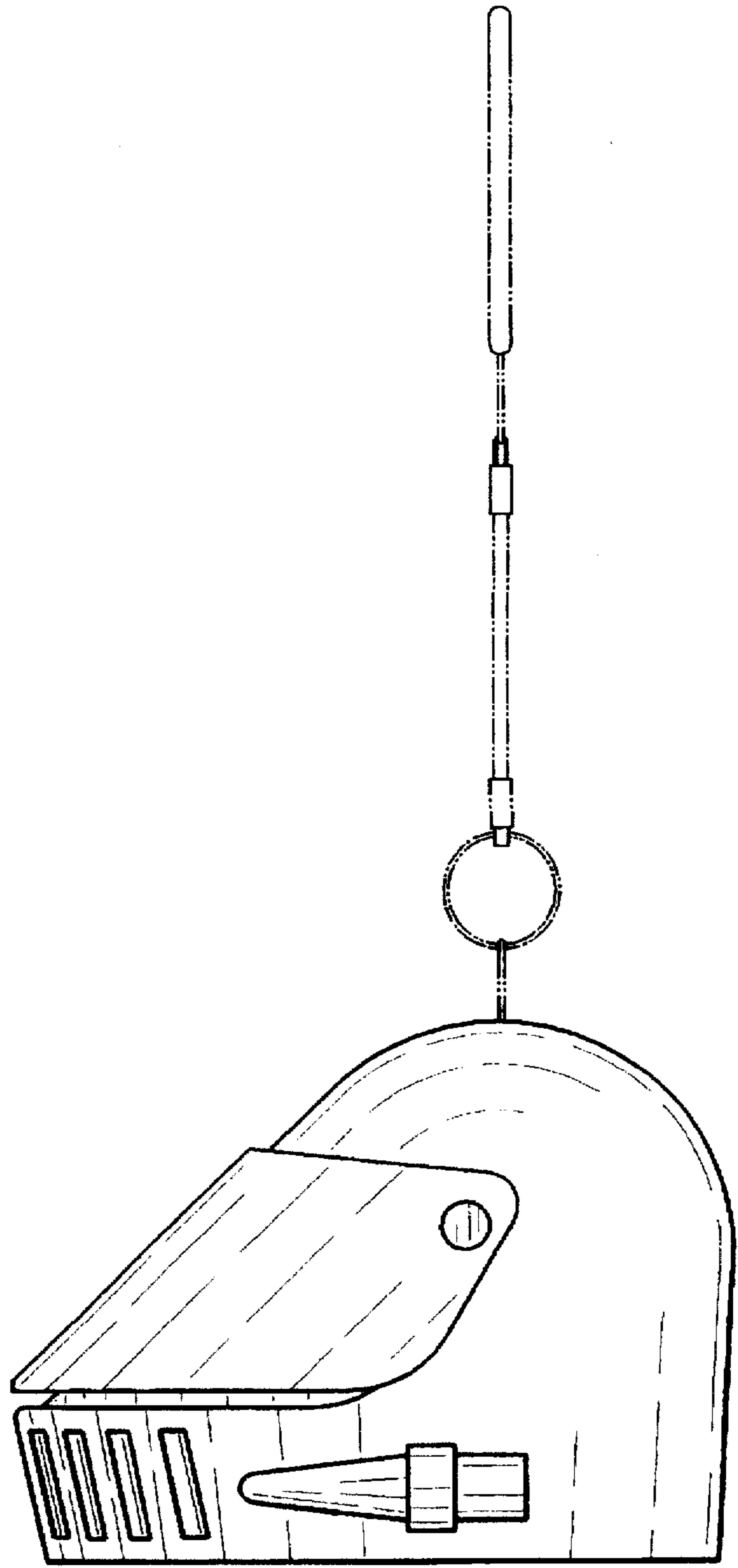
The broken line showing of a keychain, in FIGS. 1-5, is for illustrative purposes only and forms no part of the claimed design.

**1 Claim, 3 Drawing Sheets**





*Fig. 1*



*Fig. 2*

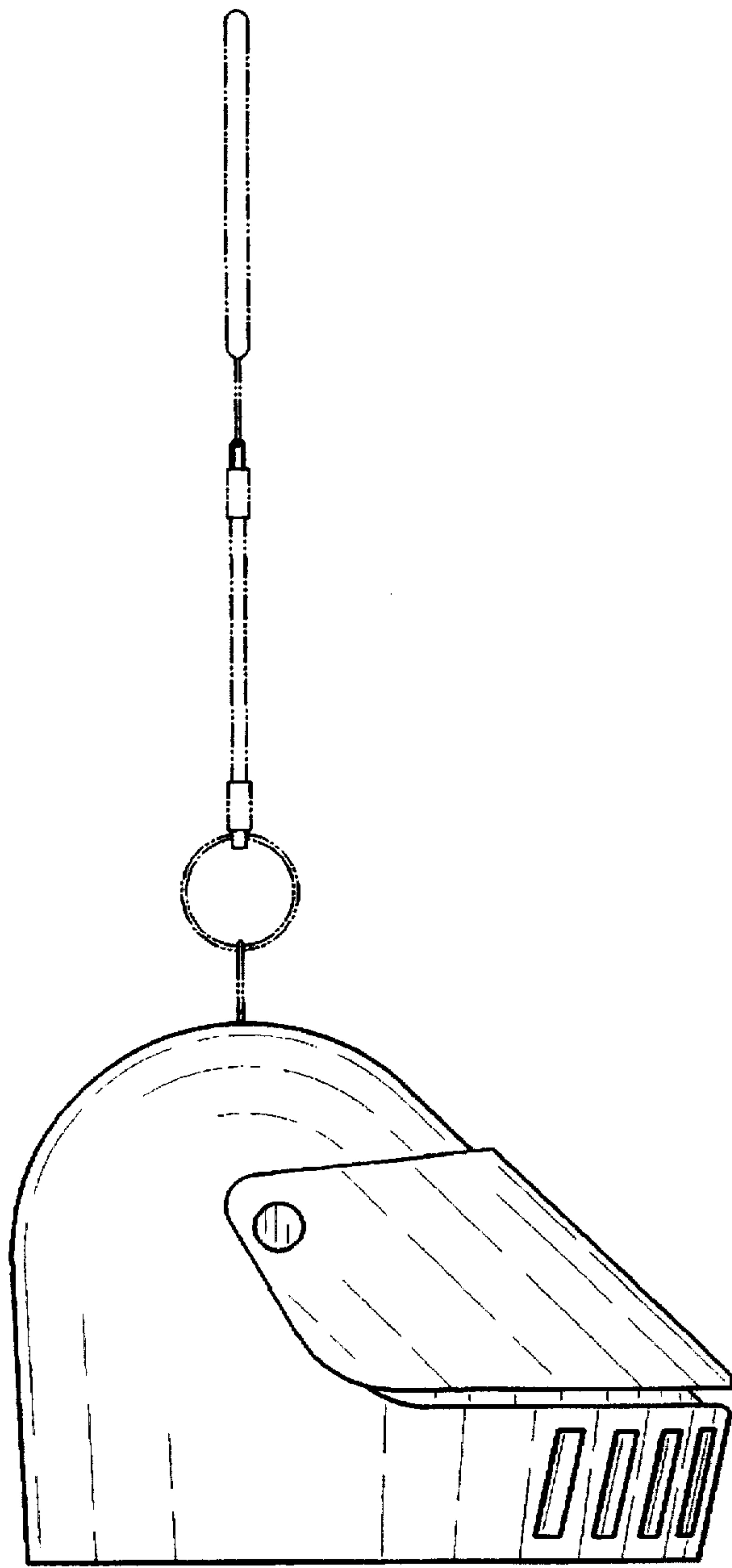


Fig. 3

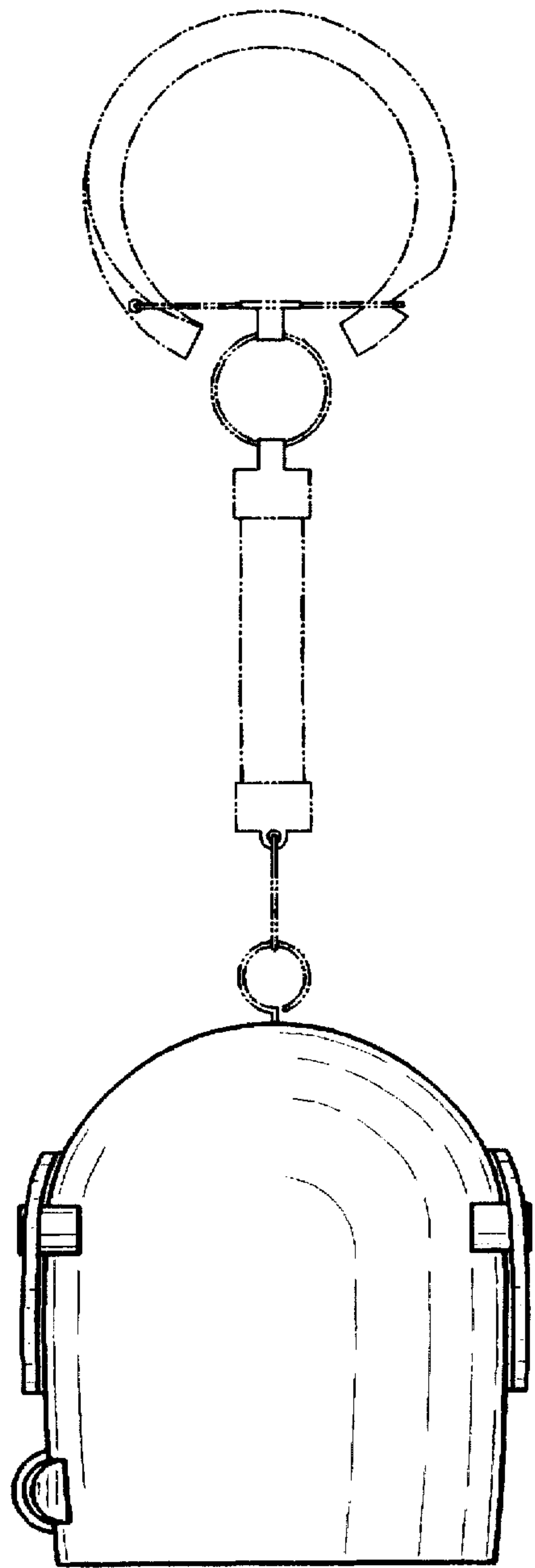
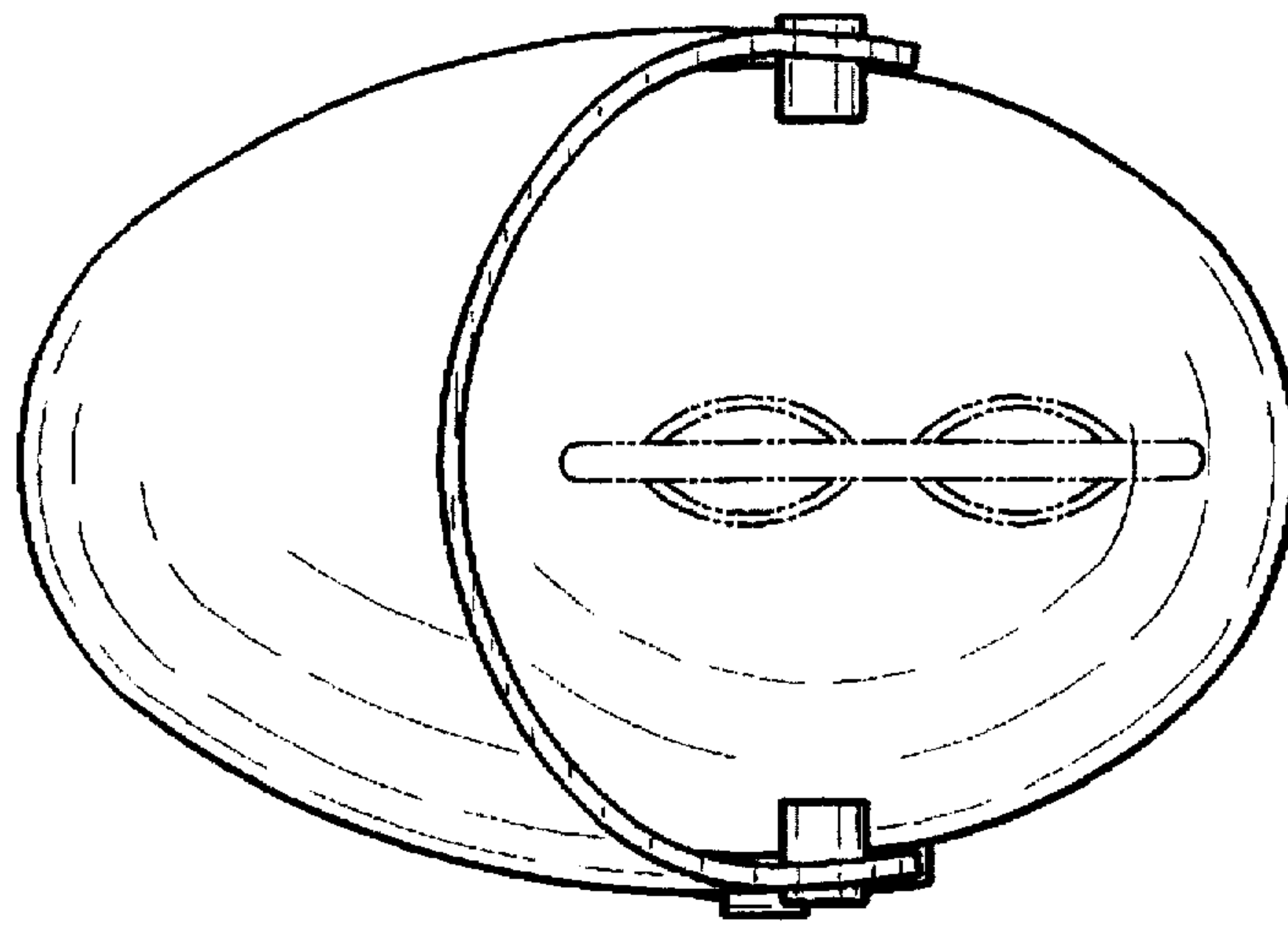
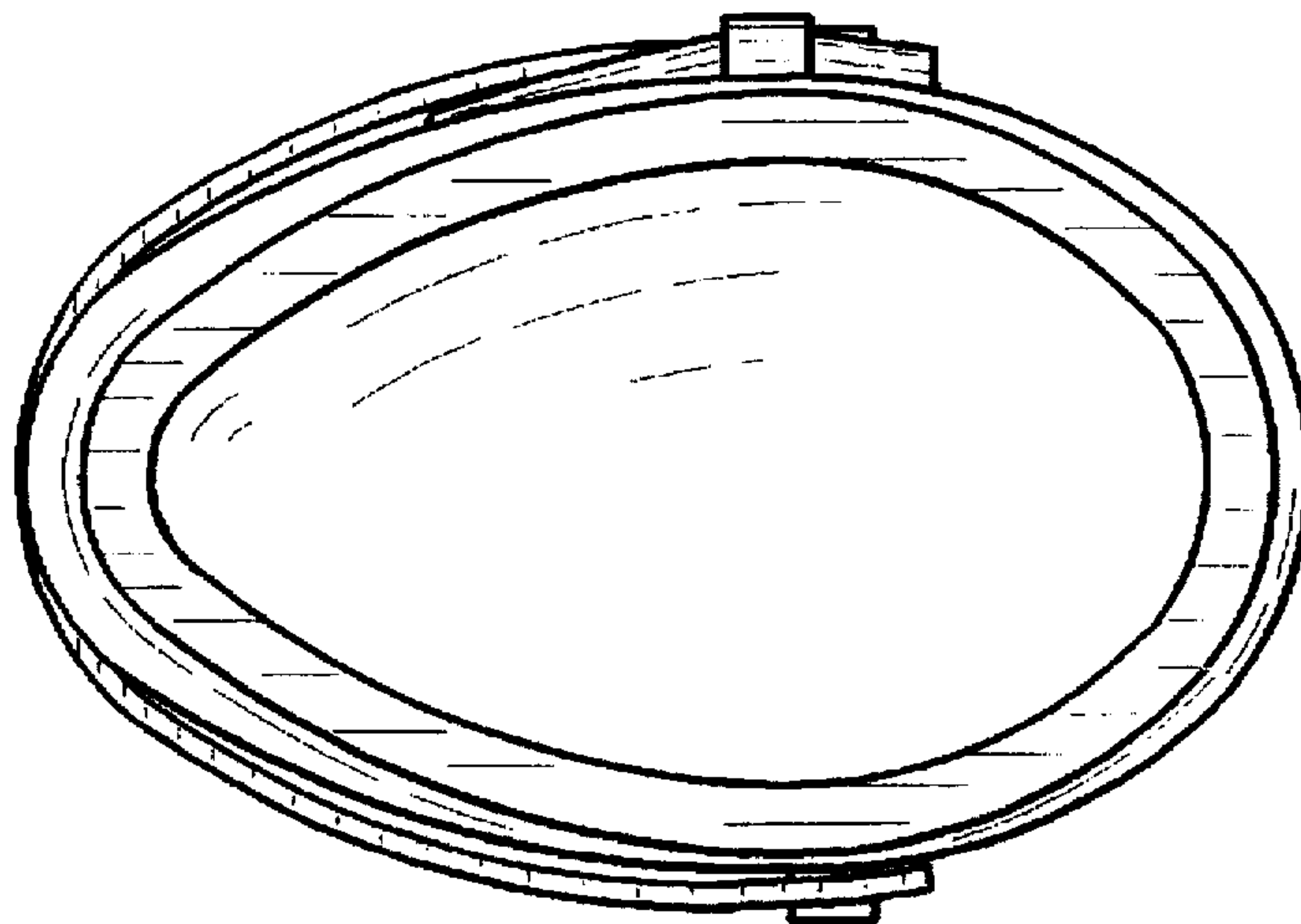


Fig. 4



*Fig. 5*



*Fig. 6*