



US00D387542S

**United States Patent** [19]  
**Smith**

[11] **Patent Number: Des. 387,542**

[45] **Date of Patent: \*\*Dec. 16, 1997**

[54] **NOVELTY SPORTS HEADWEAR**

[76] **Inventor: Frank J. Smith, 425 Dennis Dr.,  
Shepherdsville, Ky. 40165**

[\*\*] **Term: 14 Years**

[21] **Appl. No.: 61,325**

[22] **Filed: Oct. 22, 1996**

[51] **LOC (6) Cl. .... 02-03**

[52] **U.S. Cl. .... D2/873; D2/869**

[58] **Field of Search .... D2/865, 866, 868,  
D2/869, 872, 873, 876, 879; 2/171.1, 181,  
181.1, 181.4, 195.1, 209.12, 209.13**

[56] **References Cited**

**U.S. PATENT DOCUMENTS**

D. 92,706	7/1934	Dahlquist .....	D2/869
D. 110,933	8/1938	Steffen .....	D2/869
D. 257,184	10/1980	Peham .....	D2/872
D. 279,137	6/1985	Sing .....	D2/872
D. 292,342	10/1987	Schlegel .....	D2/872
D. 303,036	8/1989	Giles .....	D2/872

D. 311,267	10/1990	Pesta .....	D2/869
D. 350,221	9/1994	Van Doren .....	D2/866
D. 364,727	12/1995	Allgood .....	D2/882
2,343,155	2/1944	Paul .....	D2/883 X

*Primary Examiner*—Paula A. Mortimer  
*Attorney, Agent, or Firm*—Middleton & Reutlinger; John F. Salazar

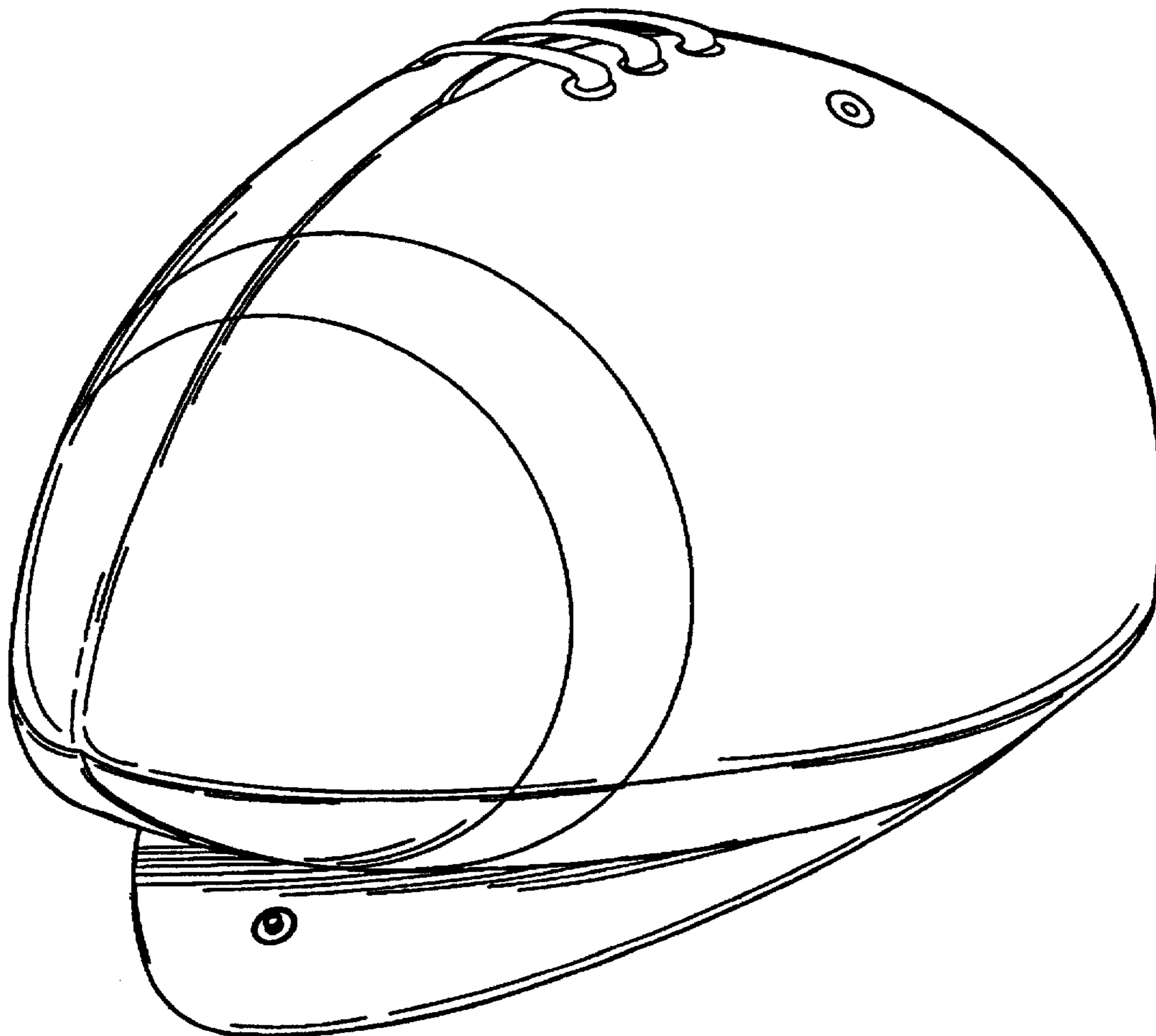
[57] **CLAIM**

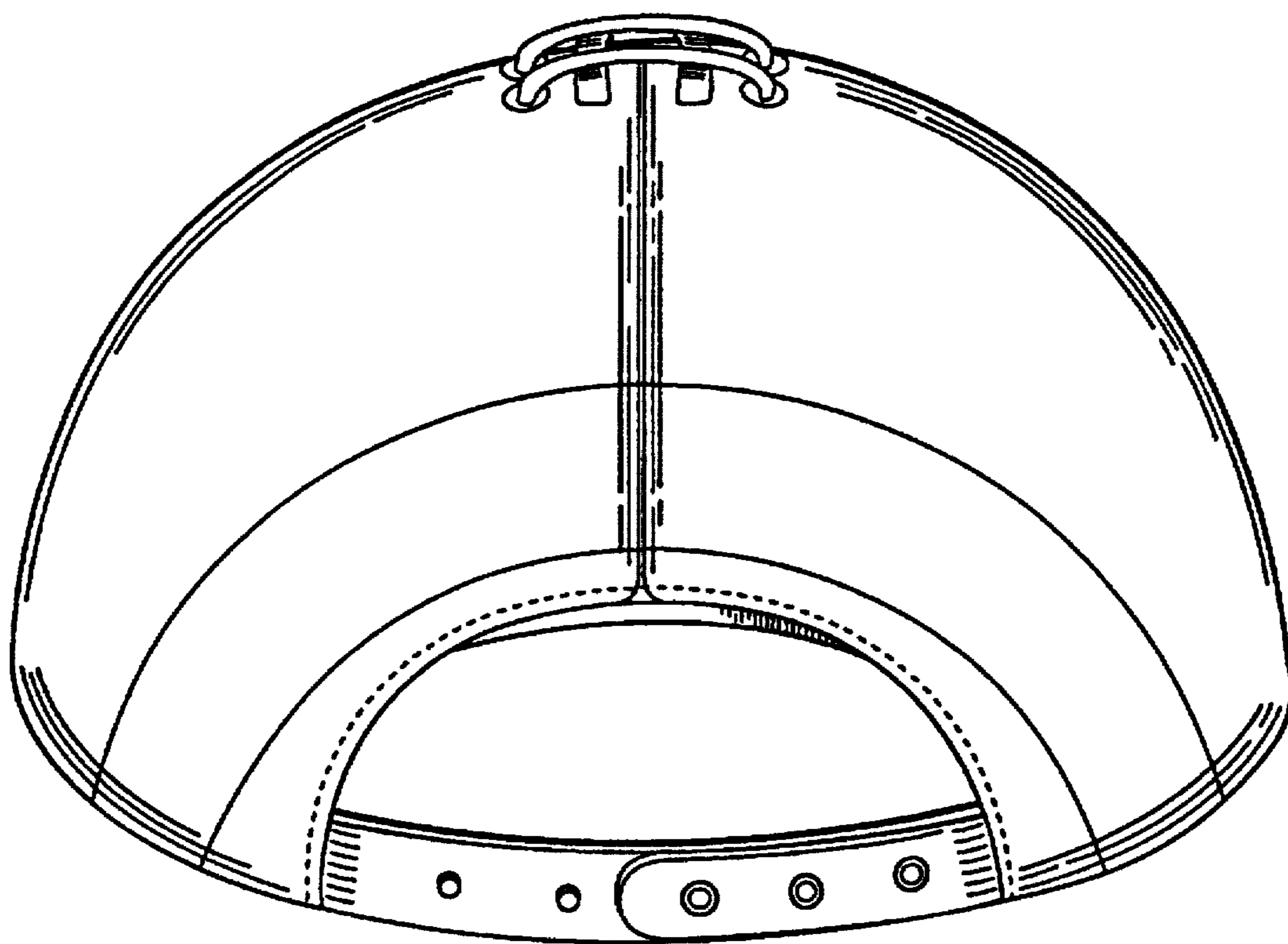
The ornamental design for novelty sports headwear, as shown and described.

**DESCRIPTION**

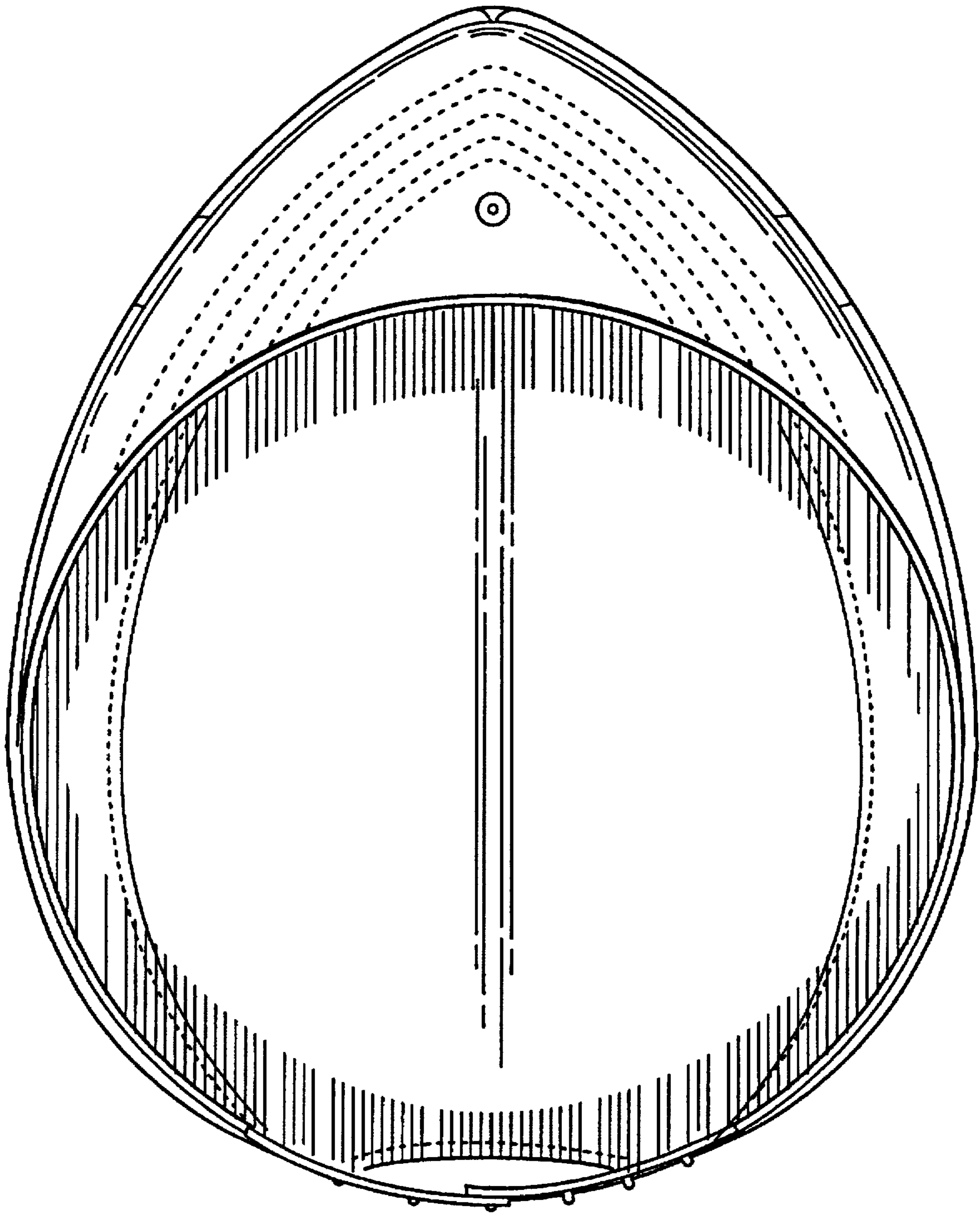
FIG. 1 is a rear elevational view of novelty sports headwear showing my new design;  
FIG. 2 is a bottom plan view thereof;  
FIG. 3 is a left side elevational view thereof;  
FIG. 4 is a top plan view thereof;  
FIG. 5 is an alternate front elevational view thereof with the bill in a snapped upward position;  
FIG. 6 is a right side elevational view thereof; and,  
FIG. 7 is a front perspective view thereof.

**1 Claim, 7 Drawing Sheets**





*FIG. 1*



*FIG.2*

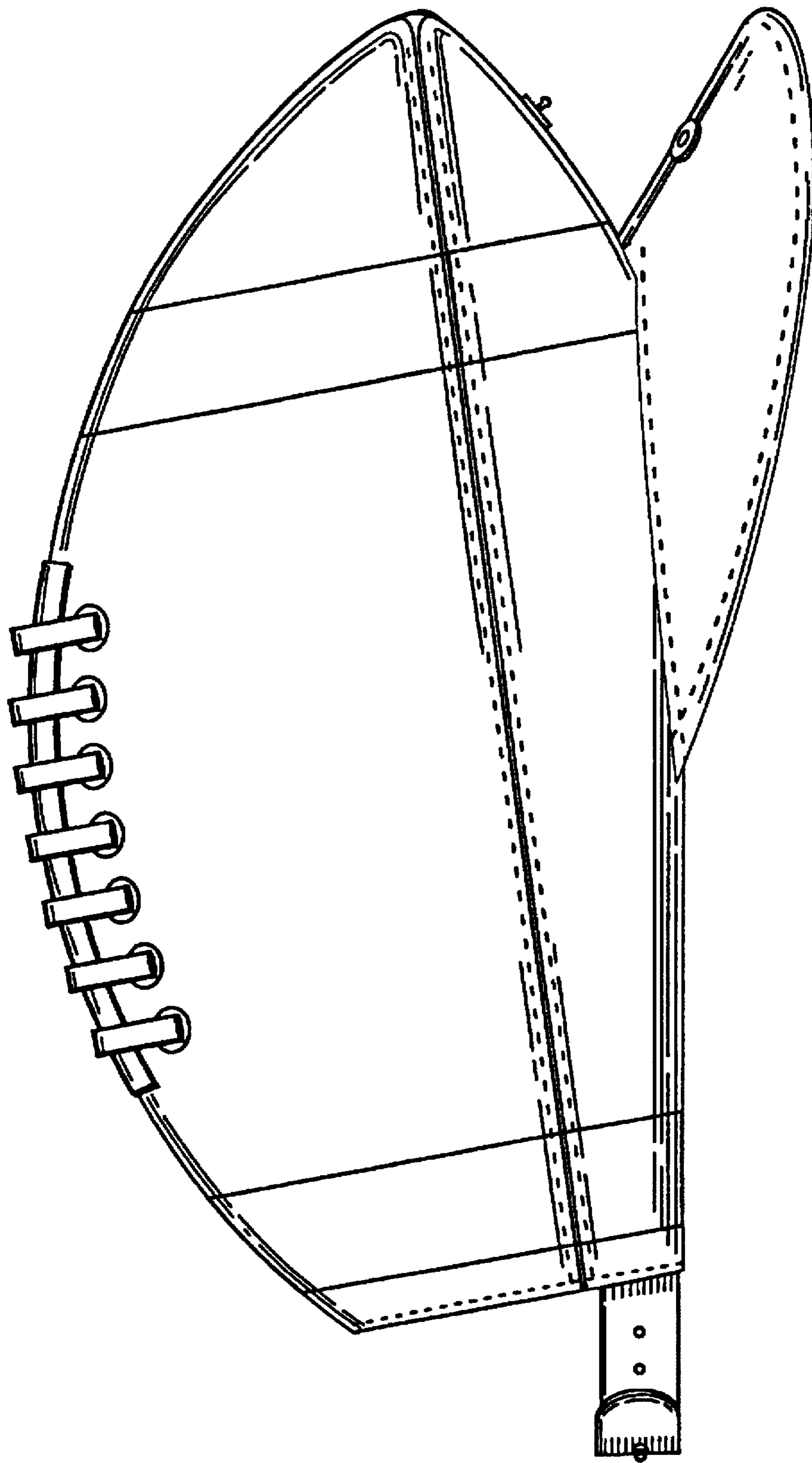


FIG. 3

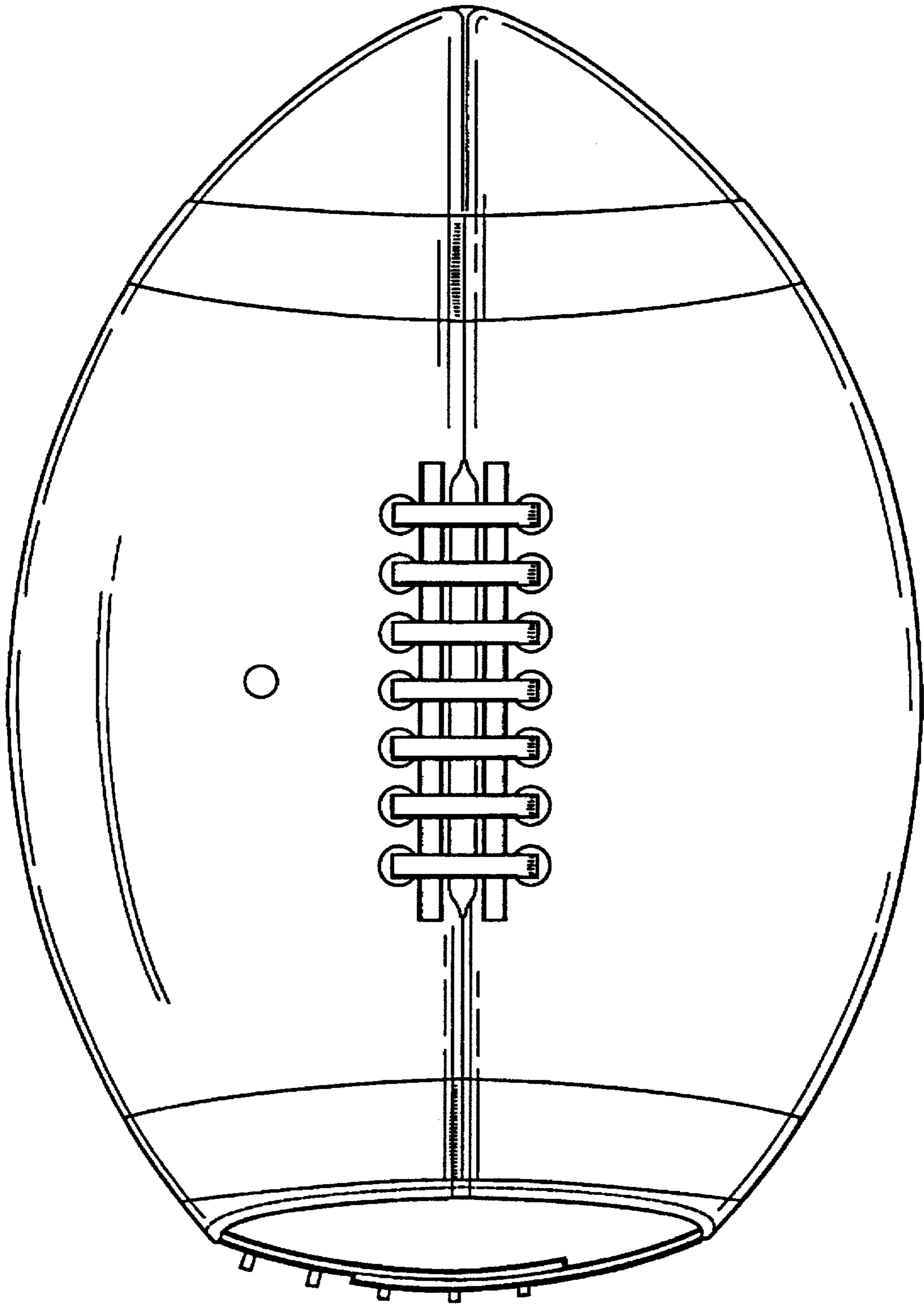
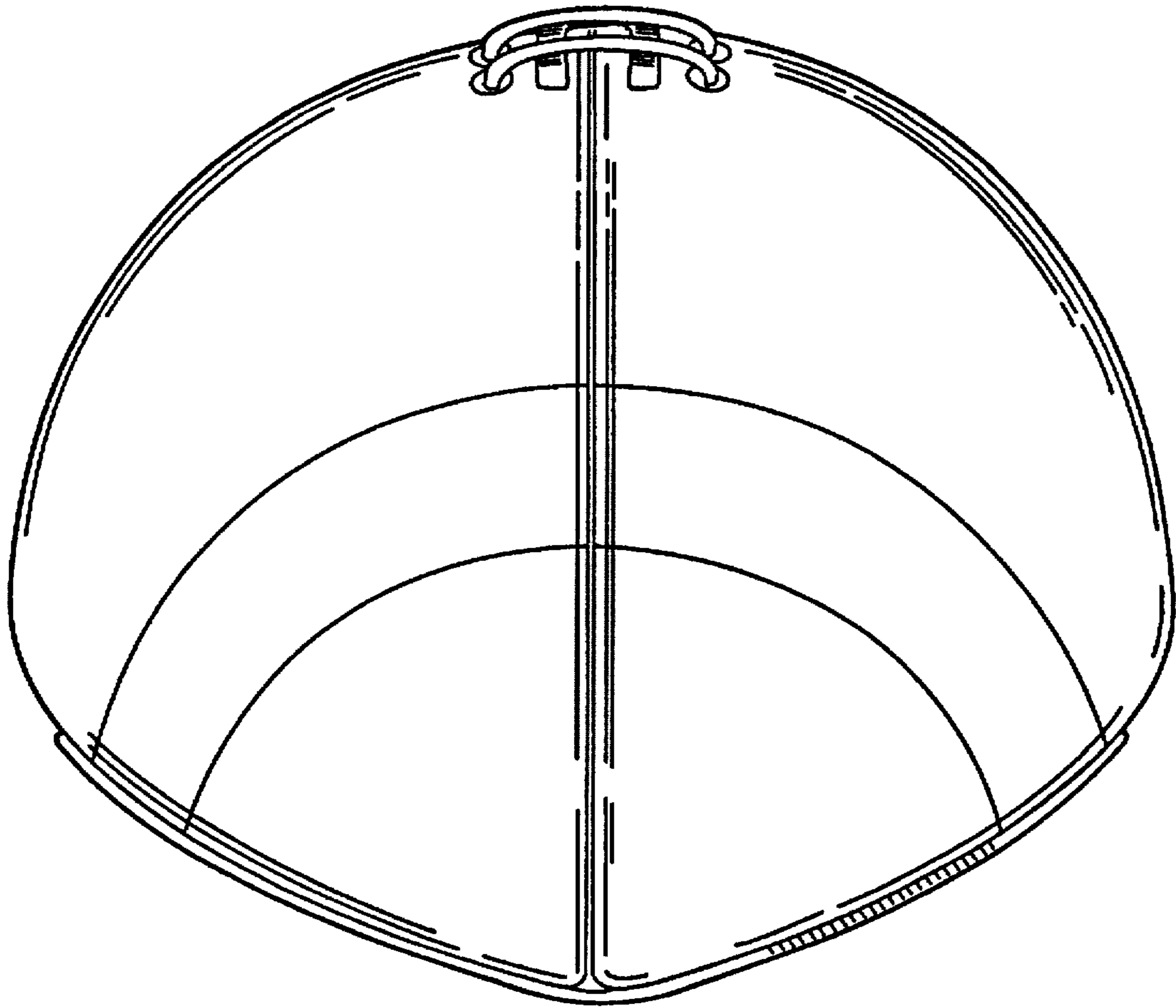


FIG. 4



*FIG.5*

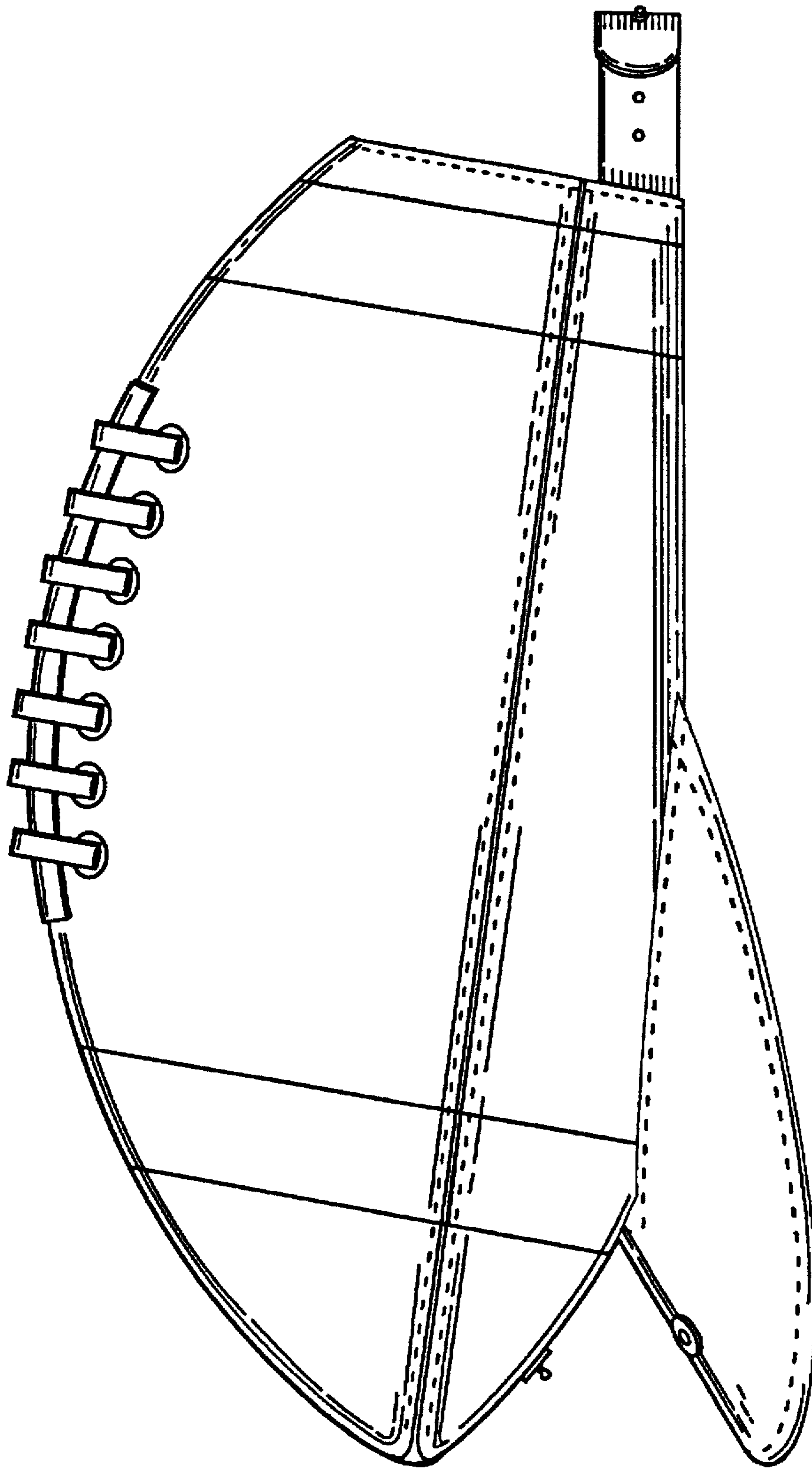
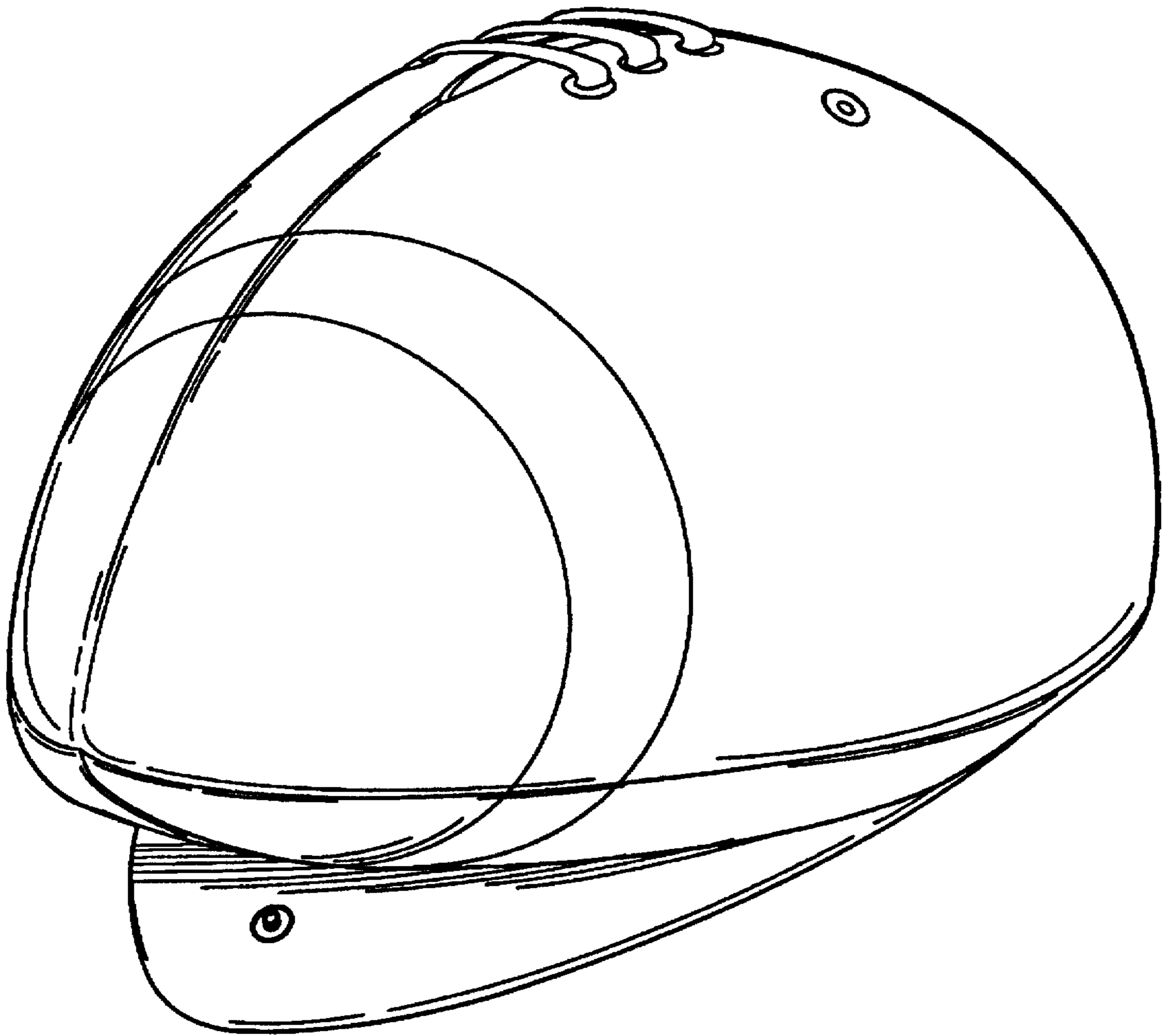


FIG. 6



*FIG. 7*