



US00D387532S

**United States Patent** [19]  
**Taylor**

[11] **Patent Number:** **Des. 387,532**

[45] **Date of Patent:** **\*\*Dec. 9, 1997**

[54] **TOP AND SIDES OF A CONTAINER COVER**

4,949,866 8/1990 Sanders ..... 220/908  
5,248,057 9/1993 Taylor .  
5,447,251 9/1995 Taylor .

[76] **Inventor:** **Craig V. Taylor, 8924 Enfield Ave., Northridge, Calif. 91325**

[\*\*] **Term:** **14 Years**

*Primary Examiner*—Alan P. Douglas  
*Assistant Examiner*—Robin V. Taylor  
*Attorney, Agent, or Firm*—Oppenheimer Poms Smith

[21] **Appl. No.:** **54,398**

[57] **CLAIM**

[22] **Filed:** **May 14, 1996**

The ornamental design for the top and sides of a container cover, as shown and described.

[51] **LOC (6) Cl.** ..... **09-09**

[52] **U.S. Cl.** ..... **D34/11**

[58] **Field of Search** ..... D34/1, 5-7, 10, D34/11; D9/434-436; 220/334, 335, 338, 340, 343, 352

**DESCRIPTION**

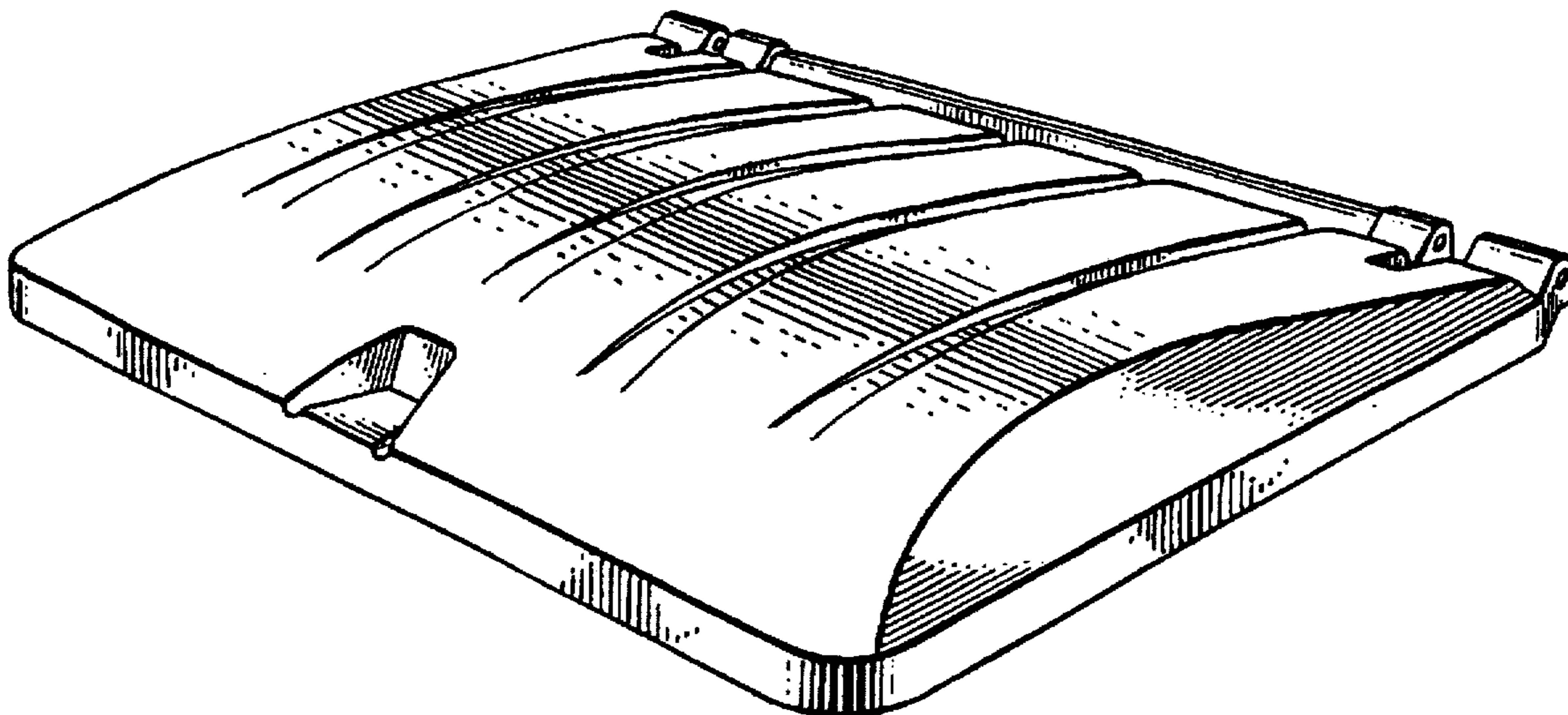
FIG. 1 is a front perspective view of the top and sides of a container cover showing my new design; FIG. 2 is an elevation view of the side not visible in FIG. 1; FIG. 3 is a rear perspective view thereof; FIG. 4 is a top view thereof; FIG. 5 is a front view thereof; and FIG. 6 is a rear view thereof; FIG. 7 is a front perspective view of a second embodiment thereof; FIG. 8 is an elevation view of the side not visible in FIG. 4; FIG. 9 is a rear perspective view thereof; FIG. 10 is a top view thereof; FIG. 11 is a front view thereof; and, FIG. 12 is a rear view thereof.

[56] **References Cited**

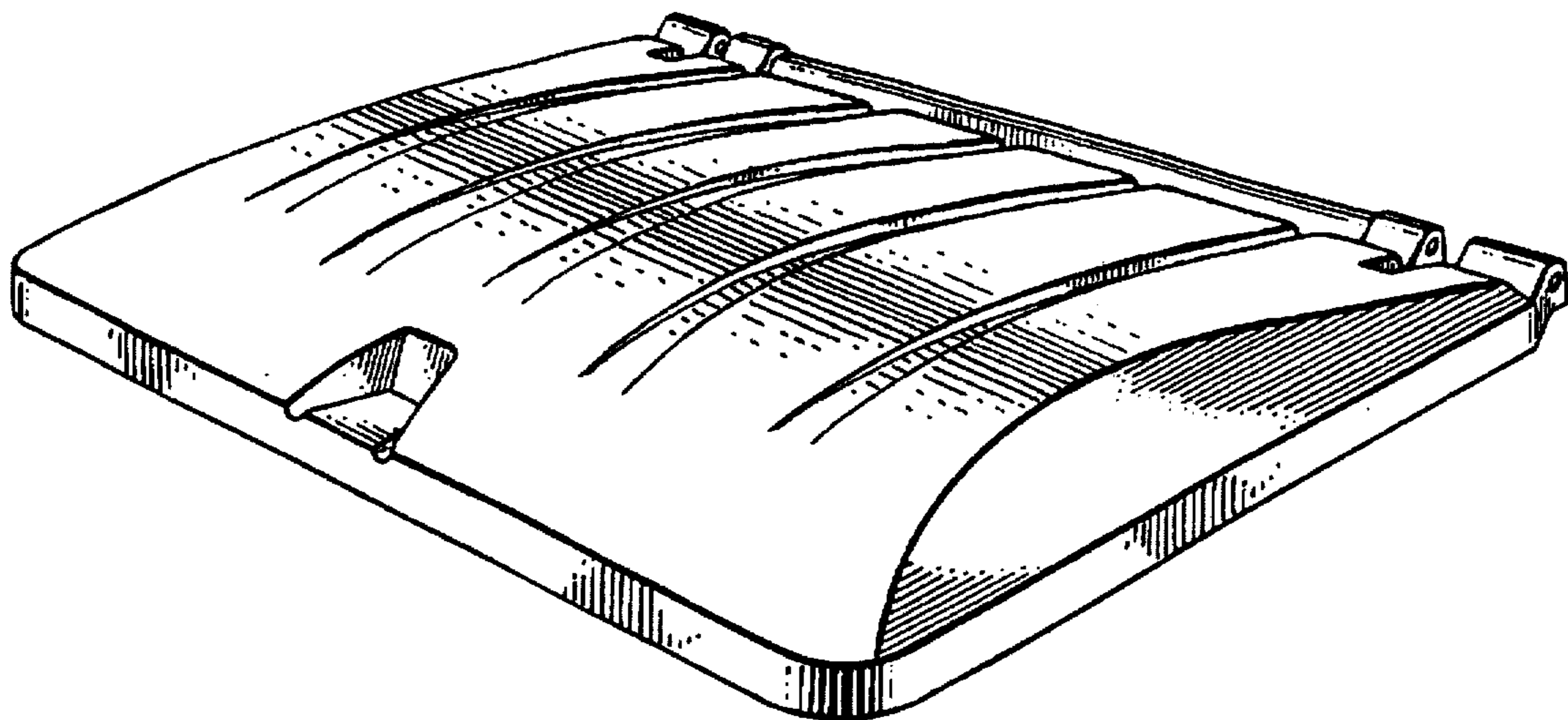
**U.S. PATENT DOCUMENTS**

D. 226,629	4/1973	Shannon et al. ....	D34/11
D. 293,268	12/1987	Dewing .....	D34/11
D. 302,884	8/1989	Poisat .....	D34/11
D. 304,633	11/1989	Taylor .	
D. 319,326	8/1991	Taylor .	
D. 326,943	6/1992	Taylor .	
D. 340,560	10/1993	Taylor .	
D. 362,325	9/1995	Taylor .	
D. 363,584	10/1995	Goodwin .....	D34/11
4,445,623	5/1984	Kolling et al. ....	220/343
4,771,940	9/1988	Taylor .	

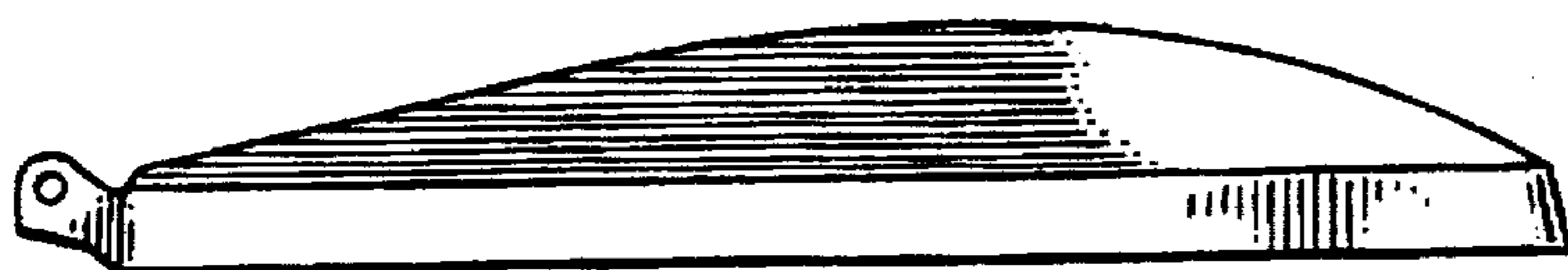
**1 Claim, 4 Drawing Sheets**



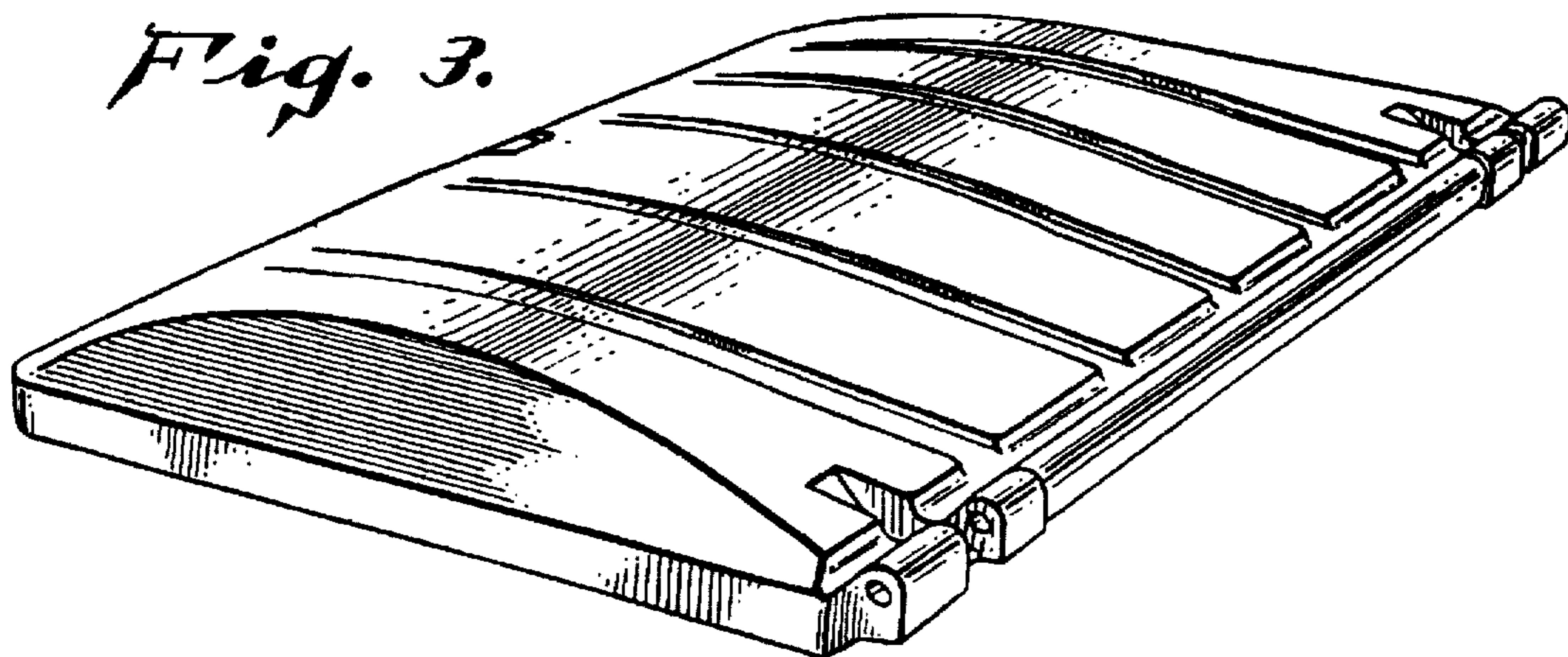
*Fig. 1.*



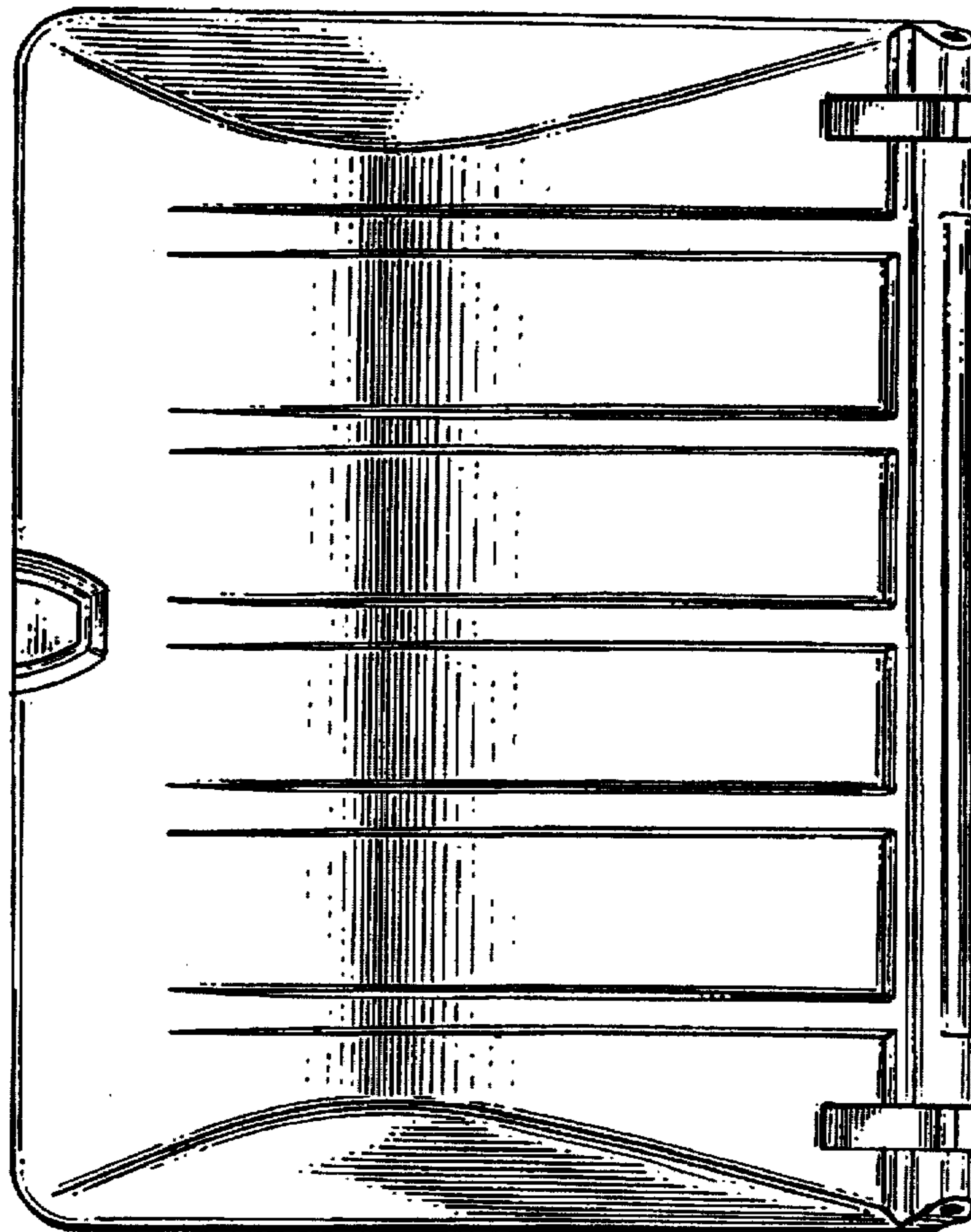
*Fig. 2.*



*Fig. 3.*



*Fig. 4.*



*Fig. 5.*

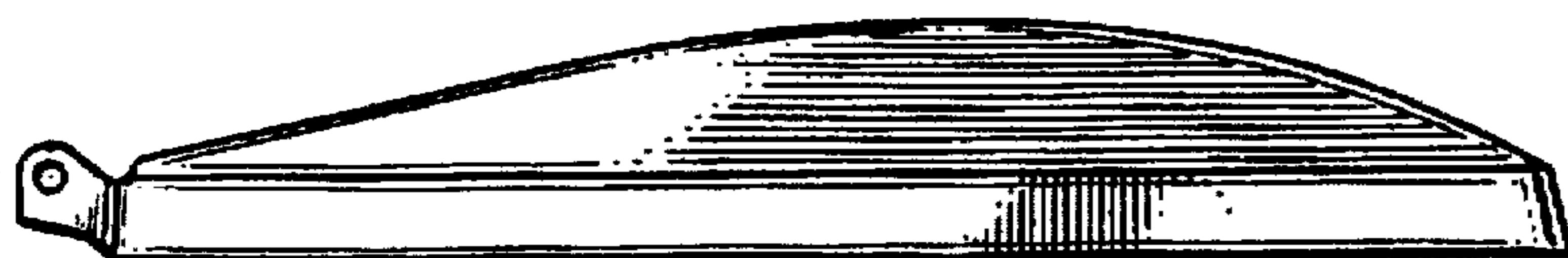
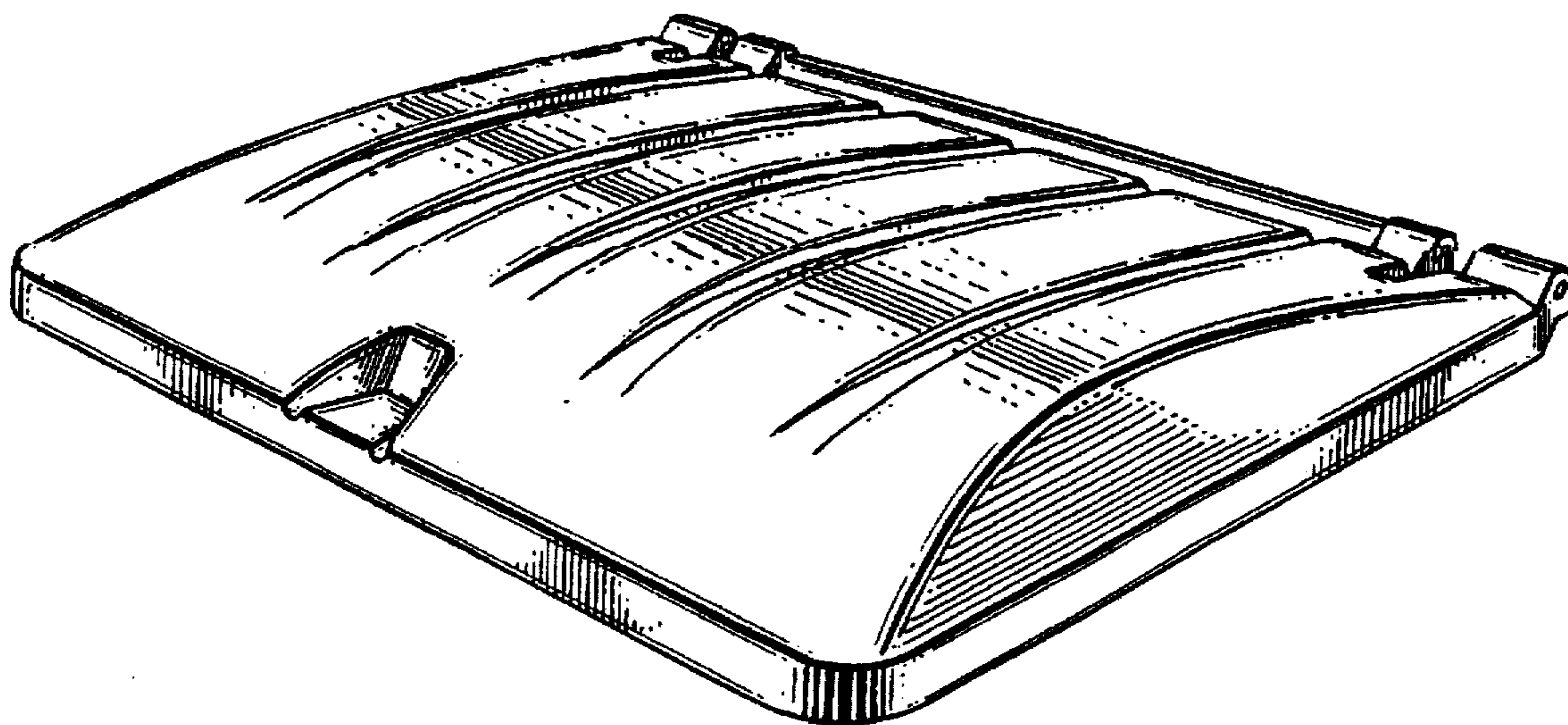


*Fig. 6.*



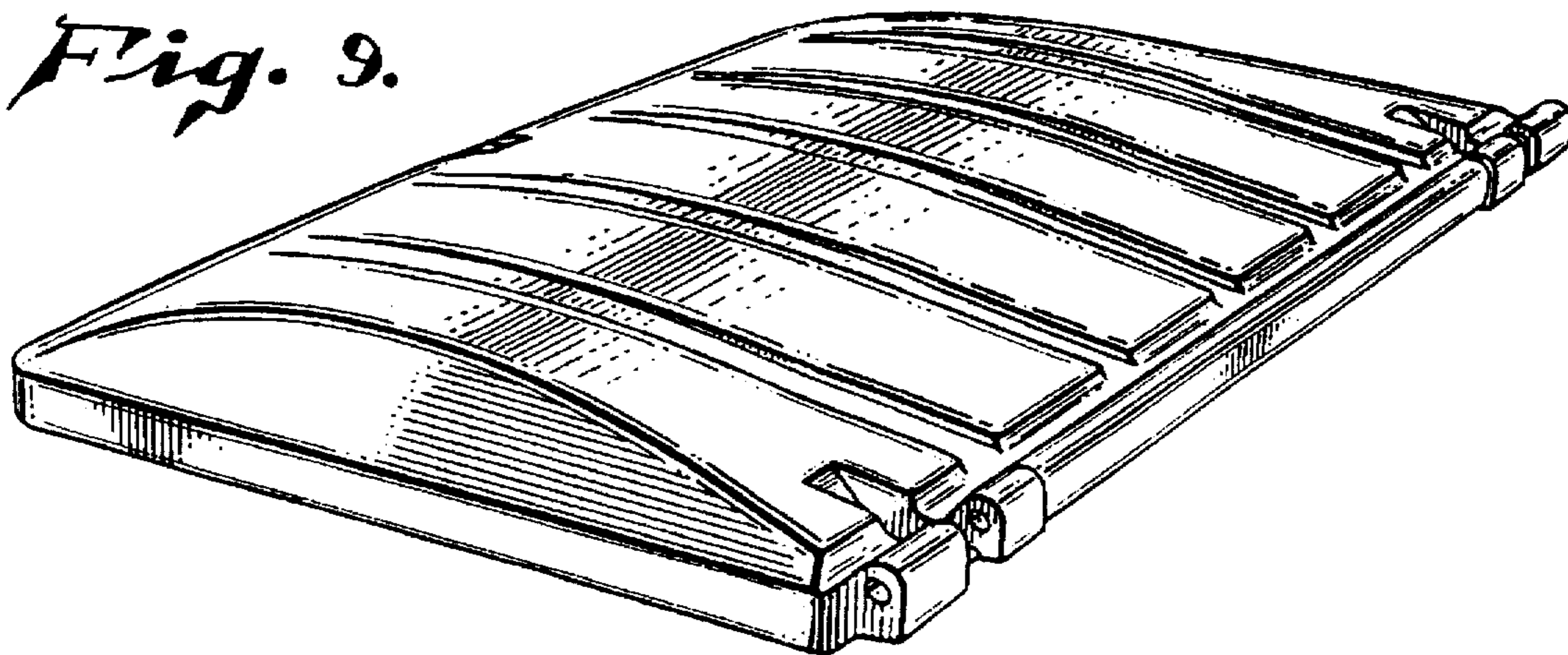


*Fig. 7.*

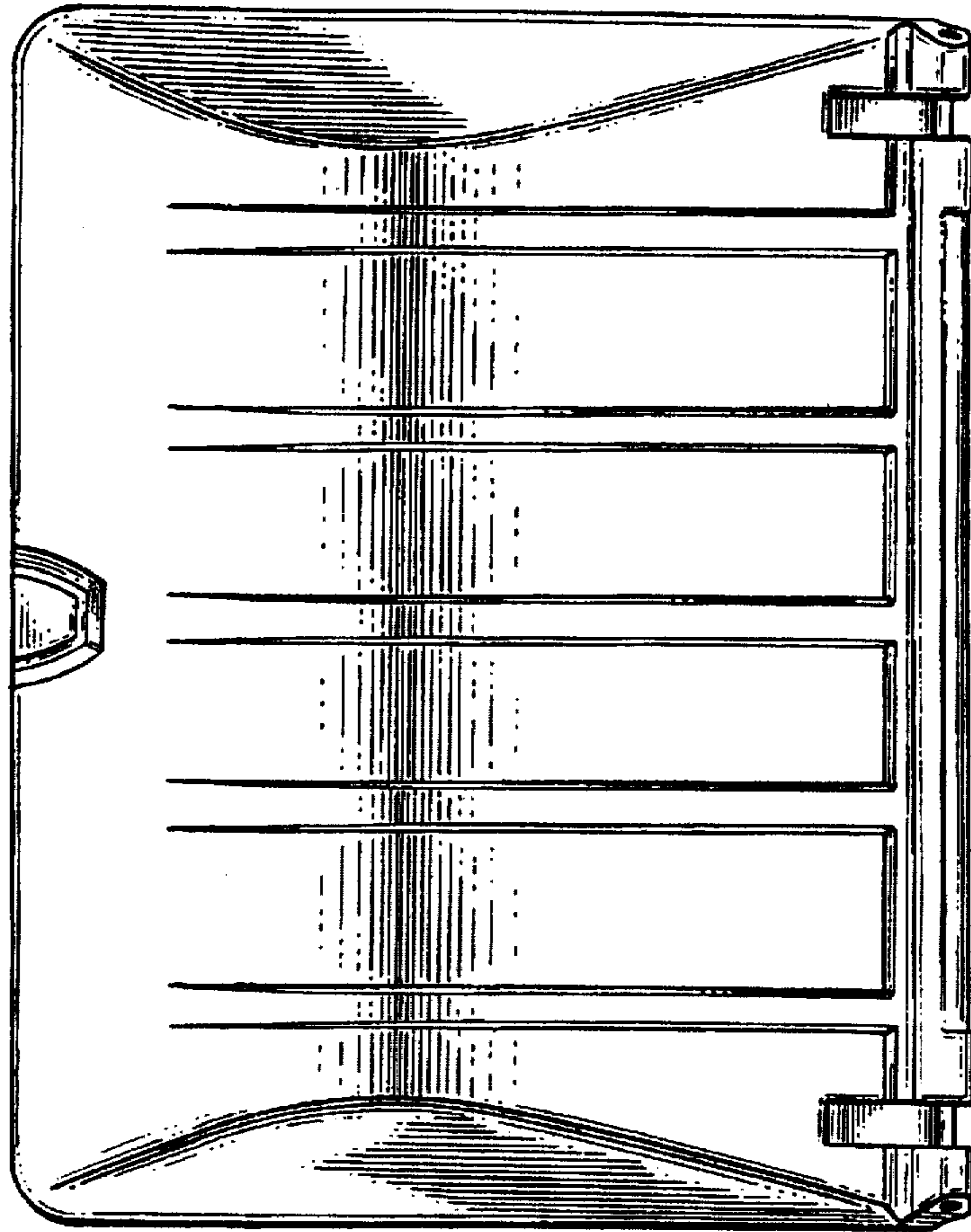


*Fig. 8.*

*Fig. 9.*



*Fig. 10.*



*Fig. 11.*



*Fig. 12.*

