



US00D387530S

United States Patent [19]

[11] Patent Number: **Des. 387,530**

Doxey

[45] Date of Patent: ****Dec. 9, 1997**

[54] RECEPTACLE CONTAINER

[75] Inventor: **Andre Doxey**, Beaverton, Oreg.
 [73] Assignee: **Rubbermaid Incorporated**, Wooster, Ohio
 [**] Term: **14 Years**

[21] Appl. No.: **53,646**

[22] Filed: **Apr. 26, 1996**

[51] LOC (6) CL **09-09**

[52] U.S. Cl. **D34/1**

[58] Field of Search **D34/1, 5-7; D32/36, D32/37; 220/908, 909, 910, 911; 232/43.2, 1 R**

[56] References Cited

U.S. PATENT DOCUMENTS

D. 186,194	9/1959	Beverlin	D34/1
D. 198,950	8/1964	Hollis	D58/17
D. 200,882	4/1965	Benjamin	D58/17
D. 233,127	10/1974	Karn	D7/194
D. 234,288	2/1975	Kay et al.	D7/191
D. 260,229	8/1981	Maza et al.	D7/189
D. 261,720	11/1981	Brazis	D34/9
D. 271,248	11/1983	Maza et al.	D34/8
D. 280,459	9/1985	McClelland	D34/8
D. 281,111	10/1985	McClelland	D34/8
D. 287,897	1/1987	Hanifi	D34/1
D. 292,638	11/1987	Carville	D34/5
D. 312,523	11/1990	Delmerico et al.	D34/7
D. 315,626	3/1991	Delmerico et al.	D34/5
D. 318,354	7/1991	Delmerico	D34/7
D. 321,576	11/1991	Hradisky	D34/8
D. 322,350	12/1991	Craft, Jr. et al.	D34/9
D. 323,912	2/1992	Delmerico	D34/5
D. 323,914	2/1992	Doxey et al.	D34/5
D. 324,594	3/1992	Tocci et al.	D34/1
D. 324,933	3/1992	Giacobe et al.	D34/7
D. 326,342	5/1992	Doxey et al.	D34/7
D. 326,343	5/1992	Hradisky	D34/7

(List continued on next page.)

OTHER PUBLICATIONS

Price list, Receptacle containers; Frem Corporation, 60 Webster Place, P. O. Box 4, Worcester, Massachusetts 01603-0004. Publication date May 1, 1991.
 Sell sheet, Tamor Plastics Corp., Leominster, Massachusetts 01453. Publication date Jan., 1992.
 Sell sheet, Receptacle container; Sterilite Corporation, P. O. Box 524, Townsend, Massachusetts 01469. Publication date Jan. 17, 1990.
 Sell sheet, Receptacle container; Sterilite Corporation, P. O. Box 524, Townsend, Massachusetts 01469. Publication date 1991.
 Price list, Receptacle containers; Contico Manufacturing Company, 1101 Warson Road, St. Louis, Missouri 63132. Publication date Aug. 1, 1986.
 P. 10, Receptacle containers; Contico Manufacturing Company, 1101 Warson Road, St. Louis, Missouri 63132. Published at least as early as Oct., 1994.
 Sell sheet, Receptacle container; Tucker Housewares, 25 Tucker Drive, Leominster, Massachusetts 01453. Published at least as early as Sep., 1994.

(List continued on next page.)

Primary Examiner—Alan P. Douglas
Assistant Examiner—Robin V. Taylor
Attorney, Agent, or Firm—Richard B. O'Planick; Lisa B. Riedesel

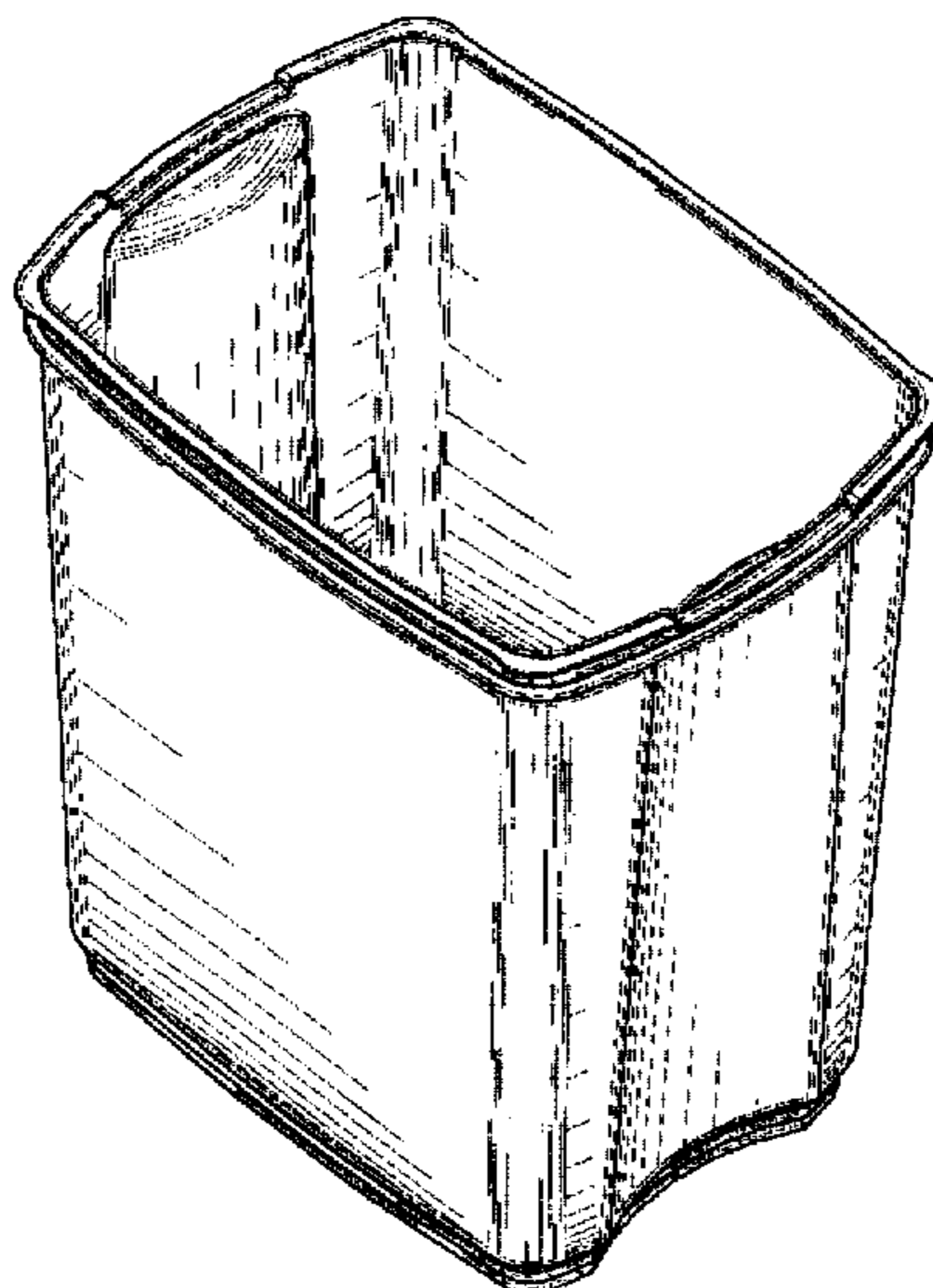
[57] CLAIM

The ornamental design for a receptacle container, as shown and described.

DESCRIPTION

FIG. 1 is a top right front perspective view of a receptacle container showing my new design;
 FIG. 2 is a front elevational view thereof; the rear elevational view being a mirror image;
 FIG. 3 is a right side elevational view thereof, the left side elevational view being a mirror image; and,
 FIG. 4 is a top plan view thereof.

1 Claim, 4 Drawing Sheets



U.S. PATENT DOCUMENTS

D. 326,754	6/1992	Hradisky	D34/7
D. 327,555	6/1992	Juergens	D34/1
D. 327,756	7/1992	Klein et al.	D34/1
D. 329,930	9/1992	Delmerico et al.	D34/7
D. 332,852	1/1993	Delmerico	D34/9
D. 333,196	2/1993	Dzierski	D34/1
D. 333,369	2/1993	Breen et al.	D34/10
D. 333,716	3/1993	Bird et al.	D34/8
D. 335,562	5/1993	Evans	D34/7
D. 336,701	6/1993	Waterston	D34/1
D. 342,817	12/1993	Lippisch et al.	D34/7
D. 355,514	2/1995	Breen	D34/1
D. 355,739	2/1995	Bird et al.	D34/1
D. 355,741	2/1995	Craft et al.	D34/5
D. 355,744	2/1995	Licari	D34/7
D. 357,779	4/1995	Breen	D34/1
D. 358,326	5/1995	Tomasello	D9/424
D. 358,327	5/1995	Tomasello	D9/424
D. 362,525	9/1995	Kruger	D34/1
D. 364,256	11/1995	Breen et al.	D34/10
D. 365,427	12/1995	Brightbill et al.	D34/1
4,576,310	3/1986	Isgar et al.	220/908
4,664,347	5/1987	Brown et al.	248/97
4,753,367	6/1988	Miller et al.	220/404
4,785,964	11/1988	Miller et al.	220/263
4,907,710	3/1990	Bulkens	220/1
4,953,740	9/1990	Koda	220/908
4,972,966	11/1990	Craft	220/264
5,129,535	7/1992	Hradisky	220/23.4
5,181,297	1/1993	Andrews et al.	24/336
5,388,717	2/1995	LeVasseur	220/404

OTHER PUBLICATIONS

Pp. 4, 5, 6 and 7, Receptacle containers; Tucker Housewares, 25 Tucker Drive, Leominster, Massachusetts 01453. Published at least as early as Aug., 1994.

Catalog page, Receptacle container; Schlosser & Co. GmbH, Industriestr 22, 8062 Markt Indersdorf. Published at least as early as Dec., 1995.

P. 5, Receptacle containers; Curver, Takkebijsters 75, Postbus 6810, 4802 HV Breda, Netherlands. Publication date 1991.

P. 8, Receptacle containers; Rubbermaid Japan Inc., 136 Sakuragi, Mizuhashi, Tozama 939-05, Japan. Published at least as early as Apr., 1995.

P. 67, Receptacle containers; Iwasaki Industry Inc., No. 26 Showa Kogyo Danchi, 1216-5, Nukatabe Kita-machi, Yamato-Koriyama, Nara, 639-11, Japan. Publication date 1990-91.

P. 6, Receptacle containers; Dupol-Rubbermaid GmbH, An der Trift 63, D-6072 Dreieich, Germany. Publication date 1989.

Pp. 6 and 13, Receptacle containers; Rubbermaid Commercial Products Inc., 3124 Valey Avenue, Winchester, Virginia 22601. Publication date 1992.

Catalog page; Receptacle containers; Rubbermaid Incorporated, 1147 Akron Road, Wooster, Ohio 44691. Publication date 1980.

Catalog page; Receptacle containers; Rubbermaid Incorporated, 1147 Akron Road, Wooster, Ohio 44691. Publication date 1993.

Catalog page; Receptacle containers; Rubbermaid Incorporated, 1147 Akron Road, Wooster, Ohio 44691. Publication date 1991.

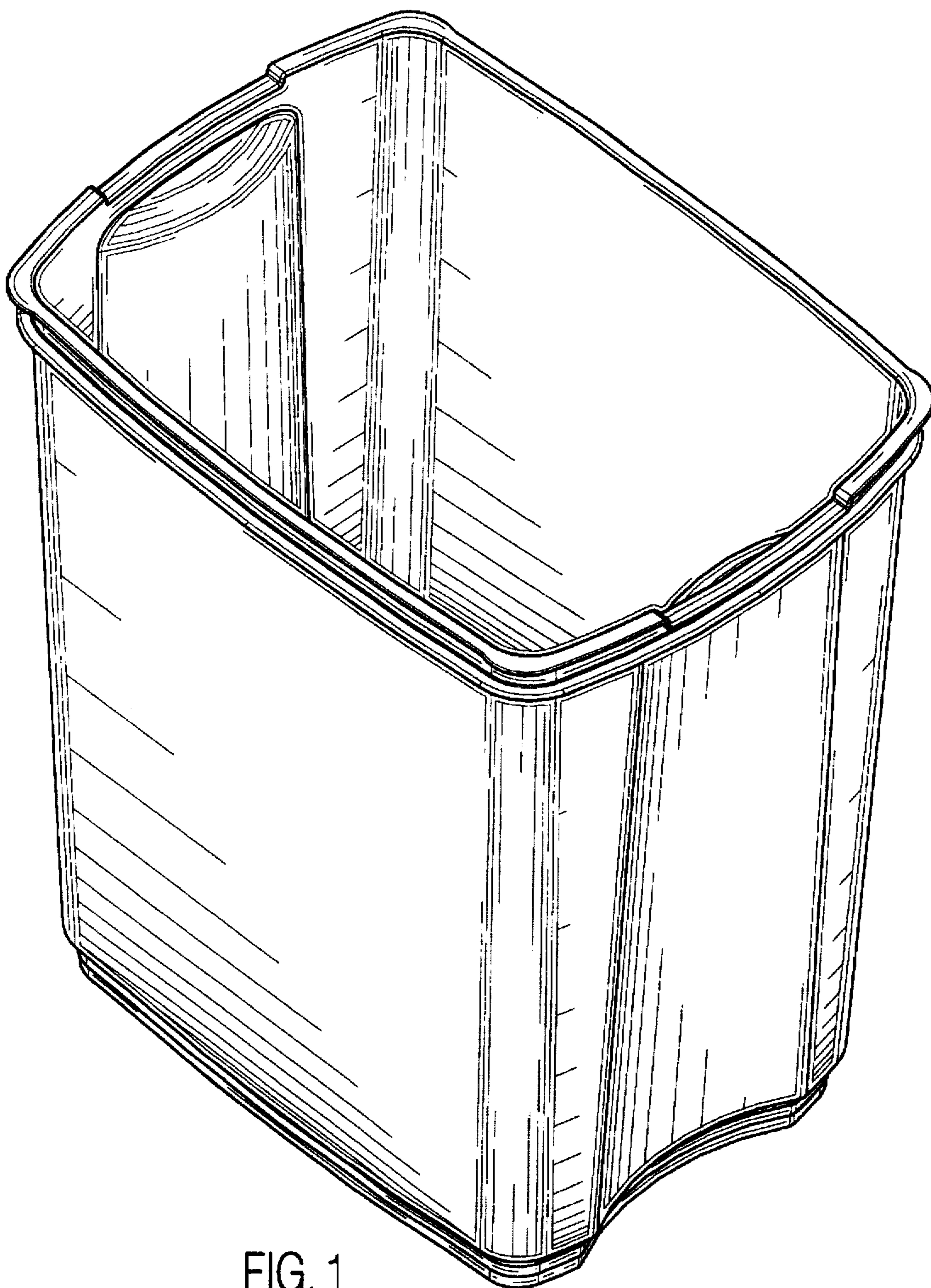


FIG. 1

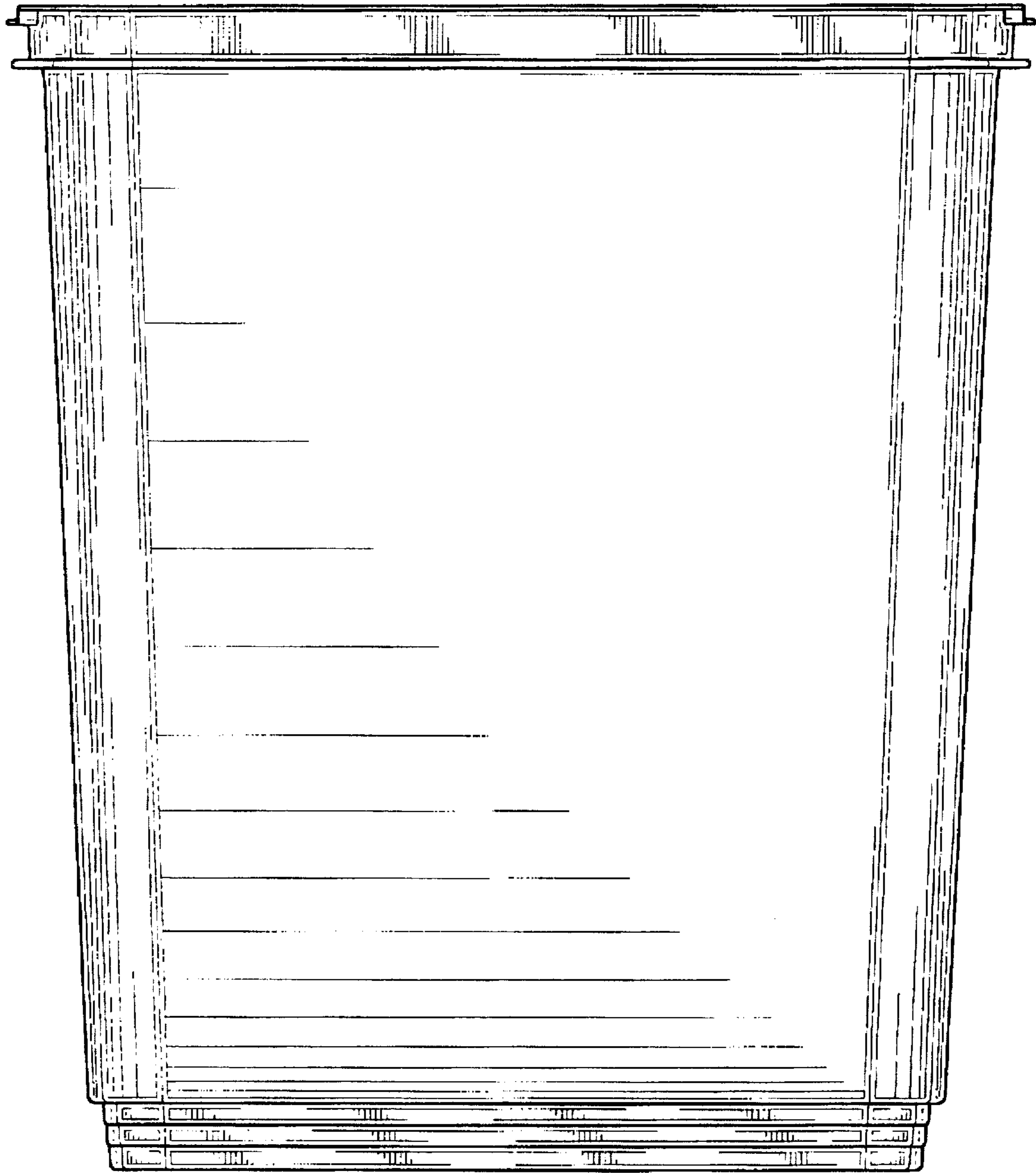


FIG. 2

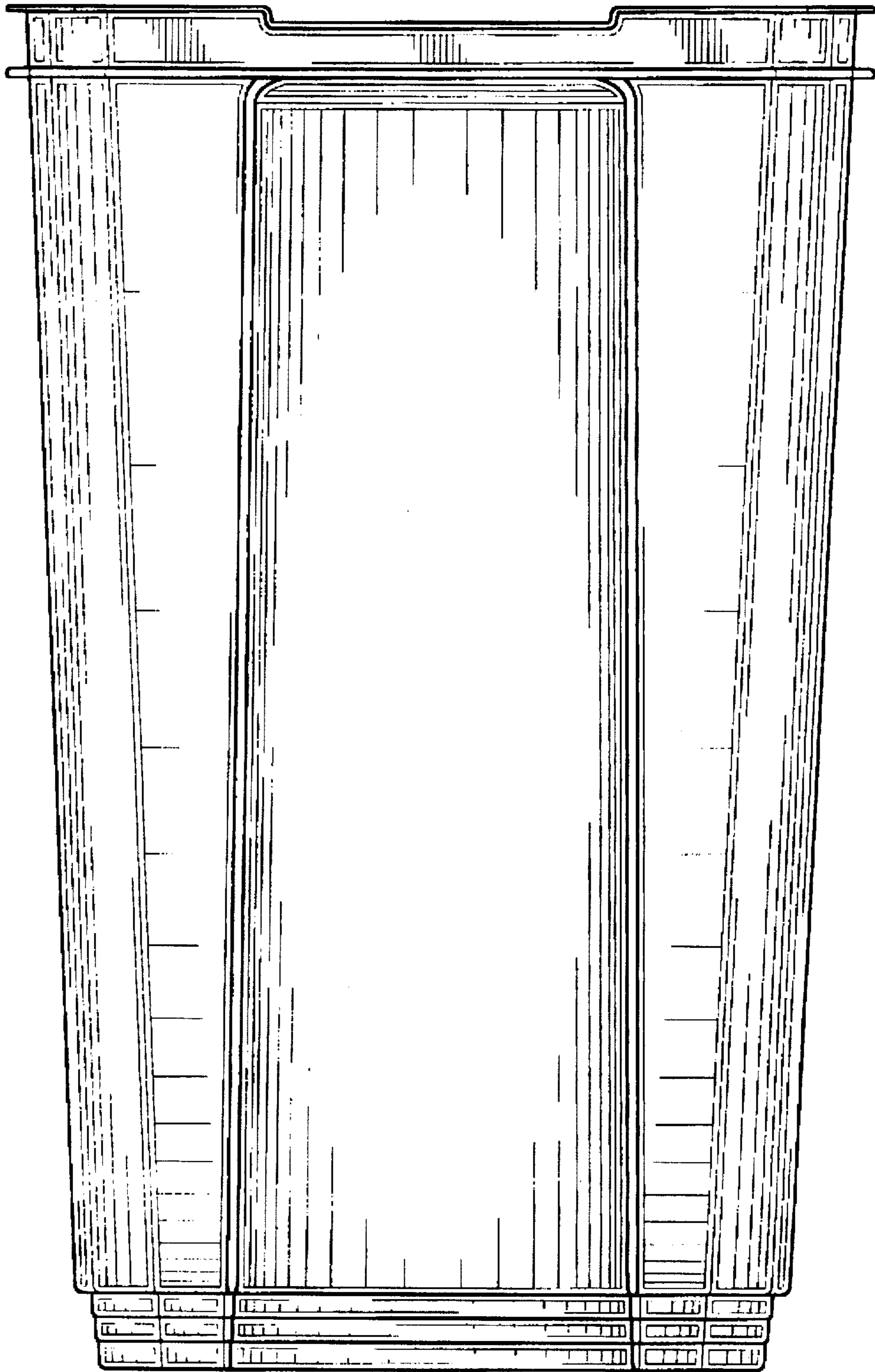


FIG. 3

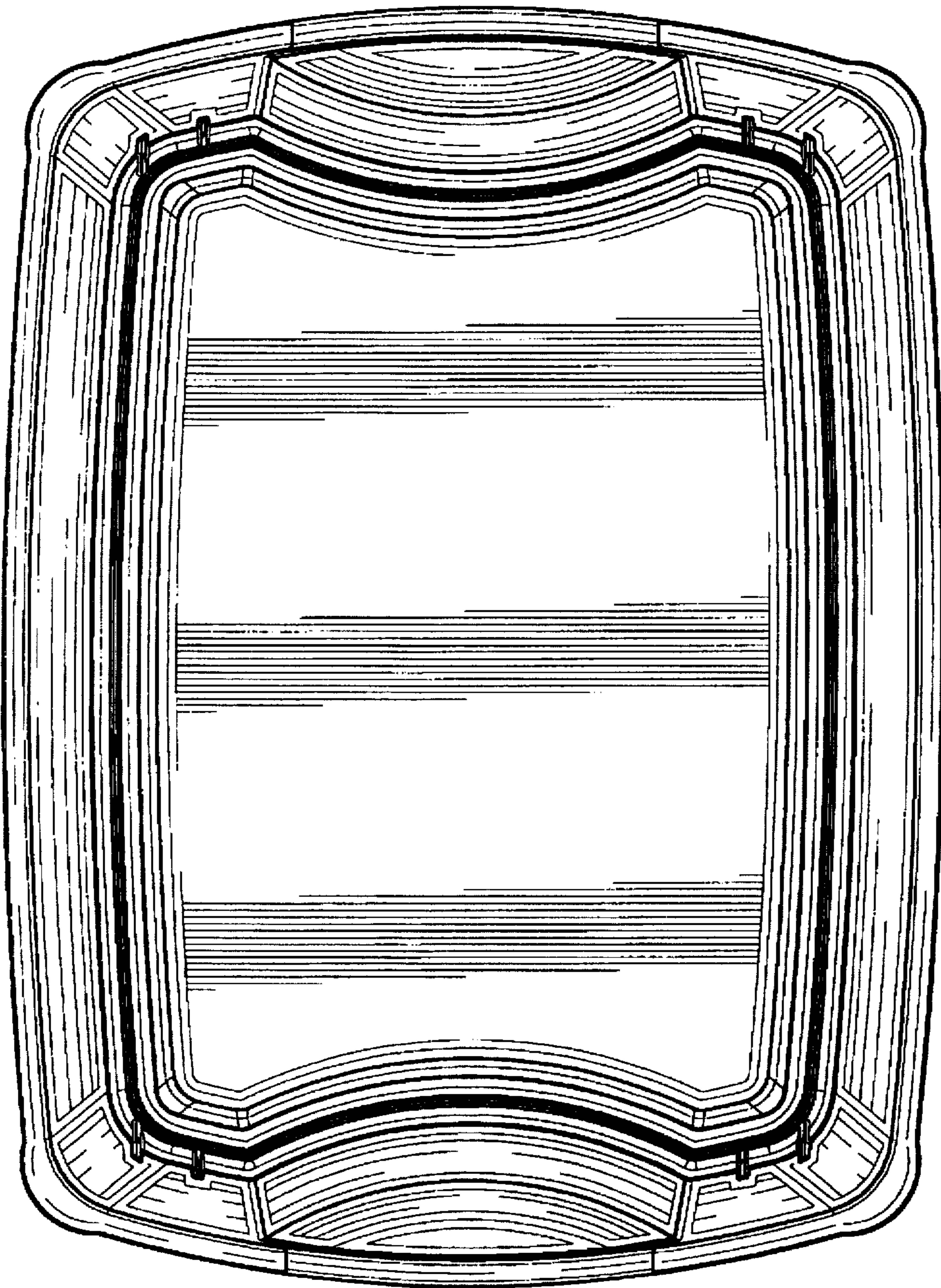


FIG. 4