



US00D387528S

# United States Patent [19]

[11] Patent Number: **Des. 387,528**

Wong

[45] Date of Patent: **\*\*Dec. 9, 1997**

[54] **AUTOMATIC WASHING LINE**

2,615,582	10/1952	Moe .....	D32/60
5,027,958	7/1991	Agardi .....	211/119.1
5,147,078	9/1992	Flieder .....	211/119.1

[76] Inventor: **Yan Kwong Wong**, Unit 17 10/F Metro Centre 11 21 Lam Hing Street Kowloon Bay, Kowloon, Hong Kong

[\*\*] Term: **14 Years**

*Primary Examiner*—Alan P. Douglas  
*Assistant Examiner*—Robin V. Taylor  
*Attorney, Agent, or Firm*—Salter & Michaelson

[21] Appl. No.: **52,986**

[57] **CLAIM**

[22] Filed: **Apr. 12, 1996**

The ornamental design for an automatic washing line, as shown and described.

[51] LOC (6) Cl. .... **07-05**

**DESCRIPTION**

[52] U.S. Cl. .... **D32/60**

[58] Field of Search ..... D32/60; 254/389; 248/353; 211/119.01, 119.03, 119.1, 119.13

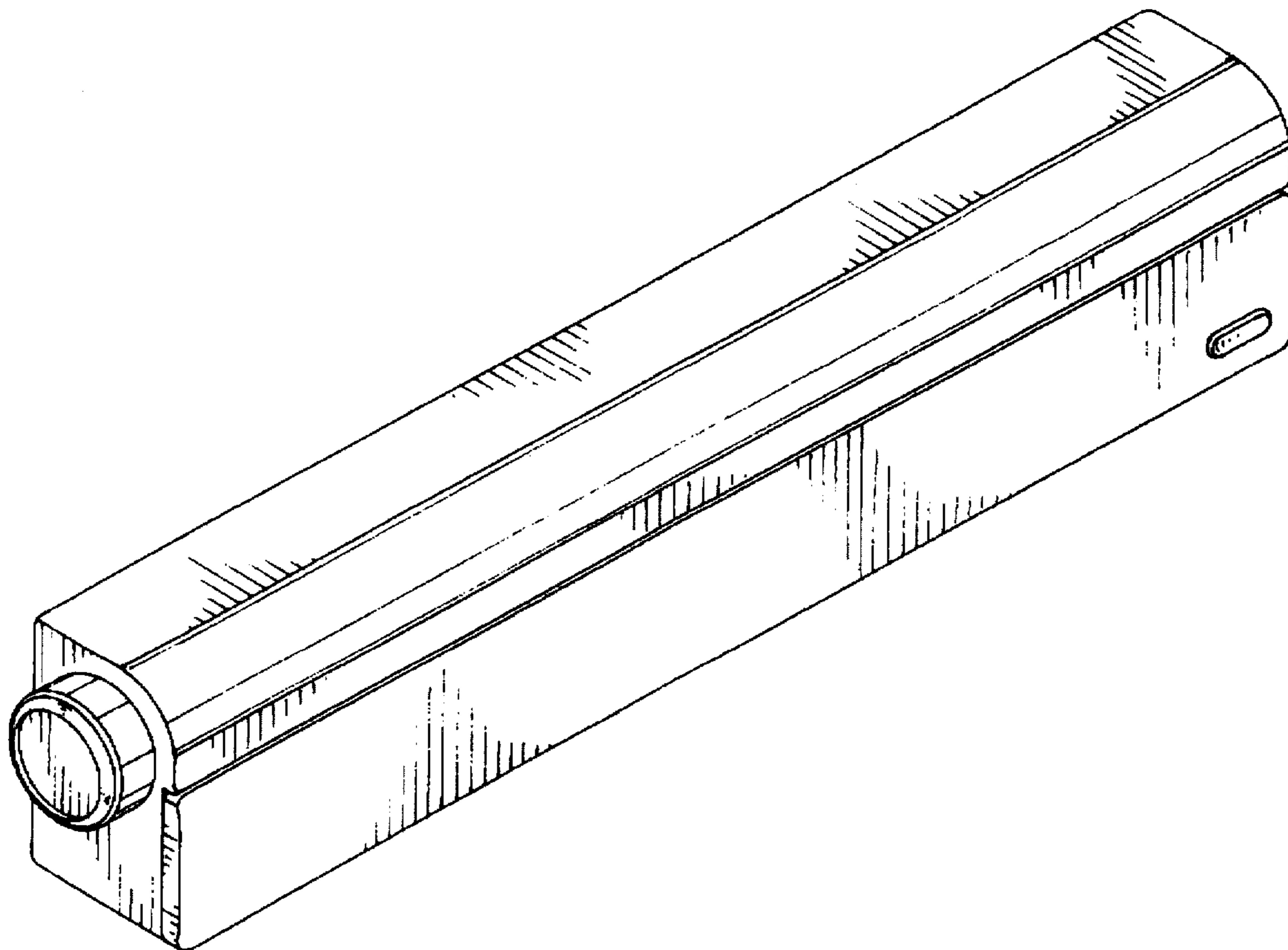
FIG. 1 is a perspective view of an automatic washing line showing my new design;  
FIG. 2 is a left side elevational view thereof;  
FIG. 3 is a right side elevational view thereof;  
FIG. 4 is a front elevational view thereof;  
FIG. 5 is a rear elevational view thereof;  
FIG. 6 is a top plan view thereof; and,  
FIG. 7 is a bottom plan view thereof.

[56] **References Cited**

**U.S. PATENT DOCUMENTS**

D. 196,066	8/1963	Hesener et al. ....	D32/60
D. 200,728	3/1965	Spielman .....	D32/58
D. 219,166	11/1970	Olsen .....	D32/60
D. 238,410	1/1976	Hermann .....	D32/58

**1 Claim, 2 Drawing Sheets**



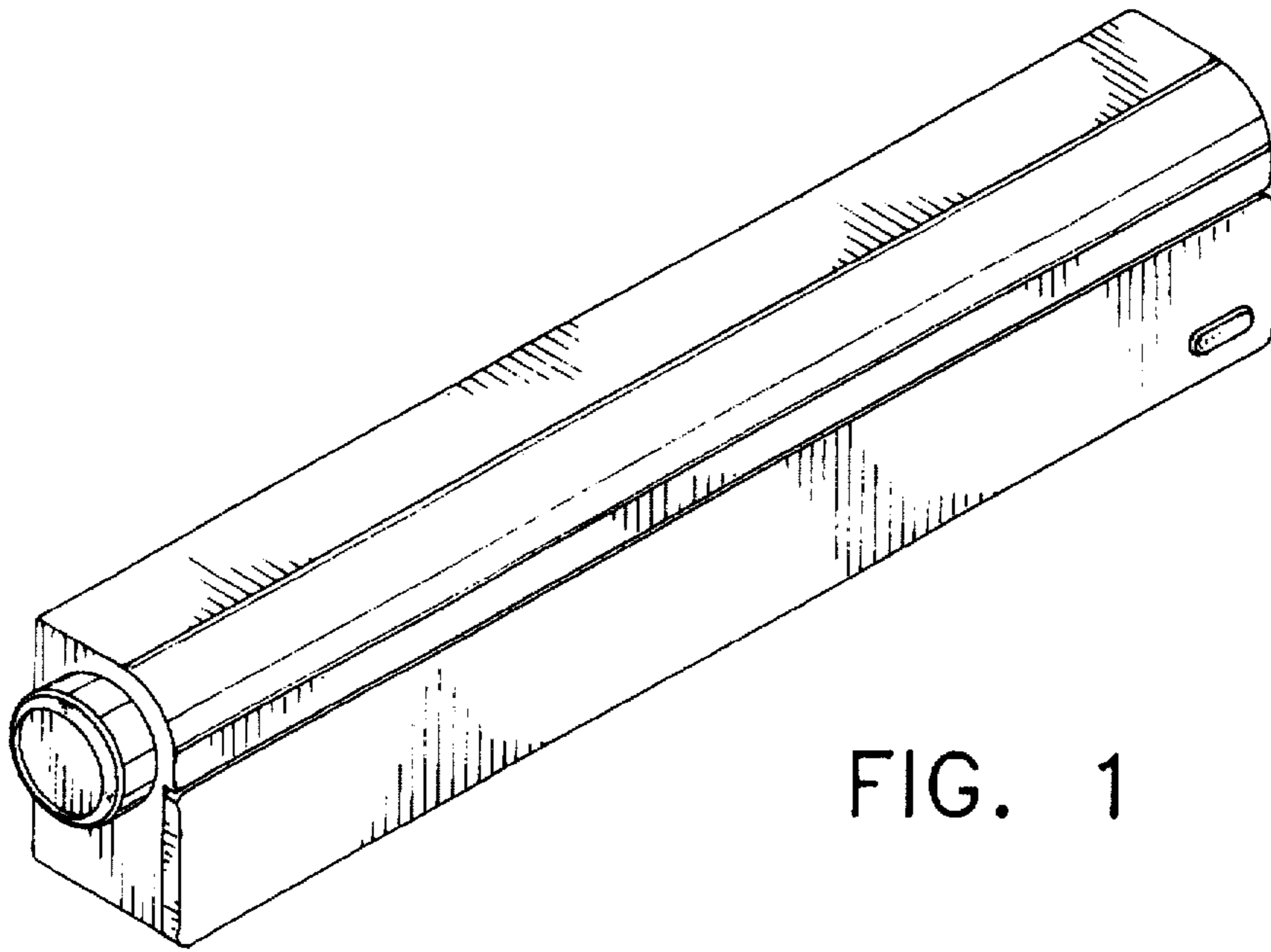


FIG. 1

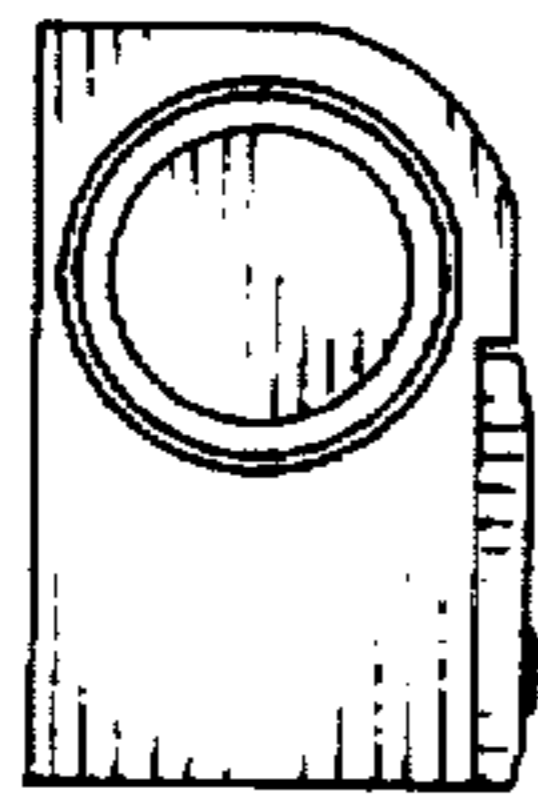


FIG. 2

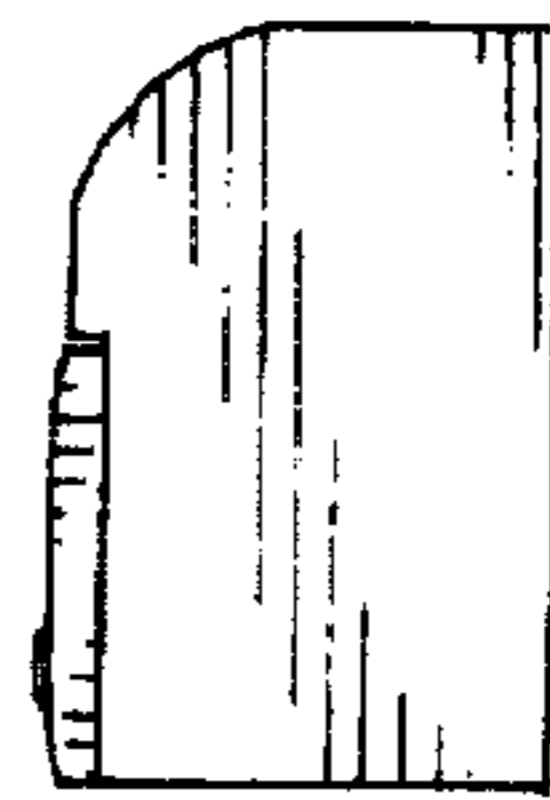


FIG. 3

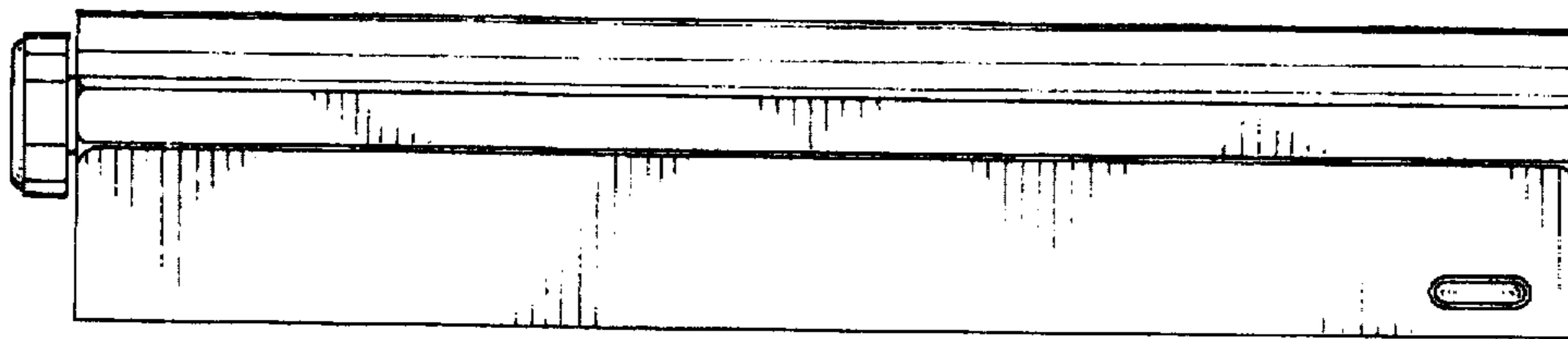


FIG. 4

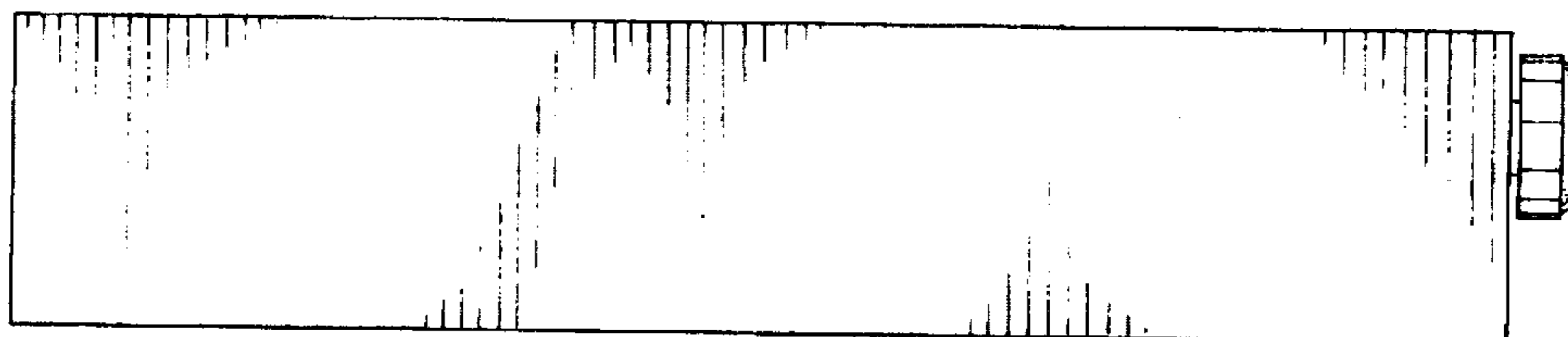


FIG. 5

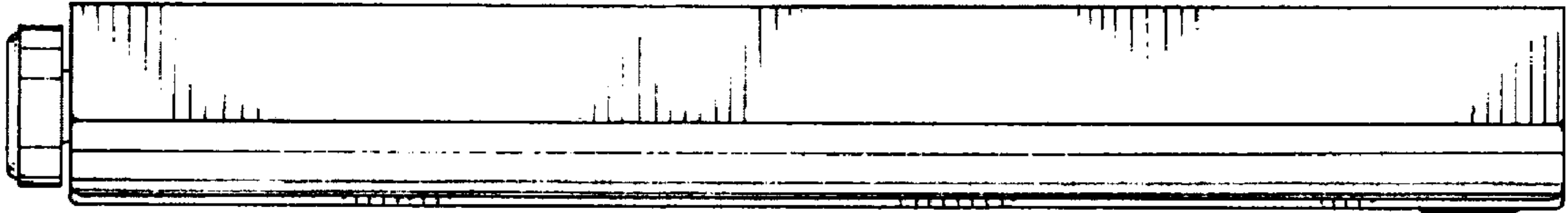


FIG. 6

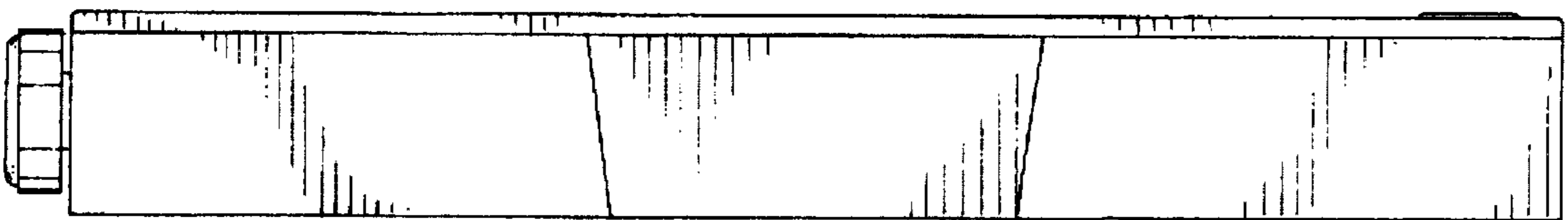


FIG. 7