



US00D387514S

United States Patent [19] Savicki

[11] Patent Number: **Des. 387,514**

[45] Date of Patent: ****Dec. 9, 1997**

[54] **LITTER SCOOP**

[75] Inventor: **Alan F. Savicki, South Windsor, Conn.**

[73] Assignee: **First Brands Corporation, Danbury, Conn.**

[**] Term: **14 Years**

[21] Appl. No.: **58,613**

[22] Filed: **Aug. 13, 1996**

[51] LOC (6) Cl. **30-99**

[52] U.S. Cl. **D30/162; D7/692; D8/10**

[58] Field of Search 209/417, 418,
209/419; 294/49, 55, 1.3, 1.4, 1.5; D30/162;
D7/691, 692; D8/10

[56] **References Cited**

U.S. PATENT DOCUMENTS

219,868	9/1879	McIntire	209/418
D. 255,951	7/1980	Halls et al.	294/1.3
D. 256,173	7/1980	Rigney	D30/162
D. 314,254	1/1991	Gordon	D30/162
316,623	4/1885	Hooper	D30/162
D. 332,675	1/1993	Simon	D30/162
D. 347,497	5/1994	VanSkiver	D30/162
D. 360,714	7/1995	Halls et al.	D30/162
448,393	3/1891	Wells et al.	209/419

1,434,240	10/1922	Wisoff	209/419
3,976,564	8/1976	Holder	294/55
5,092,050	3/1992	Bardeen	D8/10
5,107,666	4/1992	Rahican	294/55
5,580,111	12/1996	Bohn	294/1.3

FOREIGN PATENT DOCUMENTS

430243	5/1911	France	294/55
20548	of 1902	United Kingdom	294/55

Primary Examiner—Cathy Anne MacCormac
Attorney, Agent, or Firm—Gary L. Wamer, Esq.

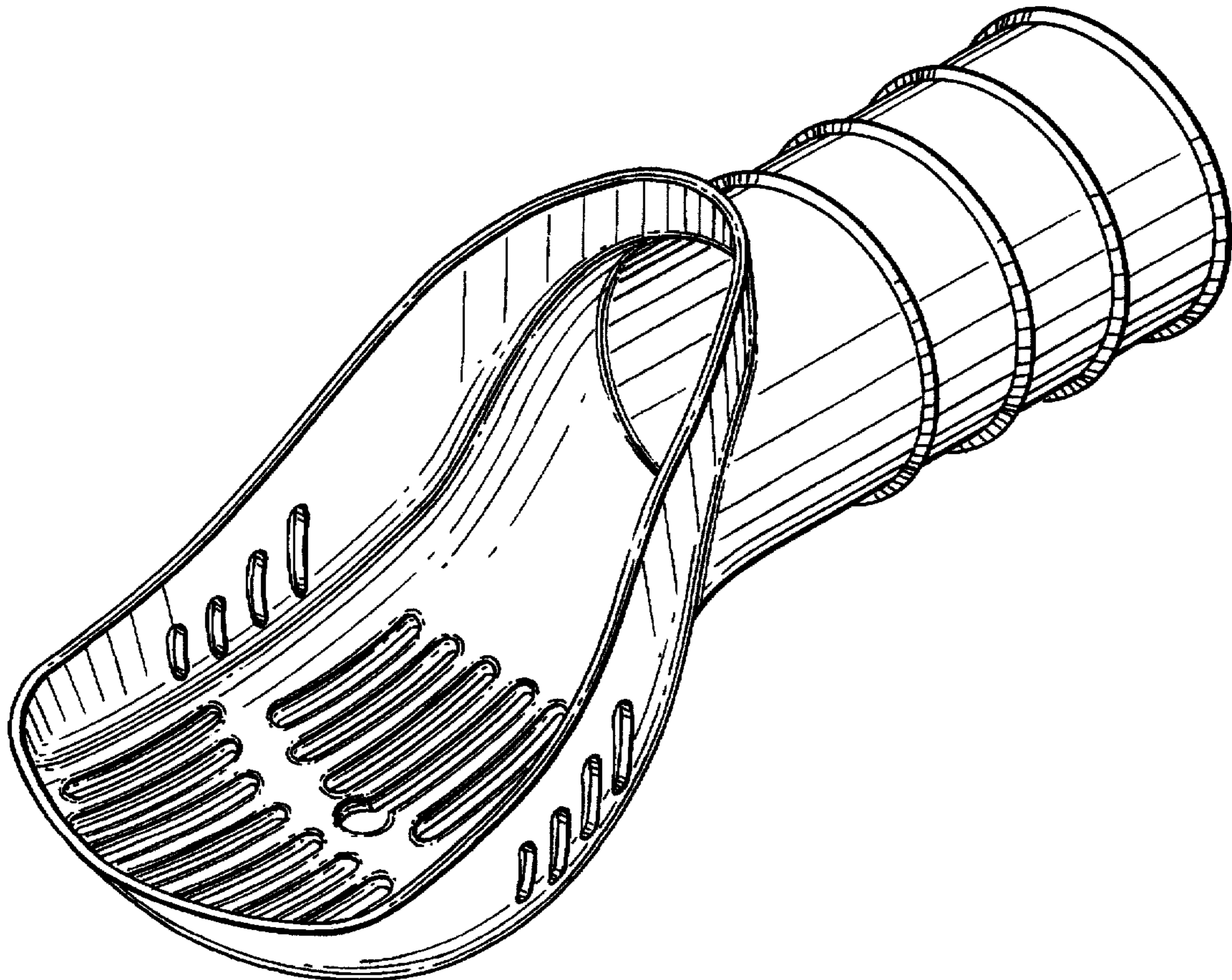
[57] **CLAIM**

The ornamental design for a litter scoop, as shown and described.

DESCRIPTION

FIG. 1 is a perspective view of a litter scoop showing my new design;
FIG. 2 is a top plan view thereof;
FIG. 3 is a side elevational view thereof;
FIG. 4 is a bottom plan view;
FIG. 5 is a front elevational view thereof;
FIG. 6 is a rear end elevational view thereof; and,
FIG. 7 is a cross sectional view taken along line 7—7 of FIG. 1.

1 Claim, 4 Drawing Sheets



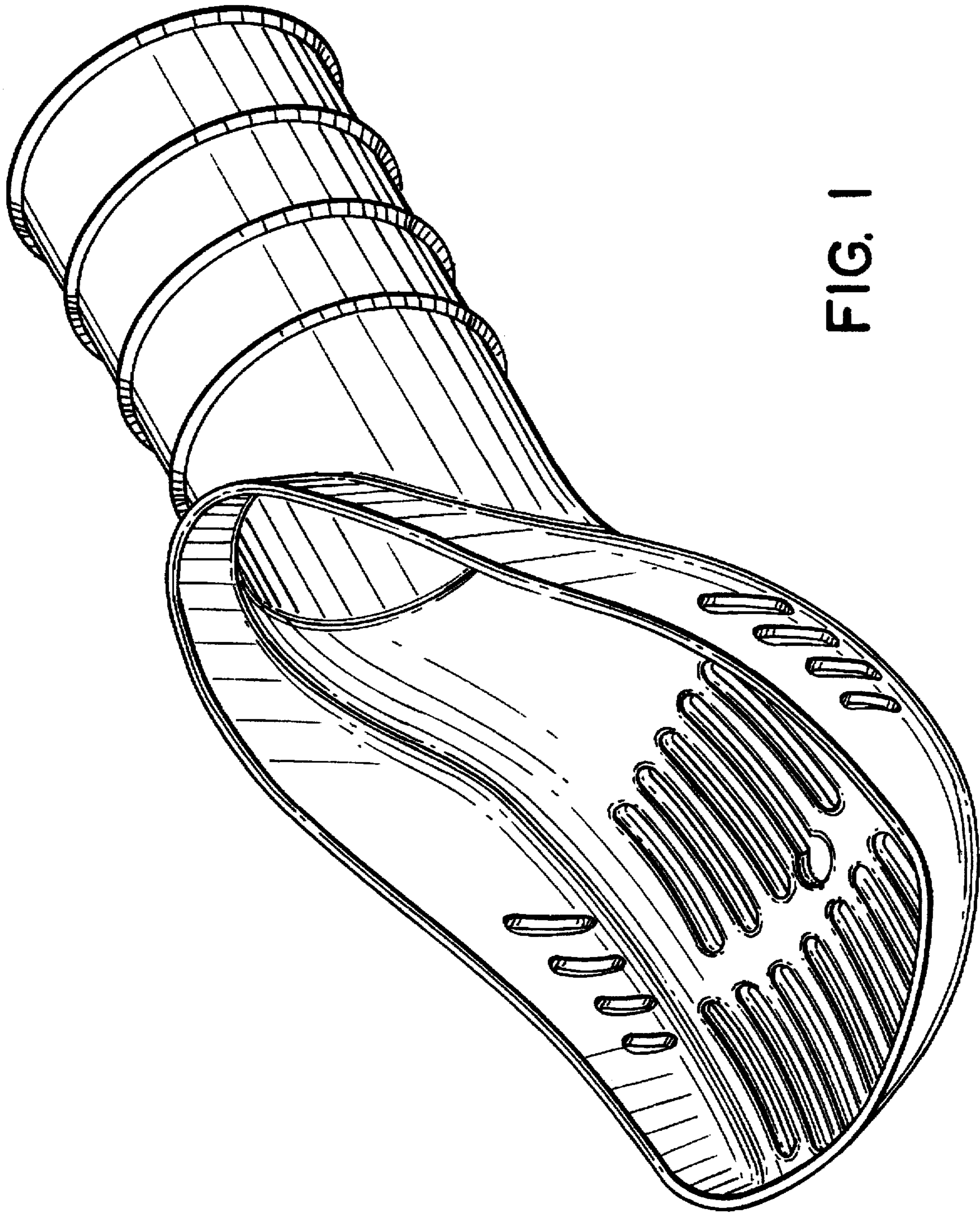


FIG. 1

FIG. 2

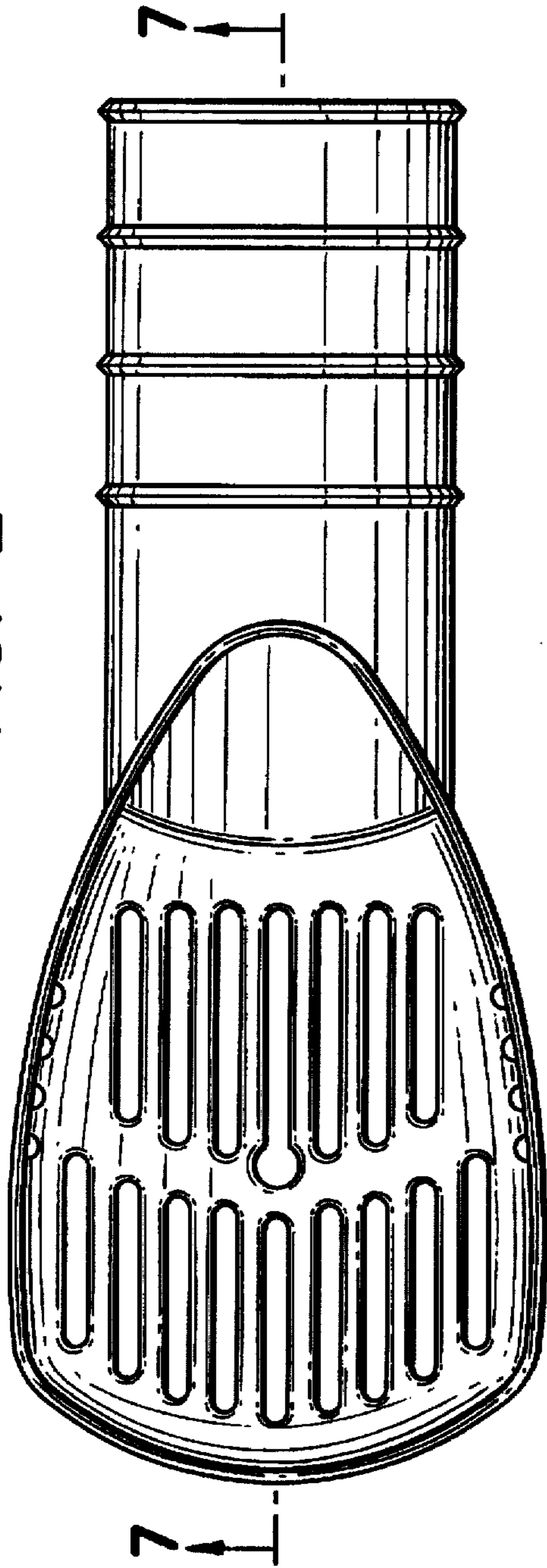
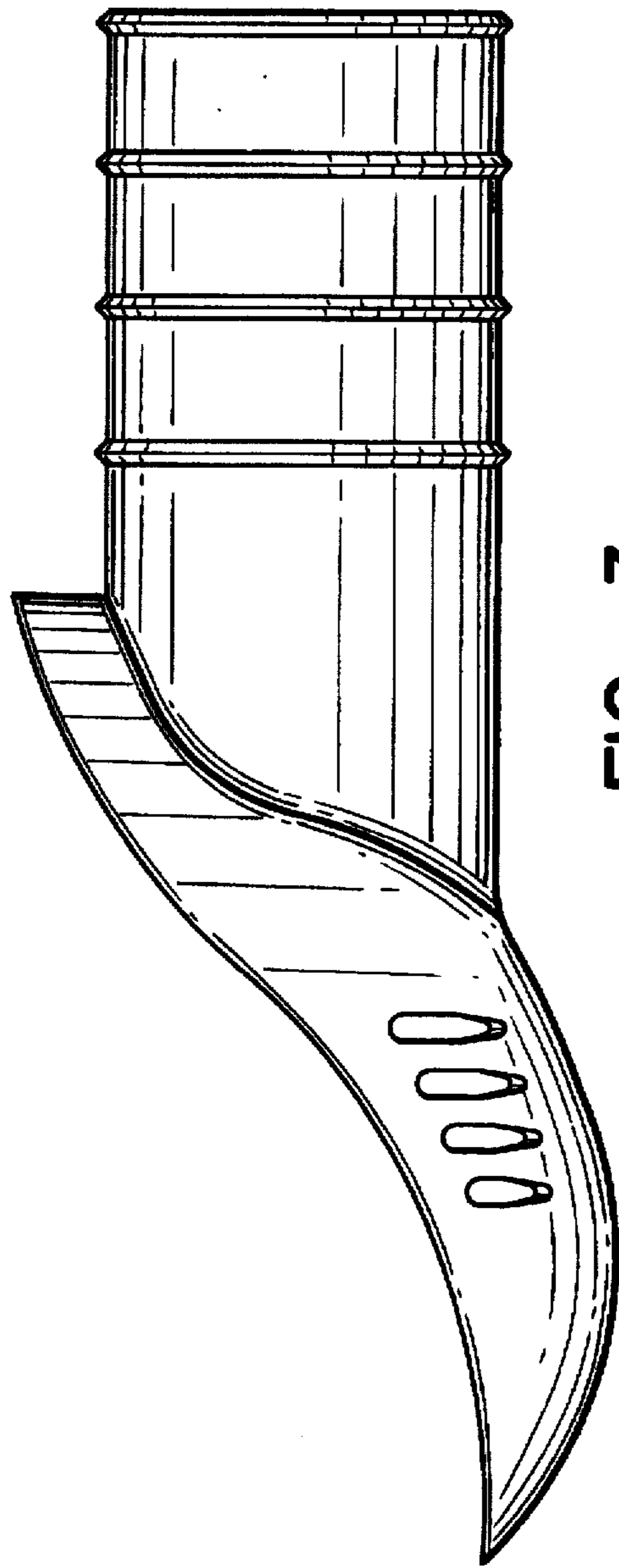


FIG. 3



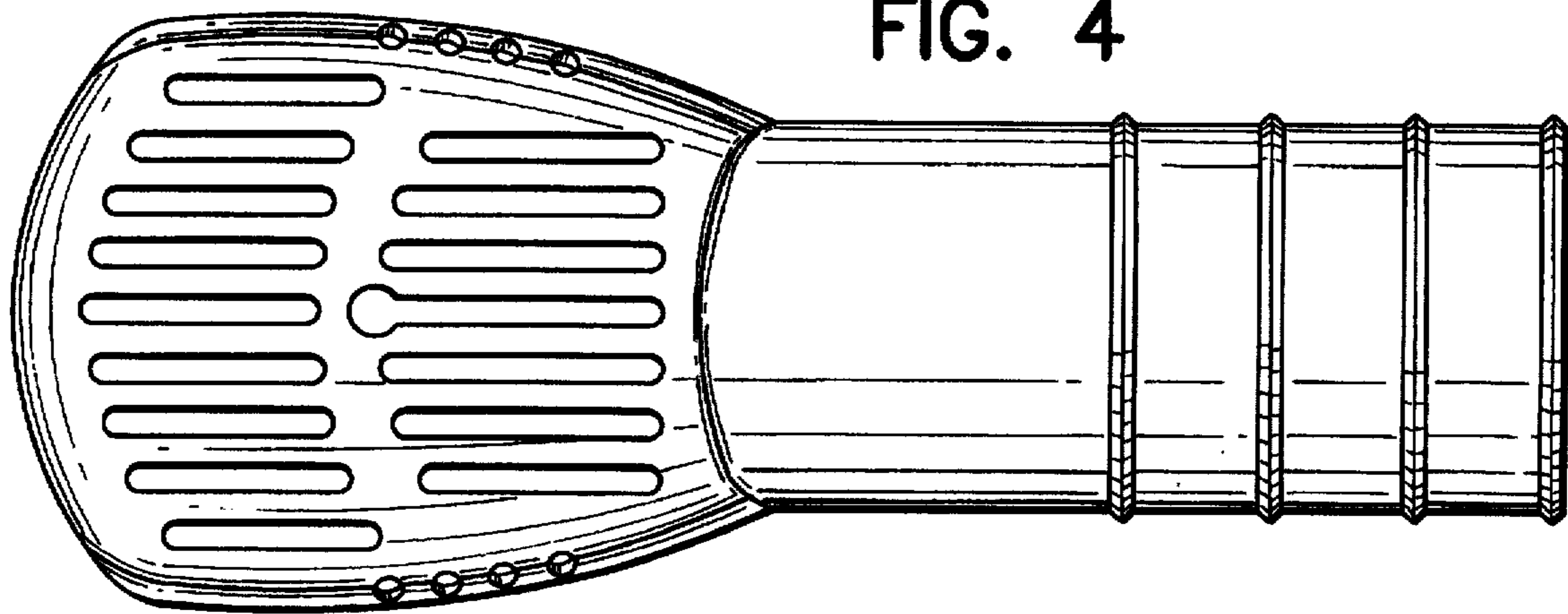


FIG. 4

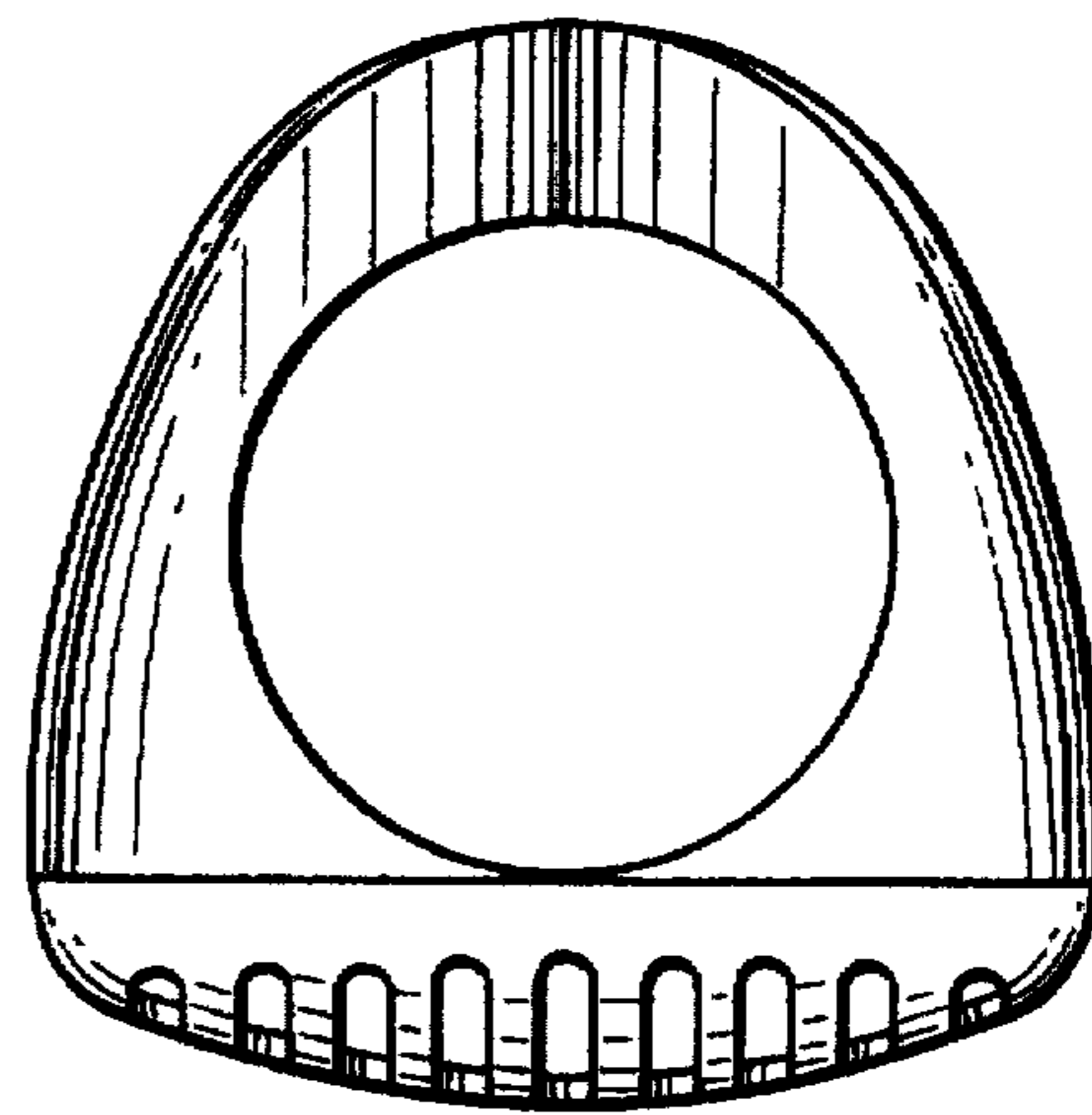


FIG. 5

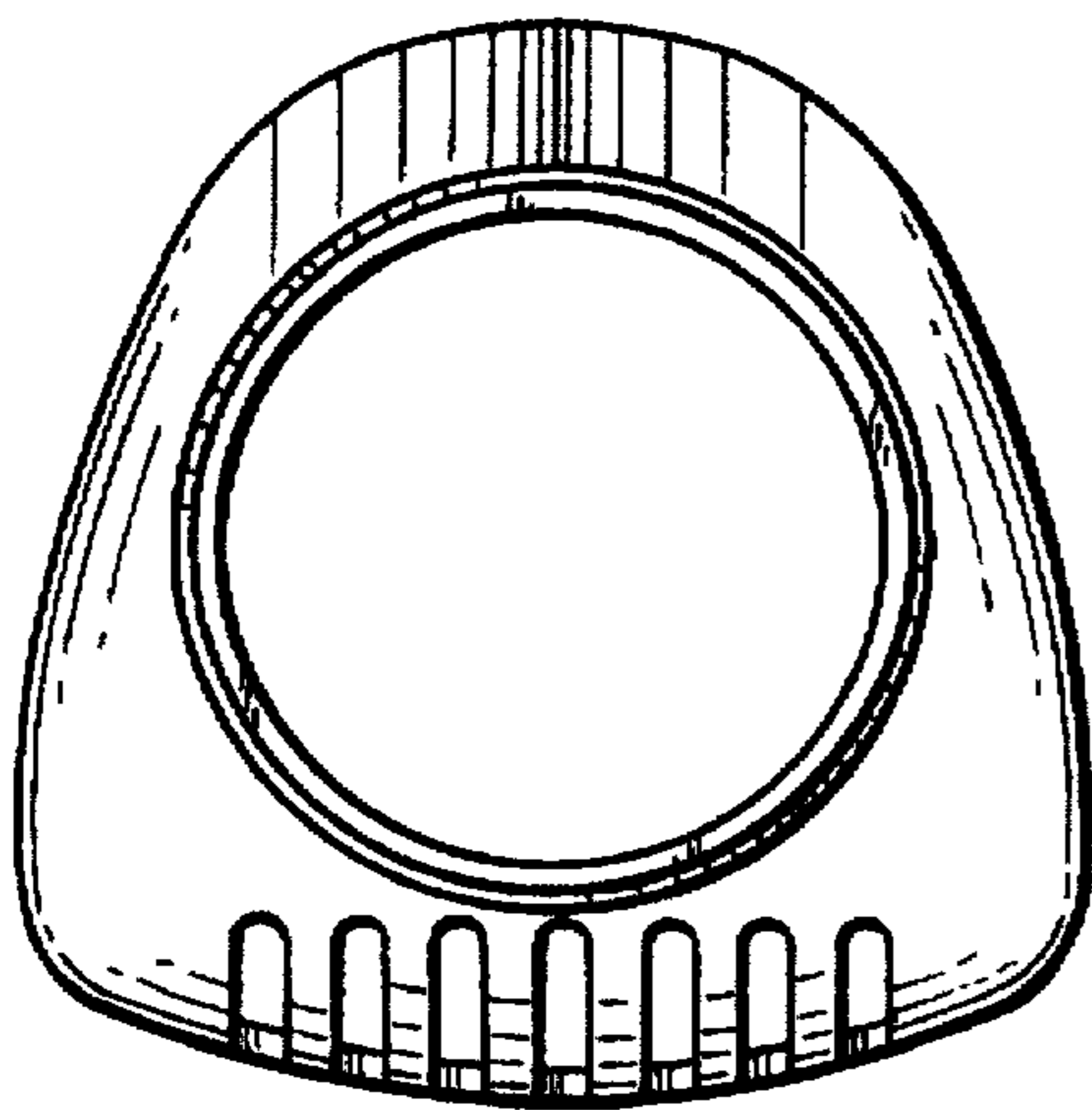


FIG. 6

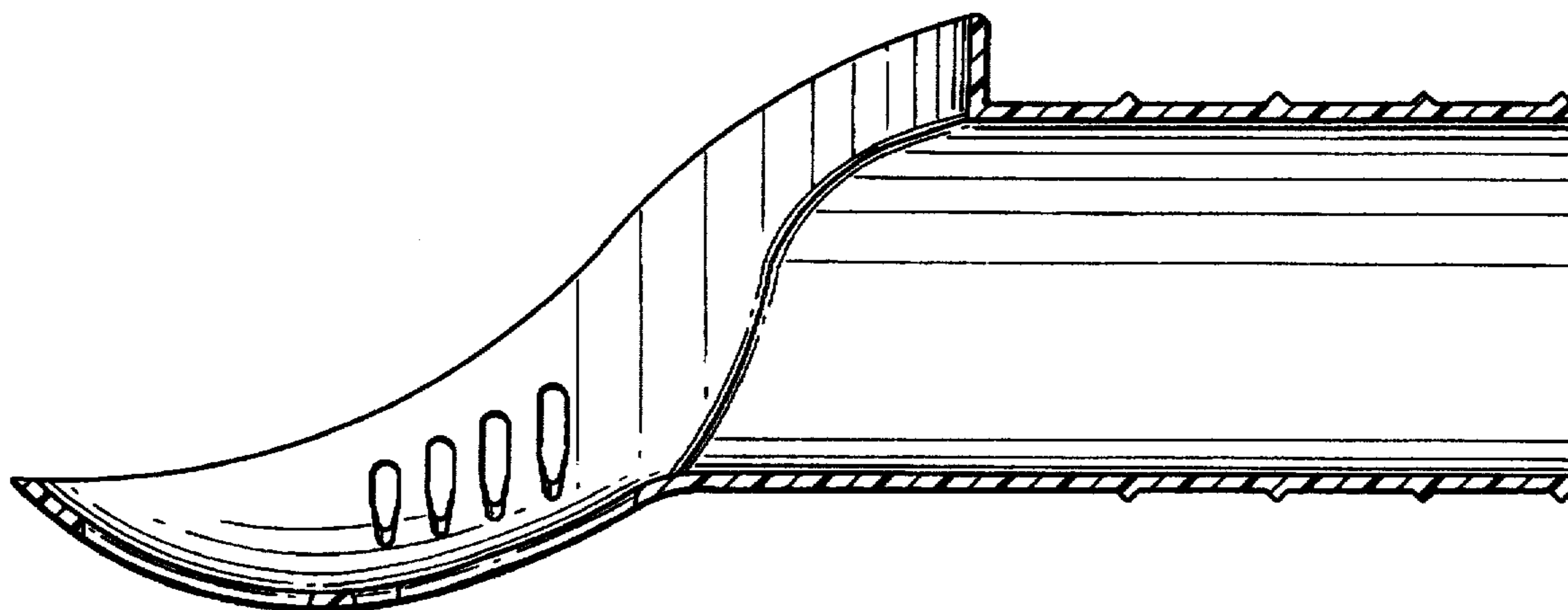


FIG. 7