



US00D387507S

United States Patent [19]
Willinger et al.

[11] **Patent Number: Des. 387,507**
[45] **Date of Patent: **Dec. 9, 1997**

[54] **PET SHELTER**

[75] **Inventors: Jonathan Willinger, Tenaflly, N.J.;
Vincent A. Baiera, Brooklyn, N.Y.**

[73] **Assignee: J.W. Holding Corp., Tenaflly, N.J.**

[**] **Term: 14 Years**

[21] **Appl. No.: 56,005**

[22] **Filed: Jun. 19, 1996**

[51] **LOC (6) Cl. 30-02**

[52] **U.S. Cl. D30/108; D30/161**

[58] **Field of Search 119/28.5, 484-485,
119/496-497, 500-501, 482; D30/108-109,
112, 161**

[56] **References Cited**

U.S. PATENT DOCUMENTS

D. 221,558	8/1971	Zimmerman	D30/118
D. 314,251	1/1991	Van Skiver	D30/109
D. 360,494	7/1995	Therriault	D30/118
2,579,797	12/1951	Churchfield et al.	119/28.5
2,782,758	2/1957	Turner	119/500
3,618,568	11/1971	Breeden	119/165
4,161,924	7/1979	Welker	119/482
4,962,729	10/1990	Barreto et al.	119/482
5,002,012	3/1991	Pierrot	119/28.5
5,211,130	5/1993	Elias et al.	119/28.5
5,337,700	8/1994	Taft	119/168
5,394,835	3/1995	Galta	119/170
5,448,965	9/1995	McClure	119/485

FOREIGN PATENT DOCUMENTS

2408301 6/1979 France D30/118

OTHER PUBLICATIONS

Carriere & Associates Technologies, Inc. brochure for Chateau Chat Playhouse. Sporting Goods Dealer; Jul. 1936; p. 95; Portable Dog Kennel.

Primary Examiner—Cathy Anne MacCormac
Attorney, Agent, or Firm—Helfgott & Karas, P.C.

[57] **CLAIM**

The ornamental design for a pet shelter, as shown and described.

DESCRIPTION

FIG. 1 is a rear perspective view of a pet shelter showing our new design;

FIG. 2 is a front perspective view thereof;

FIG. 3 is a front elevation view thereof;

FIG. 4 is a left side elevation view thereof, the right side being an identical image thereto;

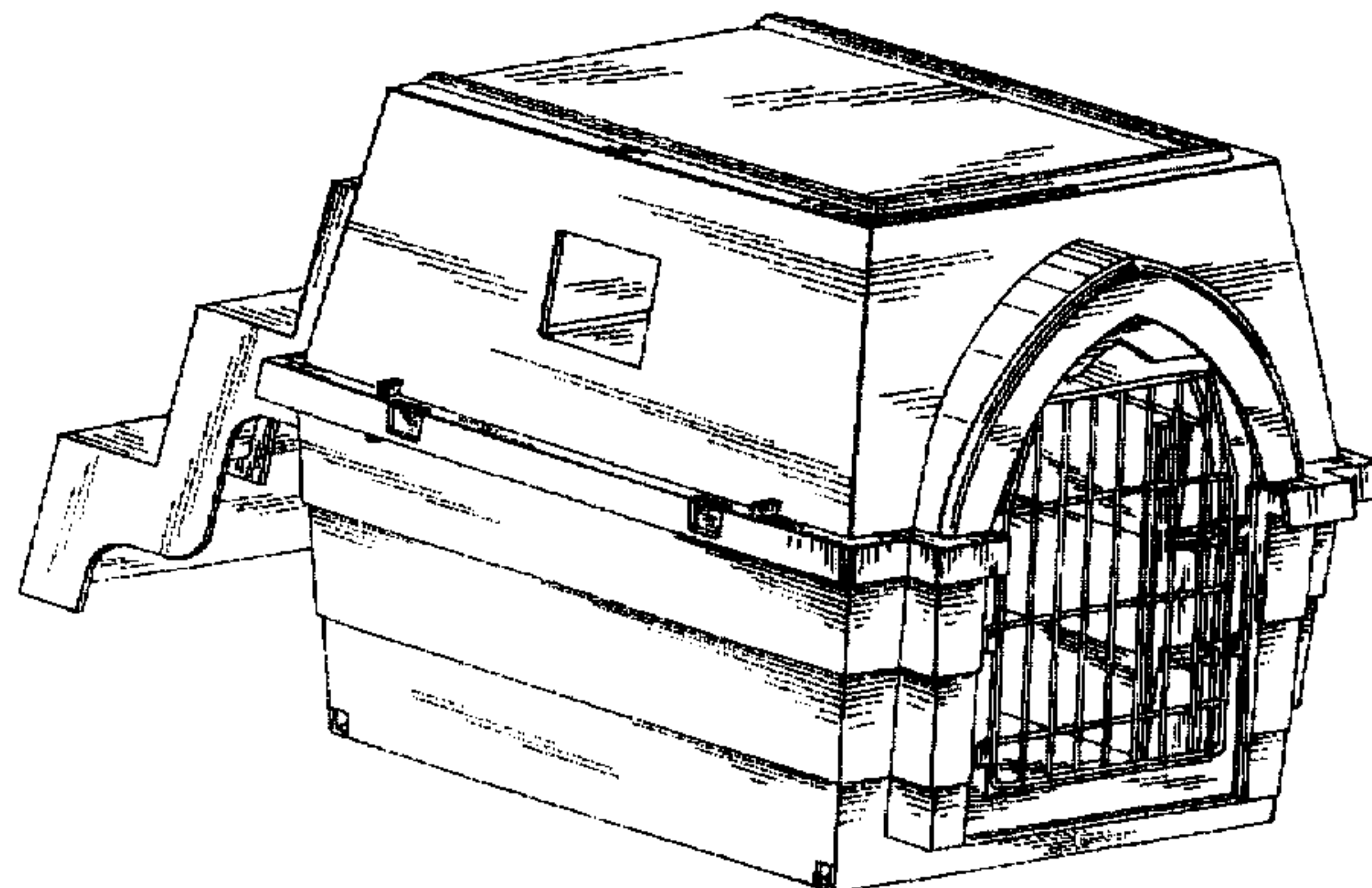
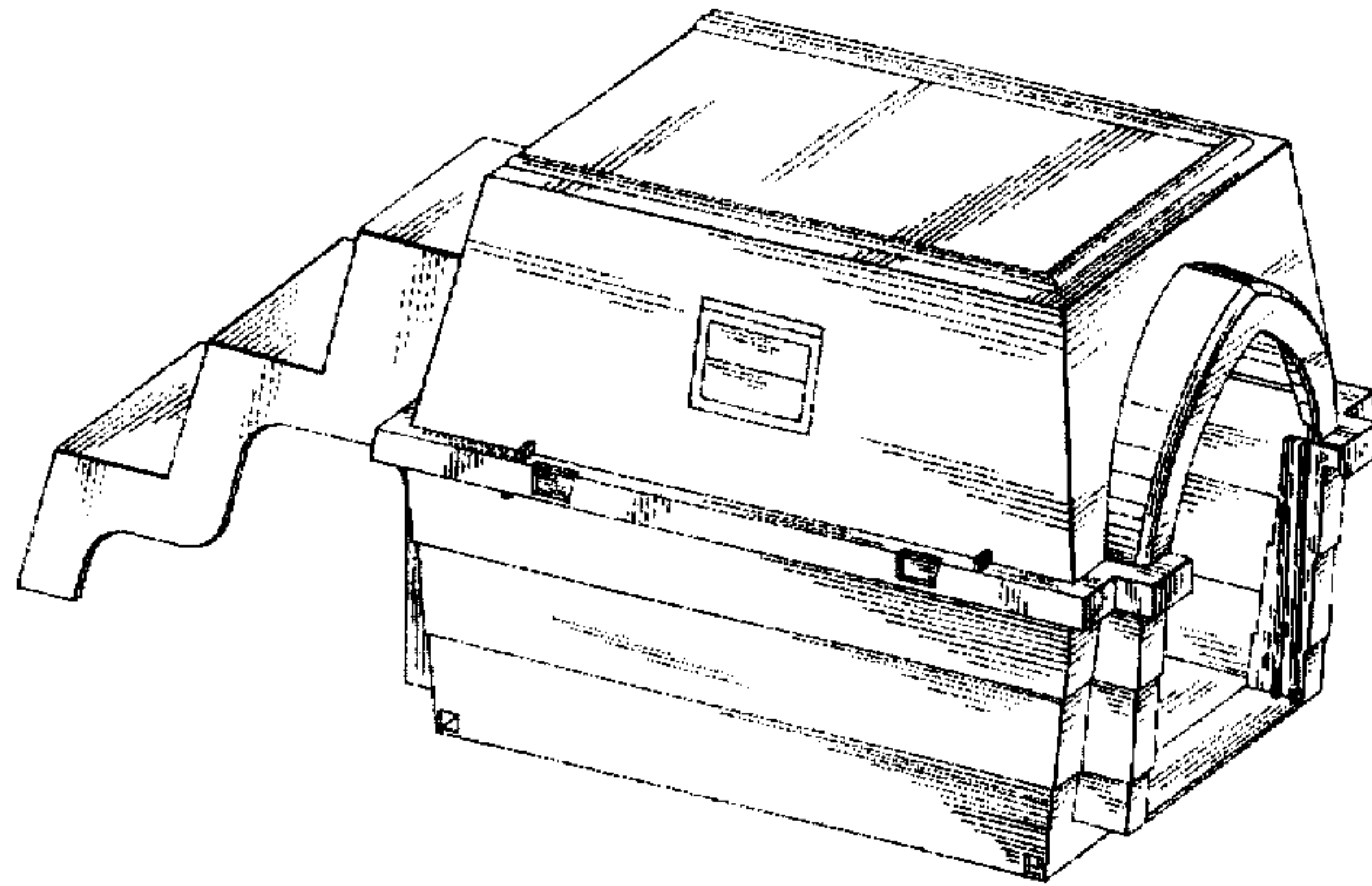
FIG. 5 is a rear elevation view thereof;

FIG. 6 is a top plan view thereof;

FIG. 7 is a front perspective view of a second embodiment of FIG. 1; and,

FIG. 8 is a front elevation view thereof, the remaining views of the second embodiment being identical to the pet shelter as shown in FIGS. 1, 4, 5 and 6.

1 Claim, 8 Drawing Sheets



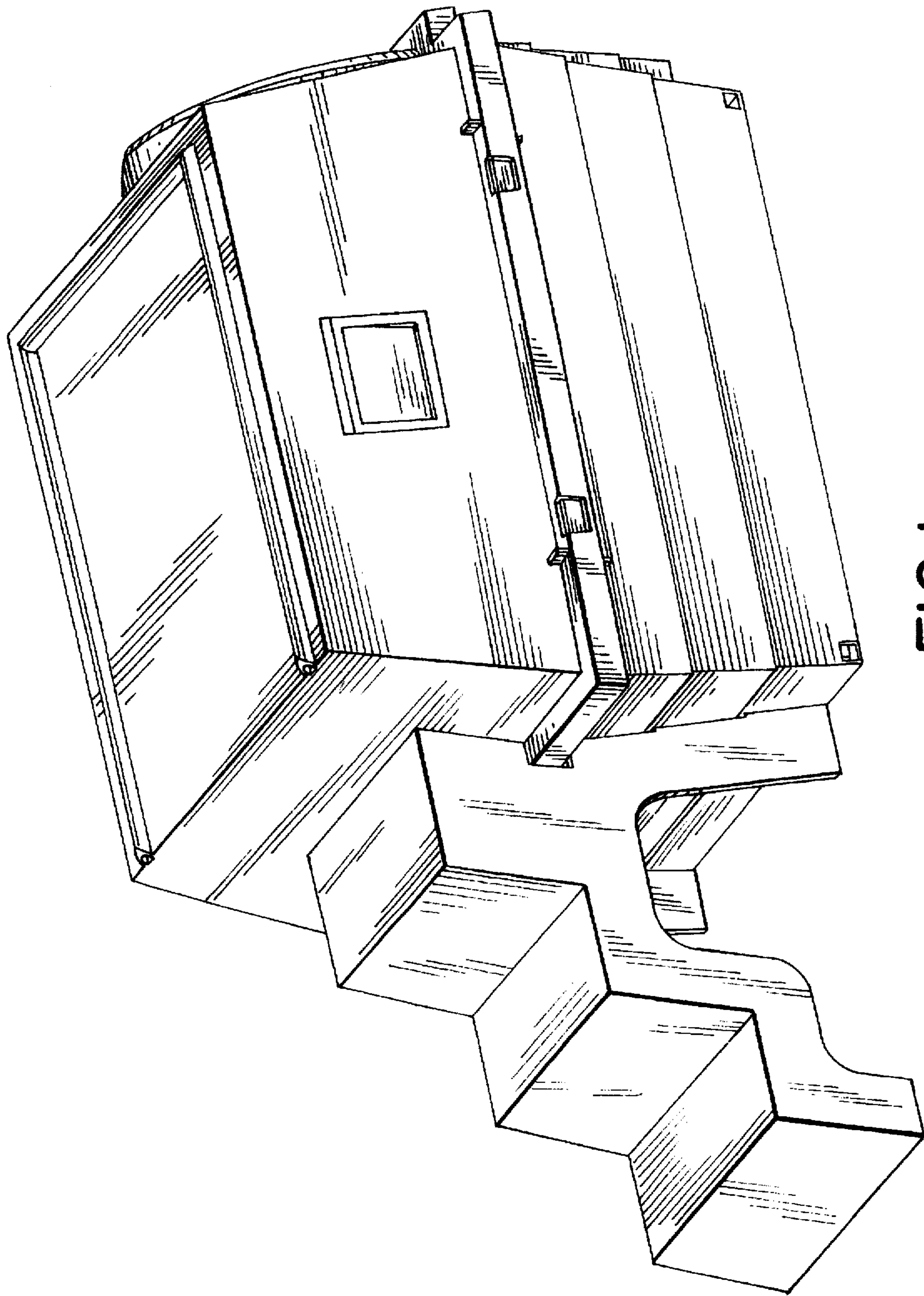


FIG. 1

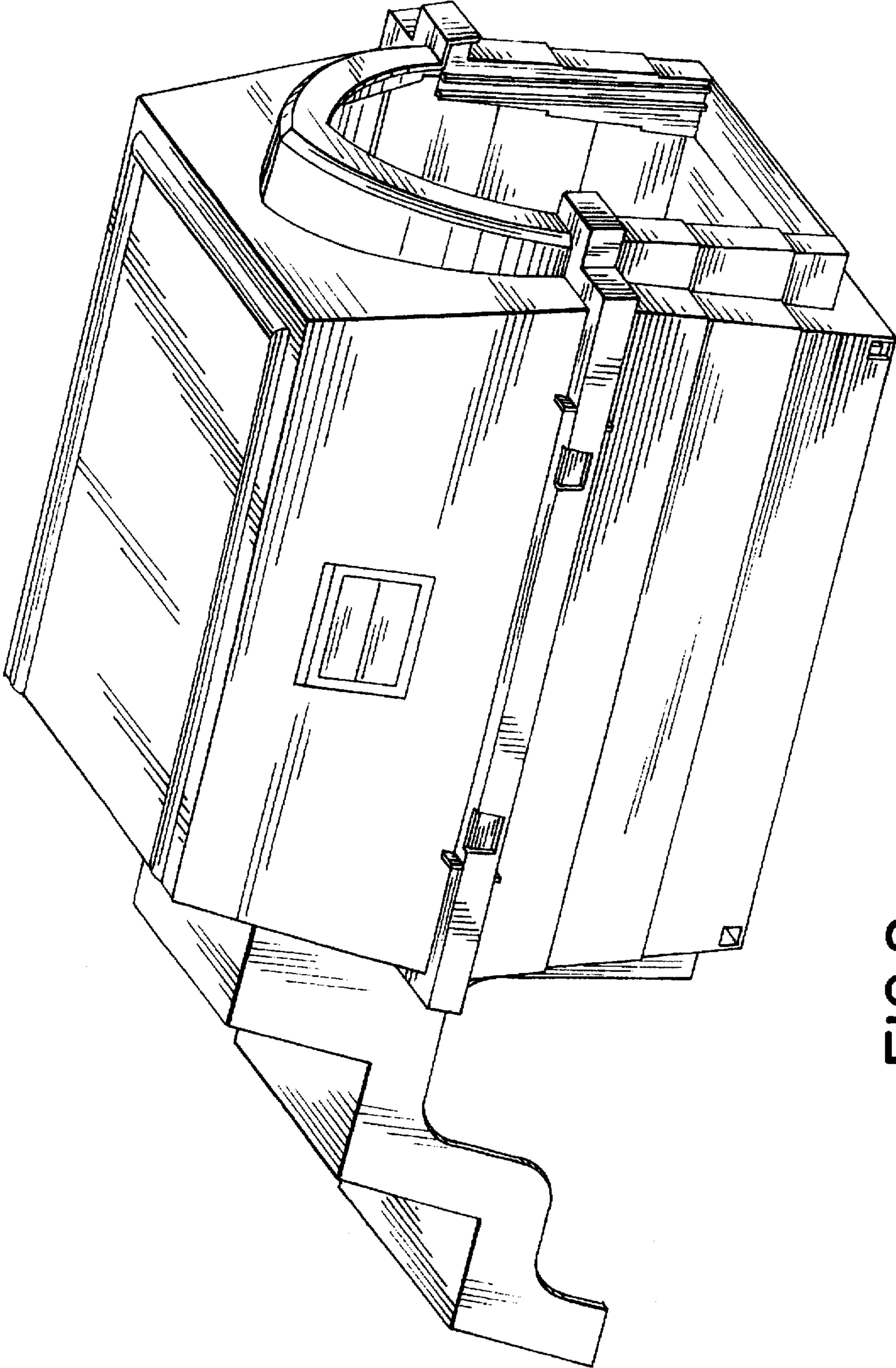


FIG.2

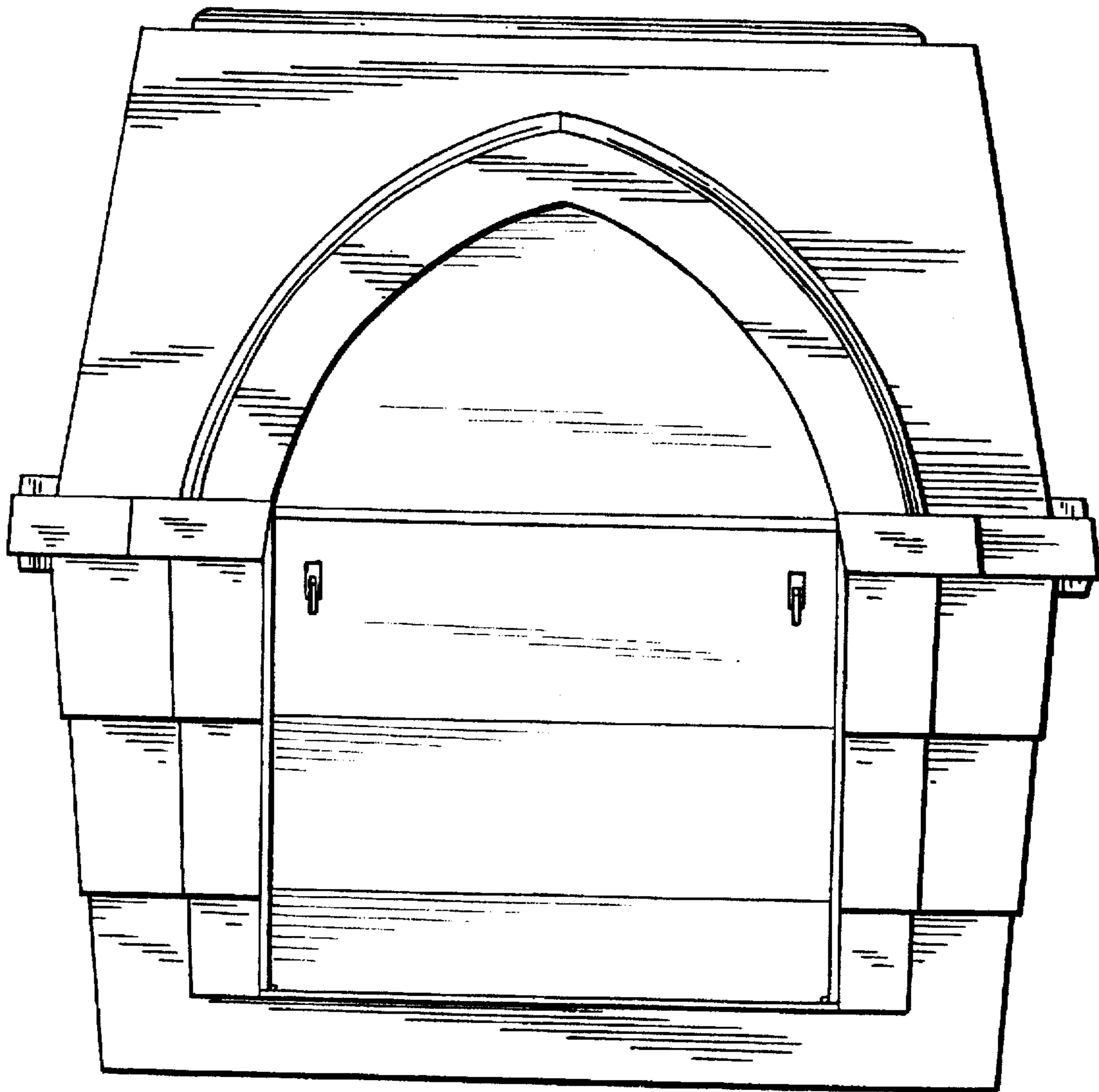


FIG. 3

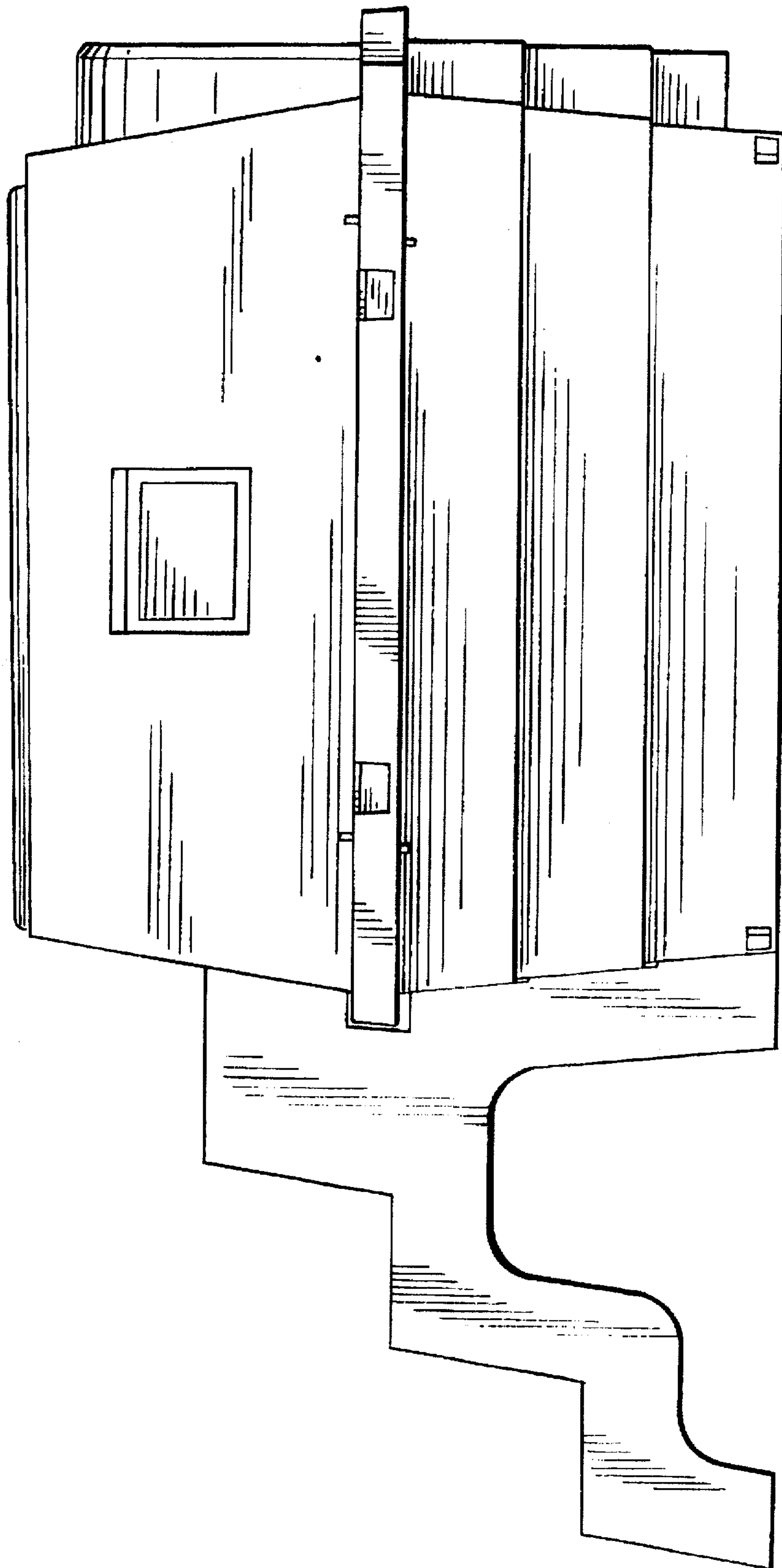


FIG.4

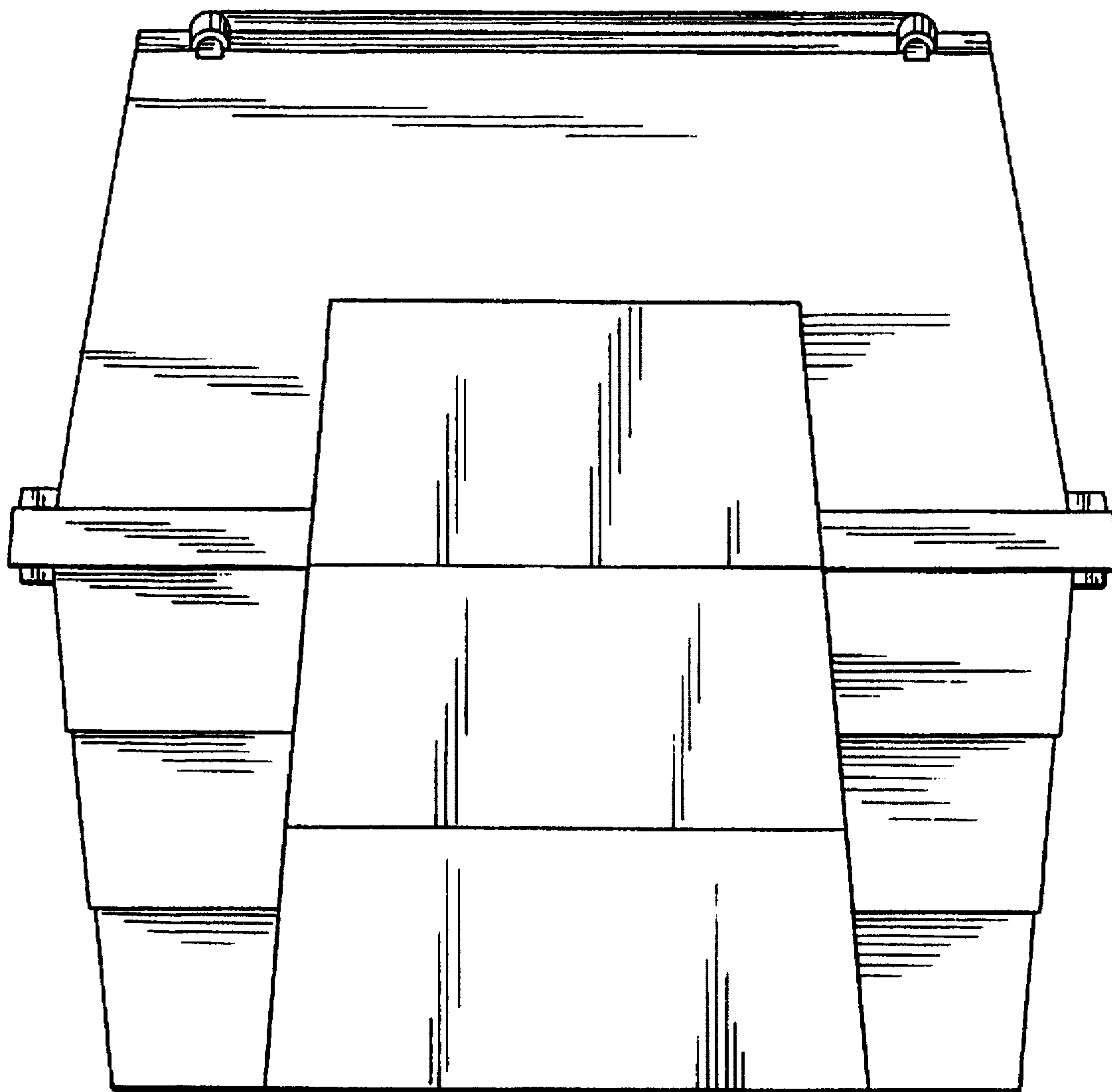


FIG. 5

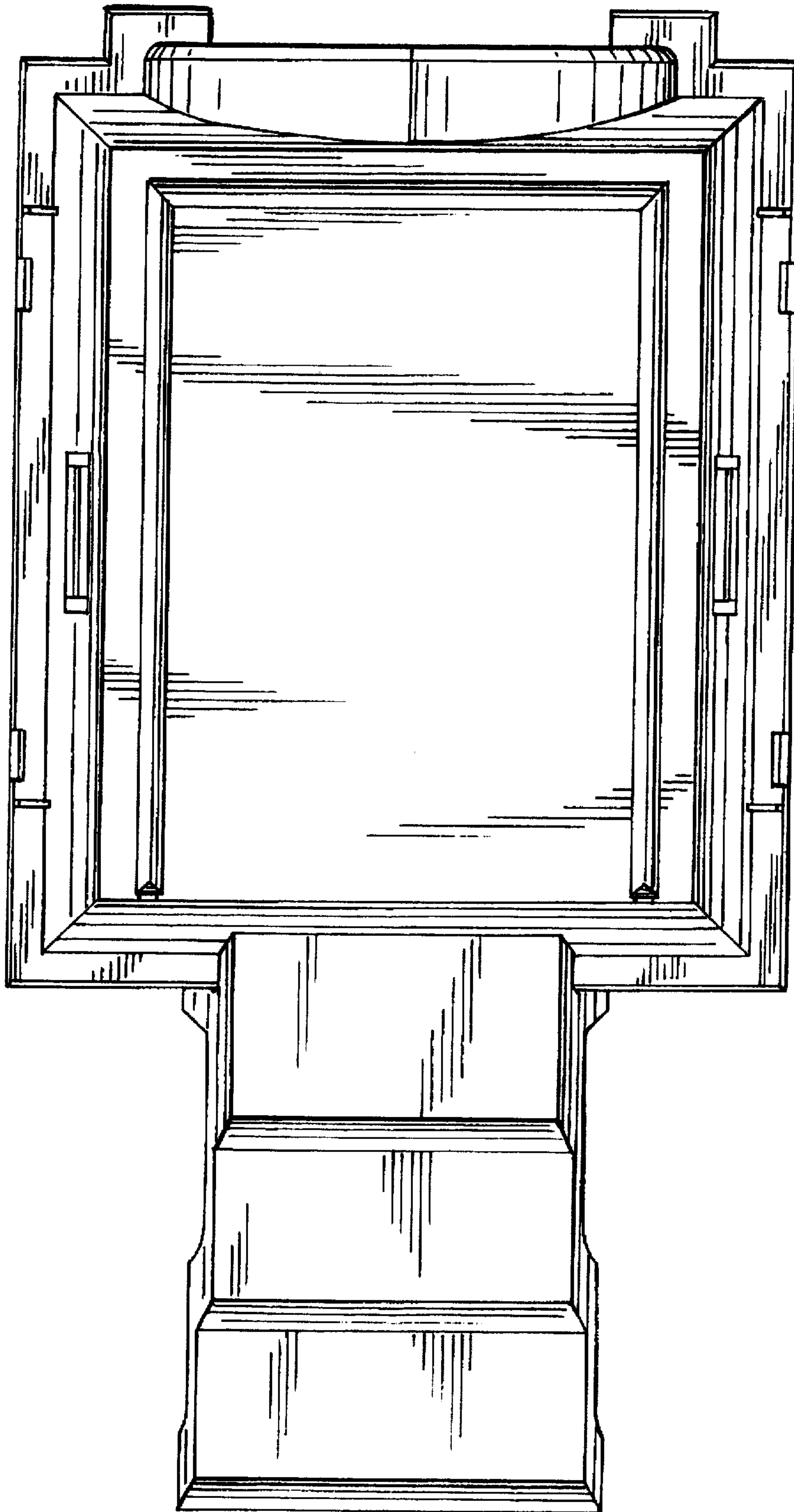


FIG.6

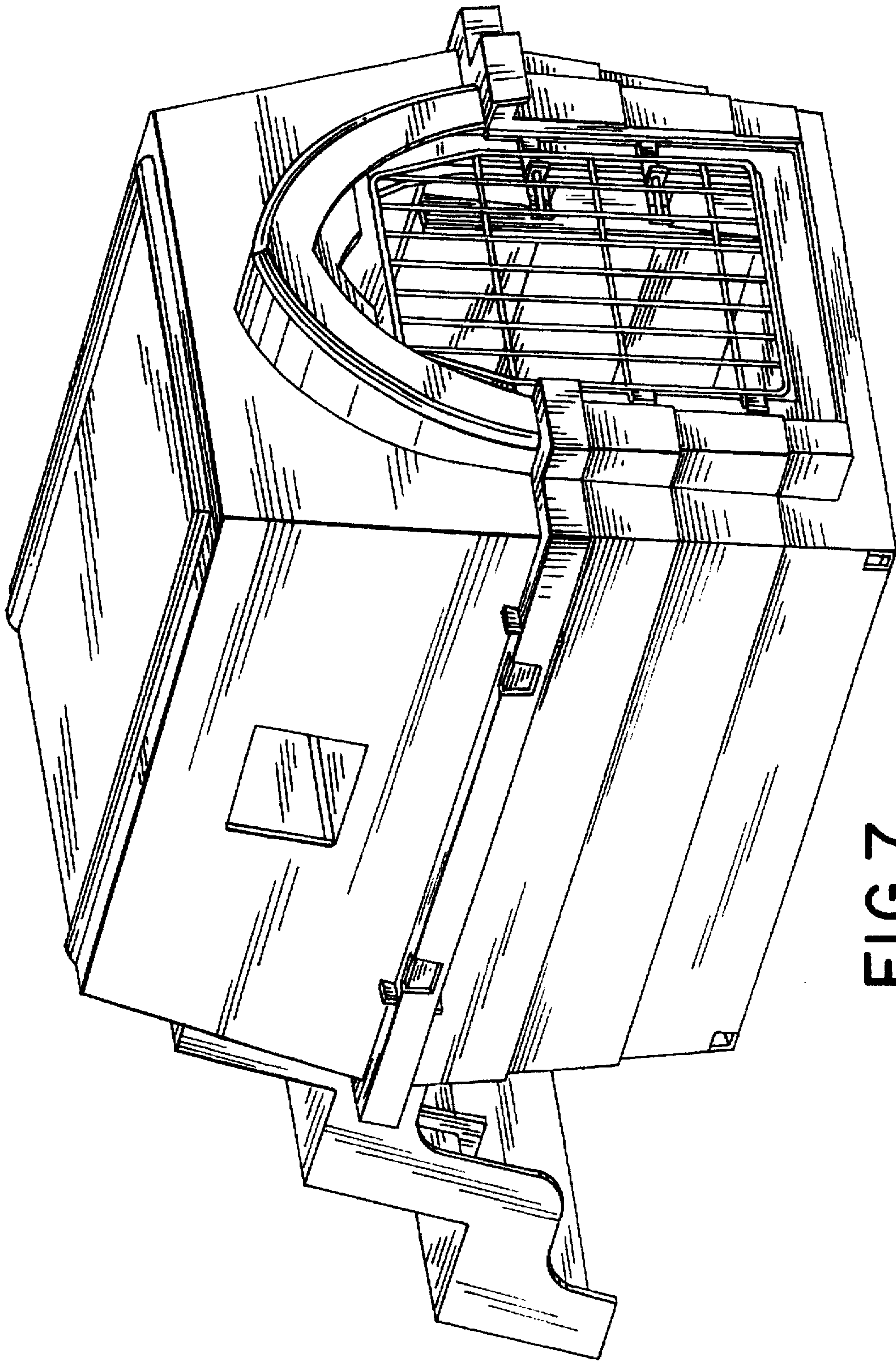


FIG. 7

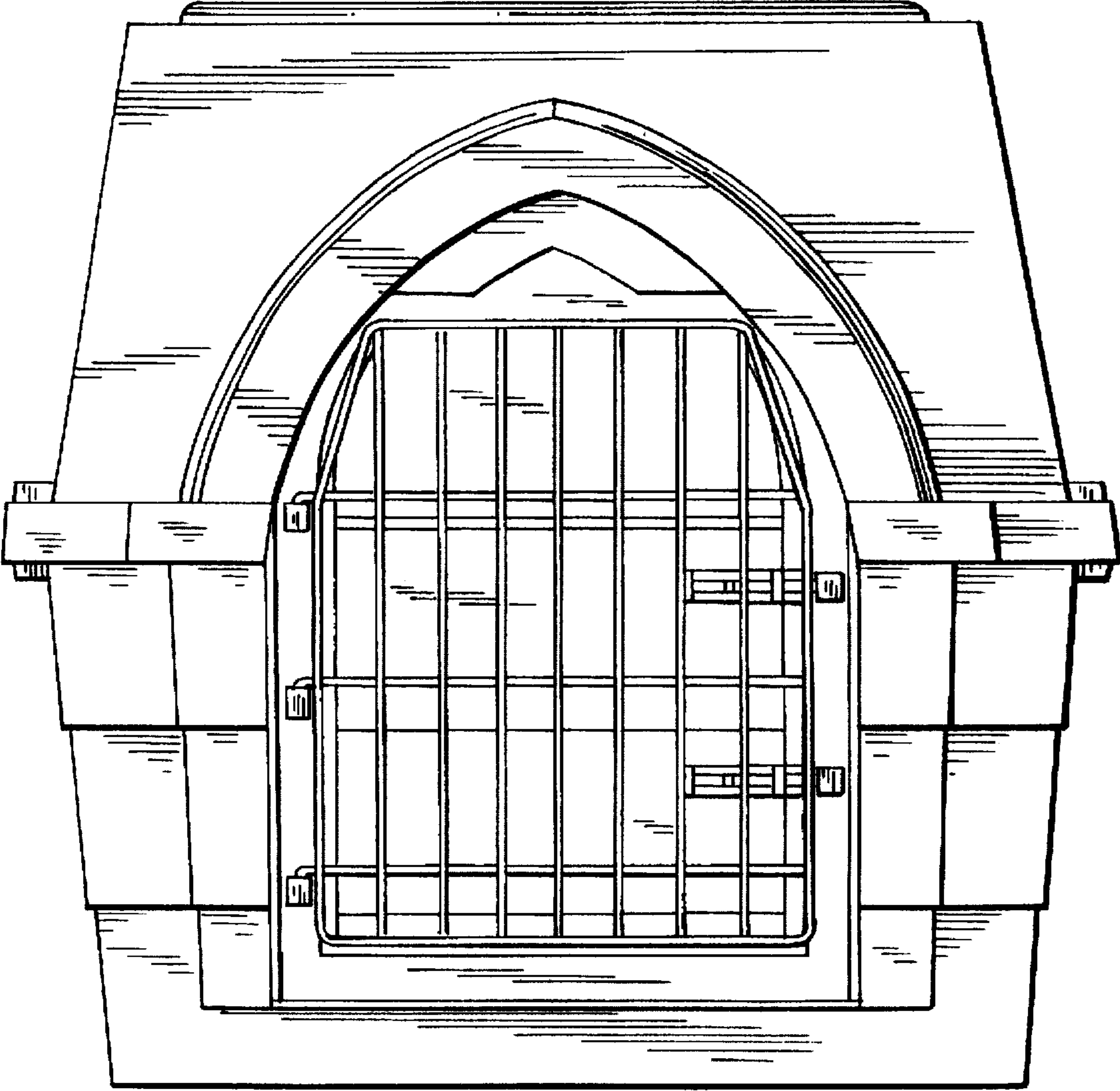


FIG.8