



US00D387497S

United States Patent [19]
Guiliano

[11] **Patent Number: Des. 387,497**

[45] **Date of Patent: **Dec. 9, 1997**

[54] **HAIR STYLING IMPLEMENT ORGANIZER**

1,909,543 5/1933 Jordan 211/1 X
3,788,487 1/1974 Dawson 211/49.1

[76] **Inventor: Laura Guiliano, 11 5th Ave. South,
Huntington Station, N.Y. 11746**

Primary Examiner—Ted Shooman
Assistant Examiner—C. Tuttle

[**] **Term: 14 Years**

[57] **CLAIM**

[21] **Appl. No.: 42,745**

The ornamental design for a hair styling implement organizer, as shown and described.

[22] **Filed: Aug. 16, 1995**

DESCRIPTION

[51] **LOC (6) CL 28-03**

[52] **U.S. CL D28/73**

[58] **Field of Search D28/61, 73, 75;
D6/449, 466, 467, 469, 474-476, 512, 329;
D3/313; 211/1, 128, 13, 49.1, 126; 206/581**

FIG. 1 is a front perspective view of a hair styling implement organizer embodying my new design;
FIG. 2 is a frontal view thereof;
FIG. 3 is a rear view thereof;
FIG. 4 is a right side view thereof;
FIG. 5 is an top view thereof; and,
FIG. 6 is a bottom view thereof.

[56] **References Cited**

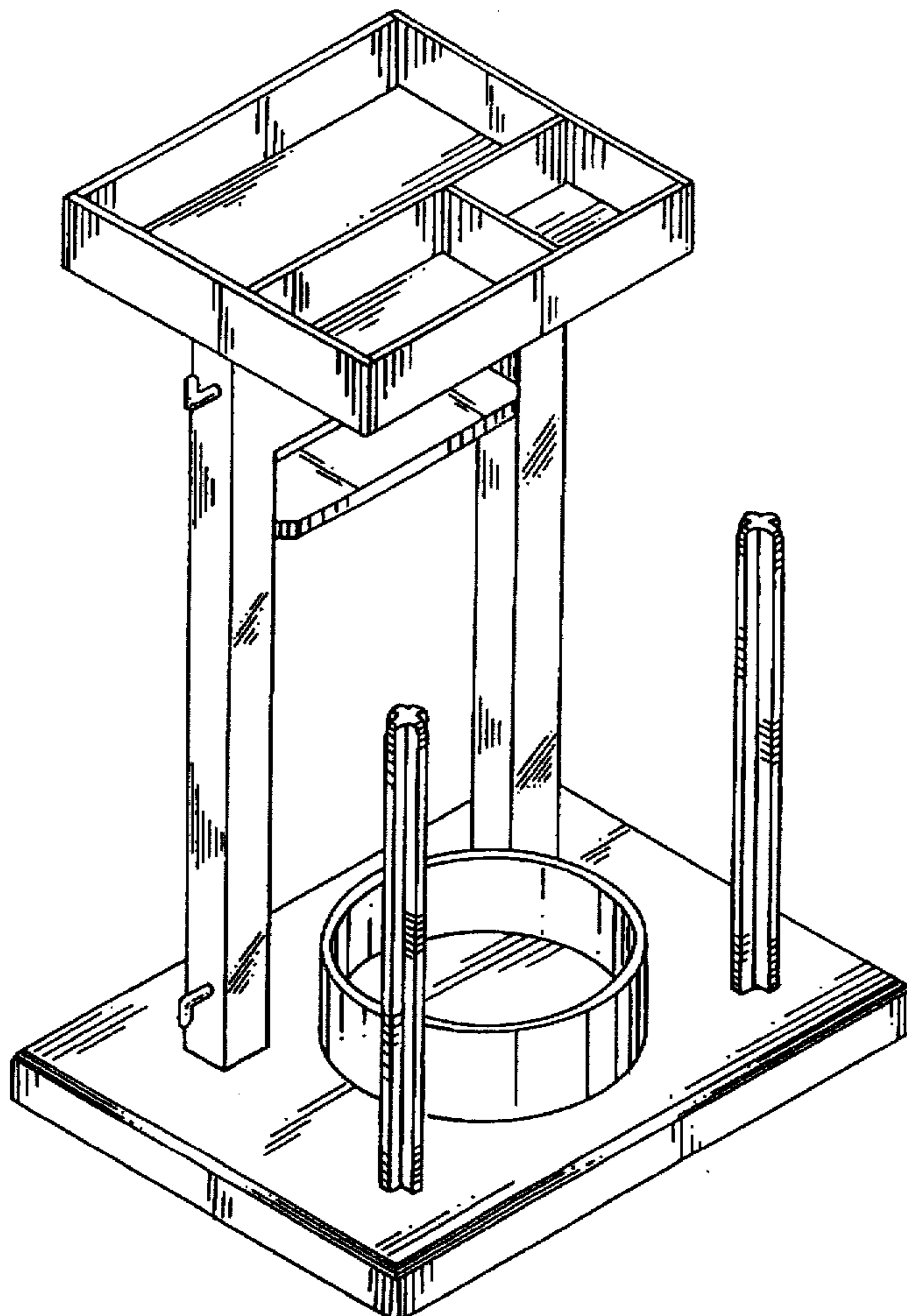
U.S. PATENT DOCUMENTS

D. 41,431	6/1911	Gloehler	D6/476
D. 63,338	1/1923	Weigel	D28/61
D. 70,200	5/1926	Weigel	D28/61
D. 131,509	3/1942	Fulton	D6/411
D. 136,838	12/1943	Ressinger	D6/476 X
D. 212,995	12/1968	Myers	D6/469 X
566,495	8/1896	Cary	211/1

The broken lines showing the rectangular supports in FIGS. 2 and 3 are for illustrative purposes only and form no part of the claimed design.

The undisclosed surfaces of the article illustrated in FIGS. 1-7 form no part of the claimed design.

1 Claim, 4 Drawing Sheets



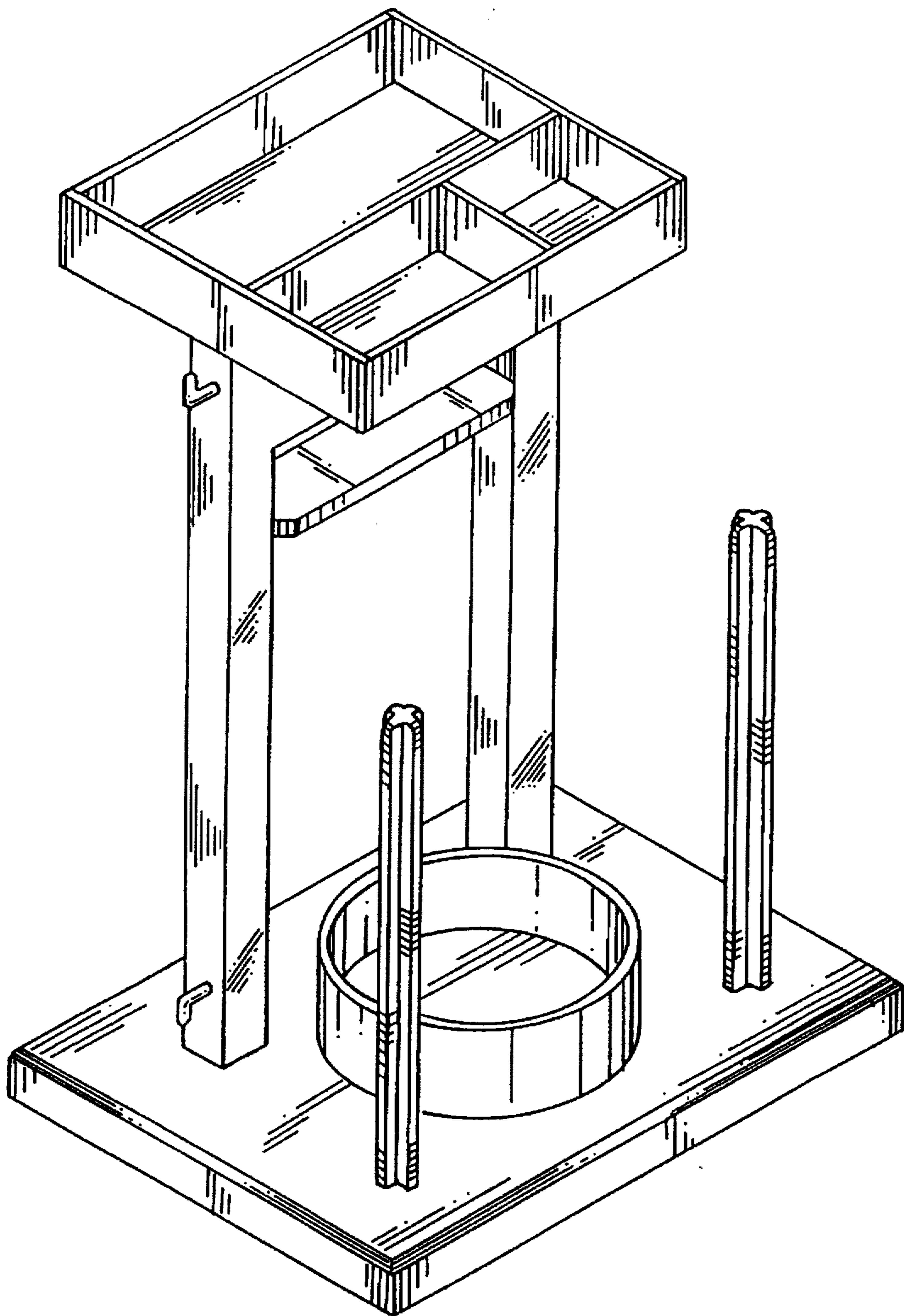


FIG. 1

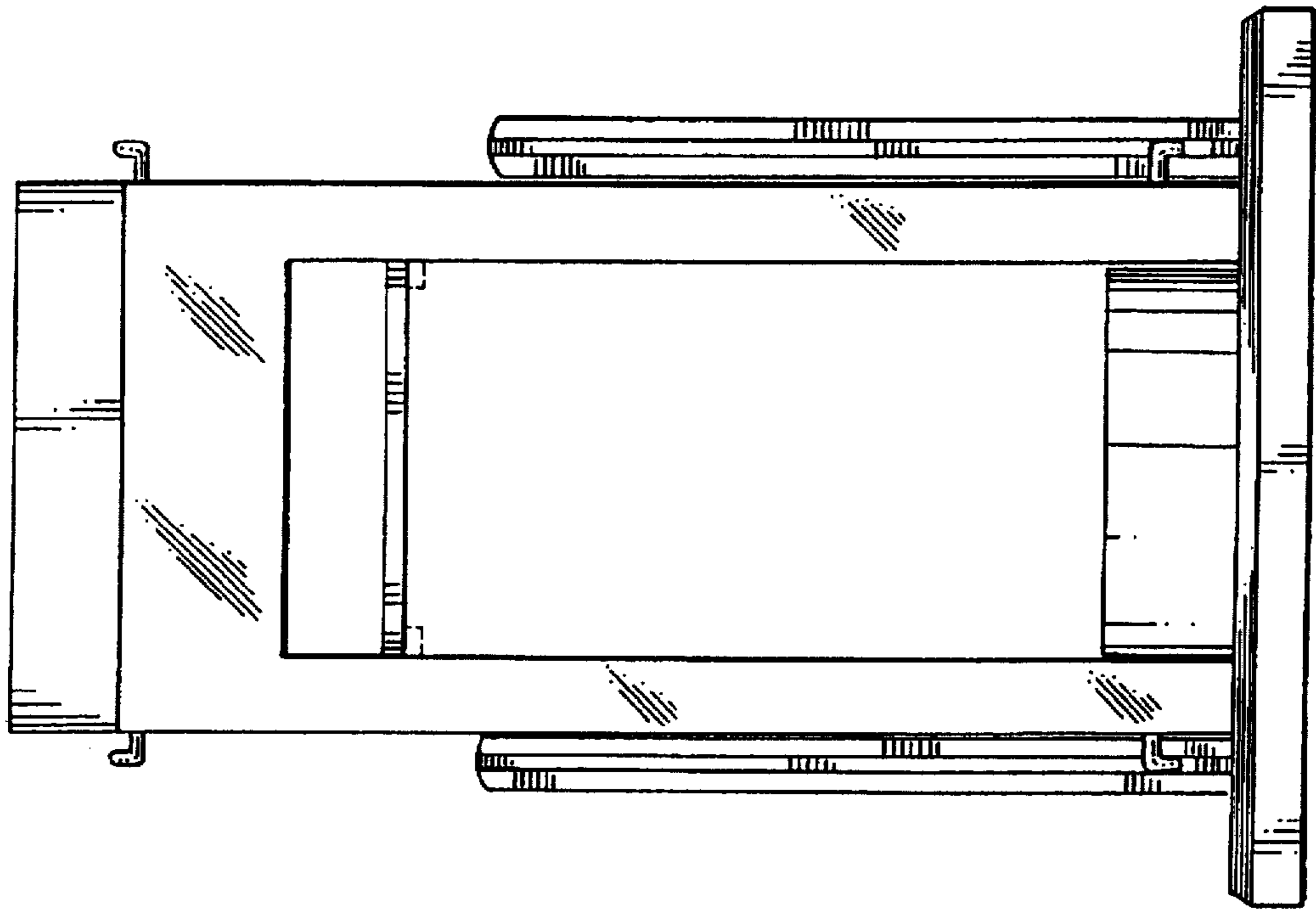


FIG. 3

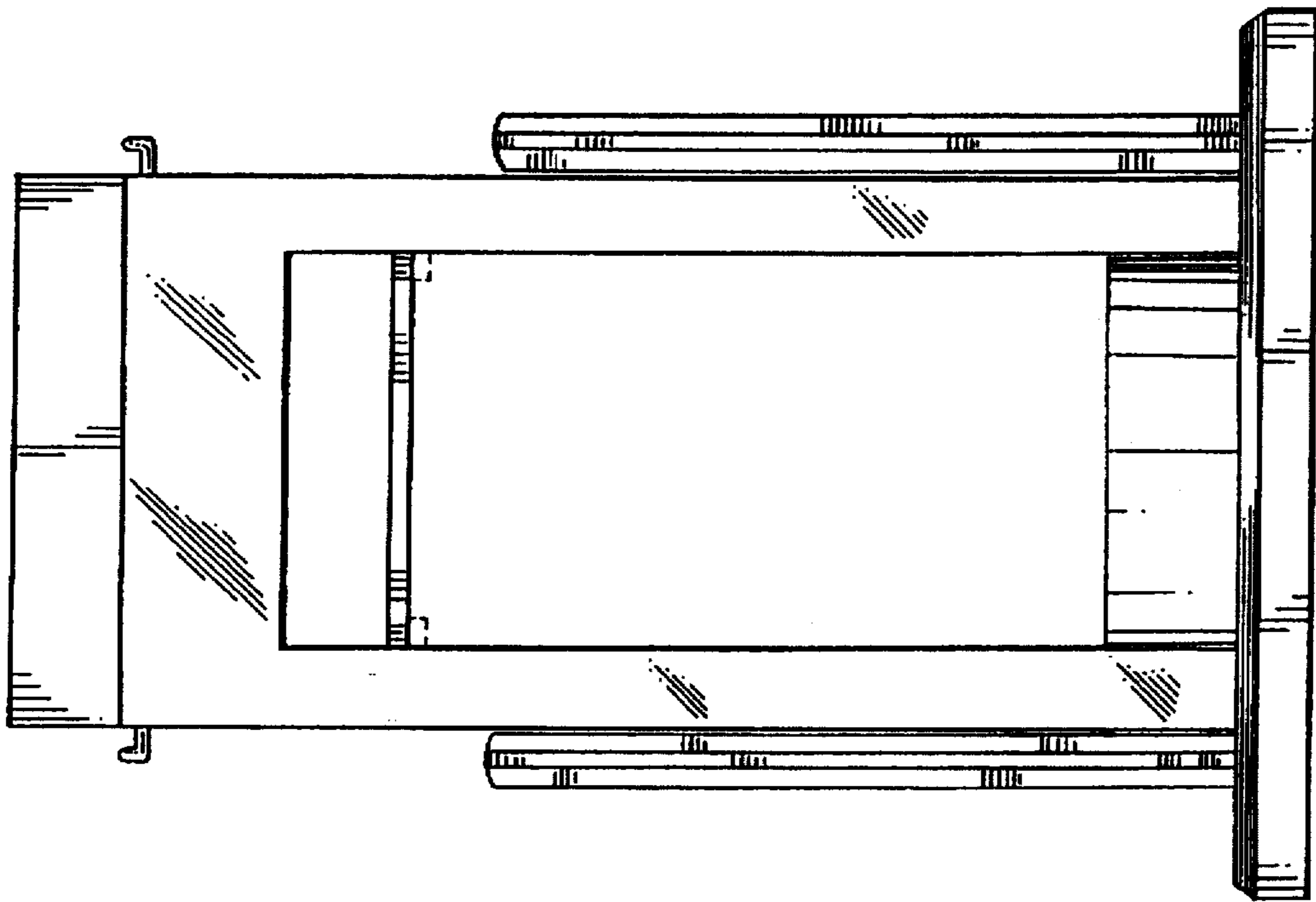


FIG. 2

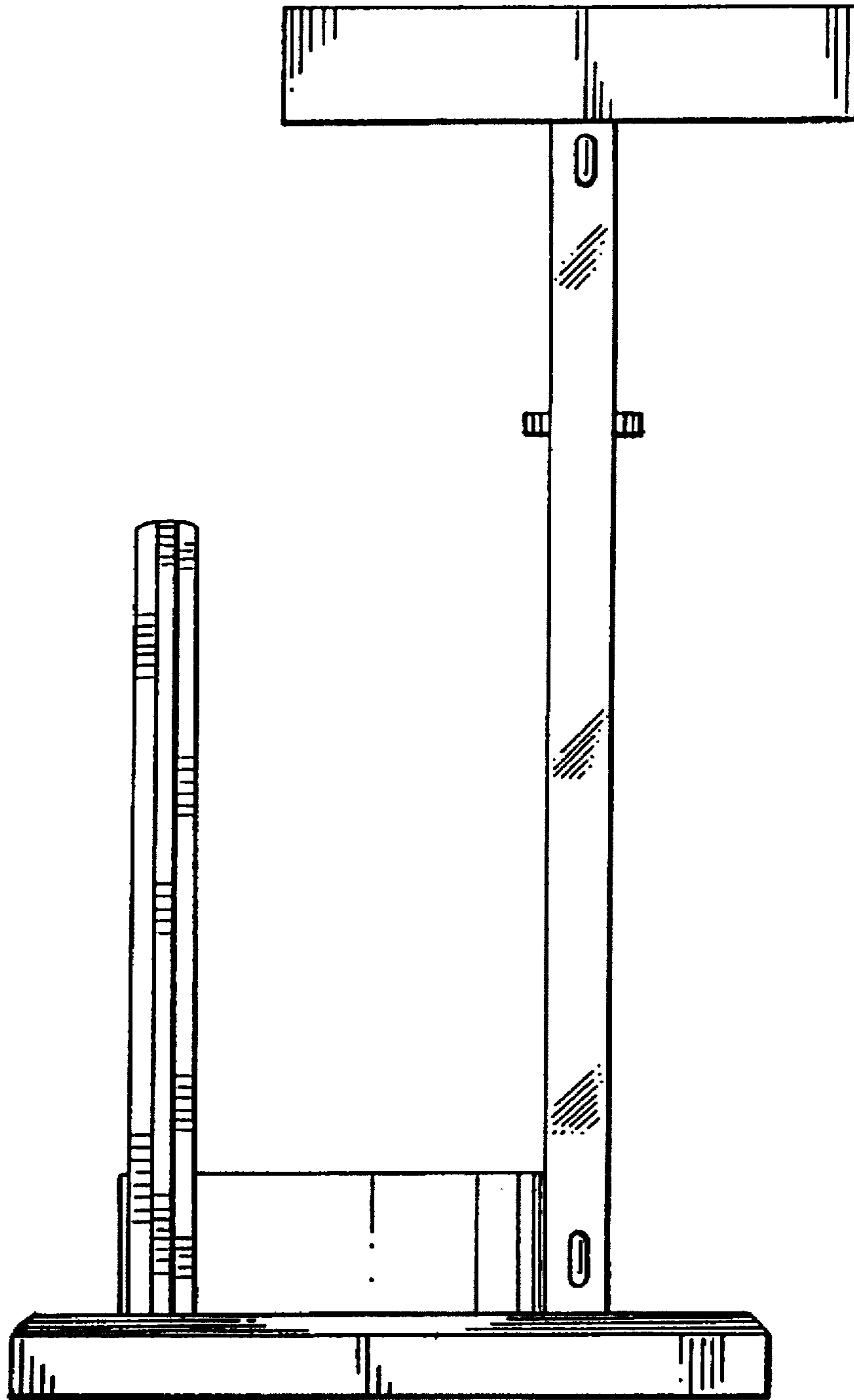


FIG. 4

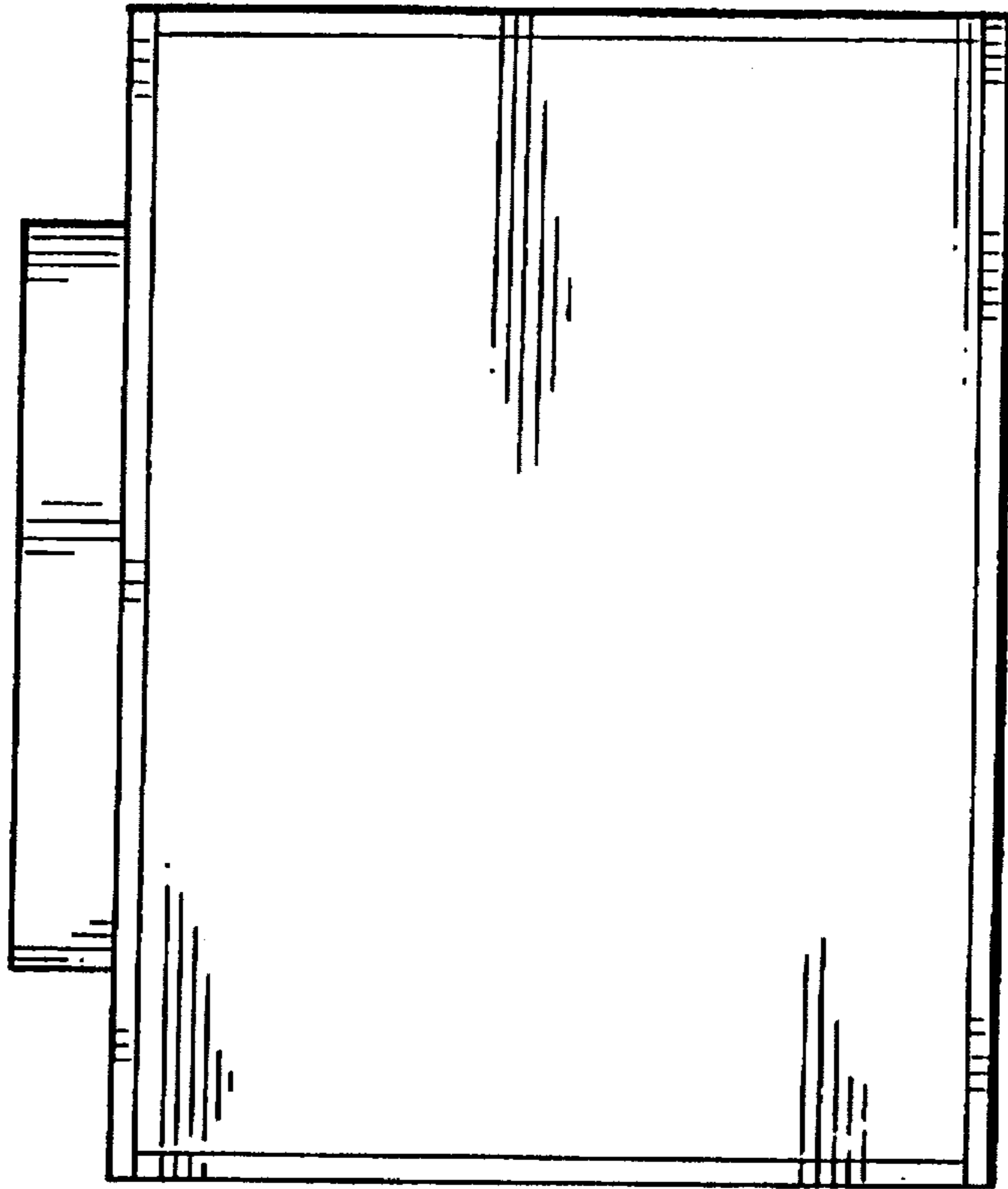


FIG. 6

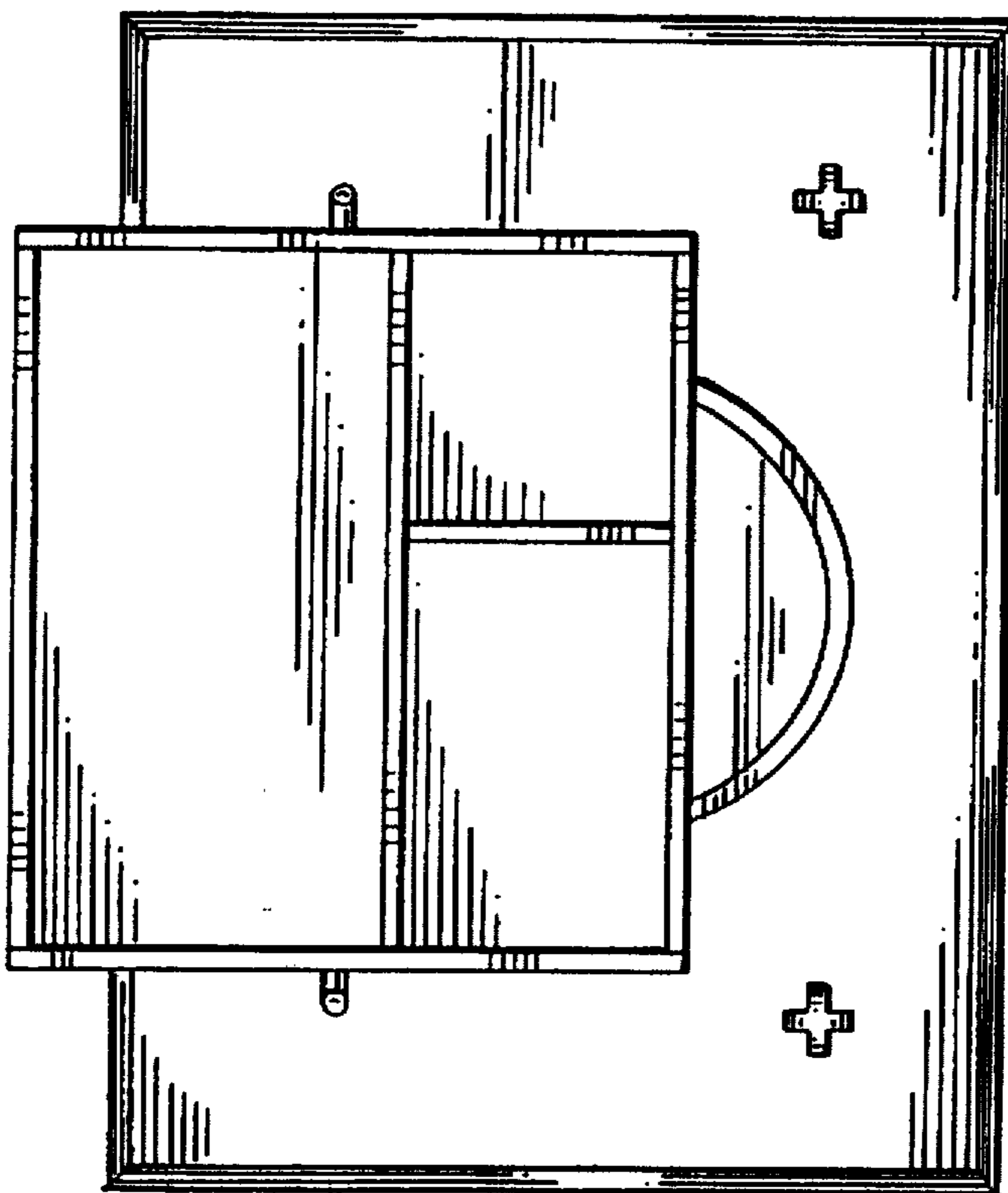


FIG. 5